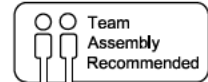
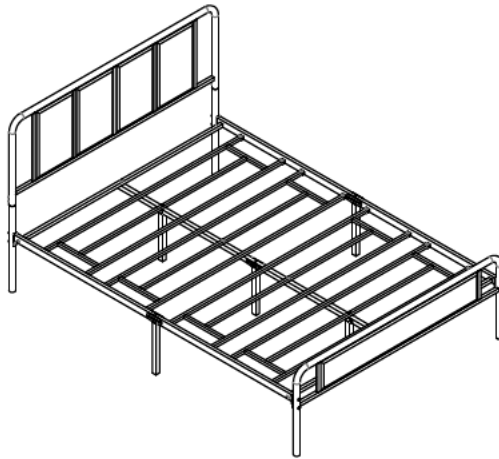


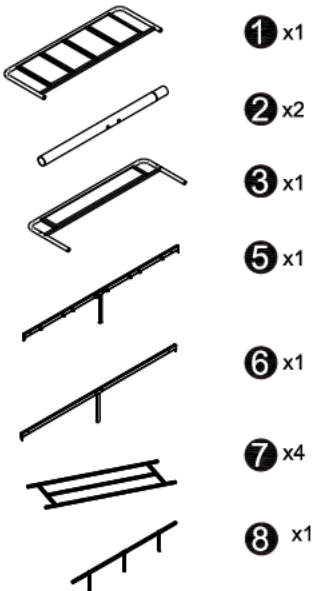
Bed Frame Installation Manual

#Number System

Easy assembly by following 1,2,3...



Componets

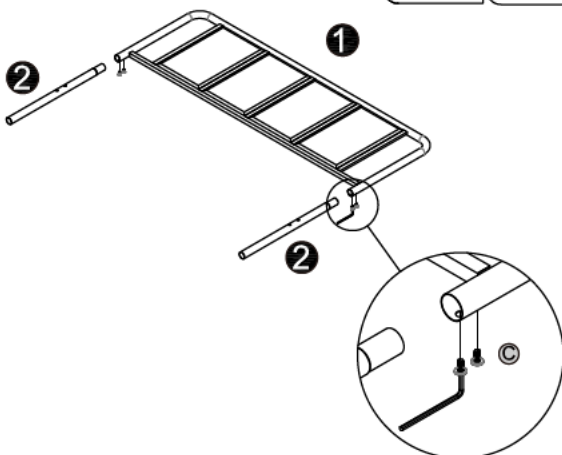


Screws & Tools

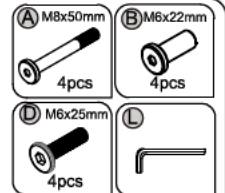
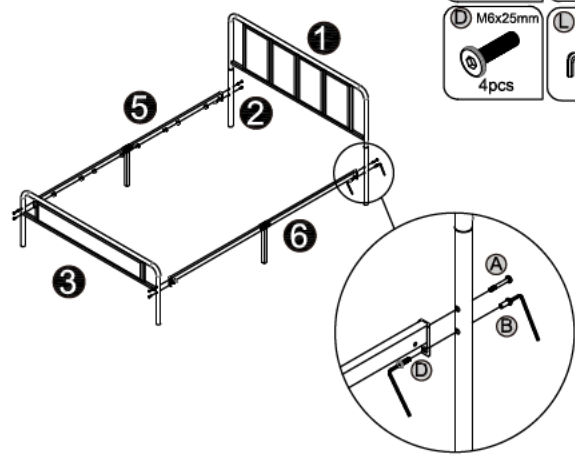
(A)		M8x50mm	x4
(B)		M6xØ8x22mm	x4
(C)		M6x15mm	x4
(D)		M6x25mm	x20
(E)		M6x35mm	x8
(F)		M6x55mm	x2
(L)		M4	x2

9 x2

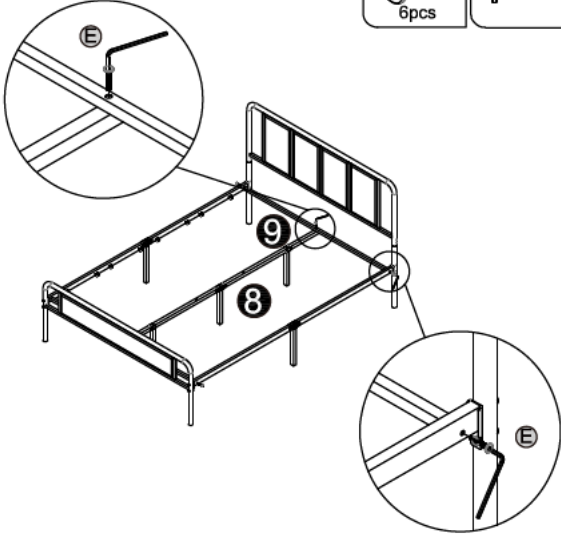
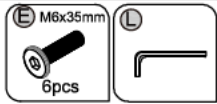
1 Headboard assembly



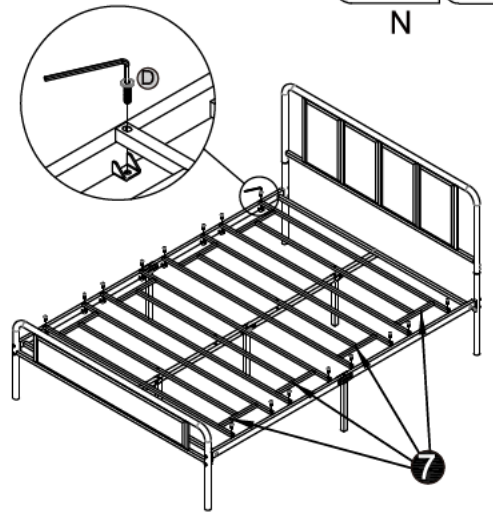
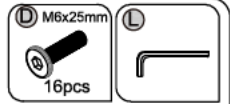
2 Connect 5 & 6



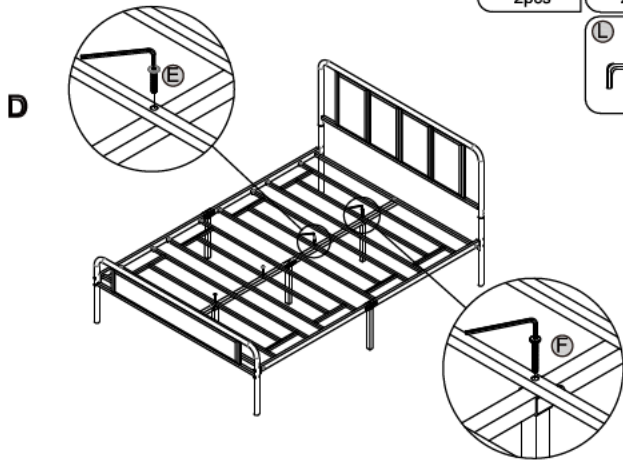
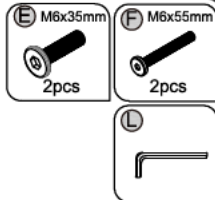
3 Connect **8** & **9**



4 Connect **7** X 4



5 Lock the 4 middle screws



6 Check and tighten all screws

