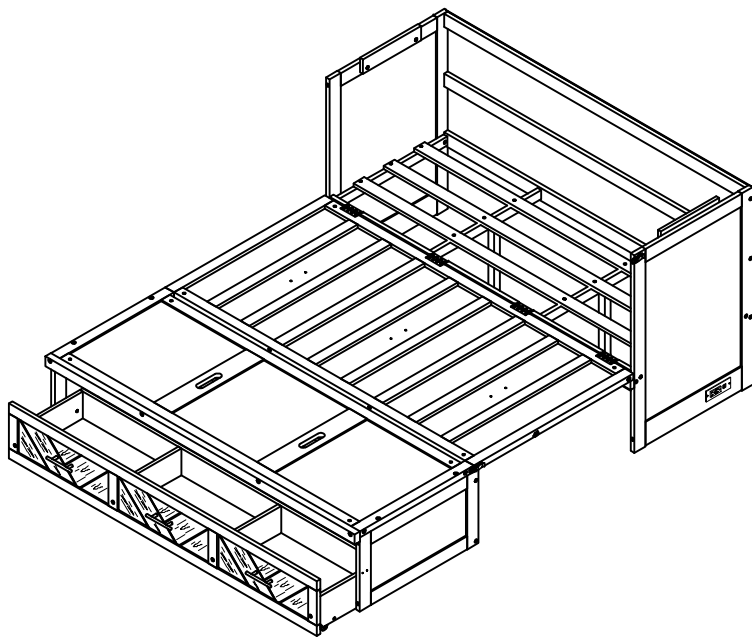


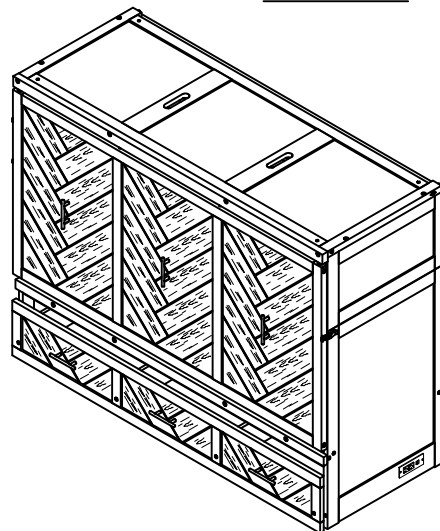
ASSEMBLY INSTRUCTIONS

QUEEN MURPHY CABINET BED WITH DRAWER

TYPE 1

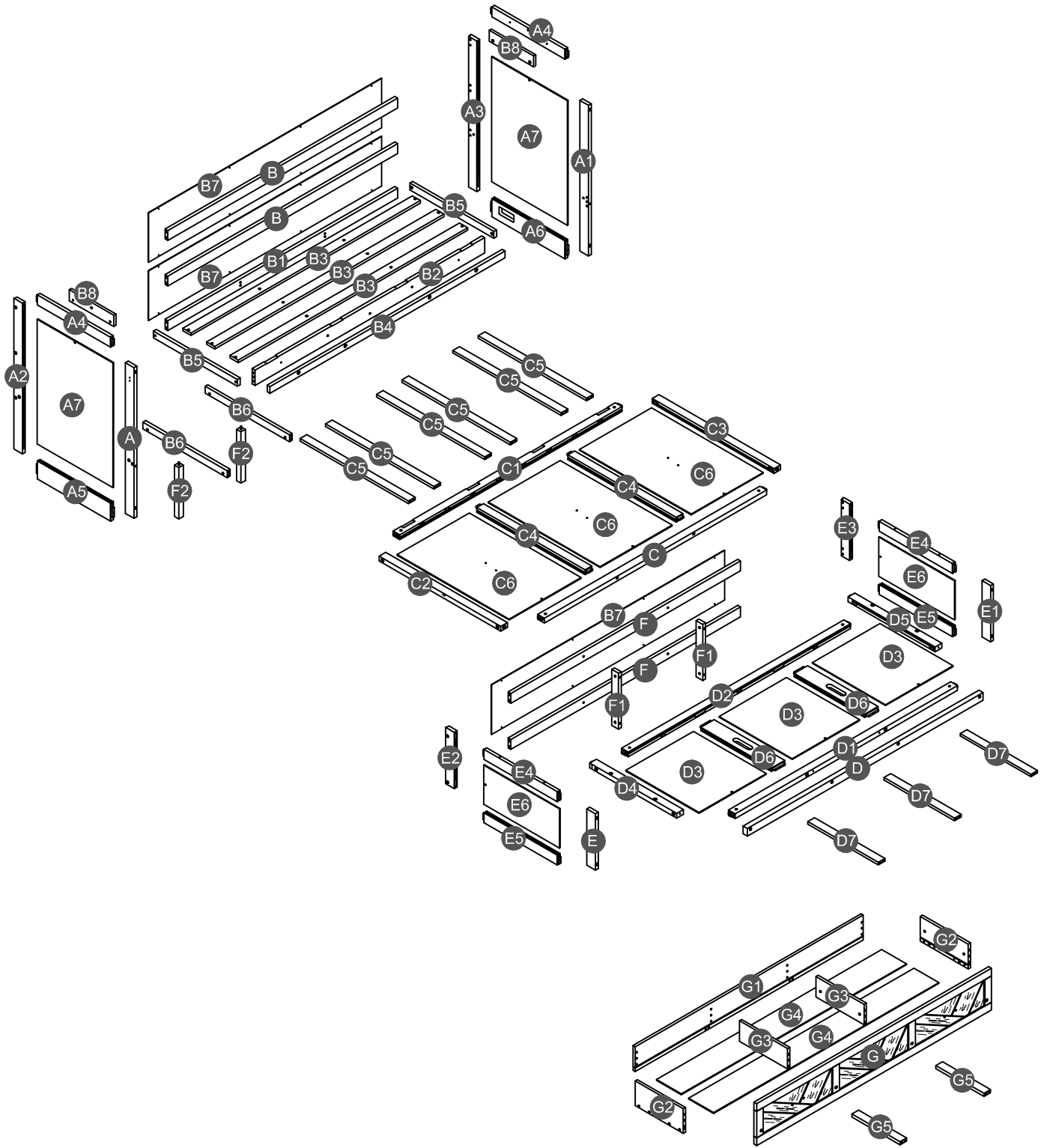


TYPE 2

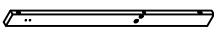
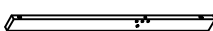
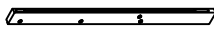

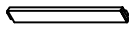
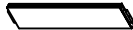
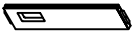
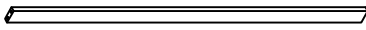
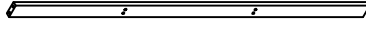
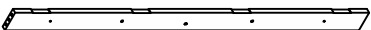

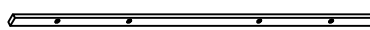
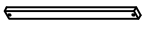
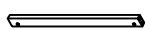
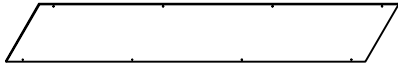
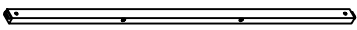

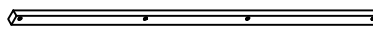
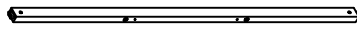


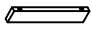
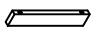
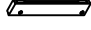
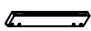
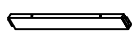
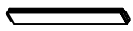
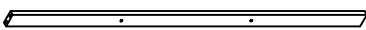






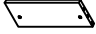
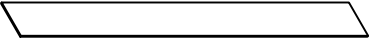
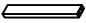
SA33844

Detail View



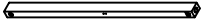


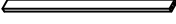

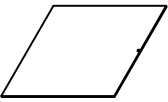
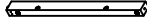


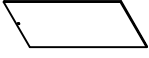



Part list (Box 1 - SA33844 (1-2))

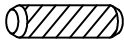

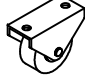

<p>A</p>  <p>Vertical bar HB (left front) -1pc</p>	<p>A1</p>  <p>Vertical bar HB (right front) -1pc</p>	<p>A2</p>  <p>Vertical bar HB (left back) -1pc</p>
<p>A3</p>  <p>Vertical bar HB (right back) -1pc</p>	<p>A4</p>  <p>Upper horizontal bar HB- 2pcs</p>	<p>A5</p>  <p>Lower horizontal bar HB (left) -1pc</p>
<p>A6</p>  <p>Lower horizontal bar HB (right) -1pc</p>	<p>B</p>  <p>Upper horizontal bar HB - 2pcs</p>	<p>B1</p>  <p>Lower horizontal bar HB -1pc</p>
<p>B2</p>  <p>Horizontal bar HB (front) - 1pc</p>	<p>B3</p>  <p>Slat - 3pcs</p>	<p>B4</p>  <p>Support HB (front) - 1pc</p>
<p>B5</p>  <p>Horizontal bar HB (left/right) - 2pcs</p>	<p>B6</p>  <p>Lower support slat - 2pcs</p>	<p>B7</p>  <p>Back panel HB/FB - 3pcs</p>
<p>C</p>  <p>Horizontal bar (front) - 1pc</p>	<p>C1</p>  <p>Horizontal bar (back) - 1pc</p>	<p>D</p>  <p>Support FB (front) - 1pc</p>
<p>D1</p>  <p>Horizontal bar FB (front) - 1pc</p>	<p>D2</p>  <p>Horizontal bar FB (back) - 1pc</p>	<p>D6</p>  <p>Divider horizontal bar FB - 2pcs</p>
<p>E</p>  <p>Vertical bar FB (left front) -1pc</p>	<p>E1</p>  <p>Vertical bar FB (right front) -1pc</p>	<p>E2</p>  <p>Vertical bar FB (left back) -1pc</p>
<p>E3</p>  <p>Vertical bar FB (right back) -1pc</p>	<p>E4</p>  <p>Upper horizontal bar FB- 2pcs</p>	<p>E5</p>  <p>Lower horizontal bar FB - 2pcs</p>
<p>F</p>  <p>Upper horizontal bar FB - 2pcs</p>	<p>F1</p>  <p>Vertical bar support FB -2pcs</p>	<p>G</p>  <p>Front drawer panel - 1pc</p>

G1  Back drawer panel - 1pc	G2  Left / right drawer panel - 2pcs	G3  Divider drawer panel - 2pcs
G4  Drawer bottom - 2pcs	G5  Support drawer - 2pcs	

Part list & Hardware list (Box 2 - SA33844 (2-2))

A7  Side panel HB - 2pcs	B8  Support HB - 2pcs	C2  Horizontal bar (left) - 1pc
C3  Horizontal bar (right) - 1pc	C4  Horizontal bar - 2pcs	C5  Horizontal bar support - 6pcs
C6  Side panel - 3pcs	D3  Side panel FB - 3pcs	D4  Horizontal bar FB (left) - 1pc
D5  Horizontal bar FB (right) - 1pc	D7  Horizontal bar support - 3pcs	E6  Side panel FB - 2pcs
F2  Leg support - 2pcs		

Hardware List (Box 2 - SA33844 (2-2))

<p>1</p>  <p style="text-align: center;">Ø10*20mm</p> <p style="text-align: center;">Wood dowel (6pcs)</p>	<p>2</p>  <p style="text-align: center;">Ø8*30mm</p> <p style="text-align: center;">Wood dowel (81pcs)</p>	<p>3</p>  <p style="text-align: center;">(Ø15)1/4"*80mm</p> <p style="text-align: center;">Hex-Head bolts (10pcs)</p>
<p>4</p>  <p style="text-align: center;">(Ø12)1/4"*60mm</p> <p style="text-align: center;">Hex-Head bolts (26pcs)</p>	<p>5</p>  <p style="text-align: center;">(Ø12)1/4"*35mm</p> <p style="text-align: center;">Hex-Head bolts (4pcs)</p>	<p>6</p>  <p style="text-align: center;">(Ø12)1/4"*65mm</p> <p style="text-align: center;">Hex-Head bolts (24pcs)</p>
<p>7</p>  <p style="text-align: center;">(Ø12)1/4"*40mm</p> <p style="text-align: center;">Hex-Head bolts (8pcs)</p>	<p>8</p>  <p style="text-align: center;">(Ø12)1/4"*30mm</p> <p style="text-align: center;">Hex-Head bolts (6pcs)</p>	<p>9</p>  <p style="text-align: center;">1/4"*15 (9.5mm)</p> <p style="text-align: center;">Horizontal-hole bolts(36pcs)</p>
<p>10</p>  <p style="text-align: center;">Ø4*30mm</p> <p style="text-align: center;">Wood screws (20pcs)</p>	<p>11</p>  <p style="text-align: center;">Ø3.5*15mm</p> <p style="text-align: center;">Wood screws (26pcs)</p>	<p>12</p>  <p style="text-align: center;">Ø3.5*15mm</p> <p style="text-align: center;">Wood screws (28pcs)</p>
<p>13</p>  <p style="text-align: center;">Ø3.5*19mm</p> <p style="text-align: center;">Wood screws (36pcs)</p>	<p>14</p>  <p style="text-align: center;">100*52*20 mm</p> <p style="text-align: center;">Wheels (4pcs)</p>	<p>15</p>  <p style="text-align: center;">45*20*33 mm</p> <p style="text-align: center;">Wheels (2pcs)</p>
<p>16</p>  <p style="text-align: center;">125*47*43mm</p> <p style="text-align: center;">Power outlet (1pc)</p>	<p>17</p>  <p style="text-align: center;">76*42*2mm</p> <p style="text-align: center;">Hinger (4pcs)</p>	<p>18</p>  <p style="text-align: center;">60*28*15mm</p> <p style="text-align: center;">Metal bracket (4sets)</p>
<p>19</p>  <p style="text-align: center;">125*33*10mm</p> <p style="text-align: center;">Handle (6pcs)</p>	<p>20</p>  <p style="text-align: center;">5/32"*10mm</p> <p style="text-align: center;">Ph zinc(Knob) (12pcs)</p>	<p>21</p>  <p style="text-align: center;">(1/4")4.5*58mm</p> <p style="text-align: center;">Allen key (1pc)</p>
<p>22</p>  <p style="text-align: center;">21*17*17*2mm</p> <p style="text-align: center;">Metal bracket (4pcs)</p>	<p>23</p>  <p style="text-align: center;">Ø9*32mm</p> <p style="text-align: center;">Plastic anchor (2pcs)</p>	<p>24</p>  <p style="text-align: center;">58*16*16*(1.5mm)</p> <p style="text-align: center;">Metal bracket (2pcs)</p>
<p>25</p>  <p style="text-align: center;">Ø4*38mm</p> <p style="text-align: center;">Wood screws (2pcs)</p>	<div style="border: 1px solid black; padding: 10px; margin-bottom: 10px;"> <p style="text-align: center;">ASSEMBLY TOOLS REQUIRED (NOT INCLUDED)</p> <div style="display: flex; align-items: center; justify-content: center;">  (Phillip head screwdriver) </div> </div> <div style="display: flex; align-items: center; justify-content: center;">  <div style="margin-left: 10px;"> <p style="font-size: small; margin: 0;">PLEASE BE CAREFUL DO NOT DAMAGE THE HOLE POSITION WHEN YOU USE POWER TOOLS !</p> </div> </div>	

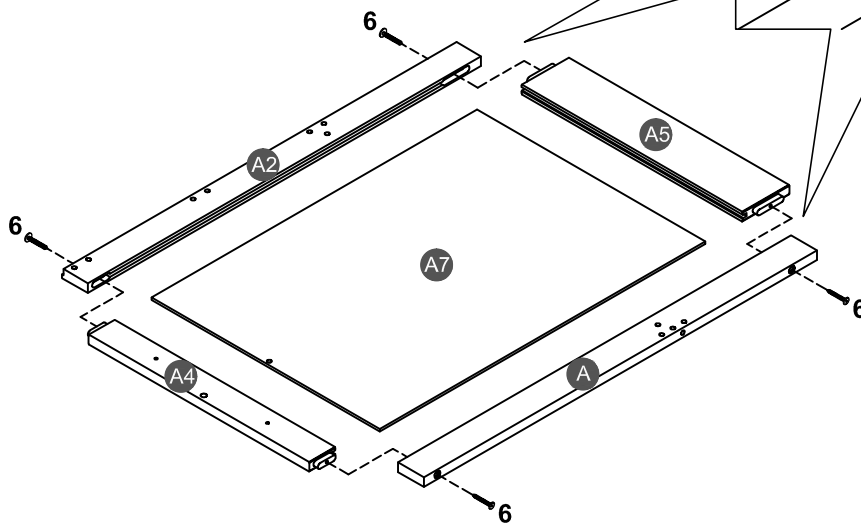
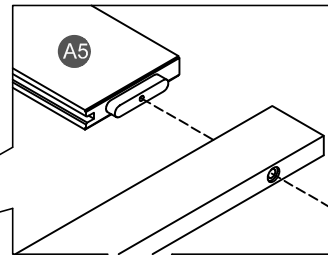
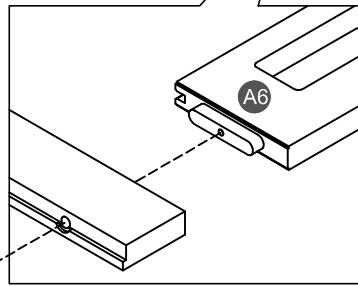
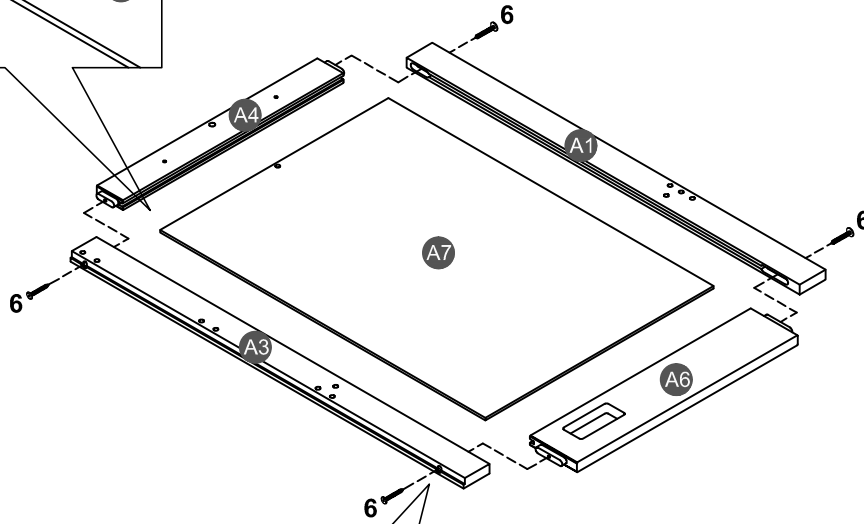
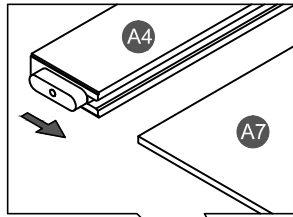
STEP 1:

TYPE 1

6



8PCS



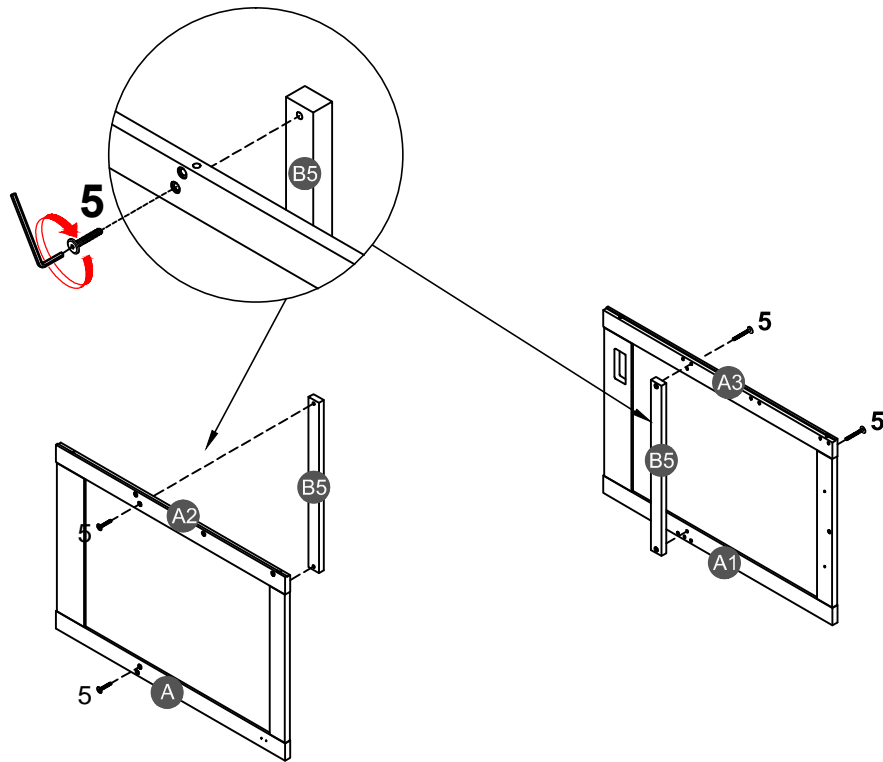
STEP 2:

TYPE 1

5



4PCS



STEP 3:

TYPE 1

2



2PCS

4

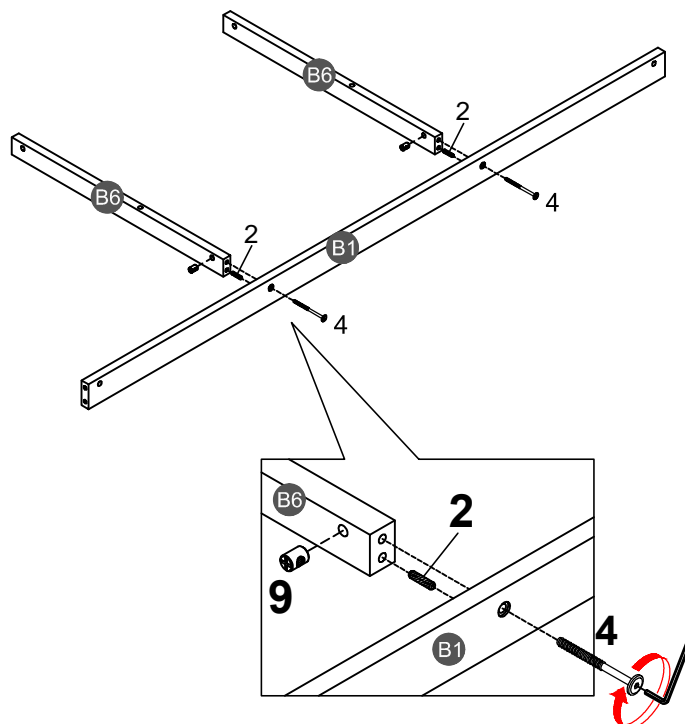


2PCS

9

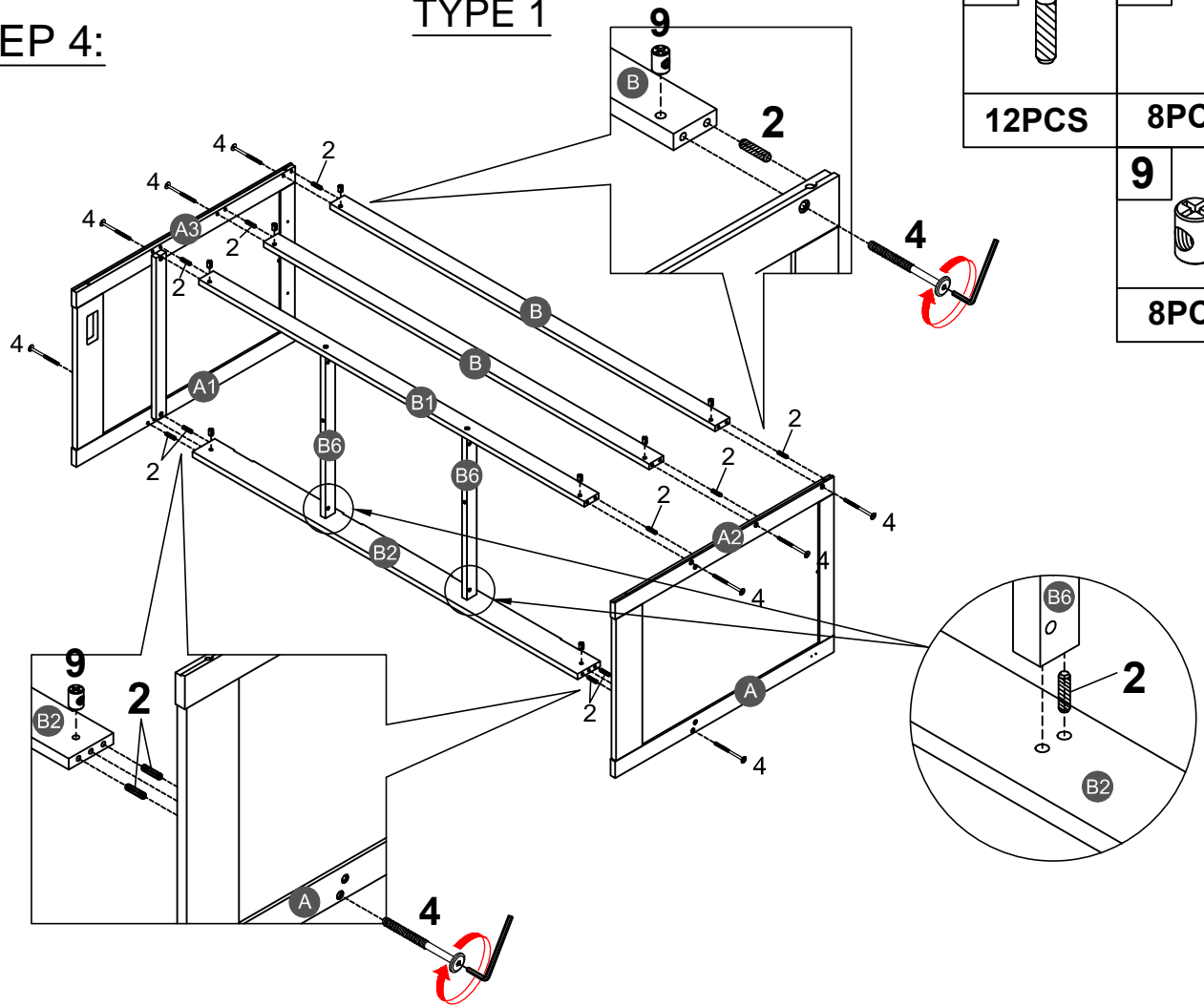


2PCS



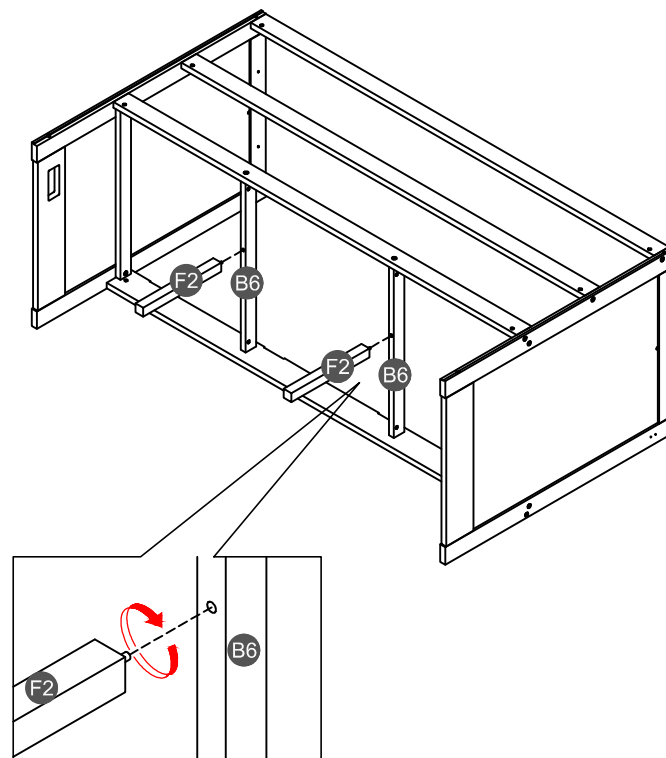
STEP 4:

TYPE 1





STEP 5:

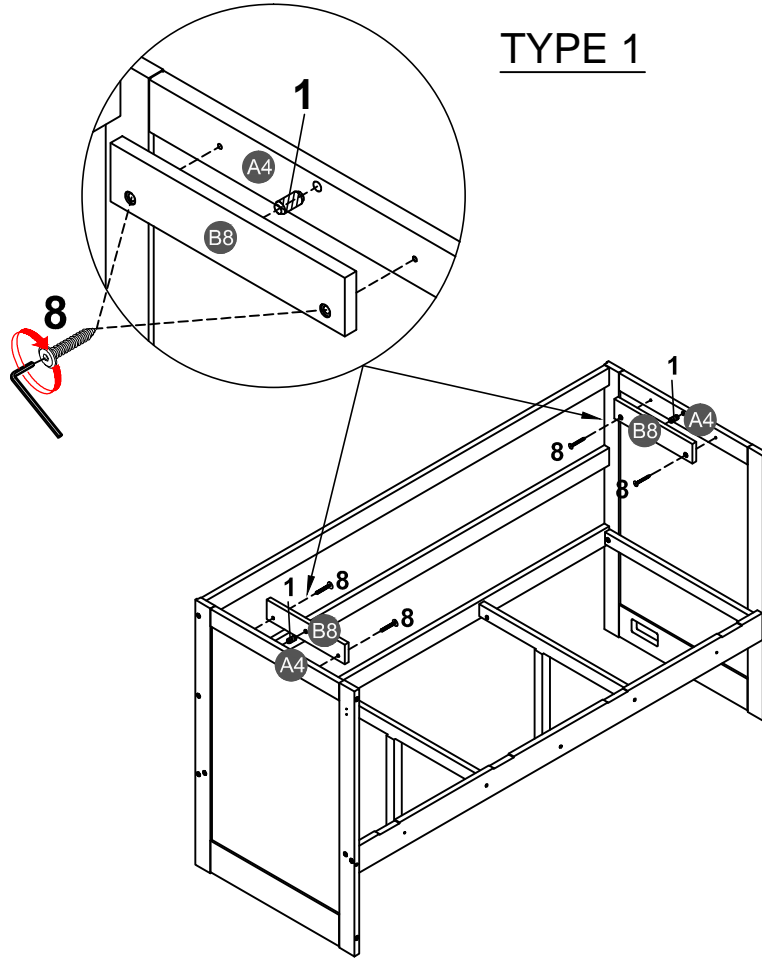
TYPE 1



STEP 6:





TYPE 1

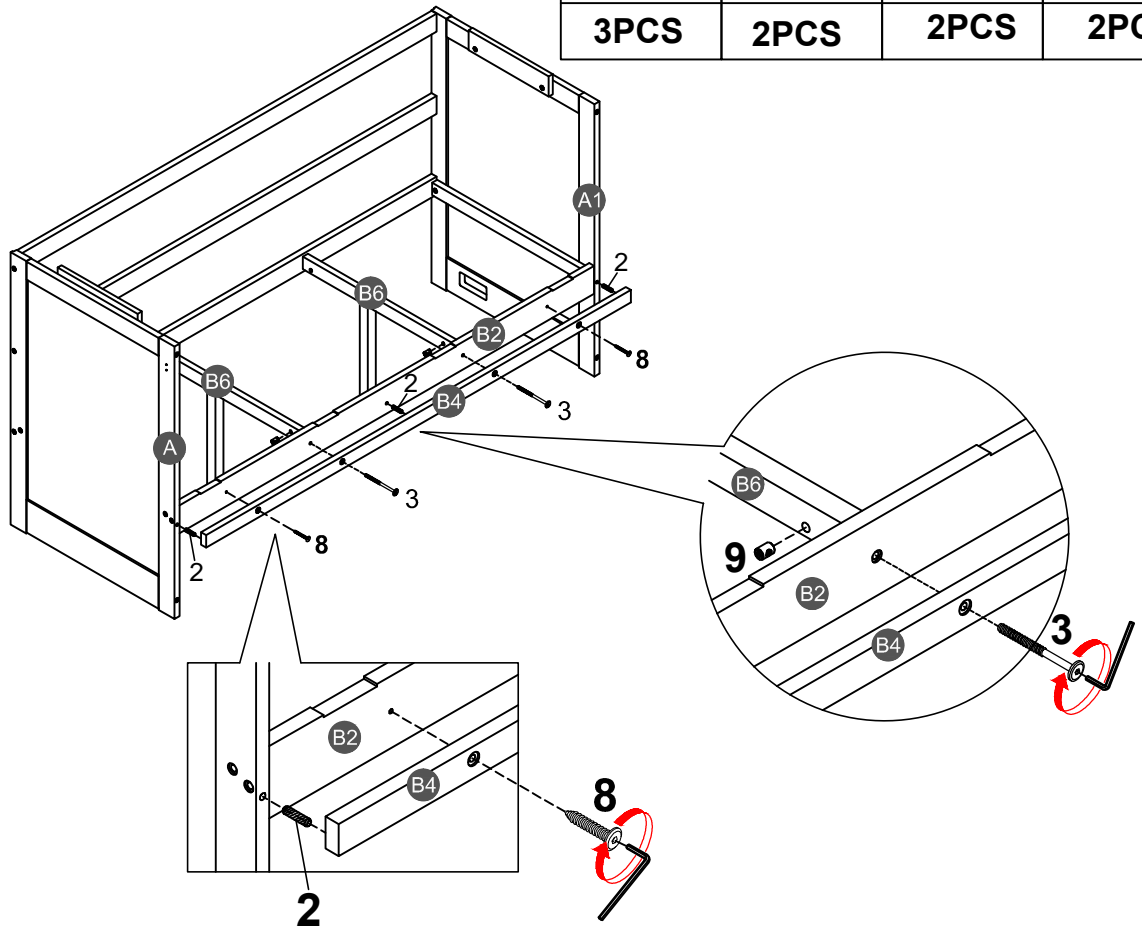
1	8
	
2PCS	4PCS



STEP 7:

TYPE 1

2	8	3	9
			
3PCS	2PCS	2PCS	2PCS



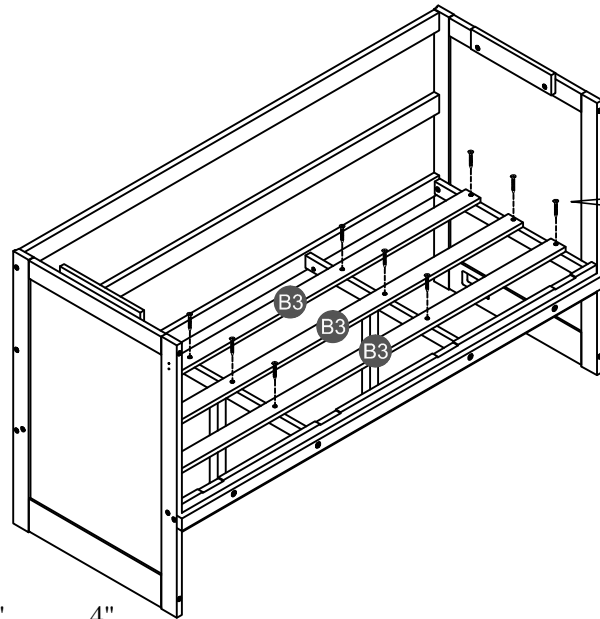
STEP 8:

TYPE 1

10



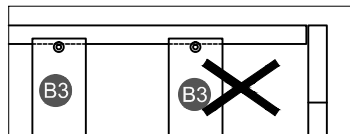
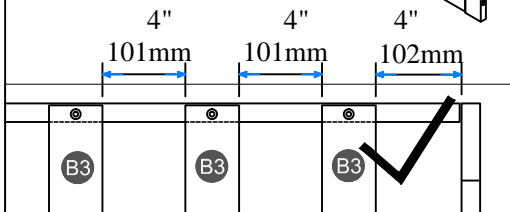
12PCS



10



B3



NOTE: Please make sure the bed slats close to the side rail before locking the screws to avoid breakage. This step is required for both the left and right sides. Moreover, please do not lock the screws of the bed slats at the outermost edge to avoid damaging.

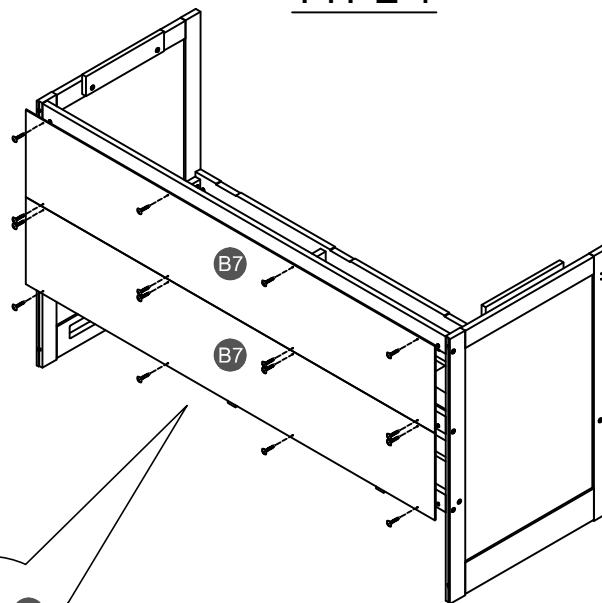
STEP 9:

TYPE 1

12



16PCS



12


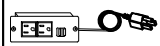



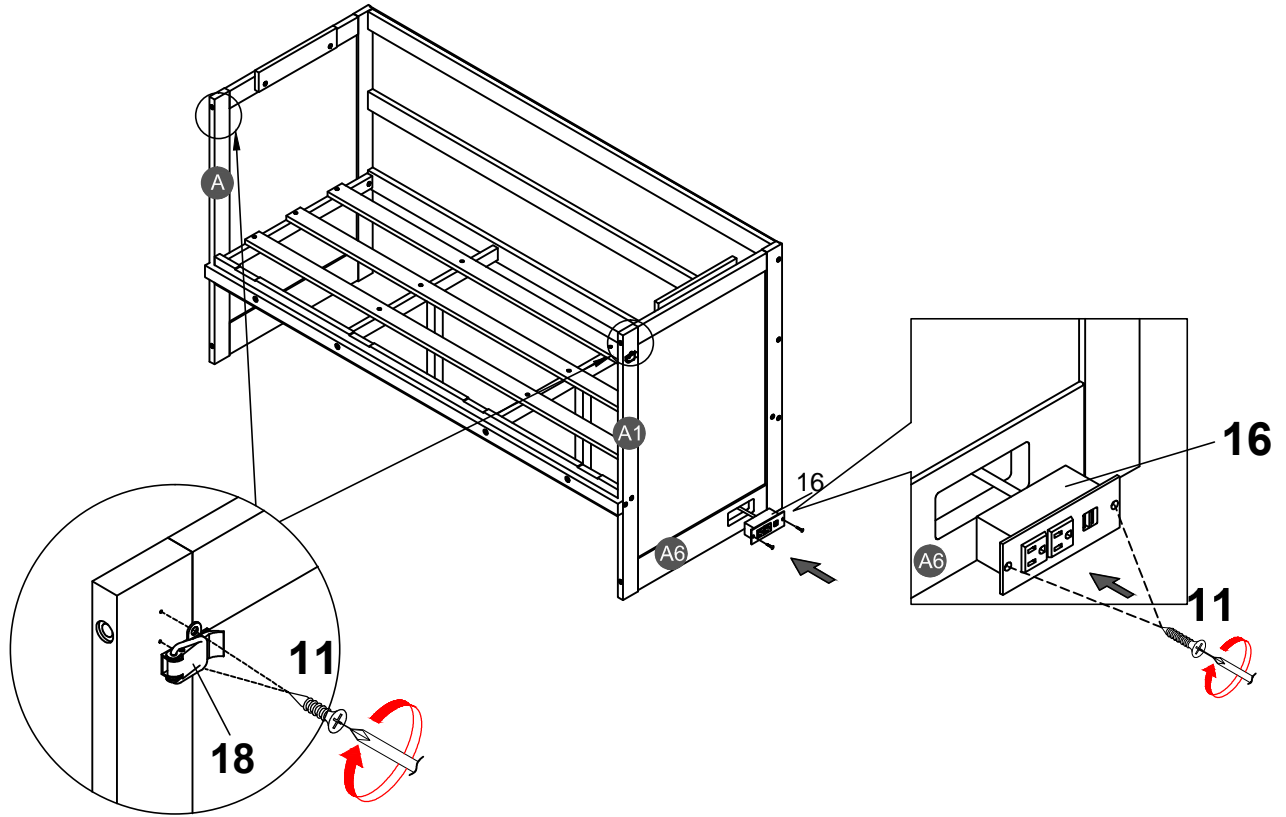
B7

B7

STEP 10:

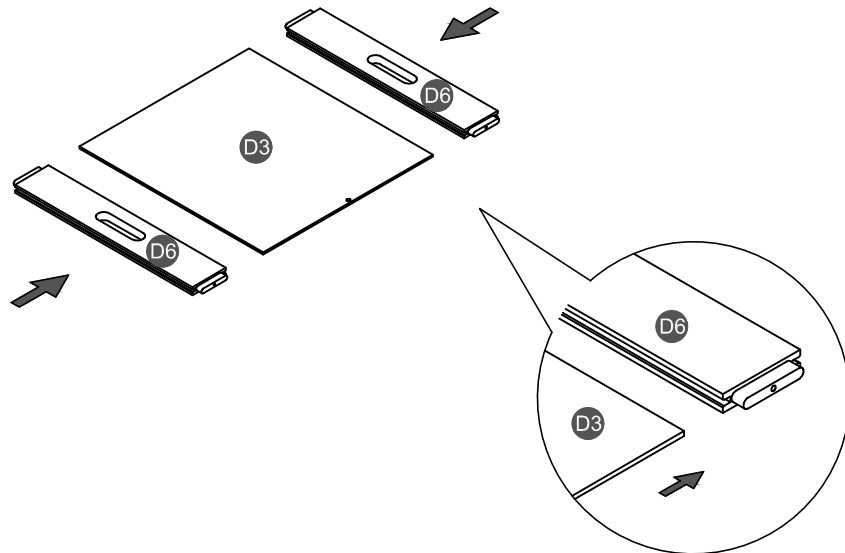
TYPE 1

11 	16 	18 
6PCS	1PC	2PCS





STEP 11:

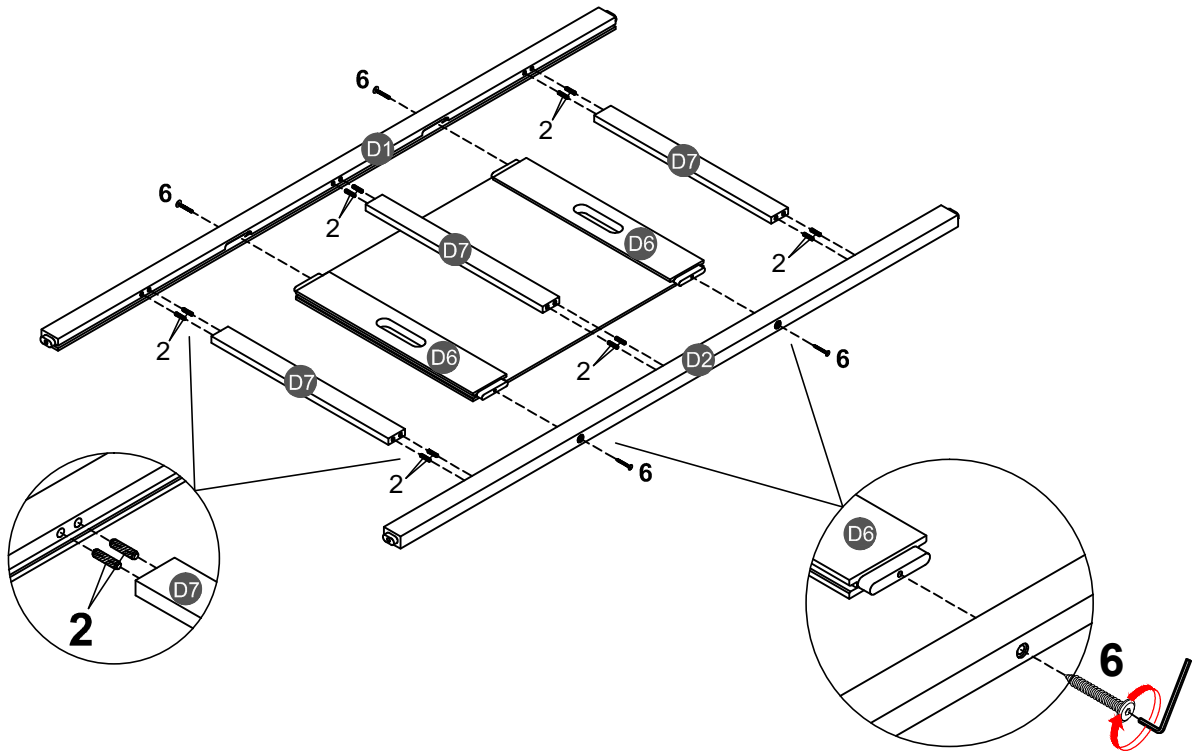
TYPE 1



STEP 12:

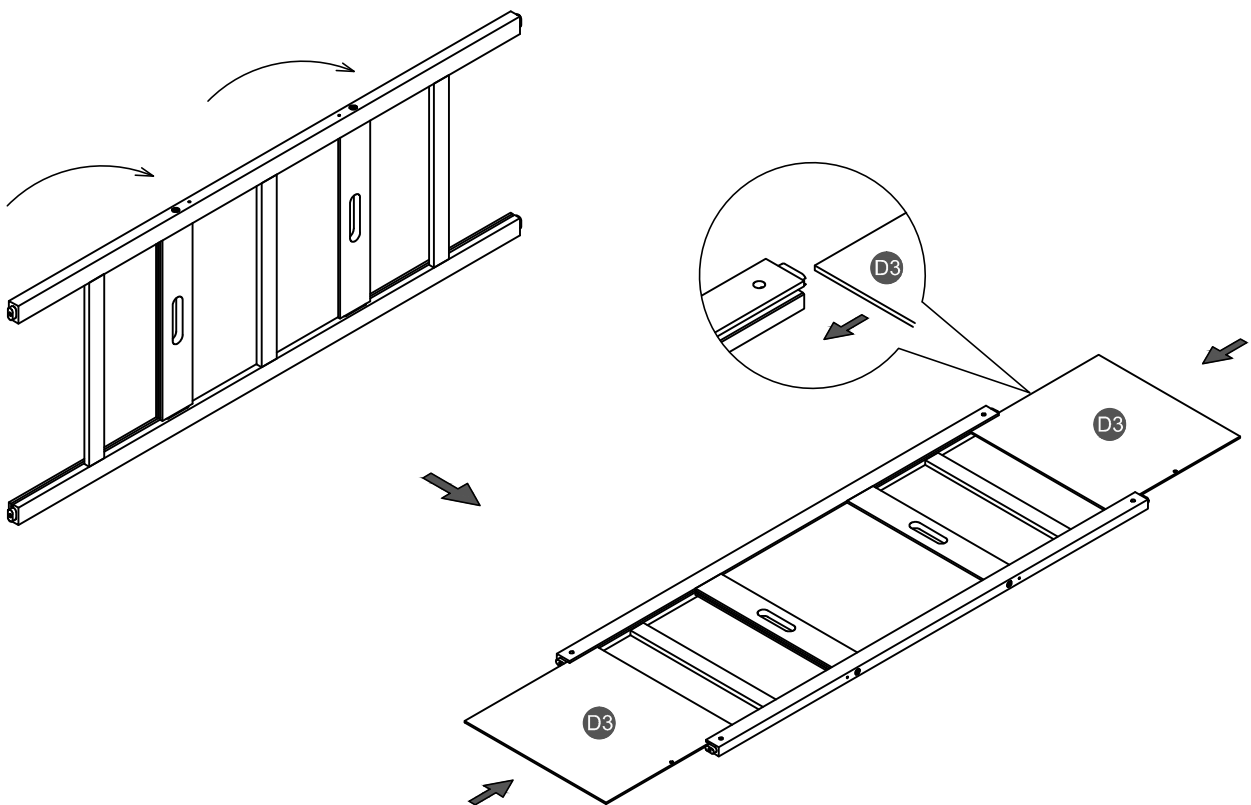
TYPE 1

2		6	
12PCS		4PCS	





STEP 13:

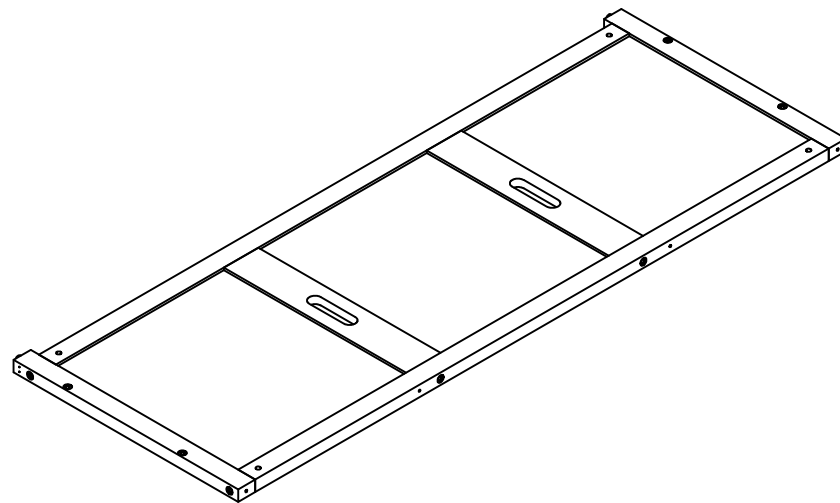
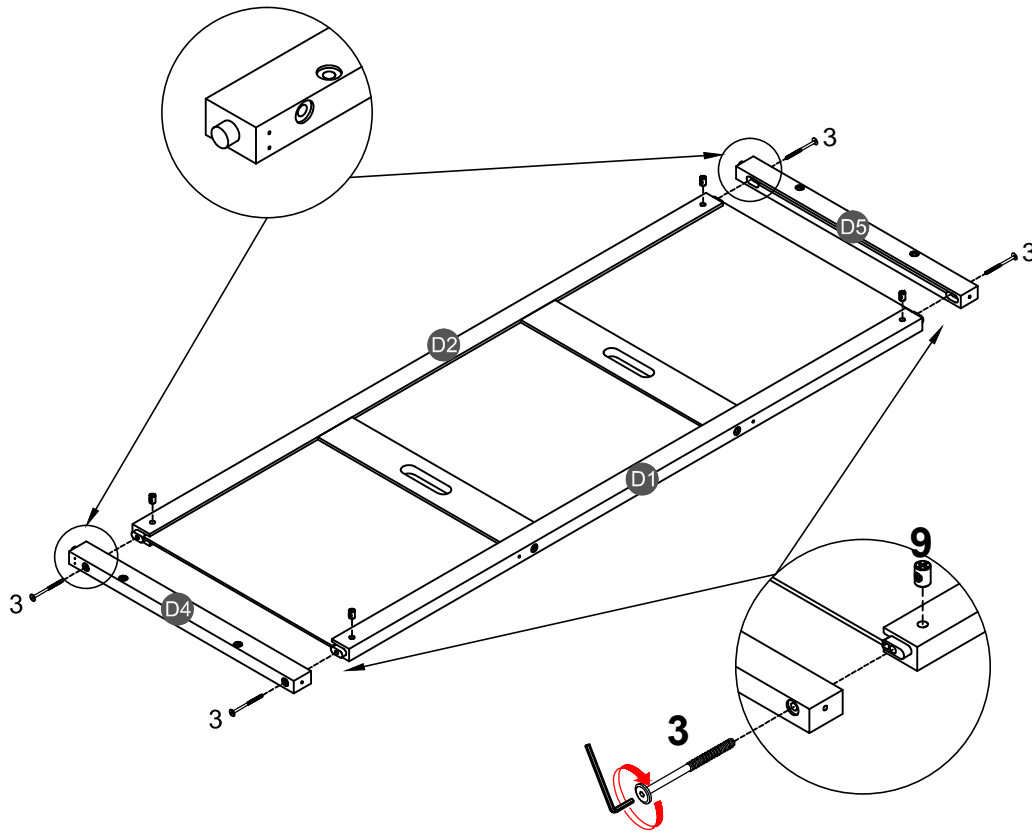
TYPE 1



STEP 14:


TYPE 1

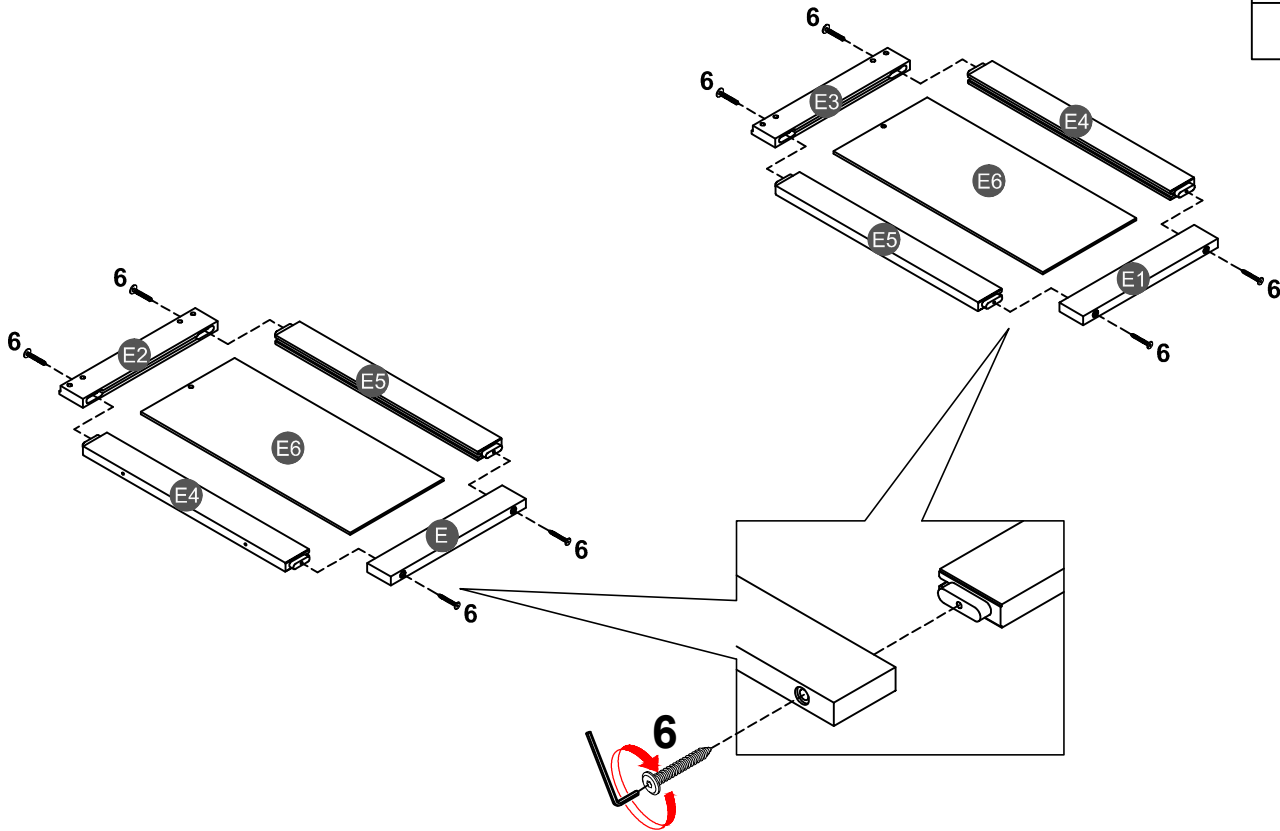
3		9	
4PCS		4PCS	



STEP 15:




TYPE 1

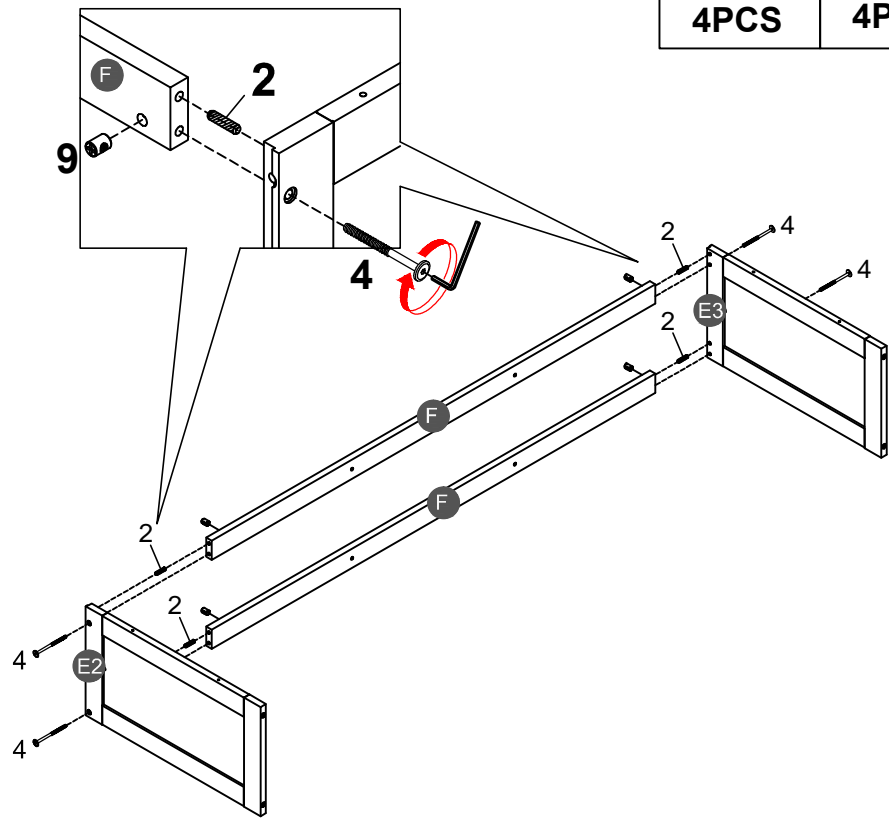
6	
8PCS	



STEP 16:



TYPE 1

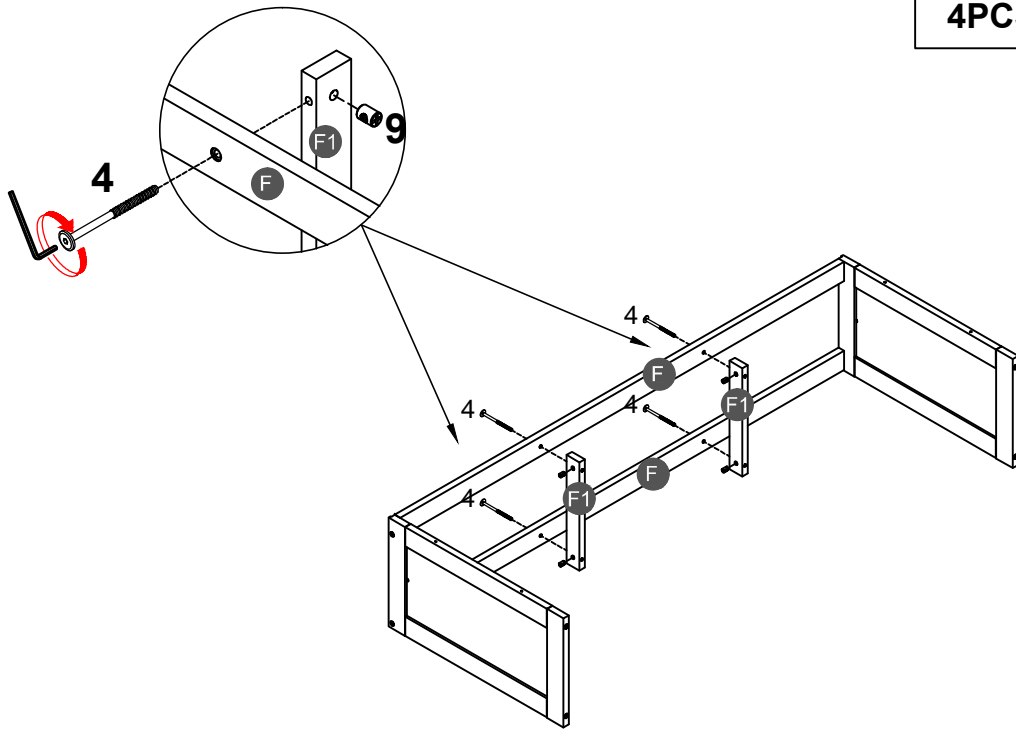
2		4		9	
4PCS		4PCS		4PCS	



STEP 17:


TYPE 1

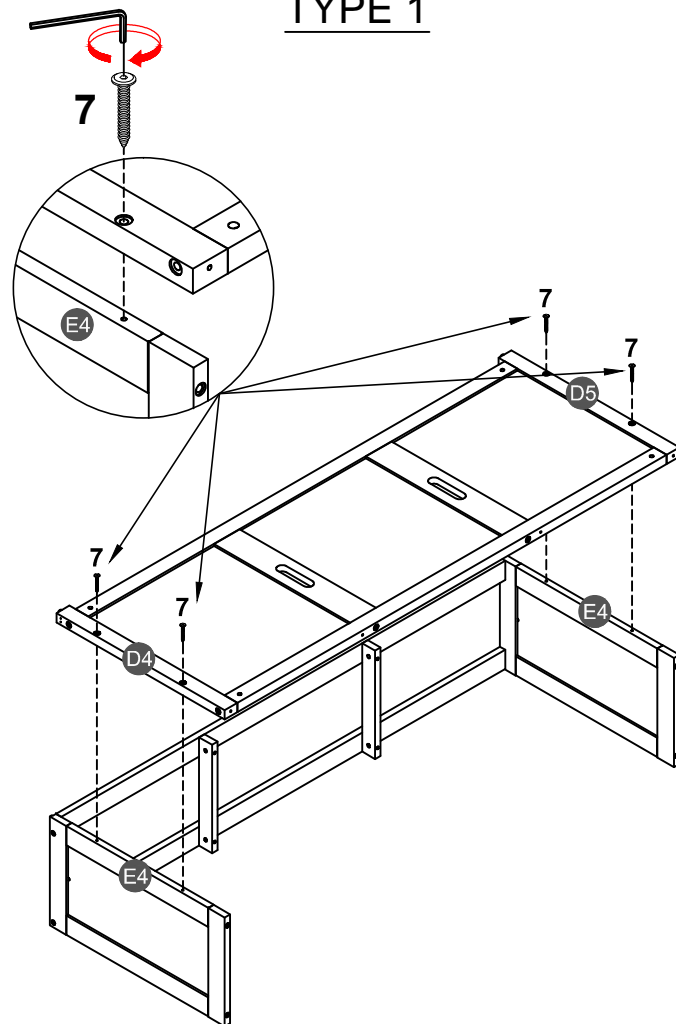
4		9	
4PCS		4PCS	



STEP 18:

TYPE 1

7	
4PCS	



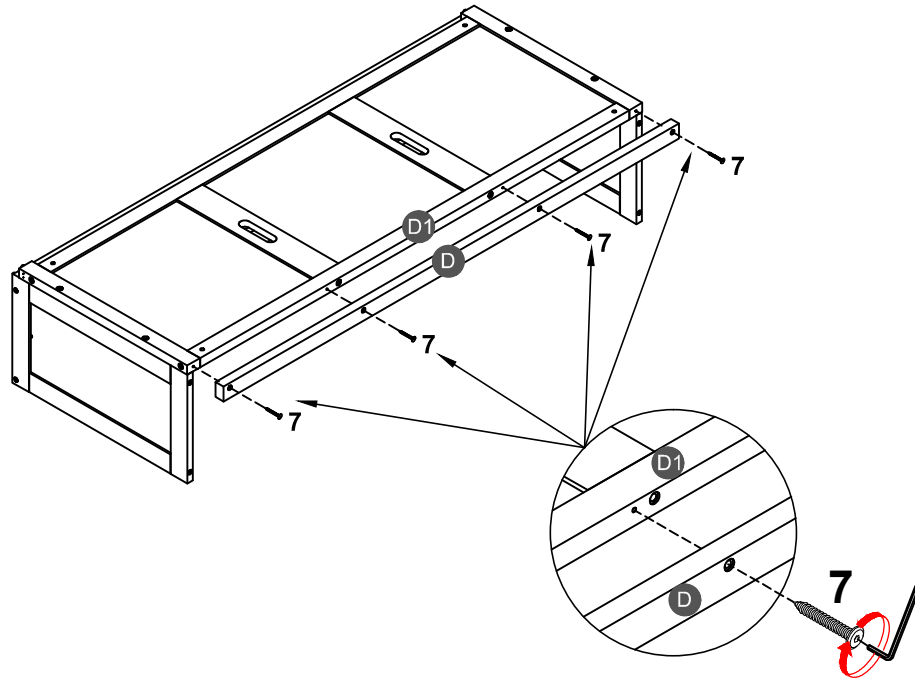
STEP 19:

TYPE 1

7



4PCS



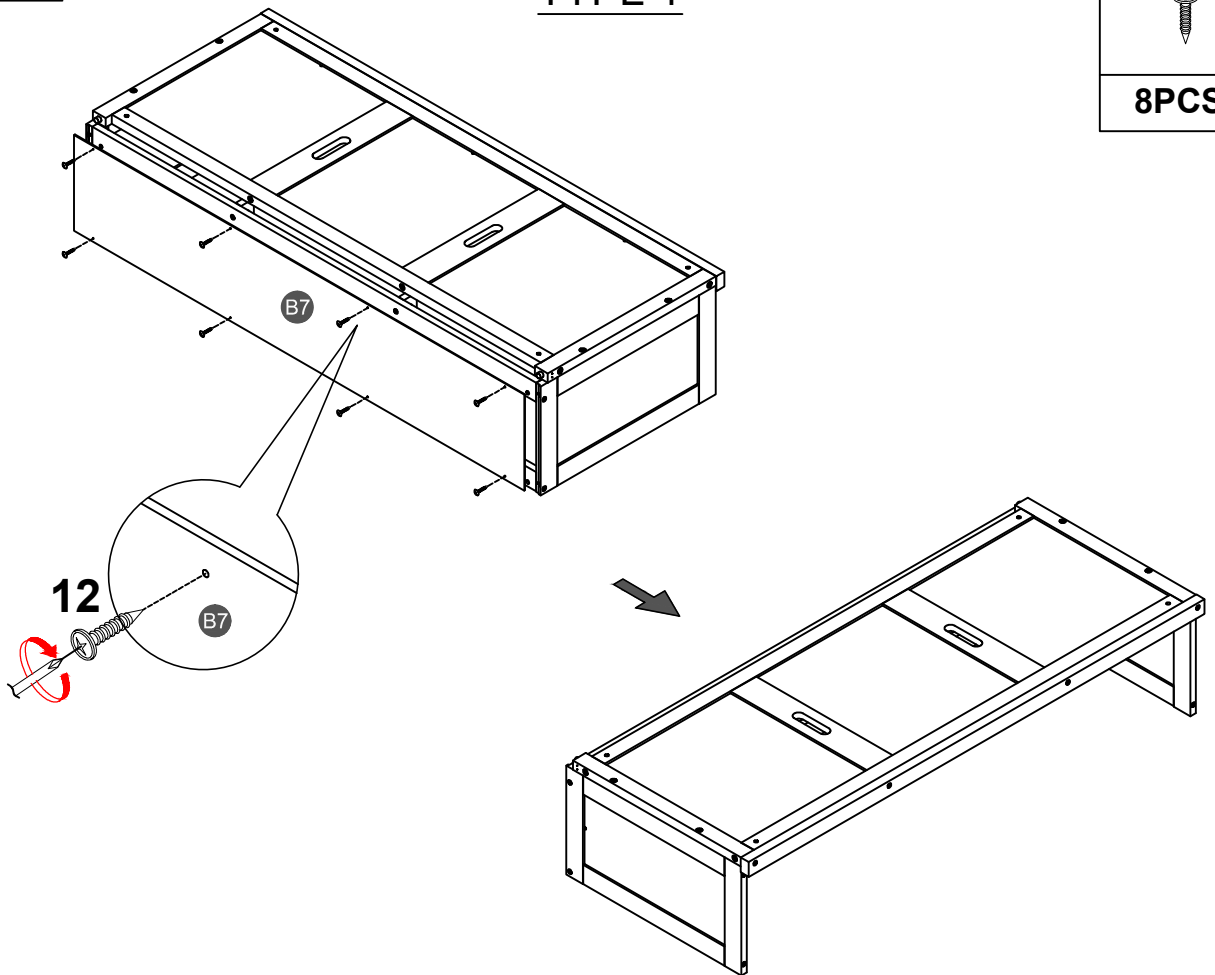
STEP 20:

TYPE 1

12

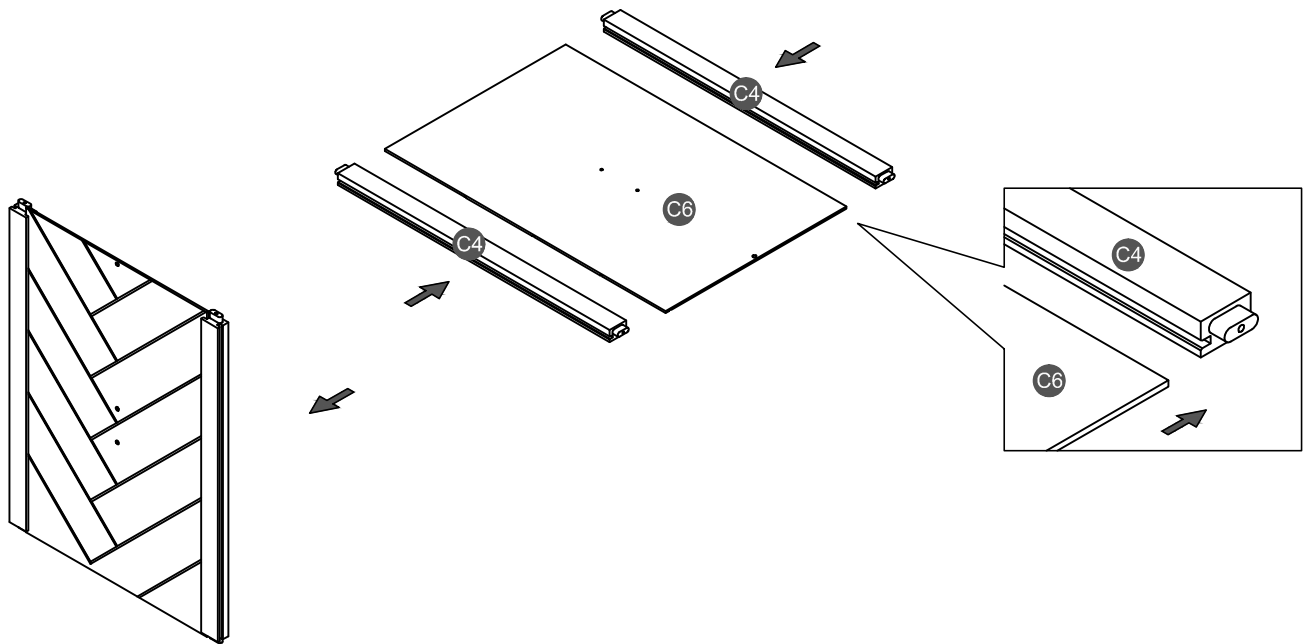


8PCS




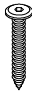
STEP 21:

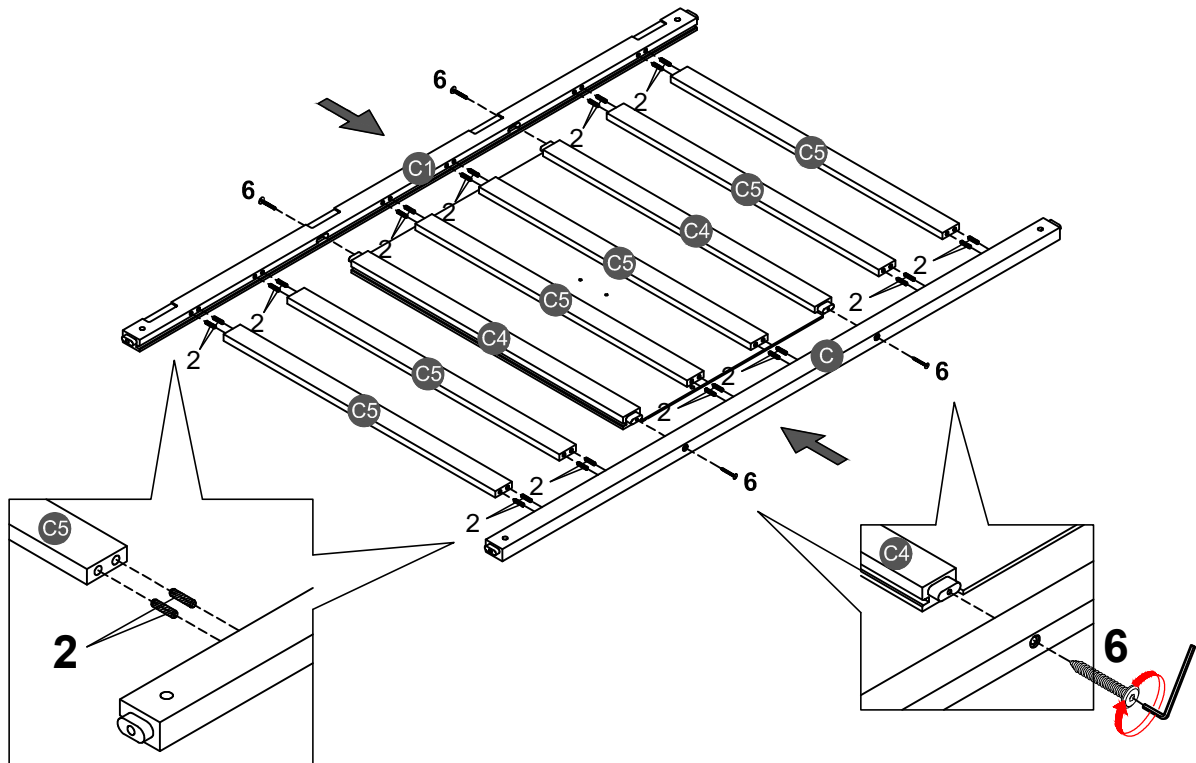
TYPE 1



STEP 22:

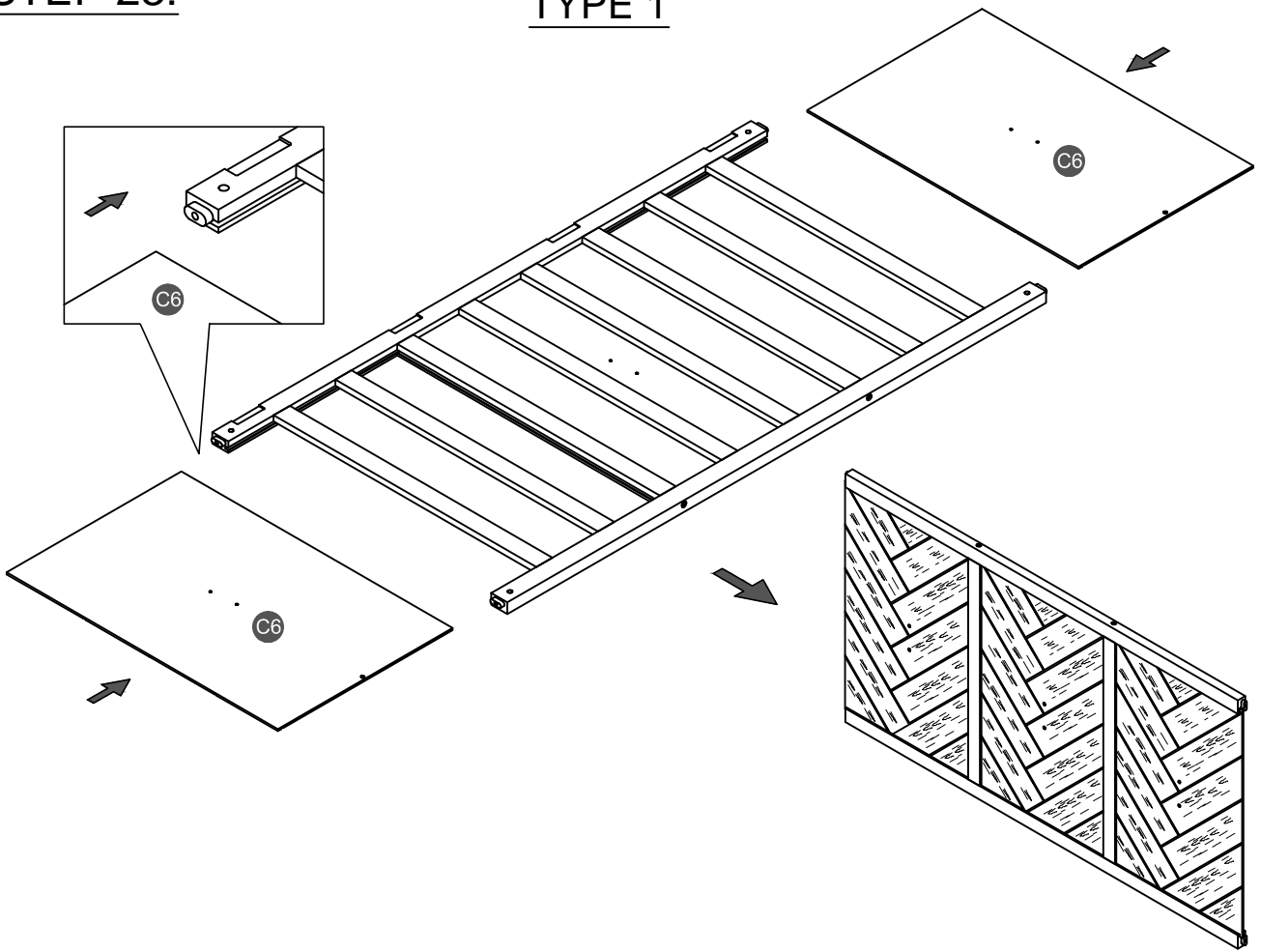
TYPE 1

2		6	
24PCS		4PCS	

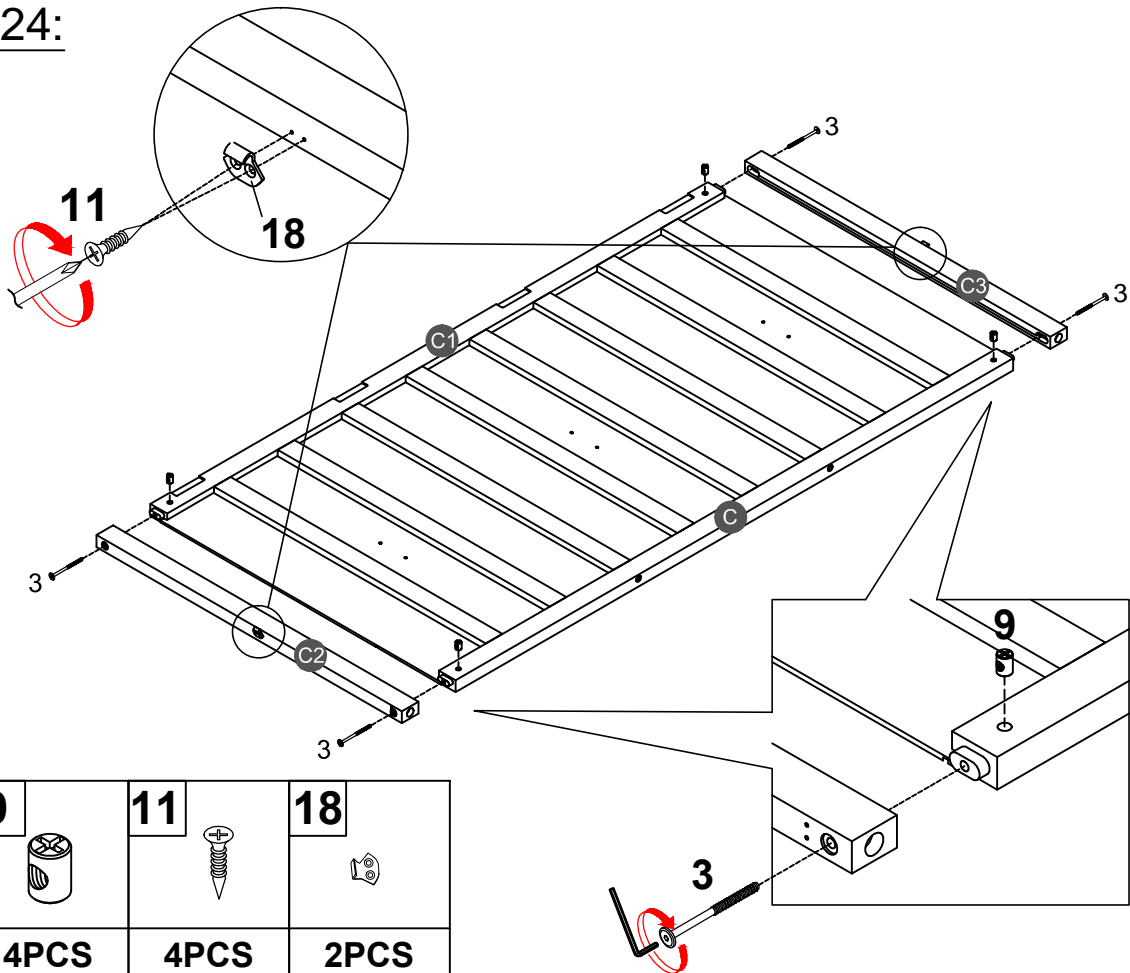






STEP 23:

TYPE 1



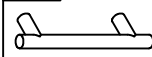

STEP 24:

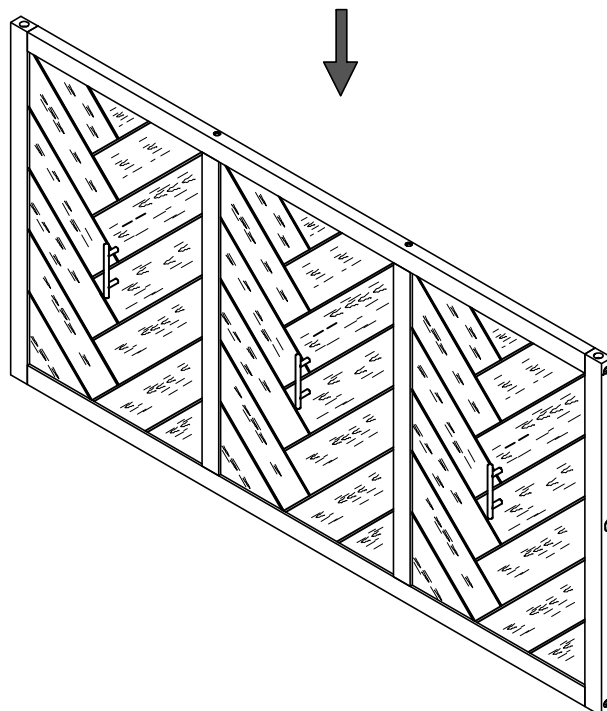
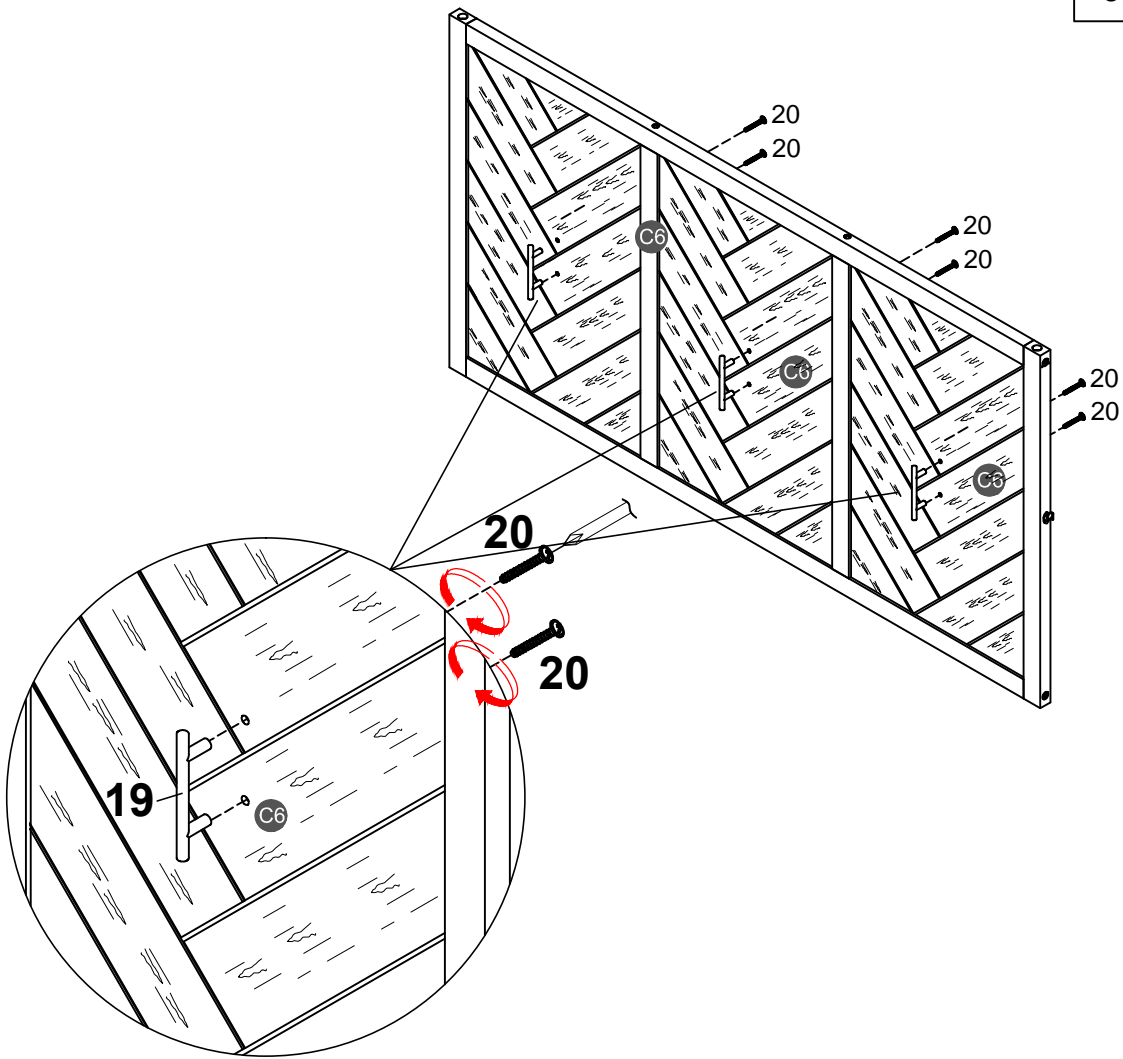


3		9		11		18	
4PCS		4PCS		4PCS		2PCS	

STEP 25:

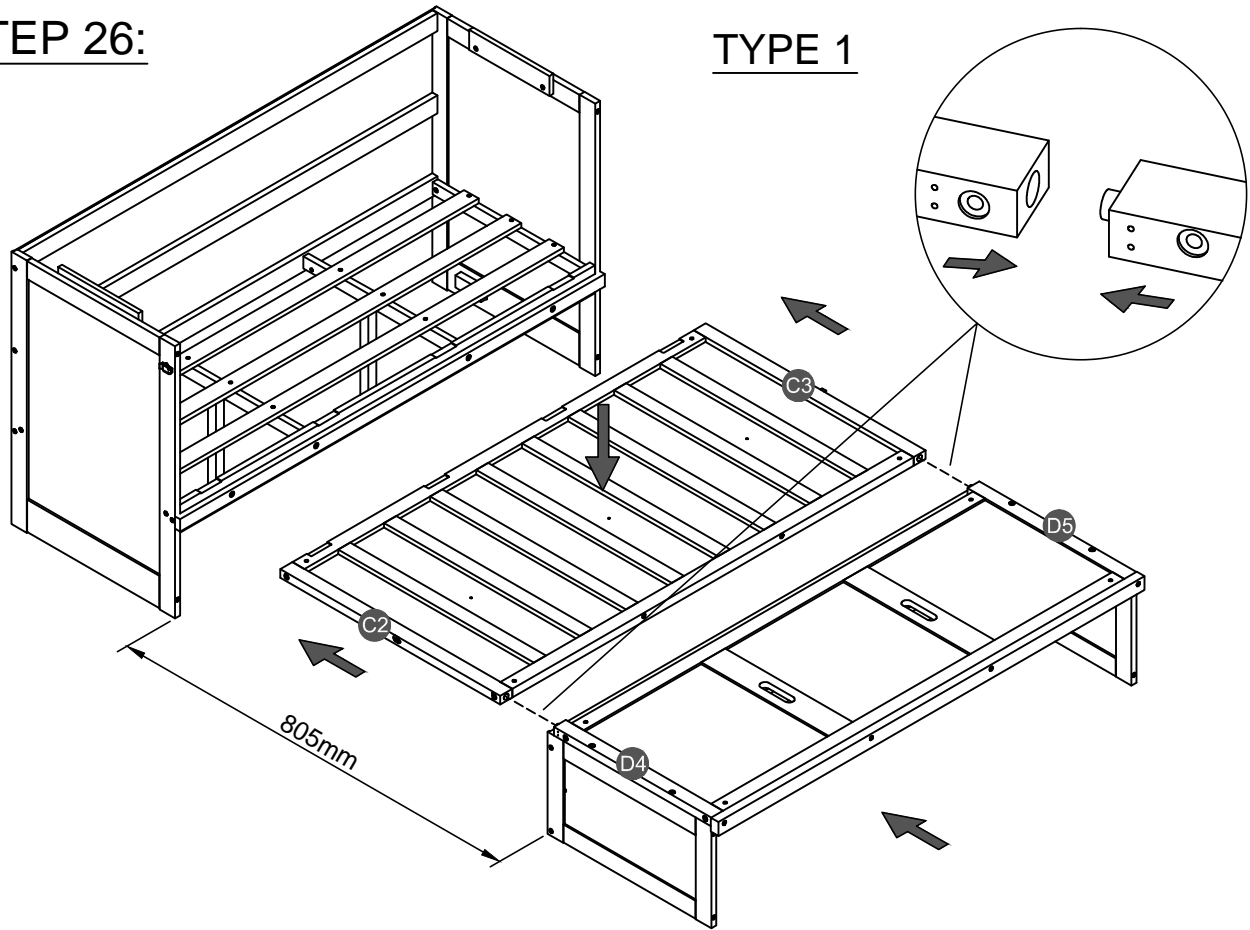
TYPE 1

19 	20 
3PCS	6PCS



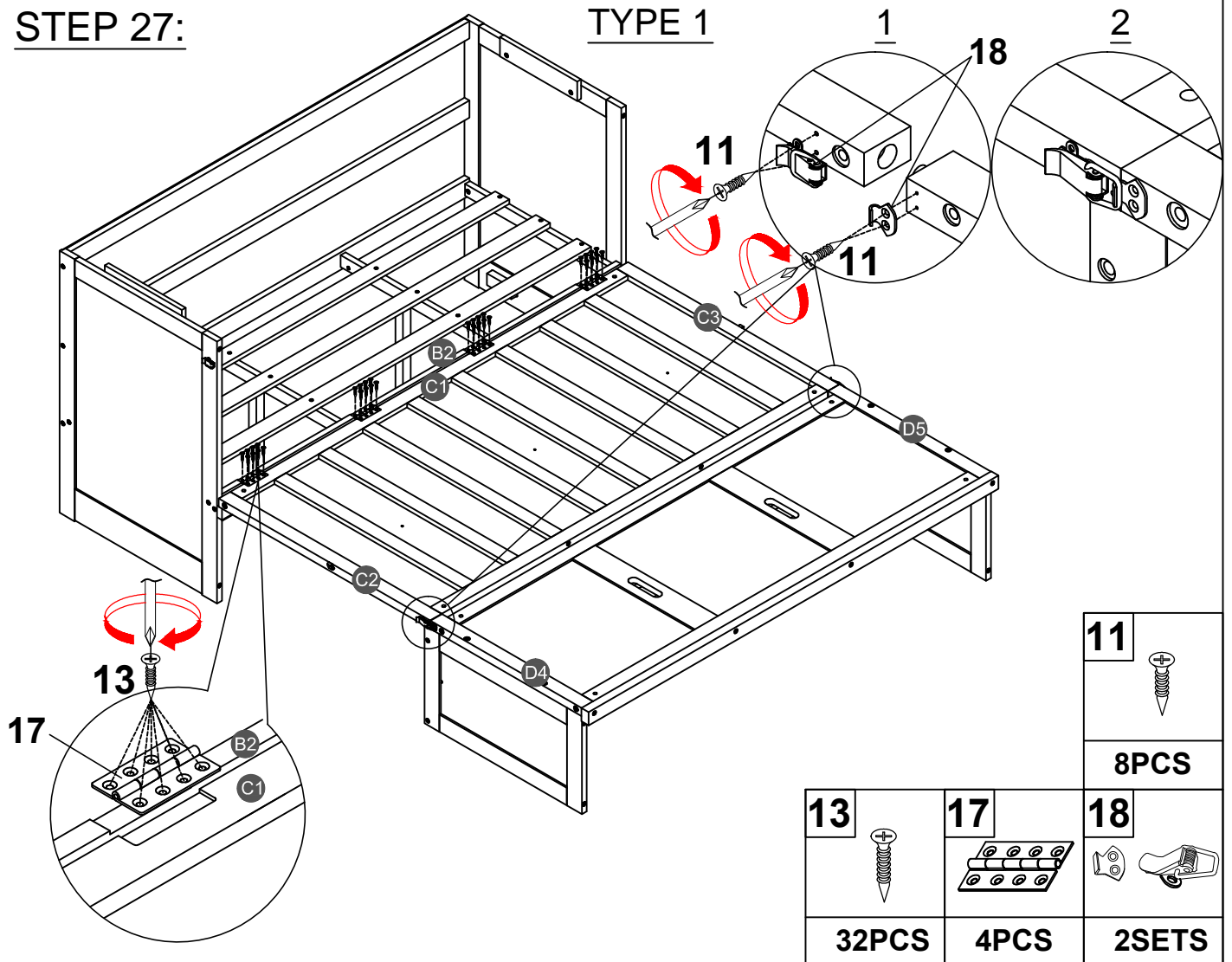
STEP 26:

TYPE 1






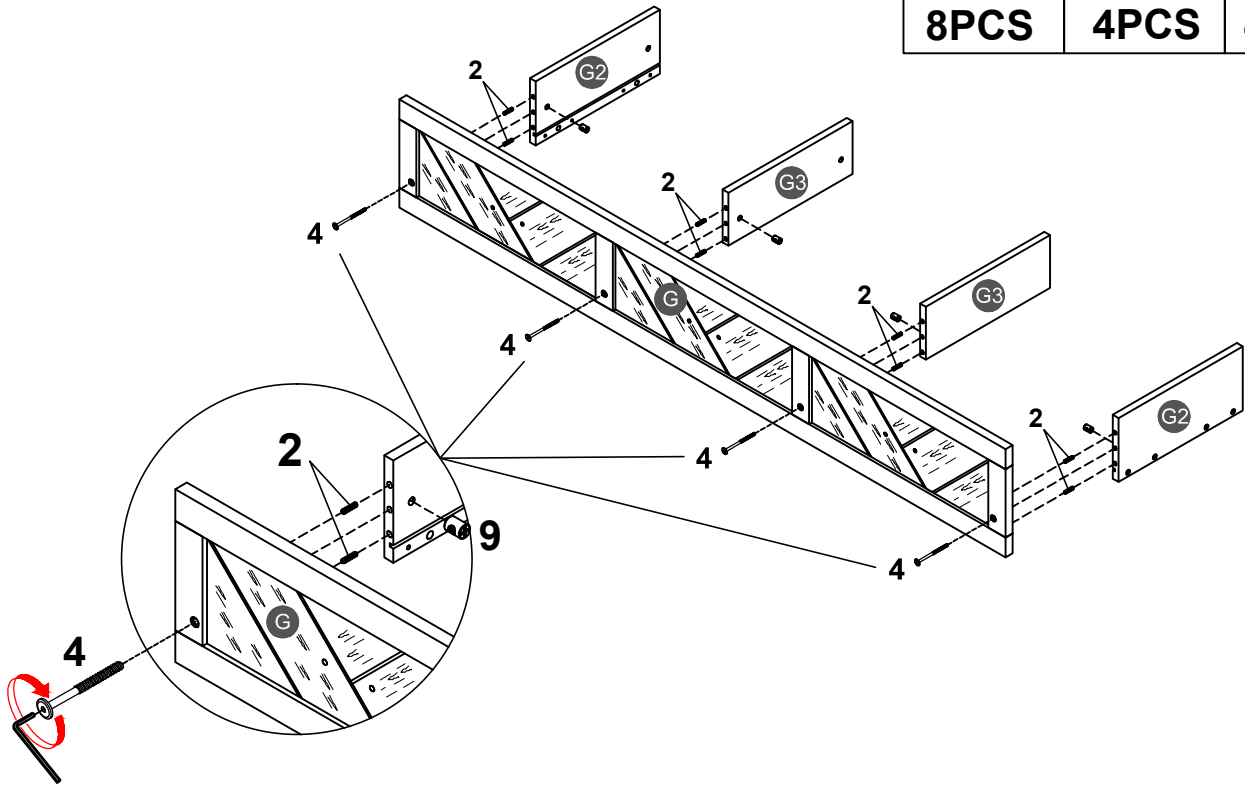
STEP 27:

TYPE 1






STEP 28:

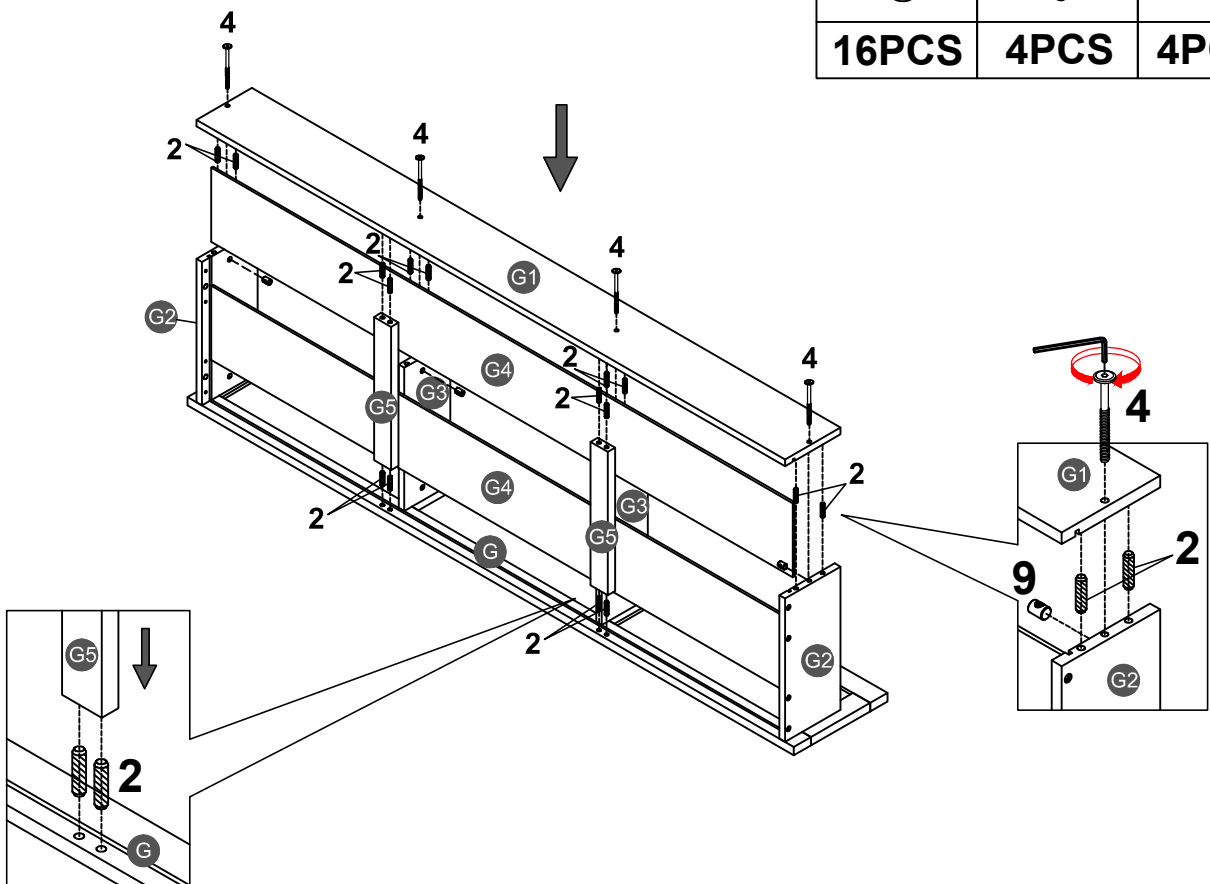
2		4		9	
8PCS		4PCS		4PCS	



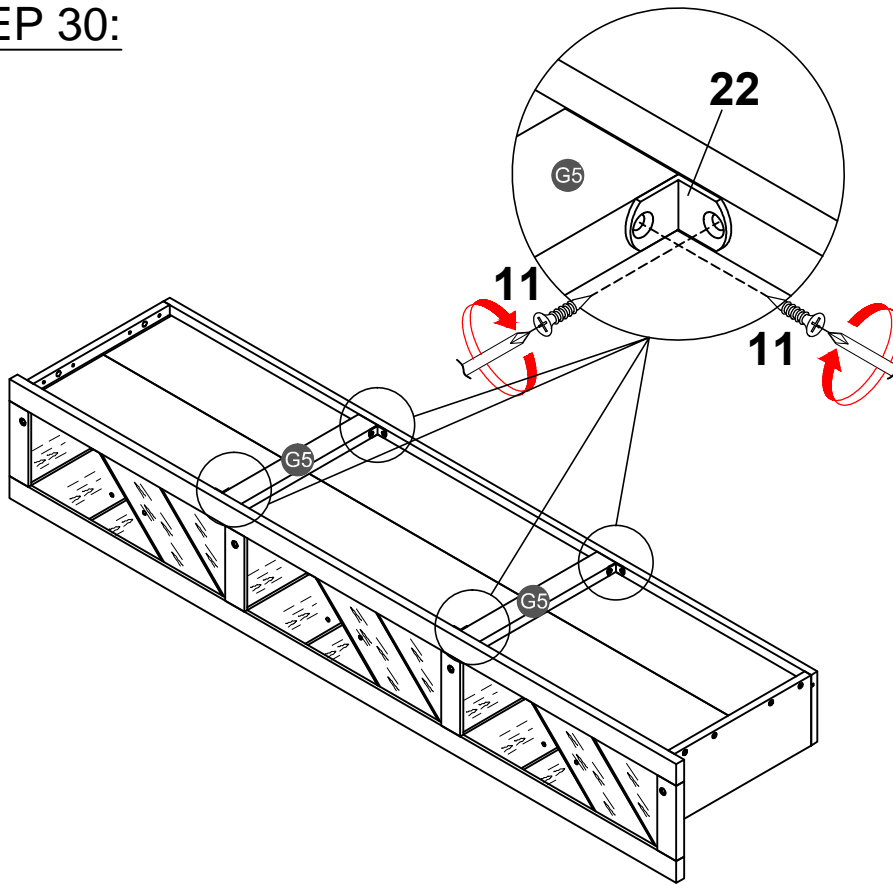
STEP 29:


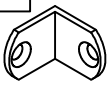
TYPE 1

2		4		9	
16PCS		4PCS		4PCS	

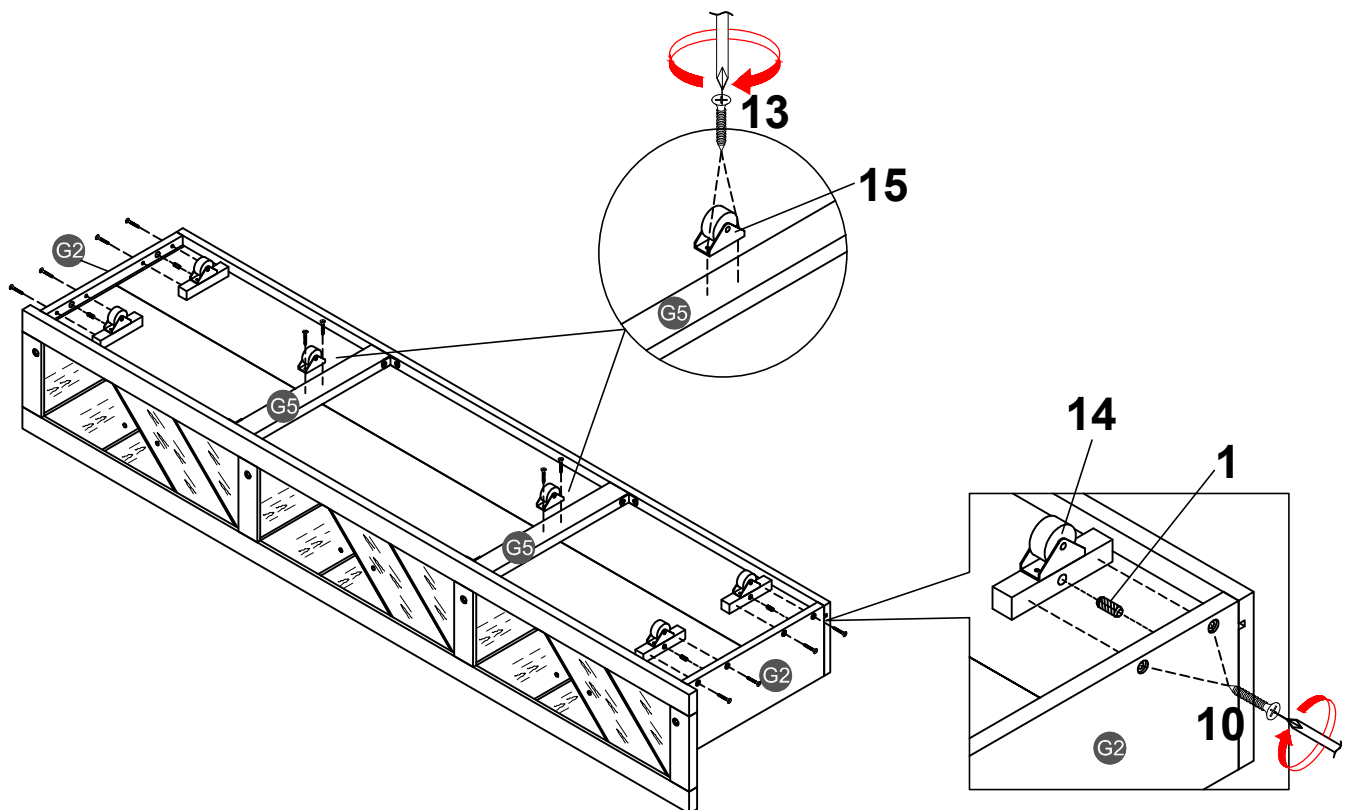




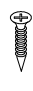


STEP 30:



11		22	
	8PCS		4PCS

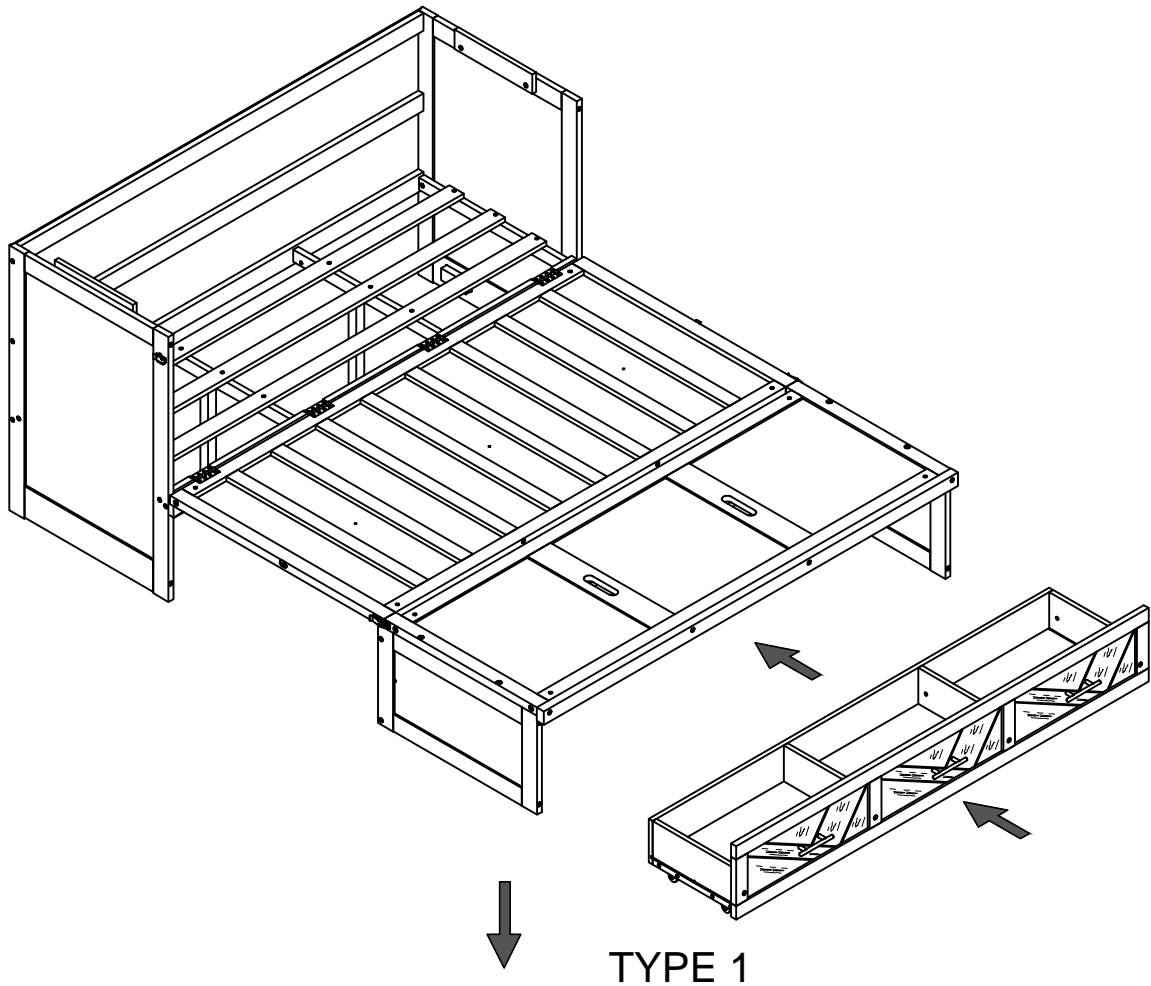
STEP 31:



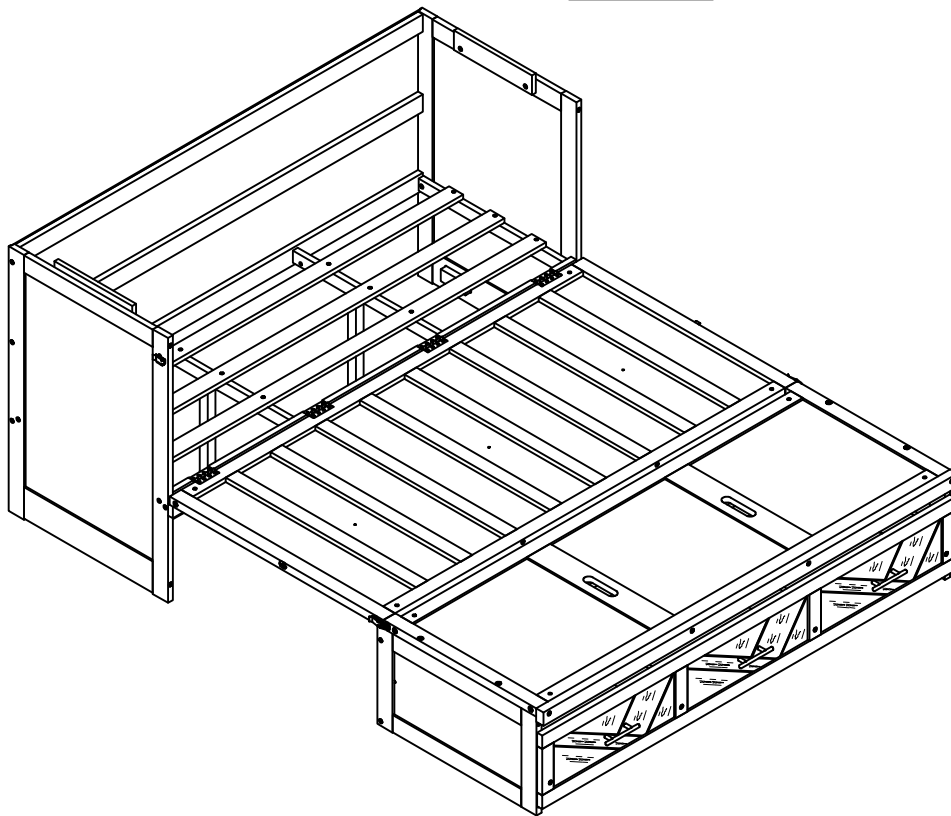
1		10		13		14		15	
	4PCS		8PCS		4PCS		4PCS		2PCS

STEP 33:

TYPE 1



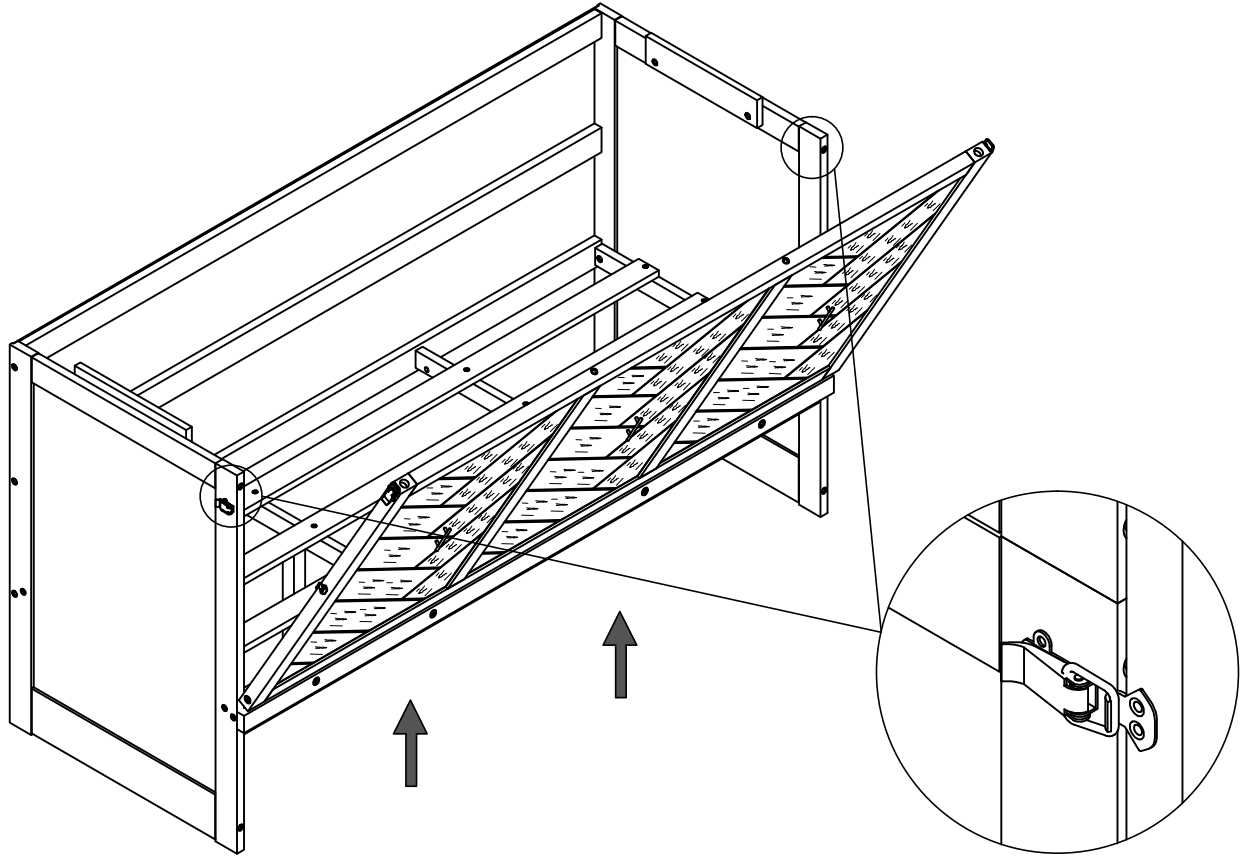
TYPE 1



Make sure to tighten all the screws of the bed.

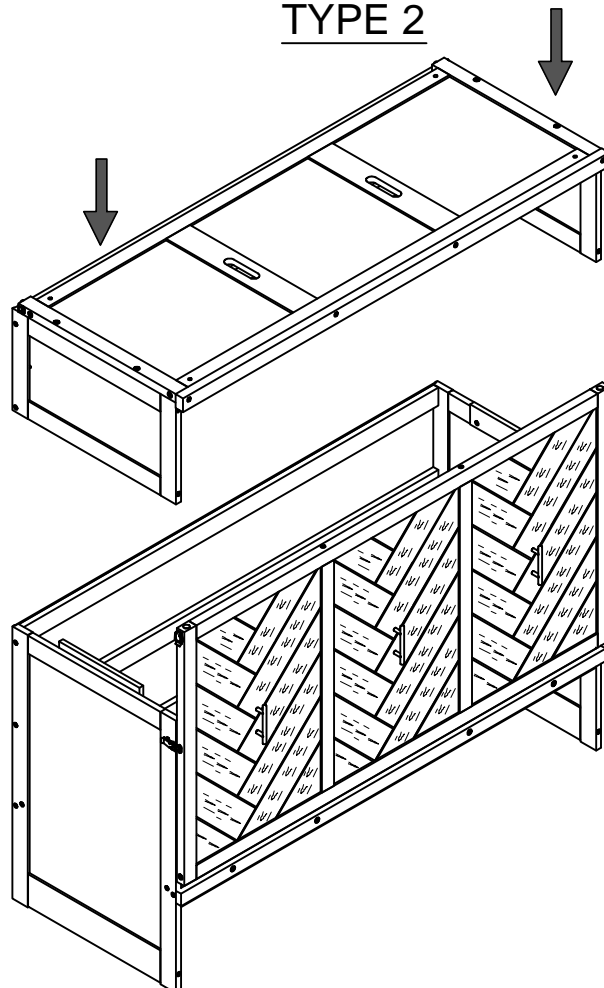
STEP 34:

TYPE 2



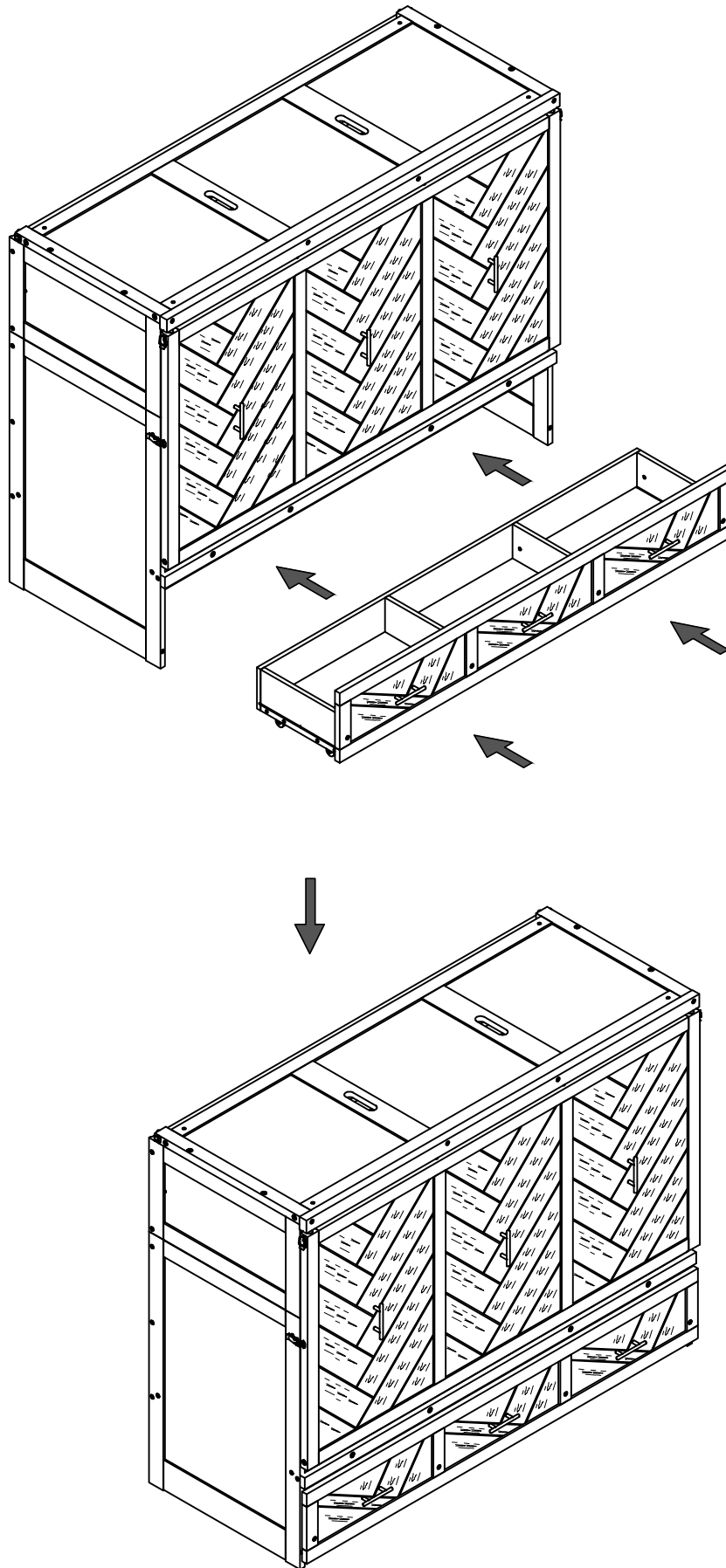
STEP 35:

TYPE 2



STEP 36:

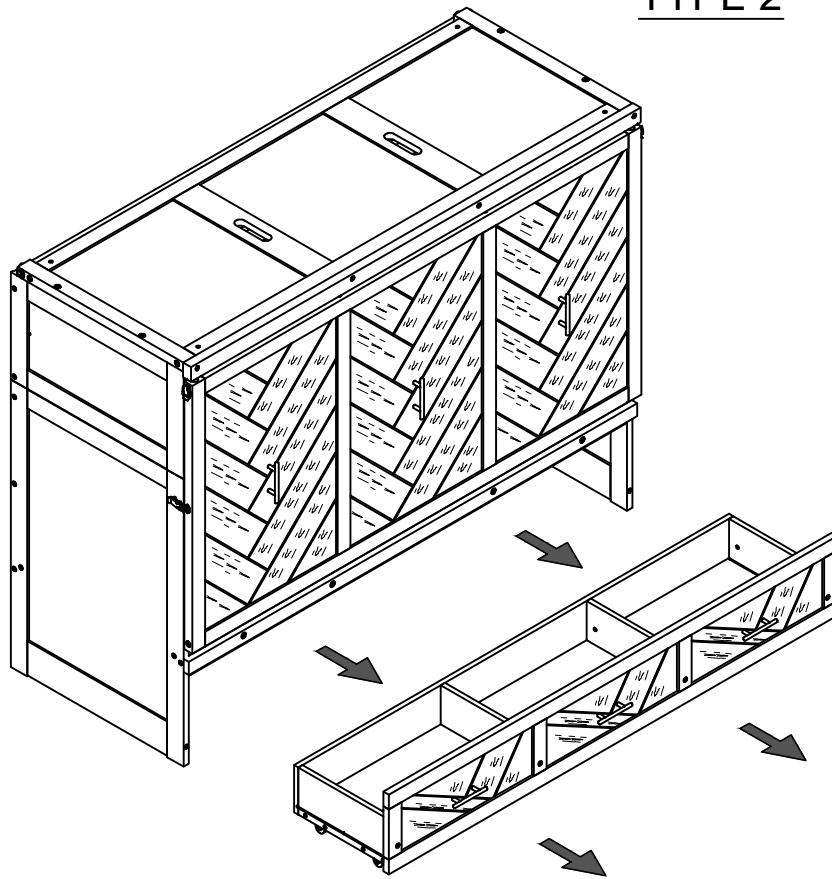
TYPE 2



Make sure to tighten all the screws of the bed.

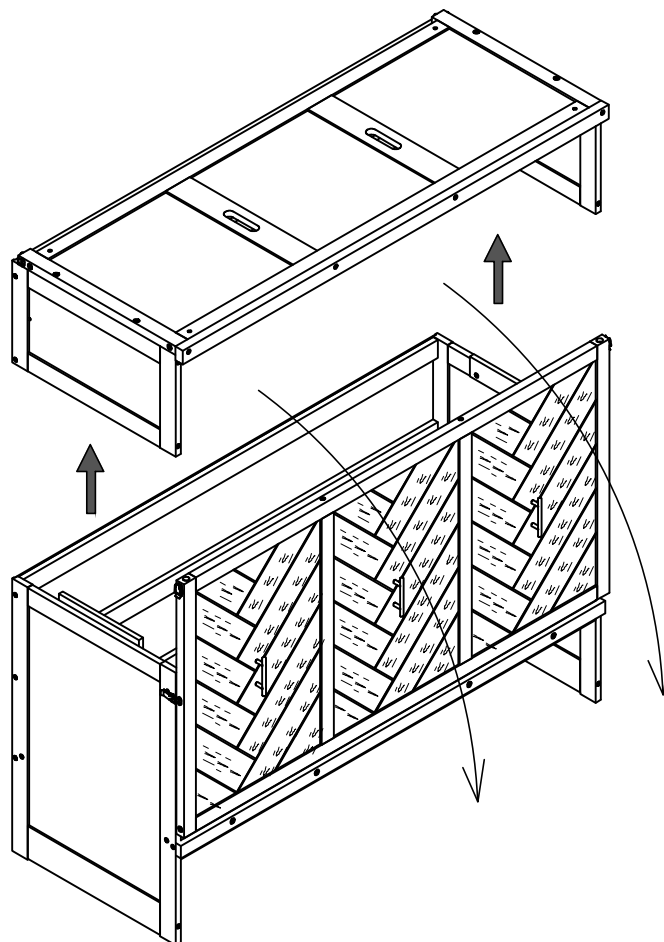
STEP 37:

TYPE 2



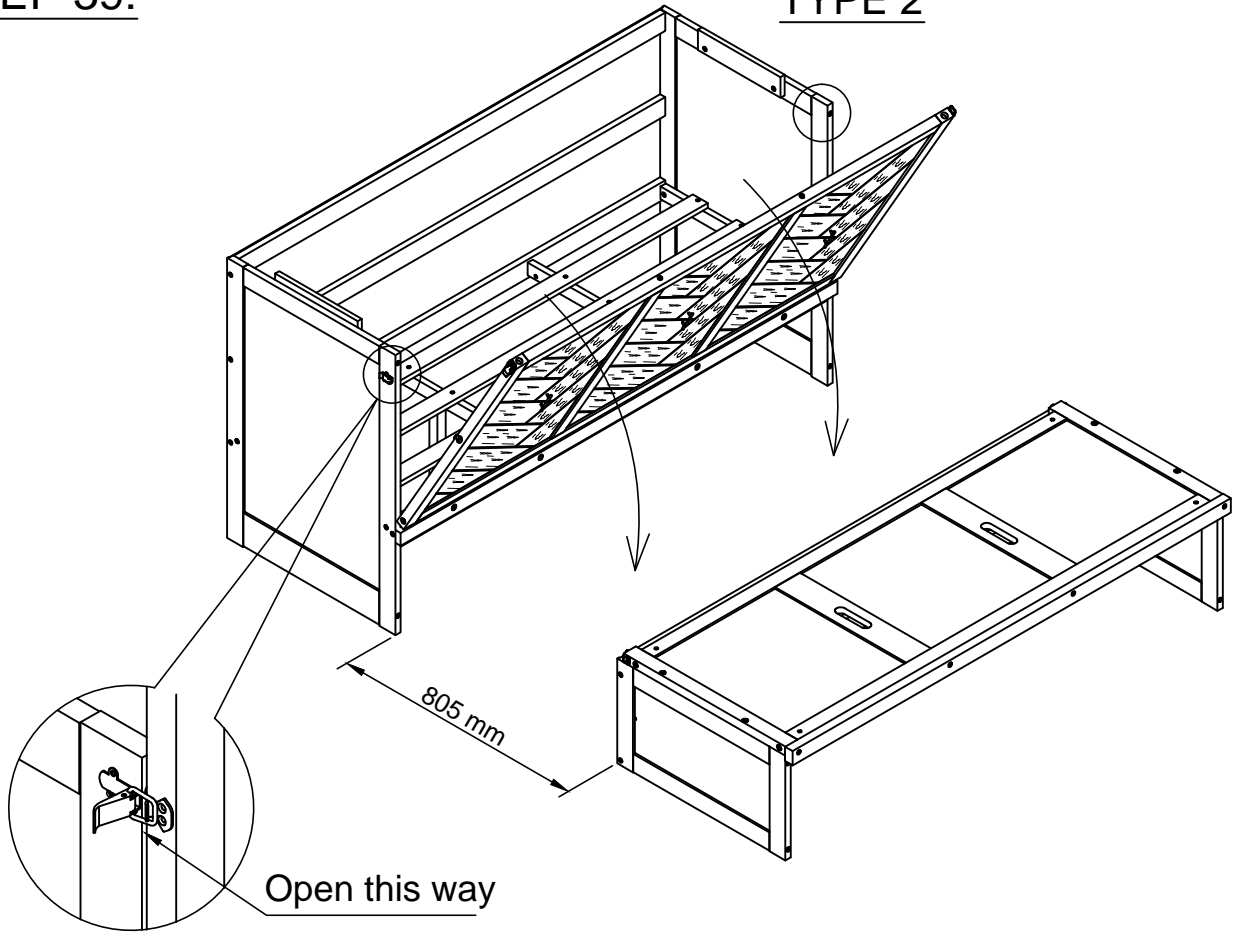
STEP 38:

TYPE 2



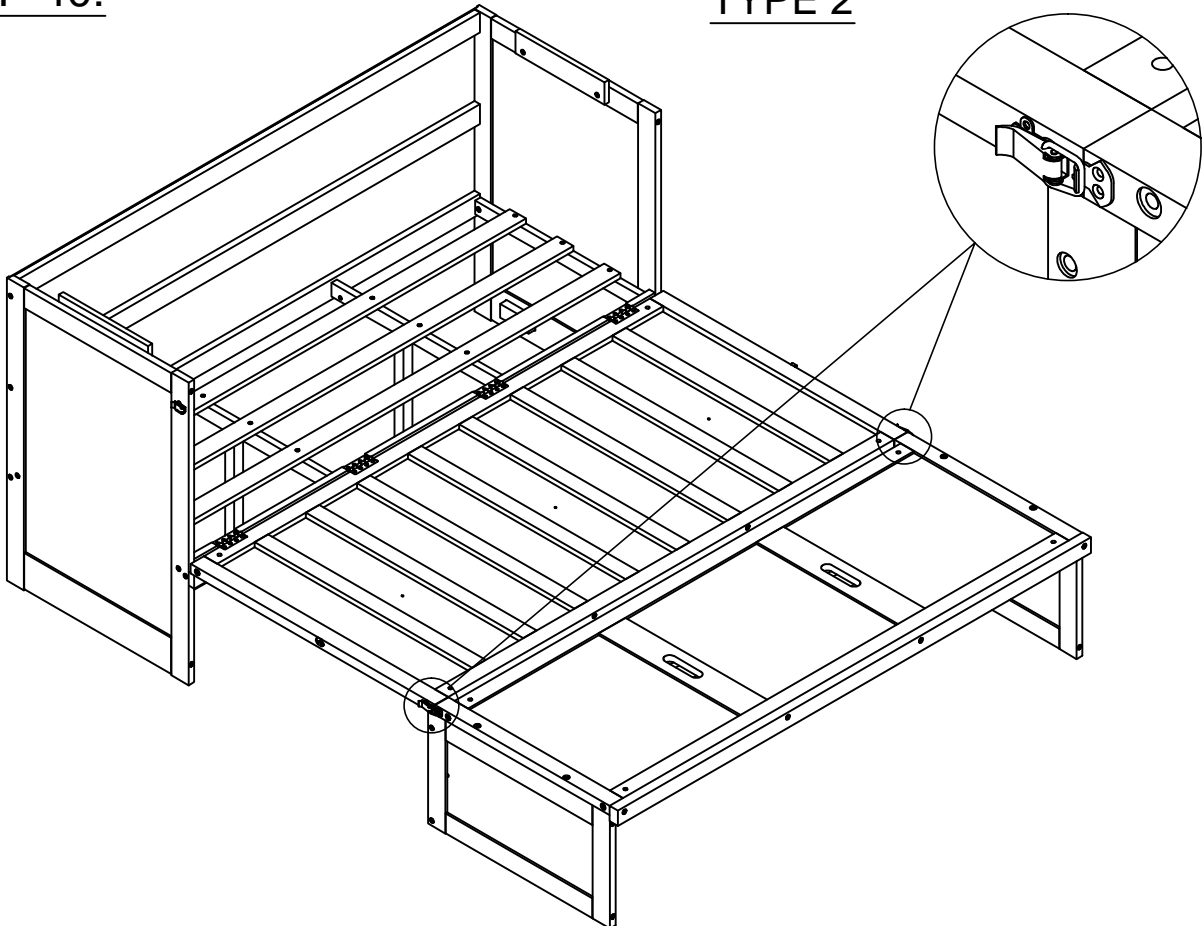
STEP 39:

TYPE 2



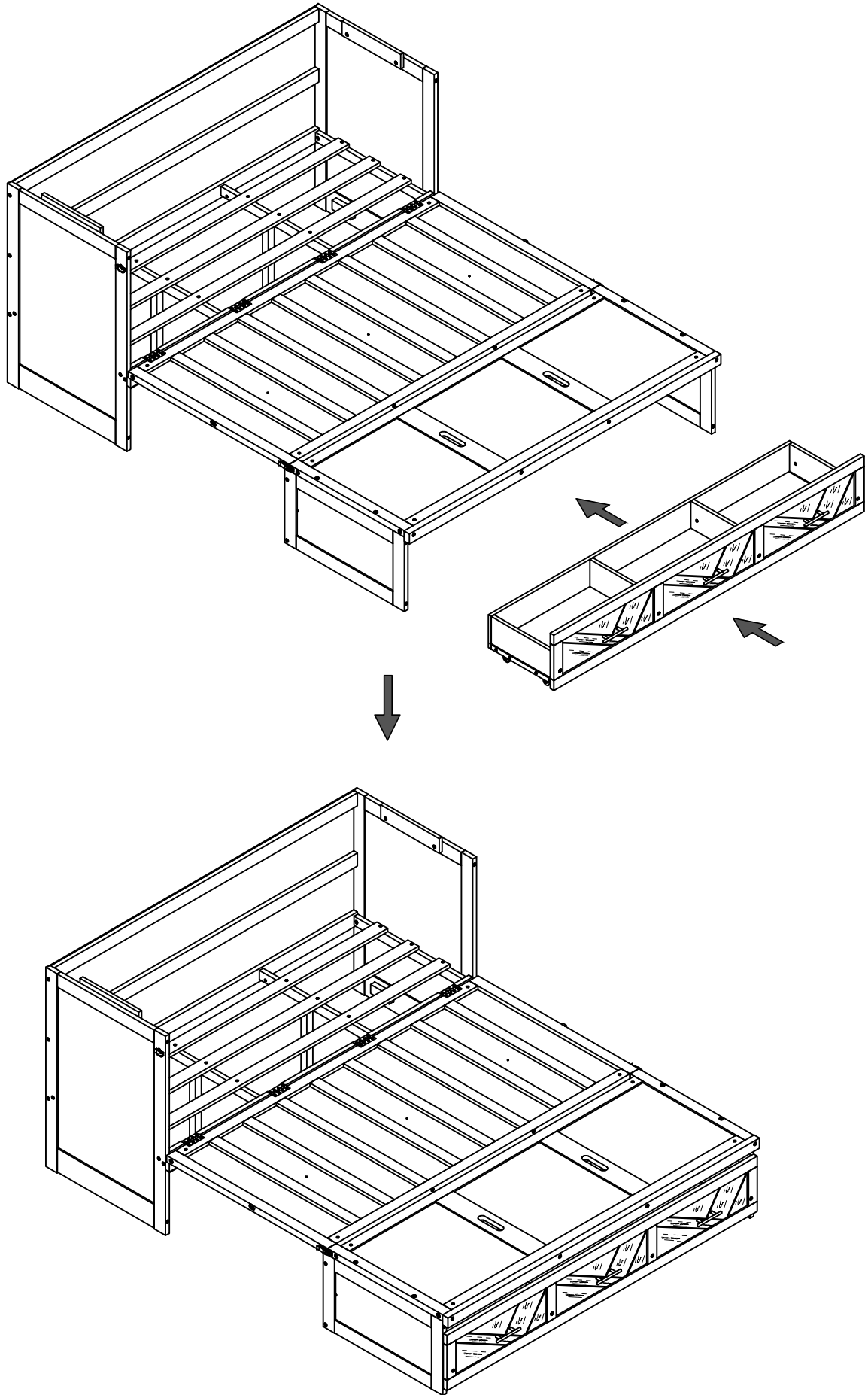
STEP 40:

TYPE 2

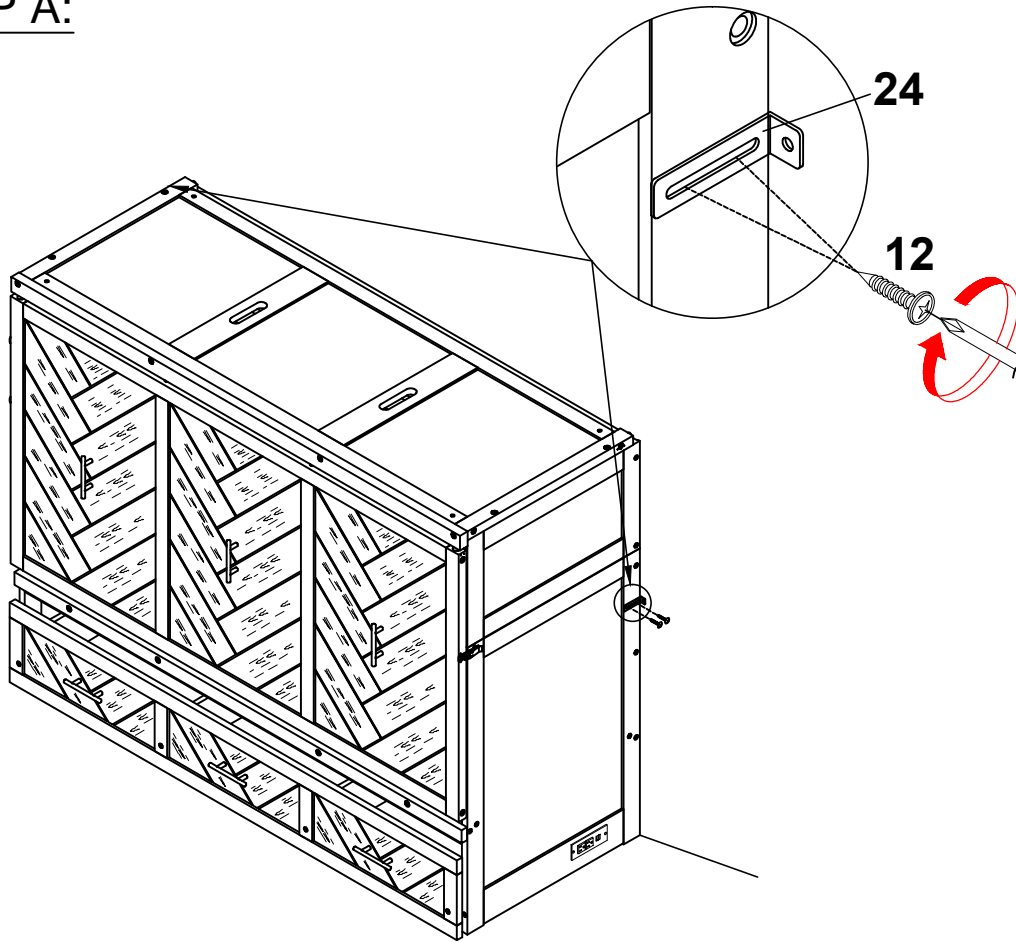




STEP 41:

TYPE 2



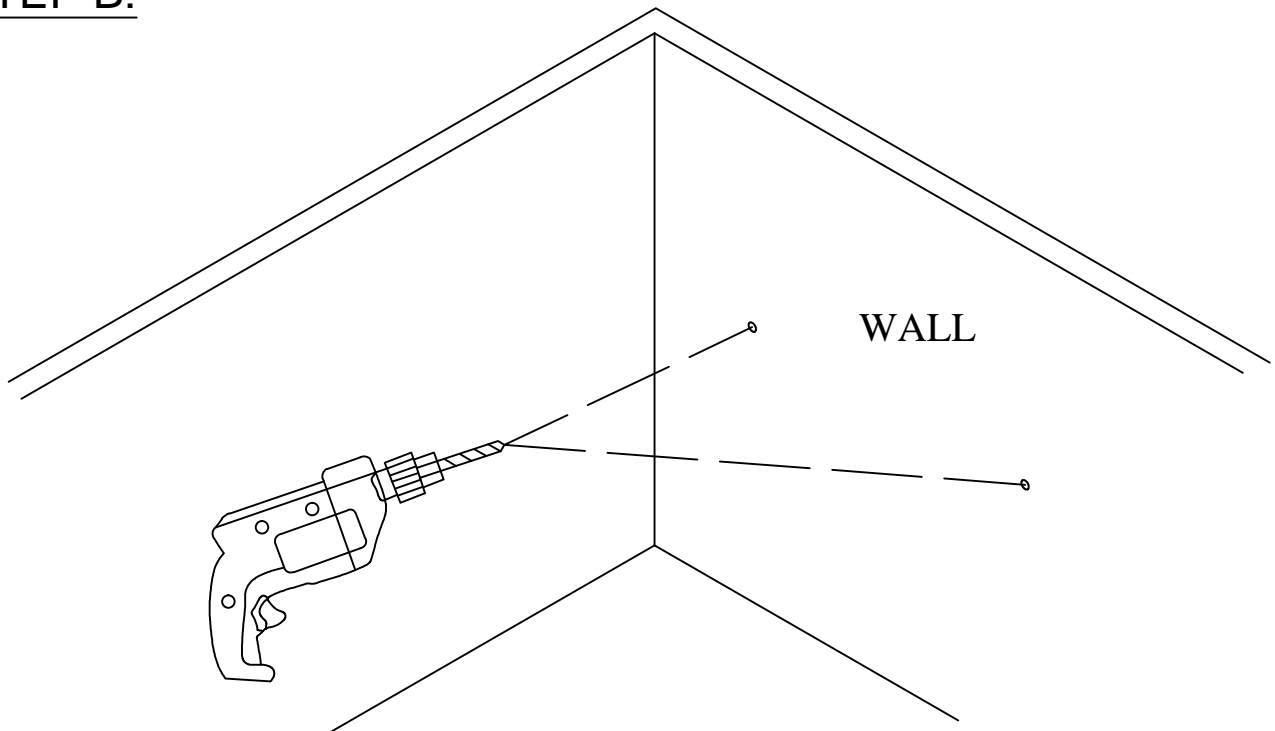
STEP A:



12	
4PCS	
24	
2PCS	

Installing the Anti-Tip Bracket.

STEP B:



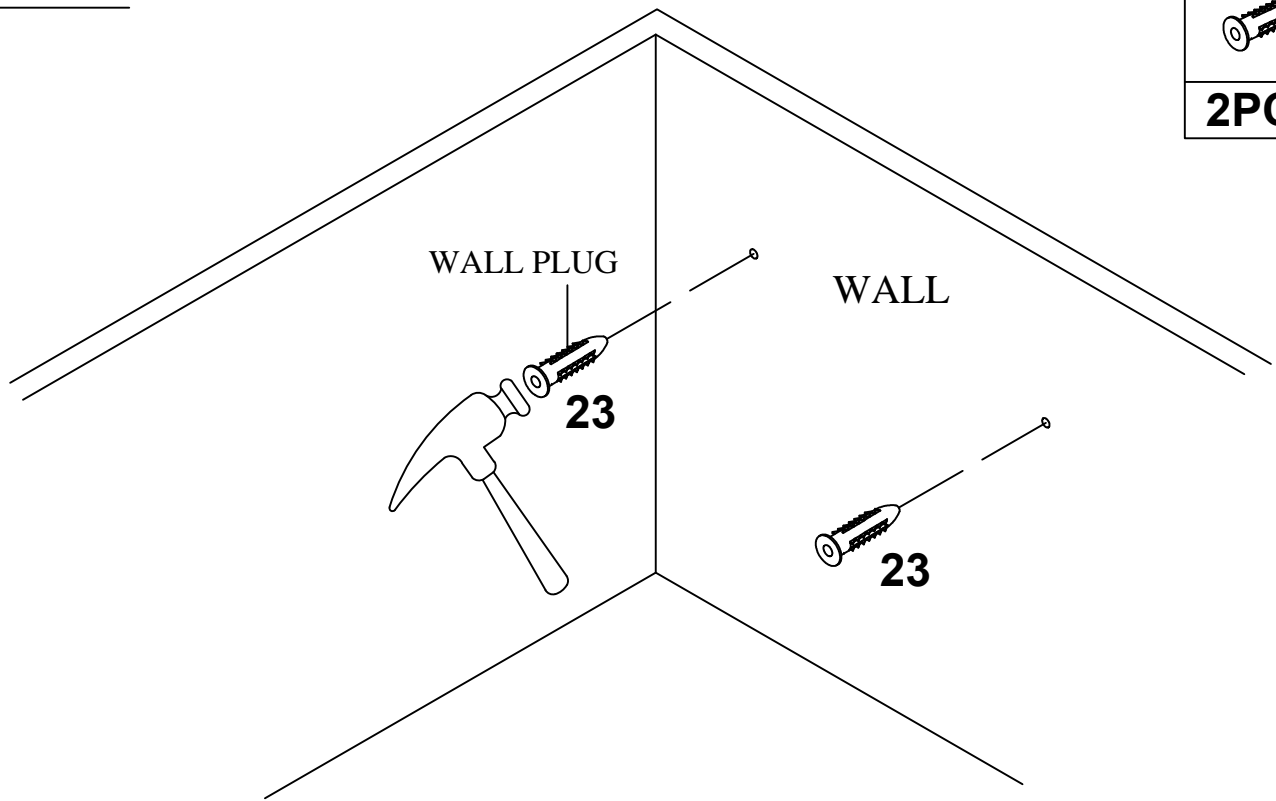
Drill holes in the wall.

STEP C:

23



2PCS



Tap plastic anchor in with a hammer or mallet.

STEP D:

25



2PCS

Fix the bracket to the wall with screw.

