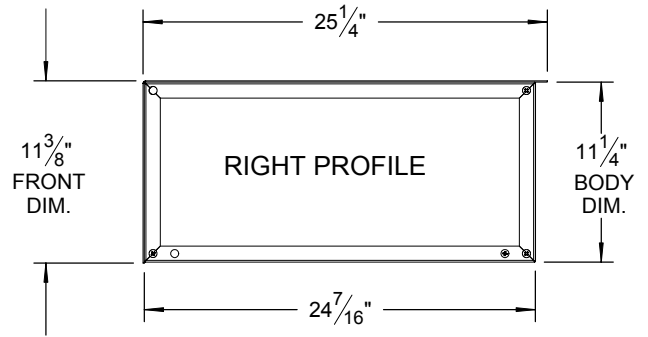
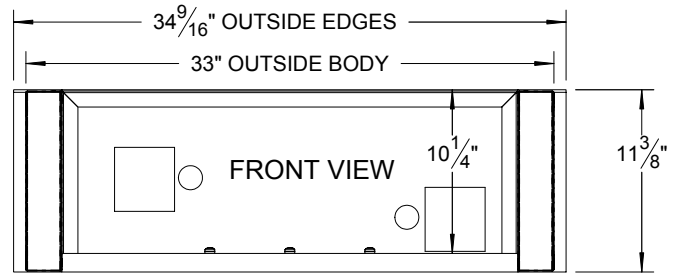
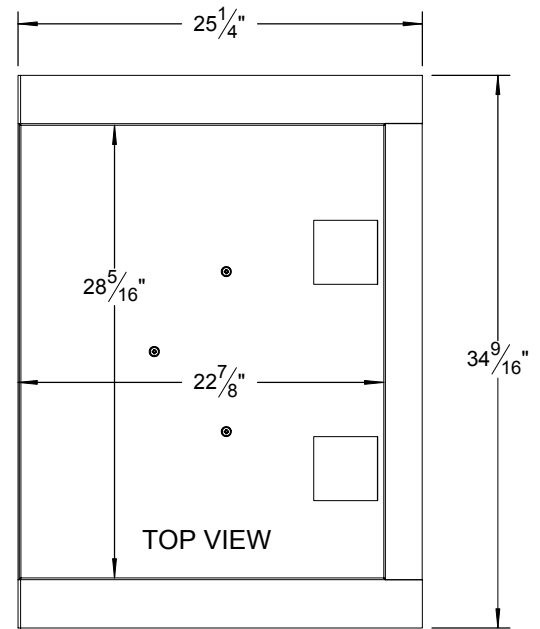
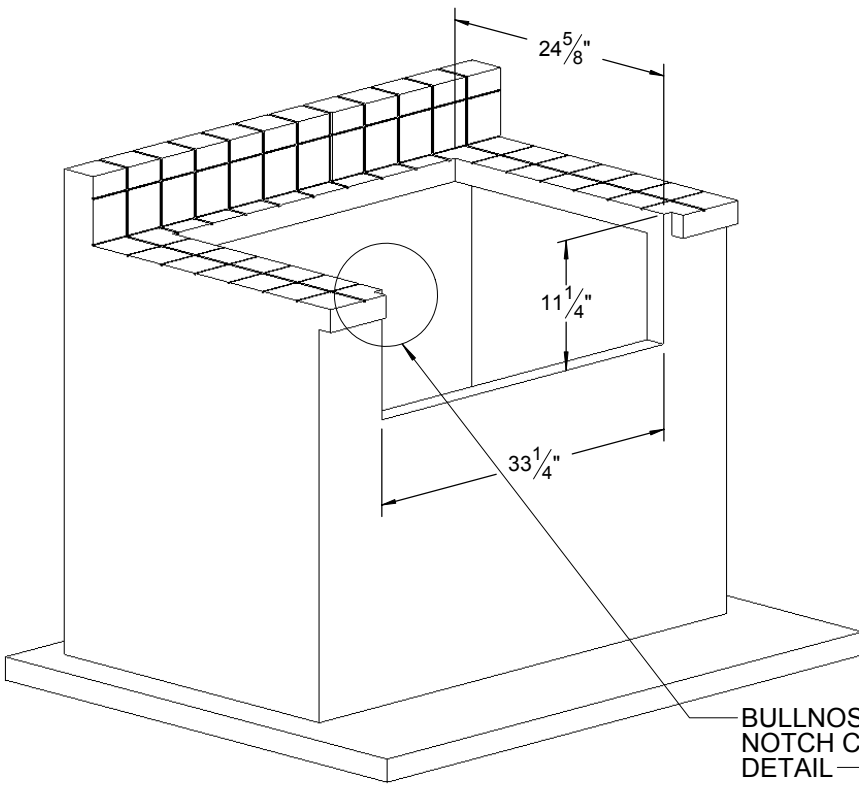


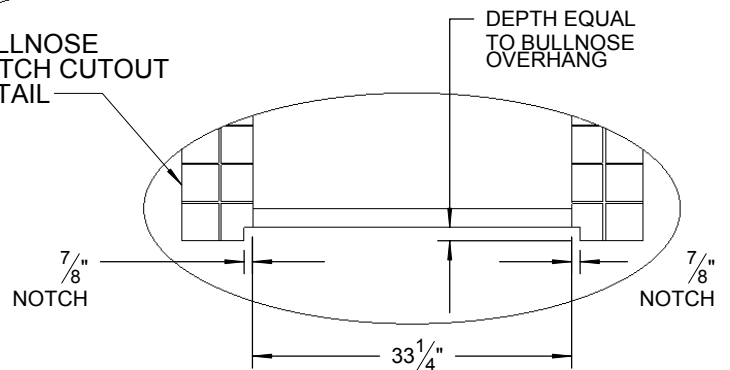
**AIJ-30 TYPICAL INSTALLATION**



**COUNTER CUTOUT REQUIREMENTS**



**BULLNOSE NOTCH CUTOUT DETAIL**



**NOTE:**

COUNTER MUST HAVE THE PROPER ELECTRICAL AND GAS SUPPLY FOR YOUR BARBEQUE MODEL. REFER TO YOUR BARBEQUE UNIT'S MANUAL AND SERIAL PLATE INFORMATION FOR INFORMATION.