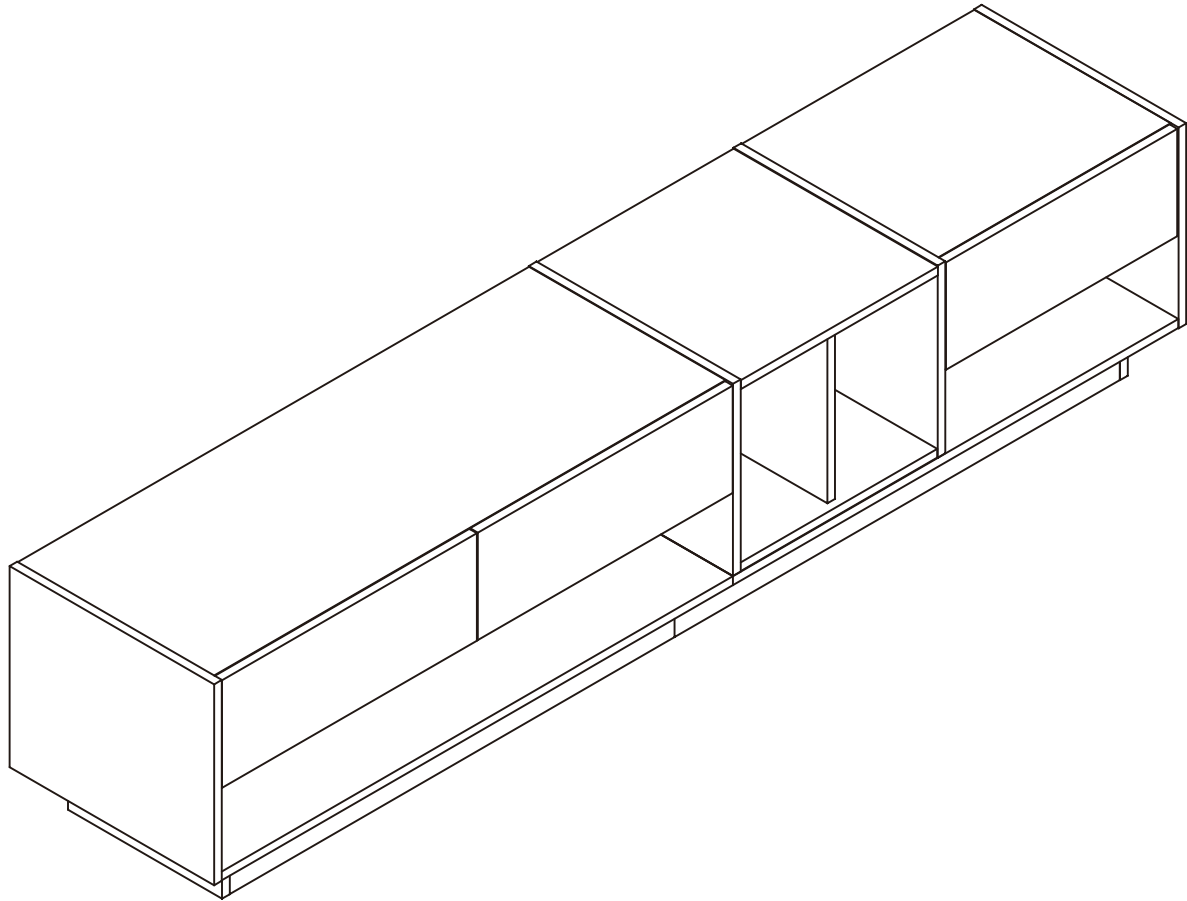


# TV Stand

Assembly Instructions - Please keep for future reference



## Dimensions

Width-74.8inch

Depth-15.7inch

Height-16.5inch

**Important – Please read these instructions fully before starting assembly**



# Safety and Care Advice

**Important – Please read these instructions fully before starting assembly**

- Check you have all the components and tools listed on the following pages.
- Remove all fittings from the plastic bags and separate them into their groups.
- Keep children and animals away from the work area, small parts could choke if swallowed.
- Make sure you have enough space to layout the parts before starting.

- During assembly do not stand or put weight on the product, this could cause damage.
- Assemble the item as close to its final position (in the same room) as possible.
- Assemble on a soft level surface to avoid damaging the unit or your floor.
- Parts of the assembly will be easier with 2 people.



- To reduce the likelihood of damaging your product please ensure that your power drill is set on a low torque setting.

## Care and maintenance

- Only clean using a damp cloth and mild detergent, do not use bleach or abrasive cleaners.
- From time to time check that there are no loose screws on this unit.
- This product should not be discarded with household waste. Take to your local authority waste disposal centre.

## Handy Hints

- Assemble all parts and bolts loosely during assembly, only once the product is complete should you fully tighten the bolts
- Regularly check and ensure That all bolts and fittings are tightened properly.

**WARNING**  
**In order to help prevent overturning – please follow these instructions**

To help prevent product toppling over please follow the below steps:-

- Use the anti tip stap or wall fixing method provided (if applicable)
- Do not allow children to climb or hang on the furniture
- Do not open more than one drawer at a time
- Do not place heavy items in the top drawers
- Do not place heavy items on top of the furniture, unless the furniture has been designed for this purpose

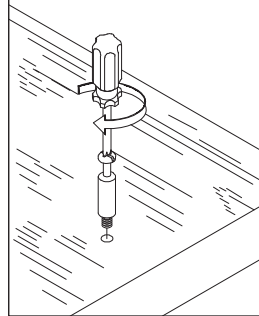
# Using Camlocks

## Step 1

Connect the male camlock as directed in the assembly instructions using a screwdriver.

1

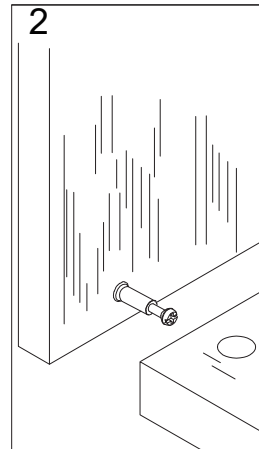
DO NOT OVER TIGHTEN.  
NE PAS SERRER EXCESSIVEMENT.



## Step 2

Push the male camlock into the entry hole.

2

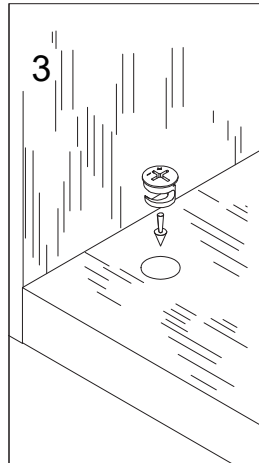


## Step 3

Insert the female camlock as shown in the instruction.

Note: ensure that the arrow on the top of the camlock points towards the entry hole for the male camlock.

3



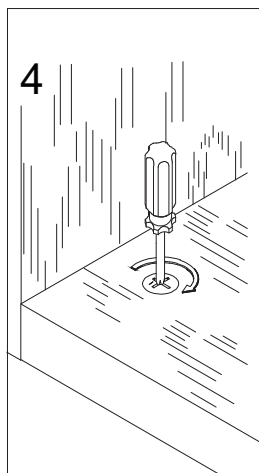
## Step 4

Turn the female camlock clockwise with a screwdriver.

You should feel a click when the camlock is locked in place.

The joint is now secure.

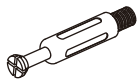


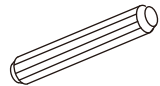
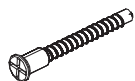
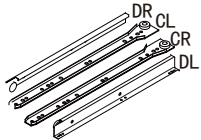


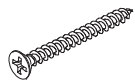
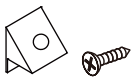

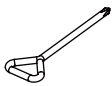
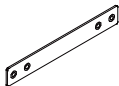
4



# Components-Fittings

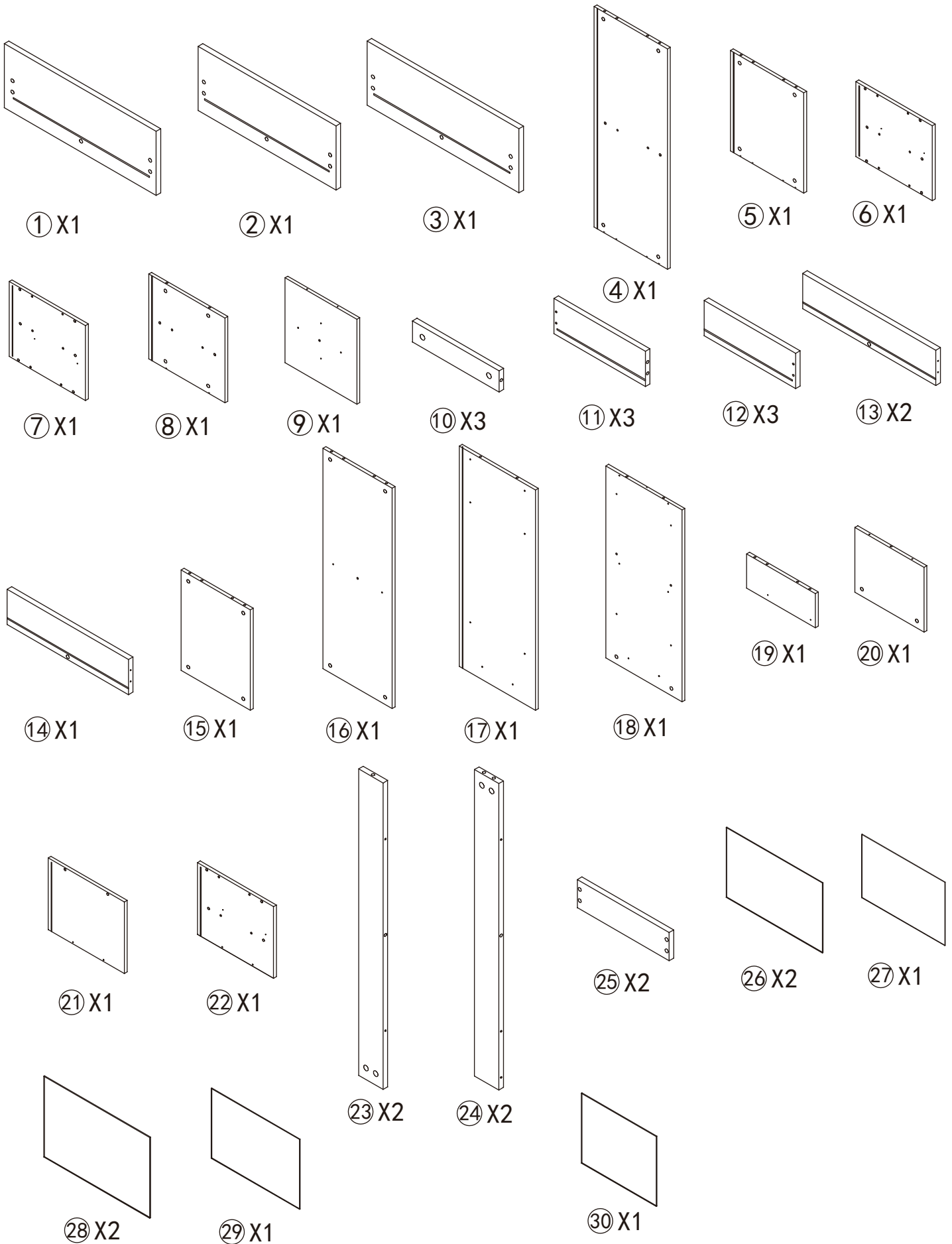
Please check you have all the panels listed below

Note: The quantities below are the correct amount to complete the assembly. In some cases more fittings may be supplied than are required.

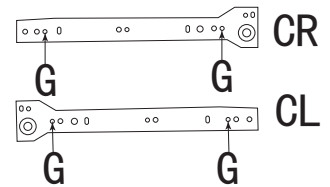
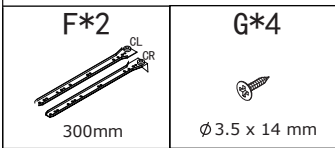
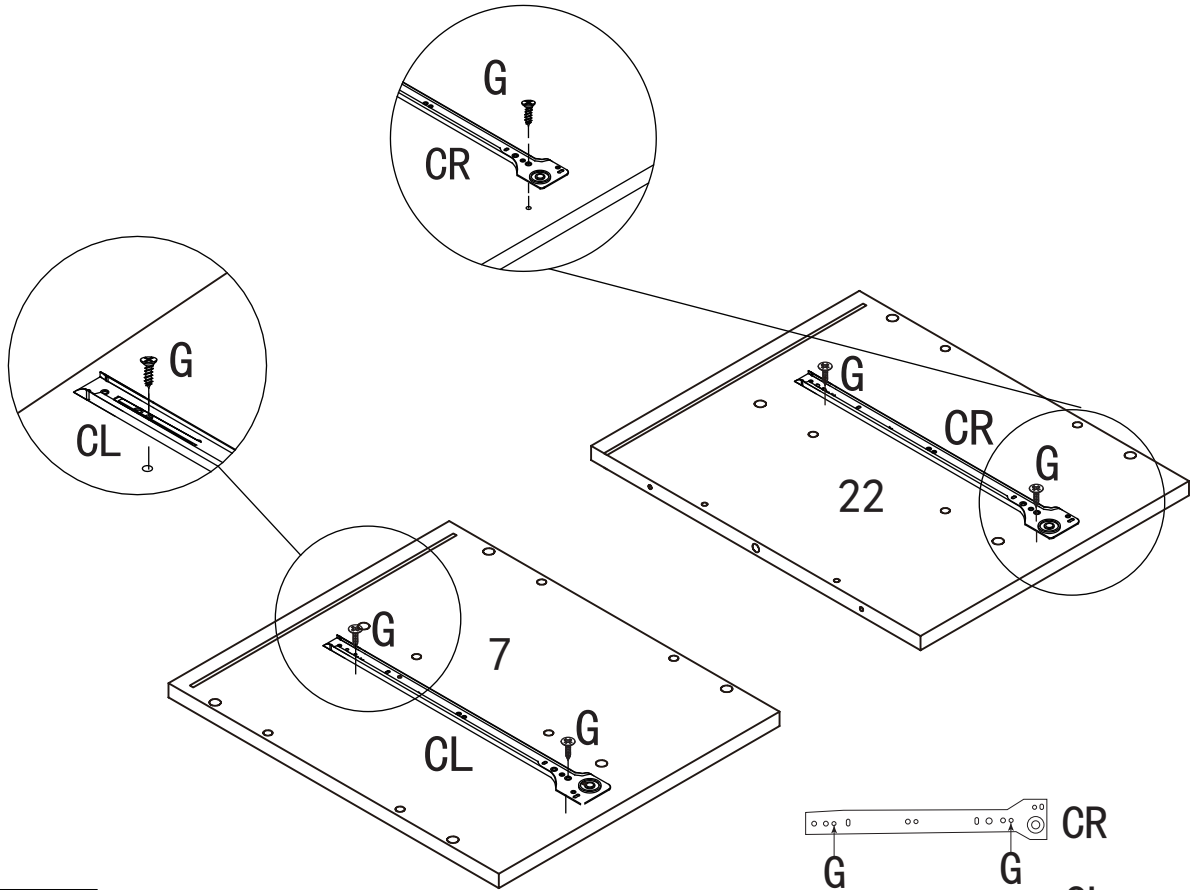
<p>(A)</p>  <p>Cam Bolt x 54+3</p>	<p>(B)</p>  <p>Cam Lock x 54+3</p>	<p>(C)</p>  <p>8*30mm Dowel x 33+2</p>	<p>(D)</p>  <p>8*40mm Dowel x 2+1</p>
<p>(E)</p>  <p>5*40mm Screw x 22+2</p>	<p>(F)</p>  <p>300mm Slide x 3</p>	<p>(G)</p>  <p>3.5*14mm Screw x 28+2</p>	<p>(H)</p>  <p>3.5*25mm Screw x 2+1</p>
<p>(J)</p>  <p>3.5*40mm Screw x 16+2</p>	<p>(K)</p>  <p>Backboard buckle x 12+1</p>	<p>(L)</p>  <p>Perfect sticker x 16+2</p>	<p>(M)</p>  <p>Screwdriver x 1</p>
<p>(N)</p>  <p>Iron sheet x 1</p>			



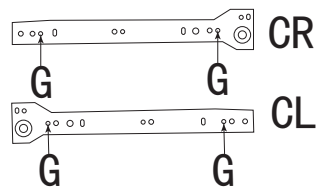
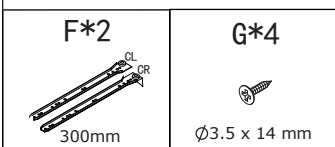
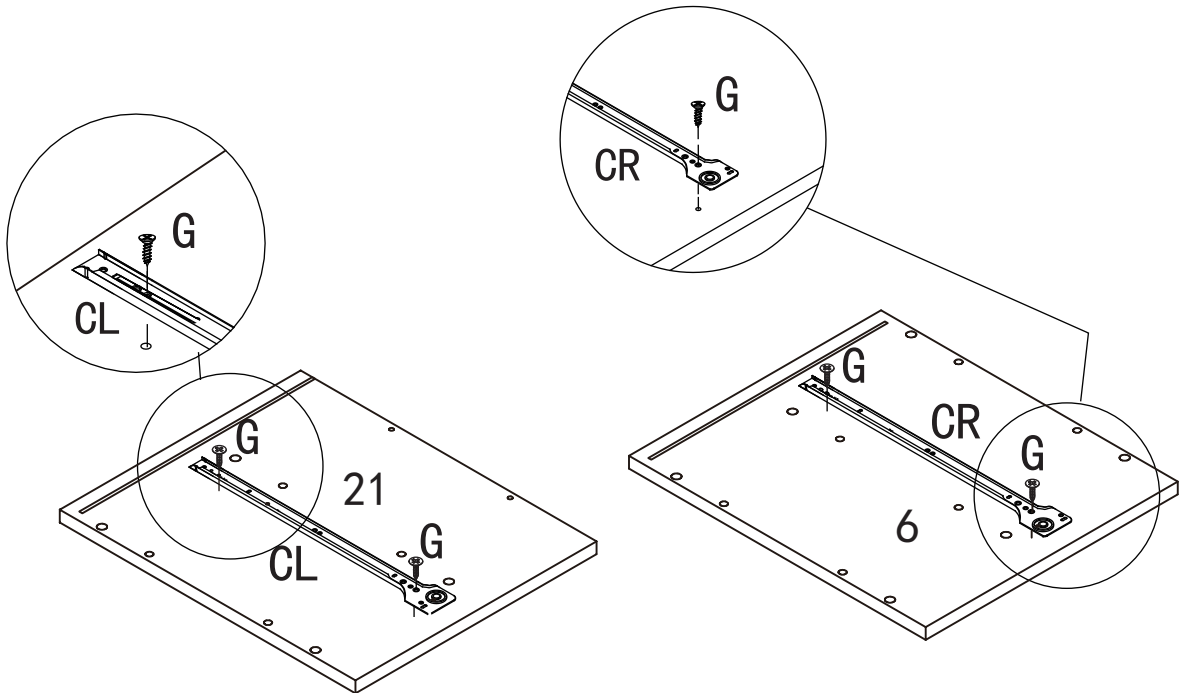
# Assembly Instructions



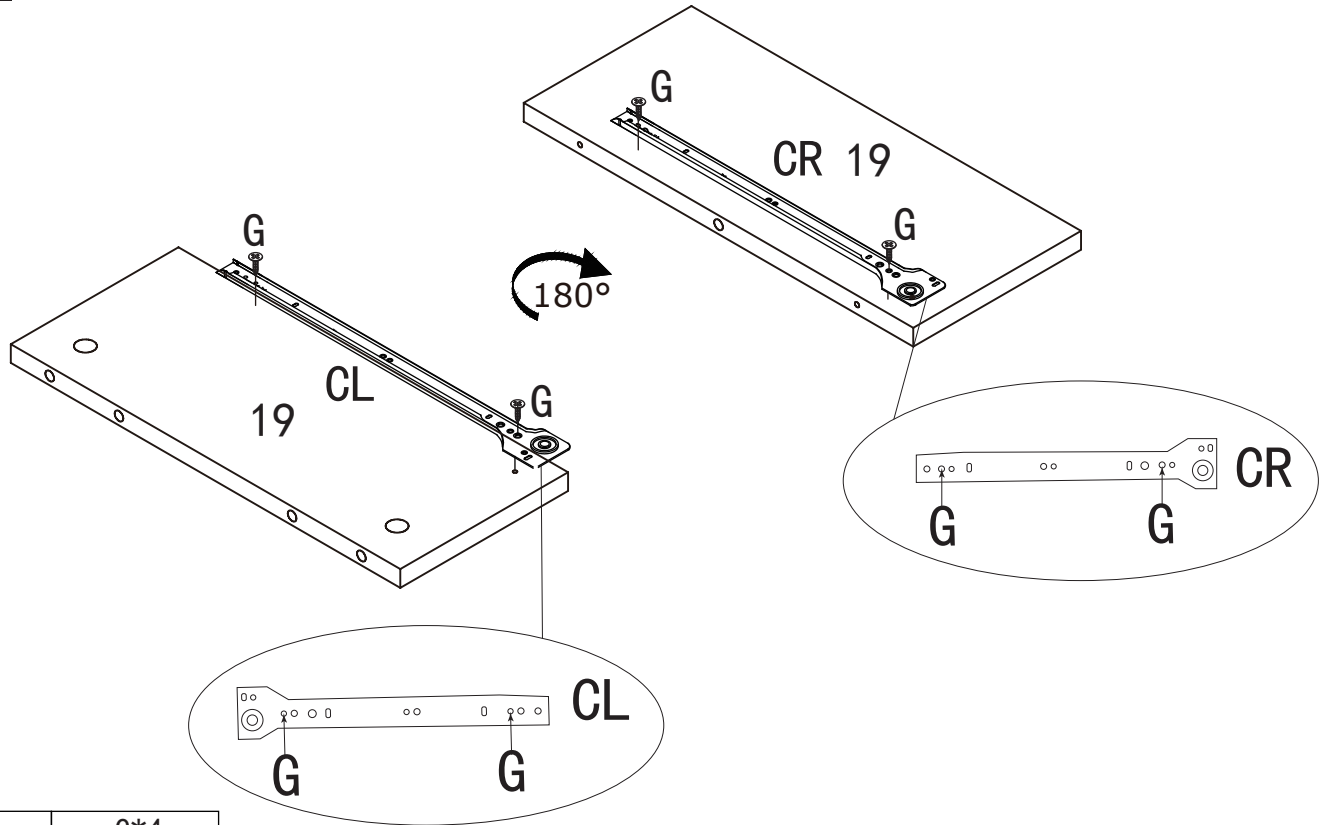
# 1.

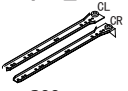



# 2.

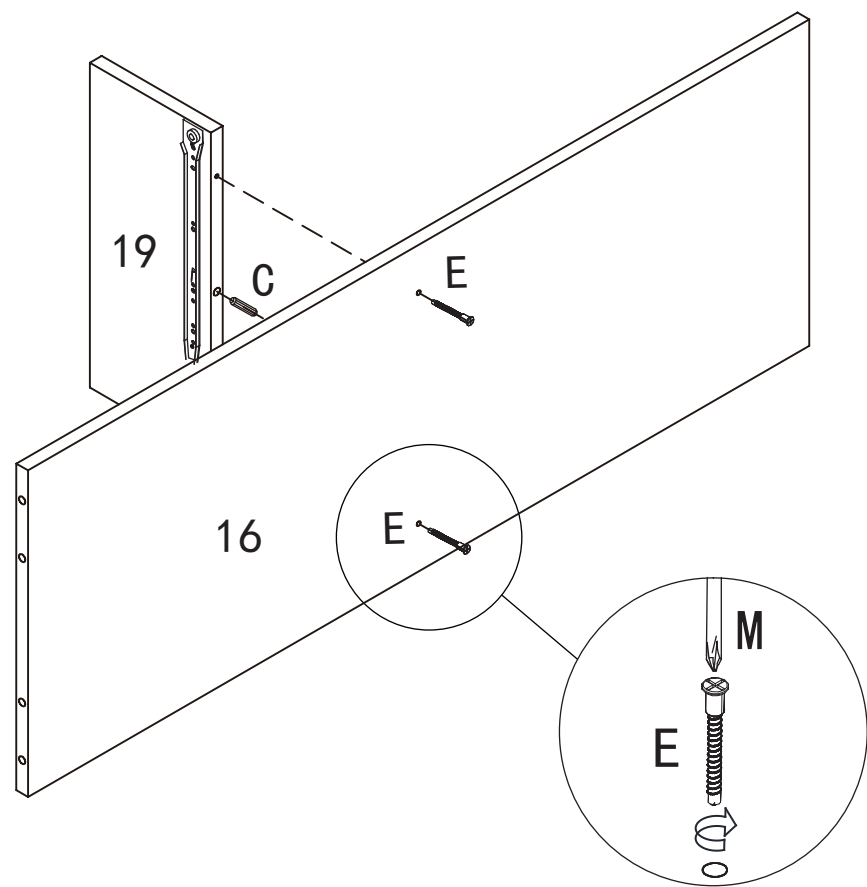


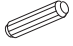

# 3.



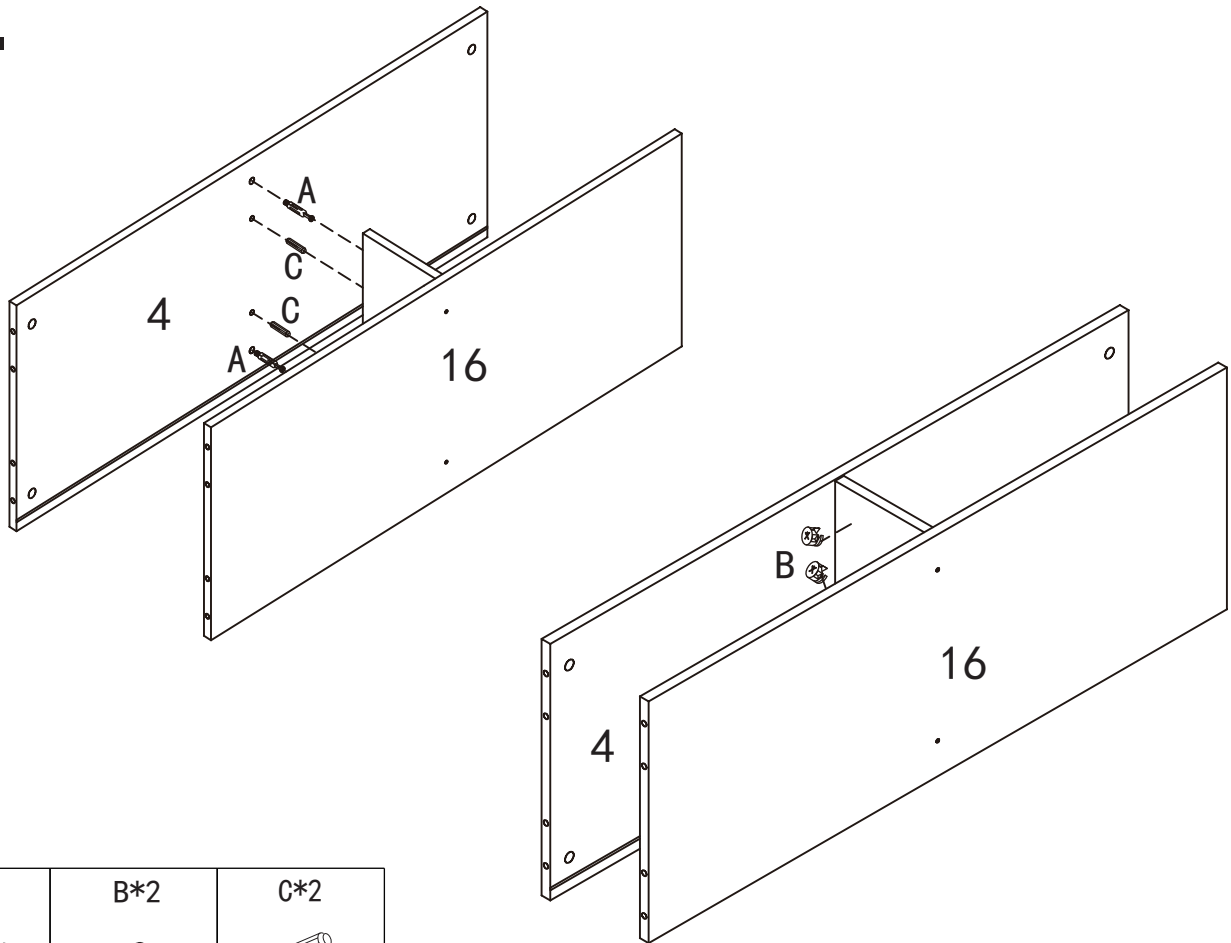
<b>F*2</b>  300mm	<b>G*4</b>  Ø 3.5 x 14 mm
---	--



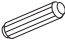
# 4.



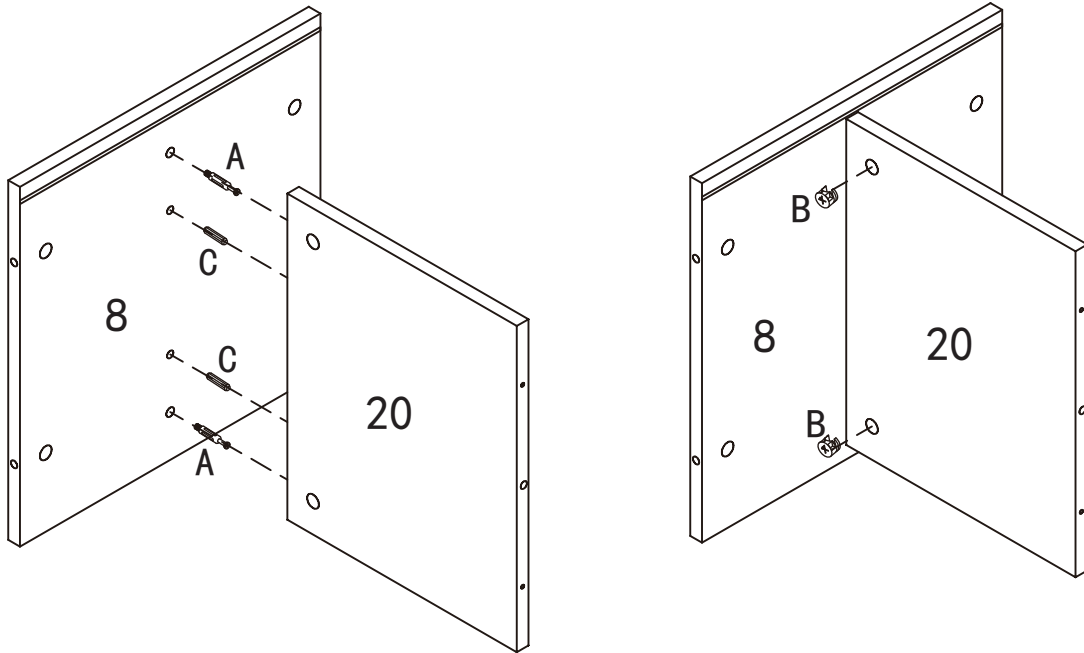
<b>C*1</b>  Ø 8 x 30 mm	<b>E*2</b>  Ø 5 x 40 mm
--	--



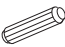
# 5.



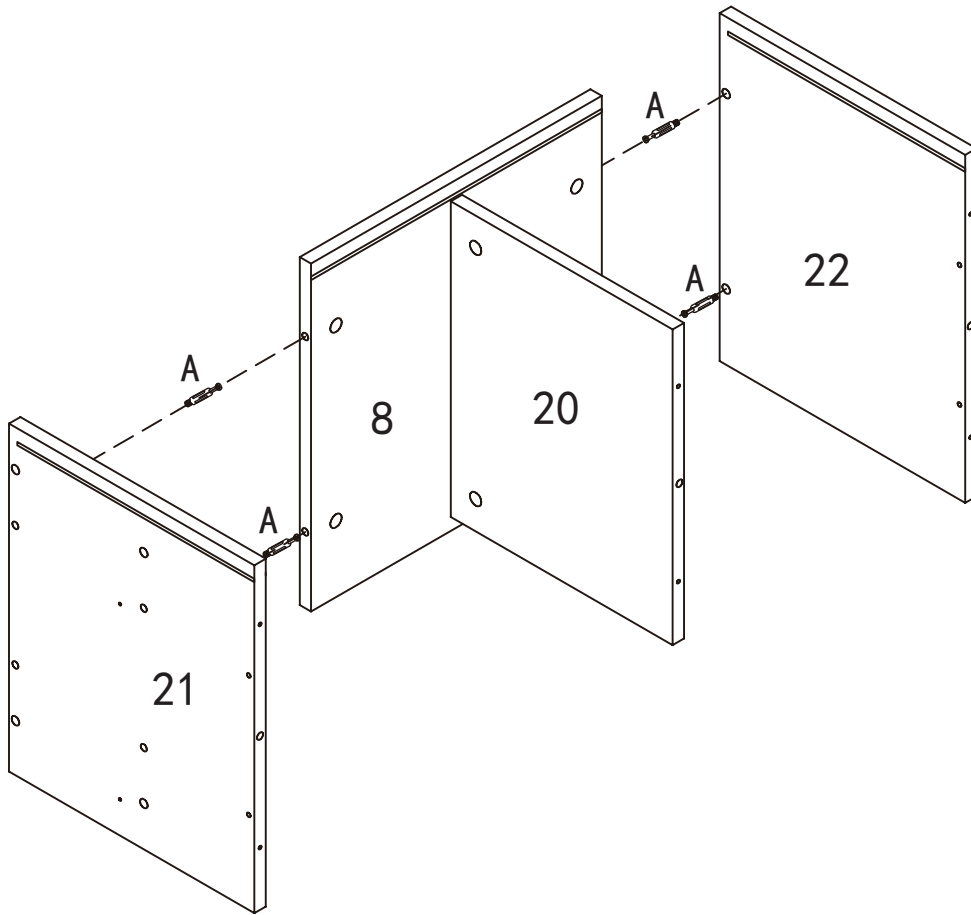
A*2 	B*2 	C*2  ø8 x 30 mm
---	--	--

# 6.



A*2 	B*2 	C*2  ø8 x 30 mm
---	--	--

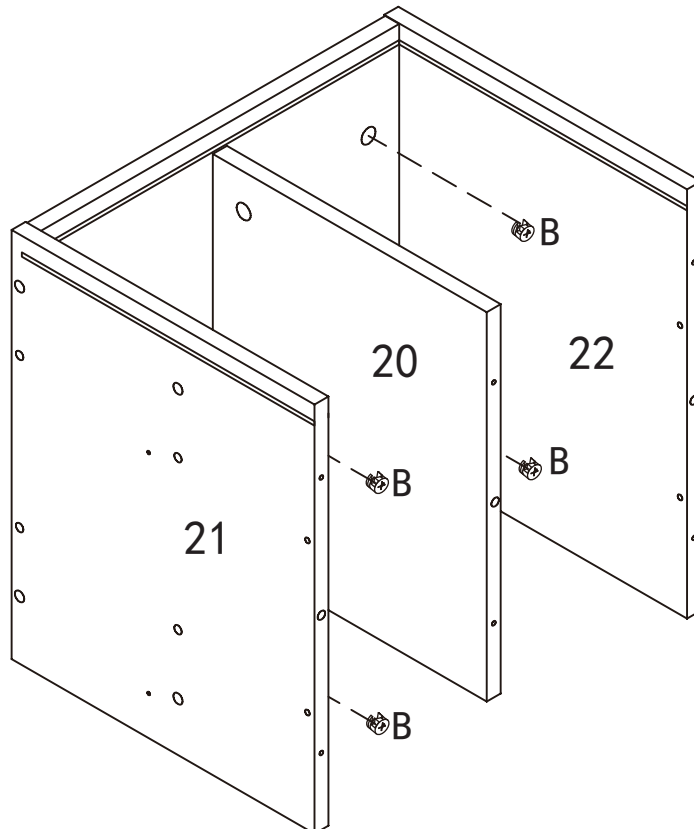
# 7.



A\*4



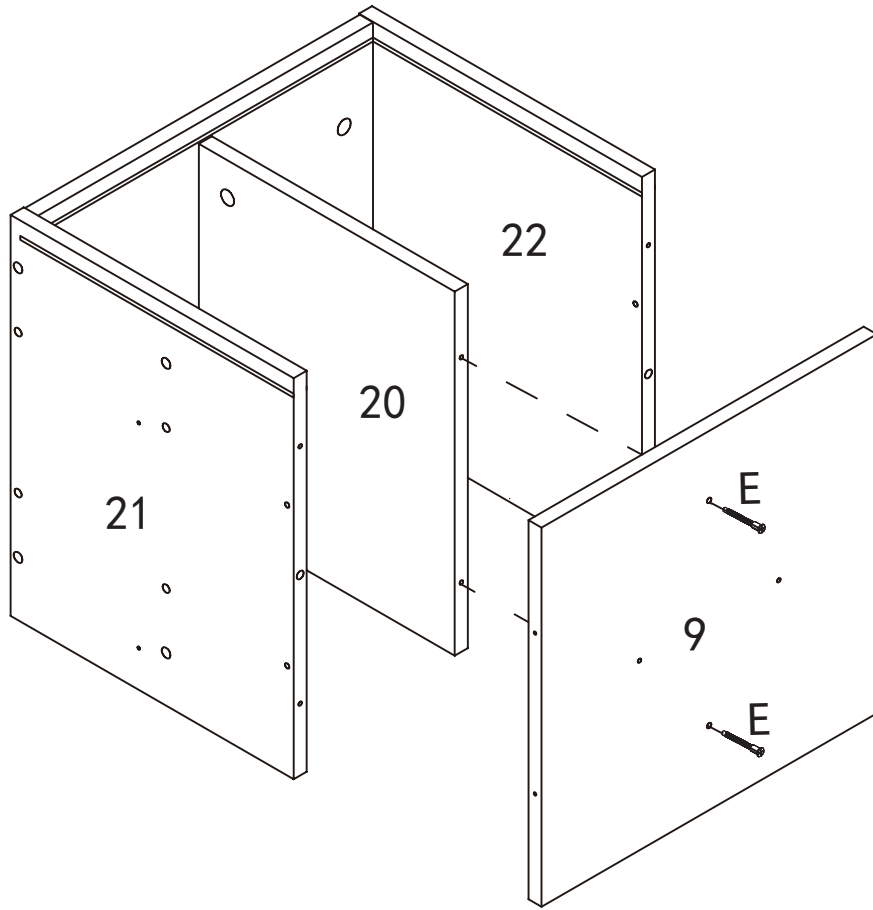
# 8.



B\*4



# 9.

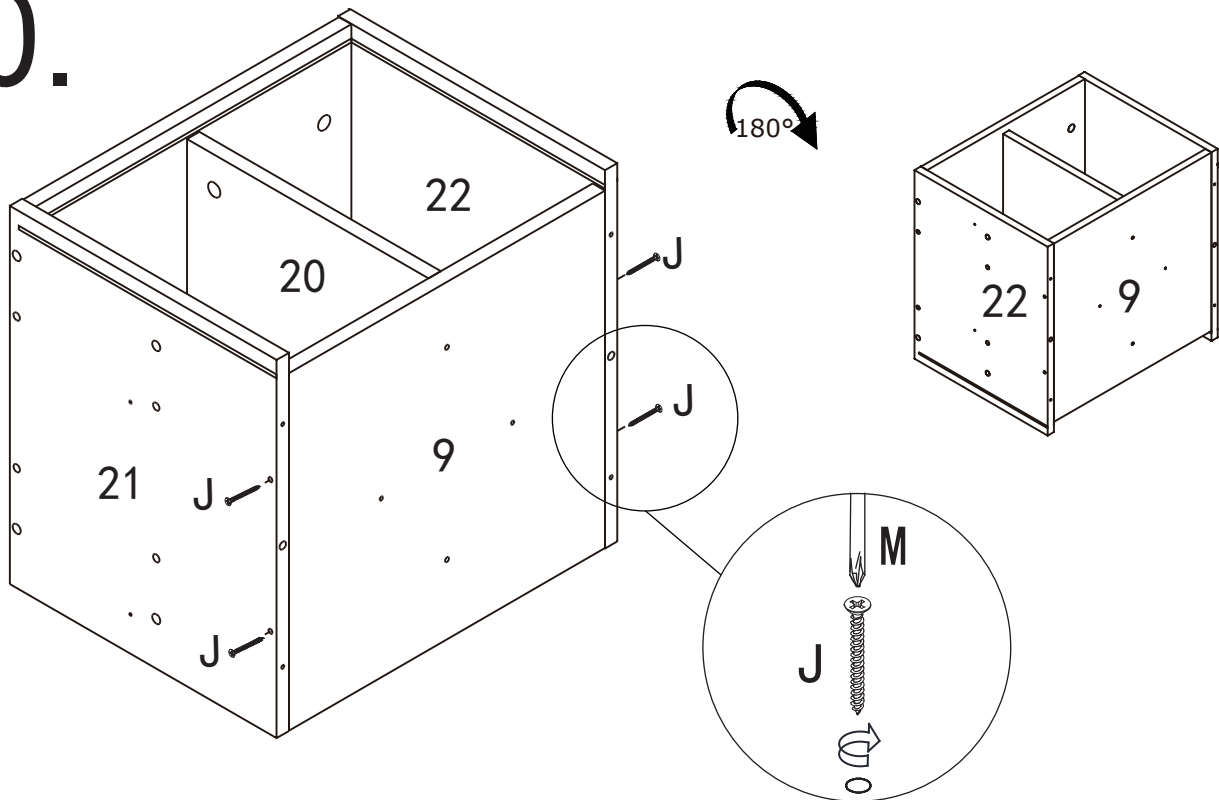


E\*2



∅5 x 40 mm

# 10.

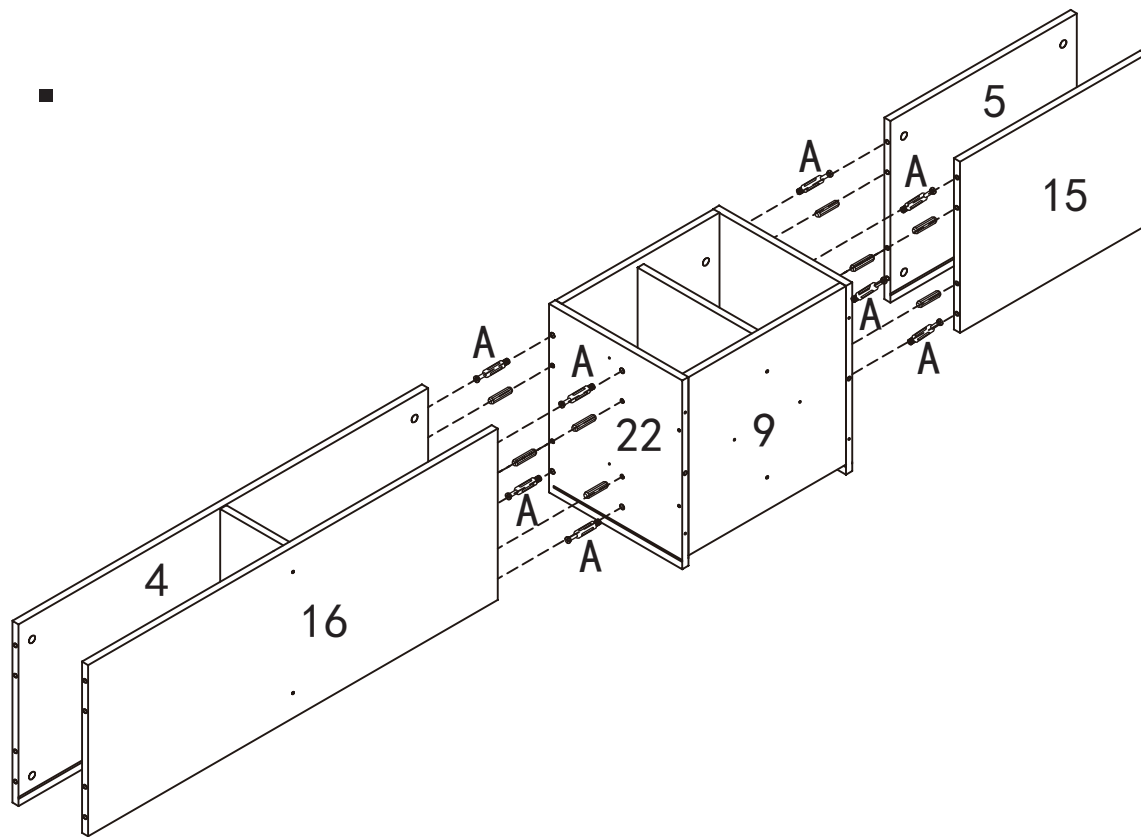


J\*4



∅3.5 x 40 mm

# 11.



A\*8

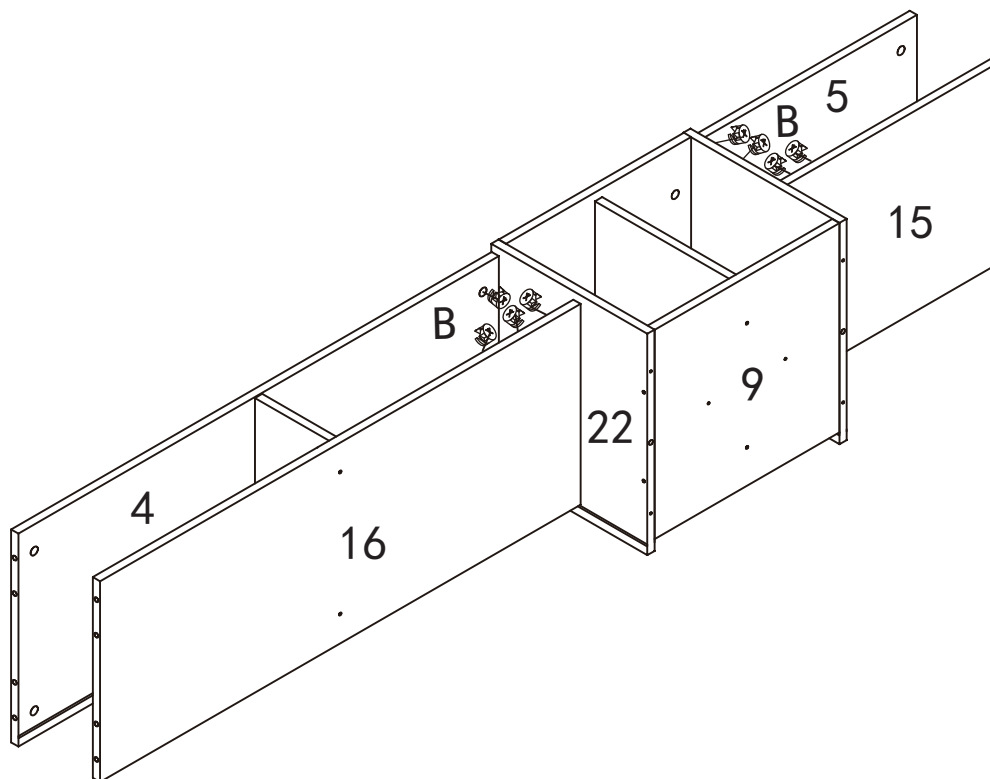


C\*8



∅8 x 30 mm

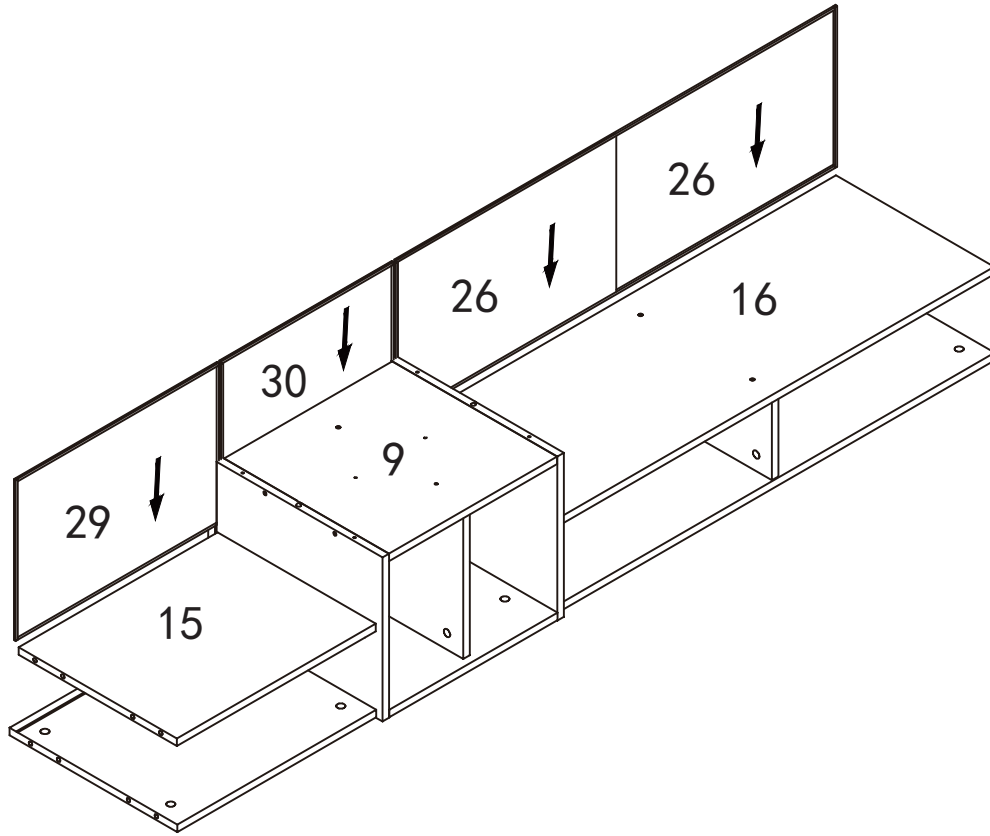
# 12.



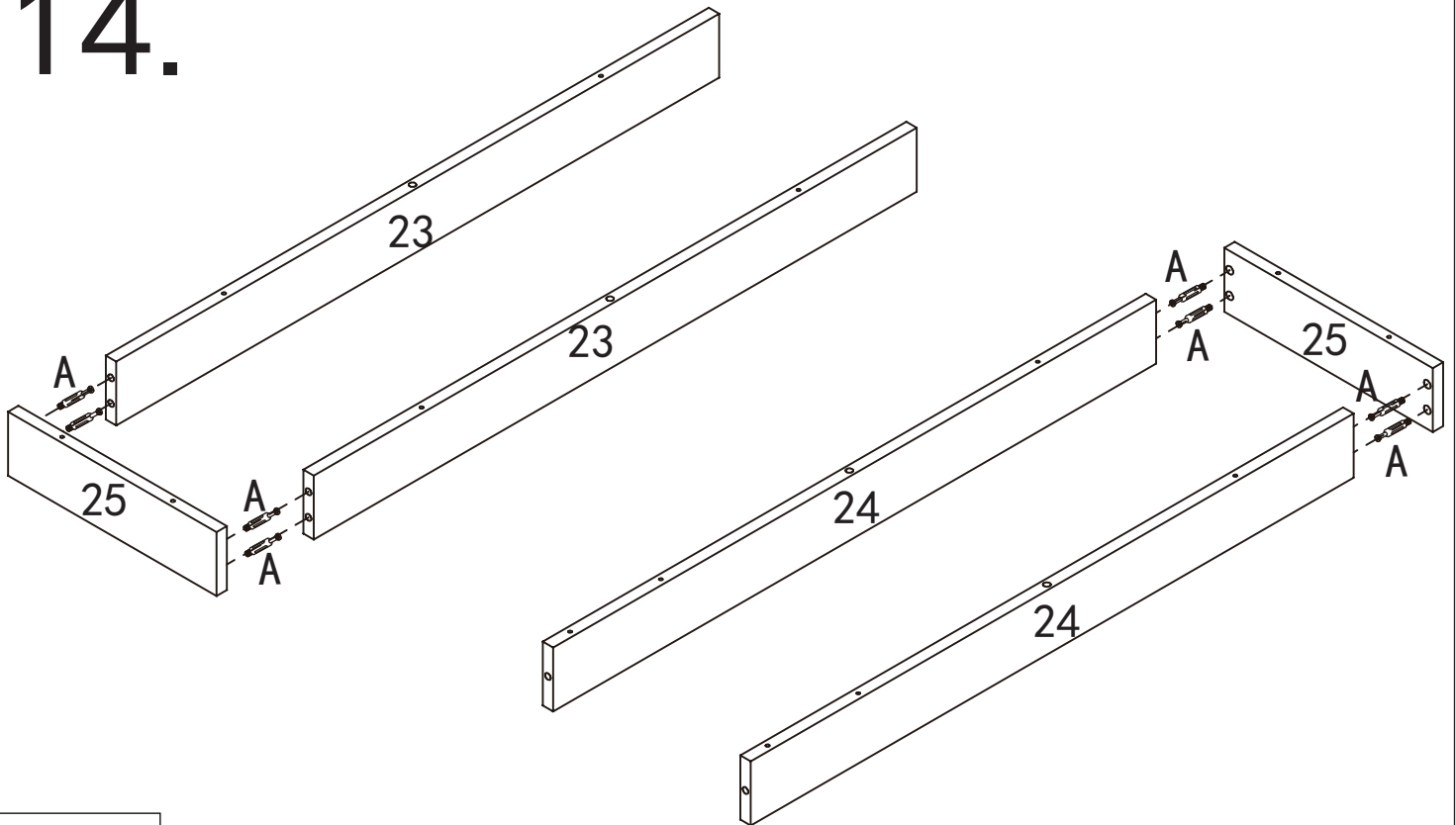
B\*8



# 13.



# 14.

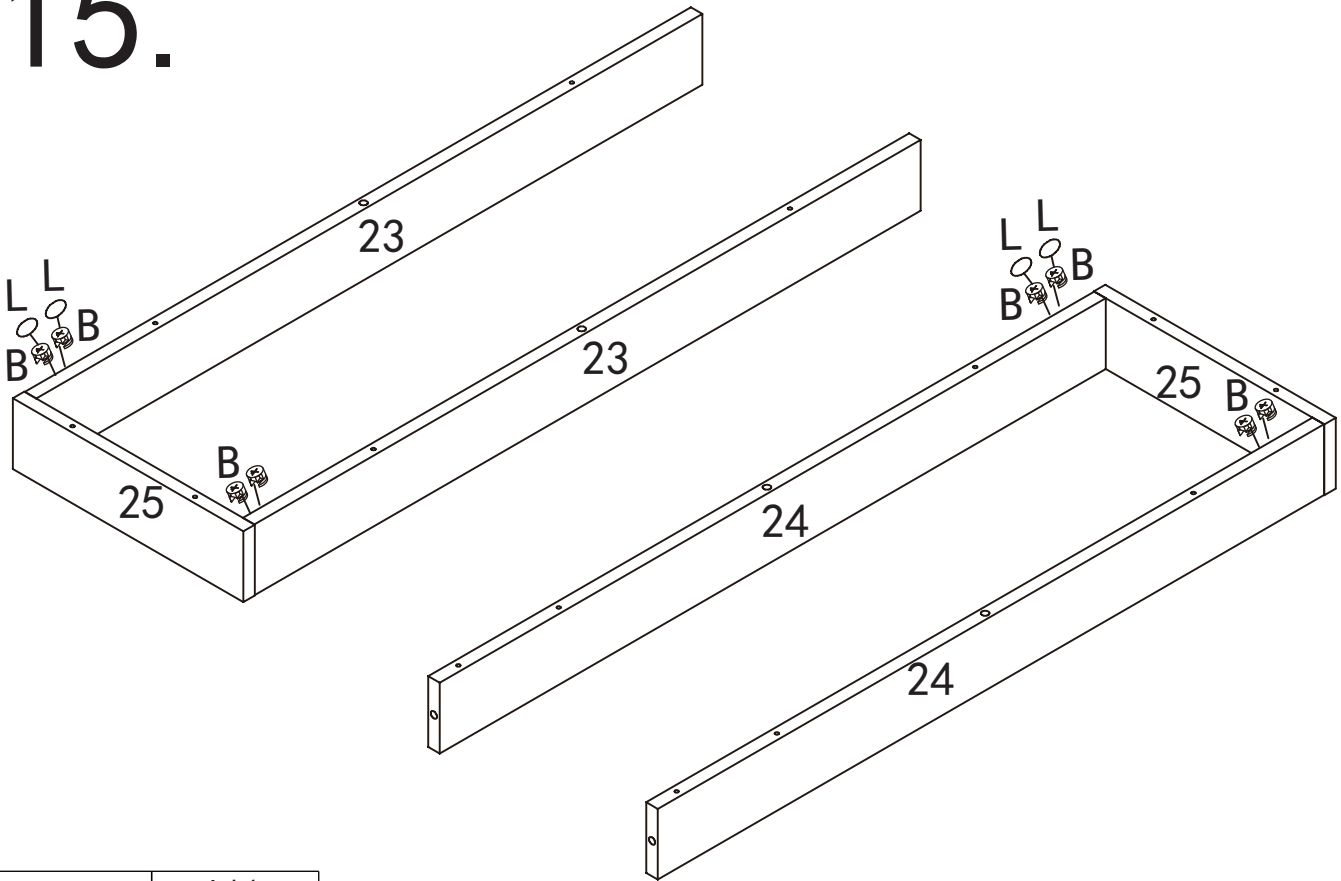


A\*8



# 12

# 15.

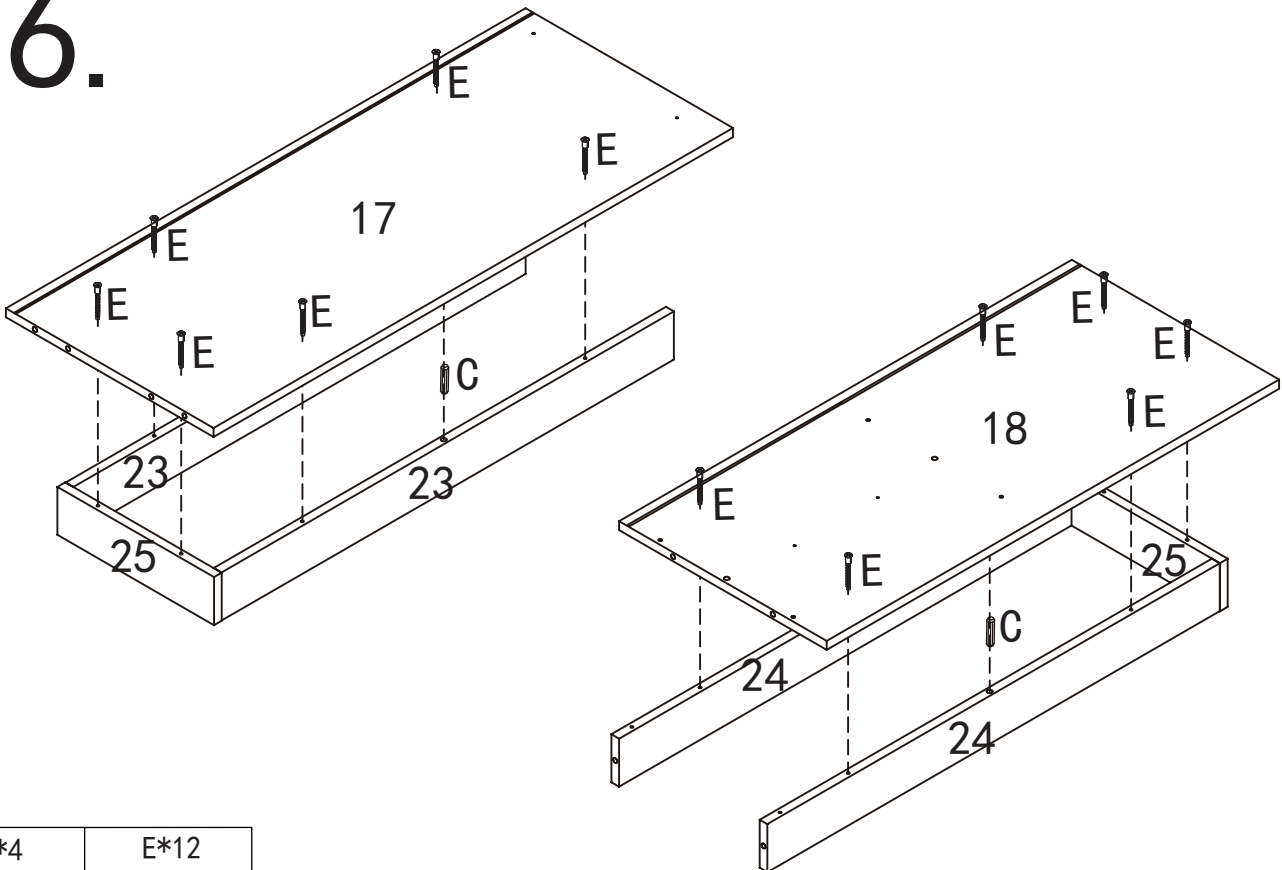


B\*8

L\*4



# 16.



C\*4

E\*12

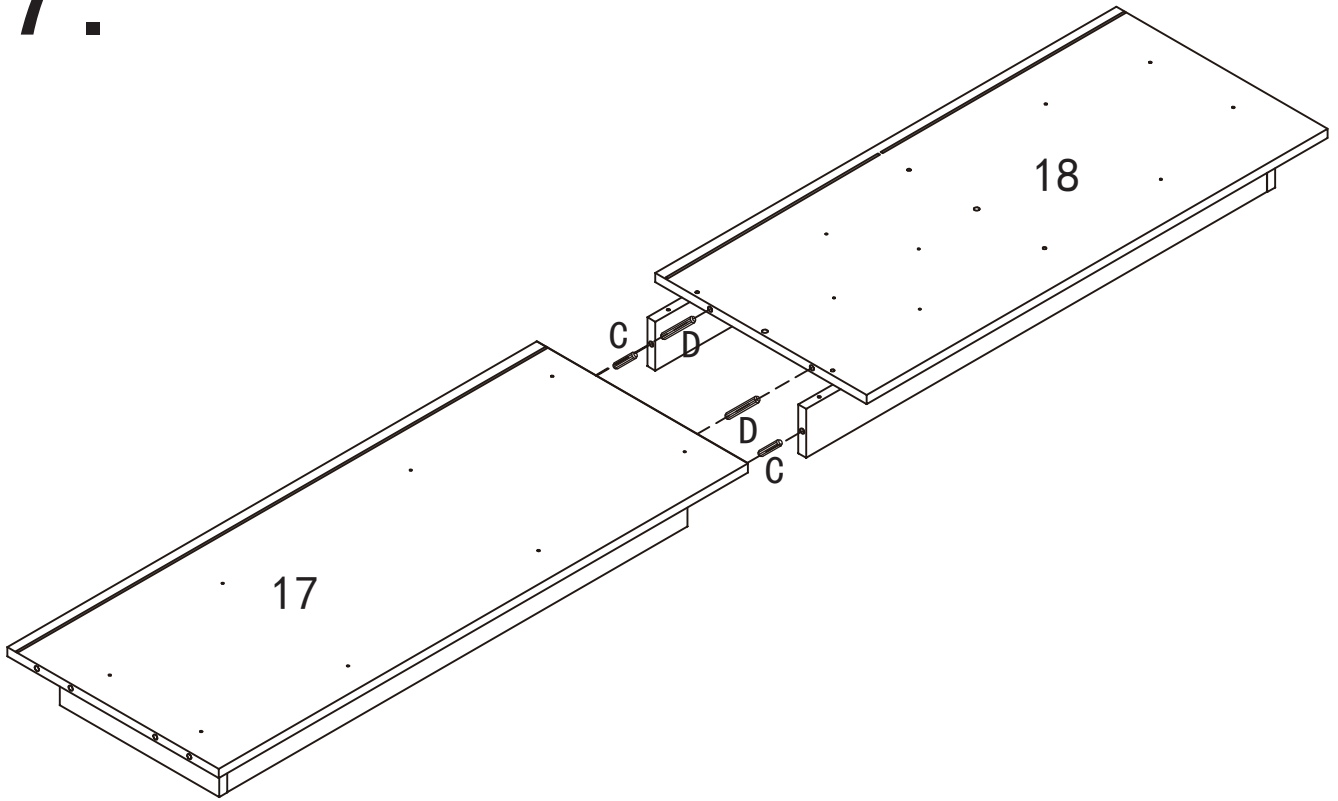


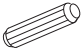

∅ 8 x 30 mm



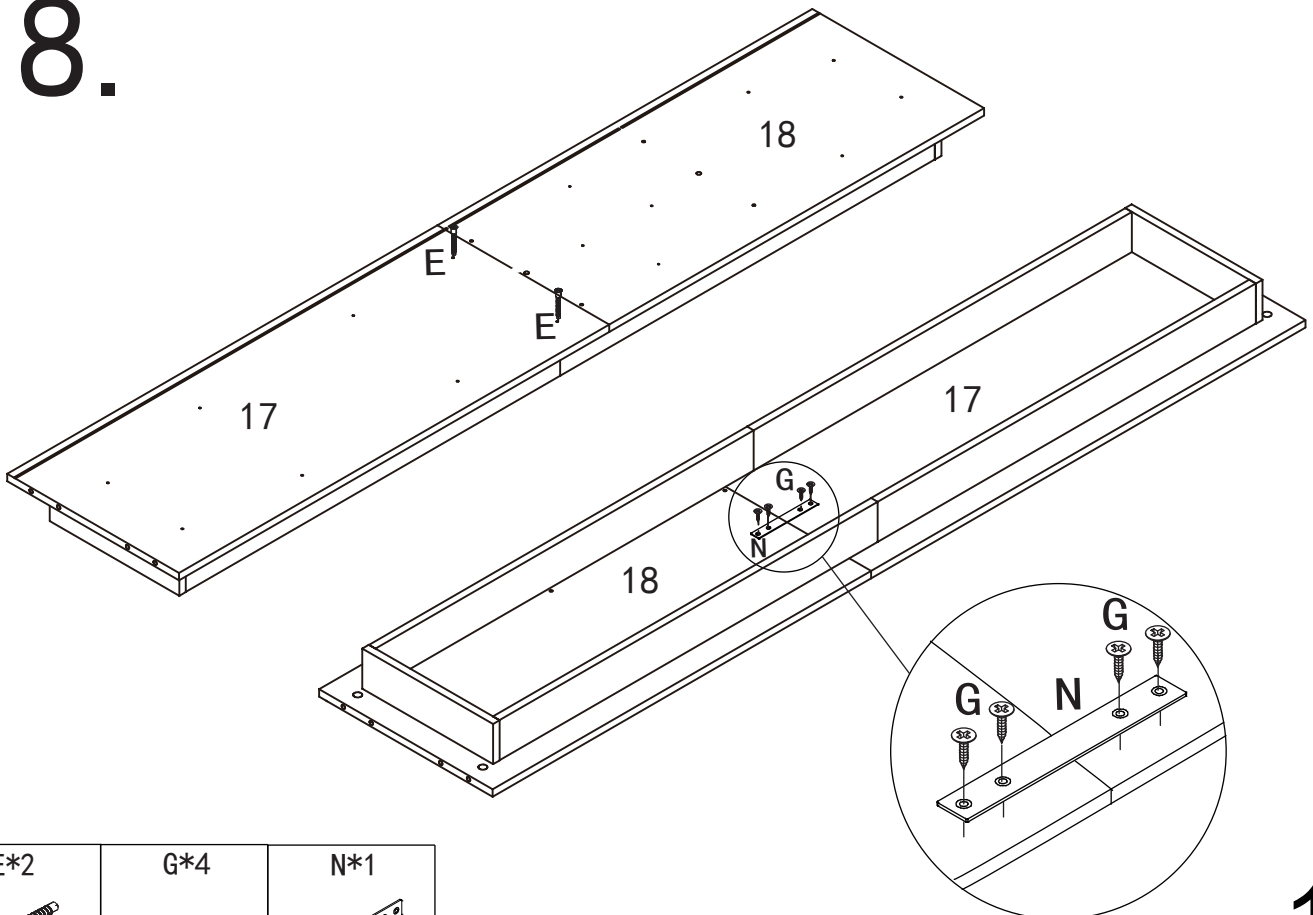
∅ 5 x 40 mm



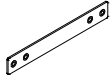
# 17.



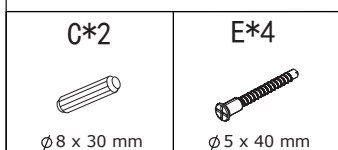
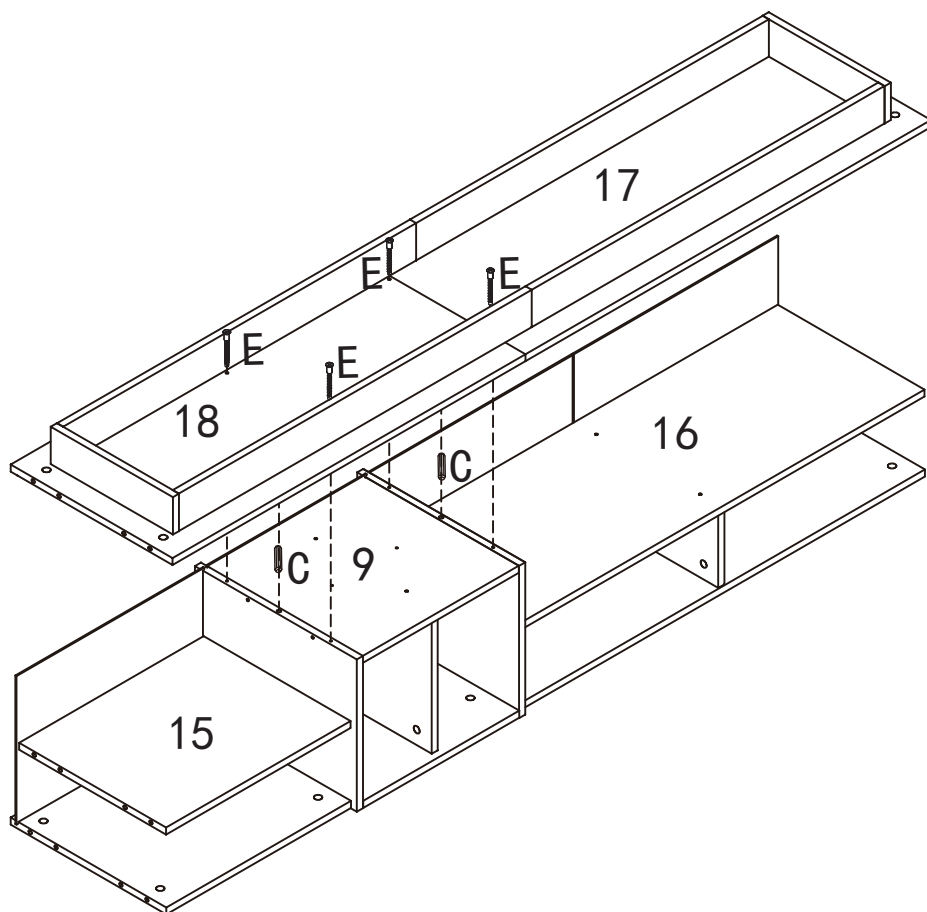
<b>C*2</b>  Ø8 x 30 mm	<b>D*2</b>  Ø8 x 40 mm
--	---

# 18.

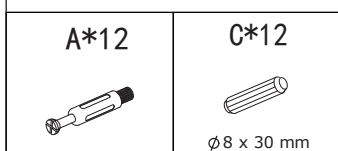
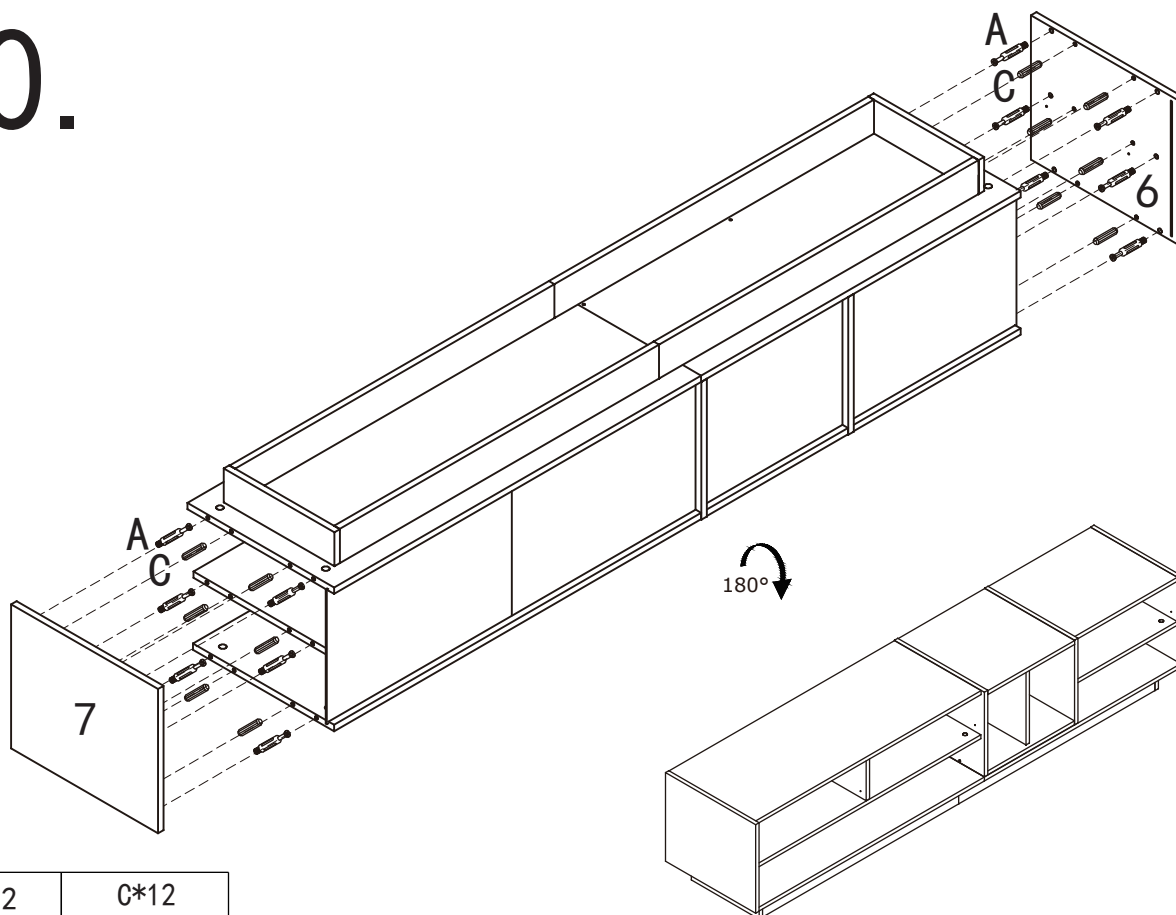


<b>E*2</b>  Ø5 x 40 mm	<b>G*4</b>  Ø3.5 x 14 mm	<b>N*1</b> 
--	---	---

# 19.

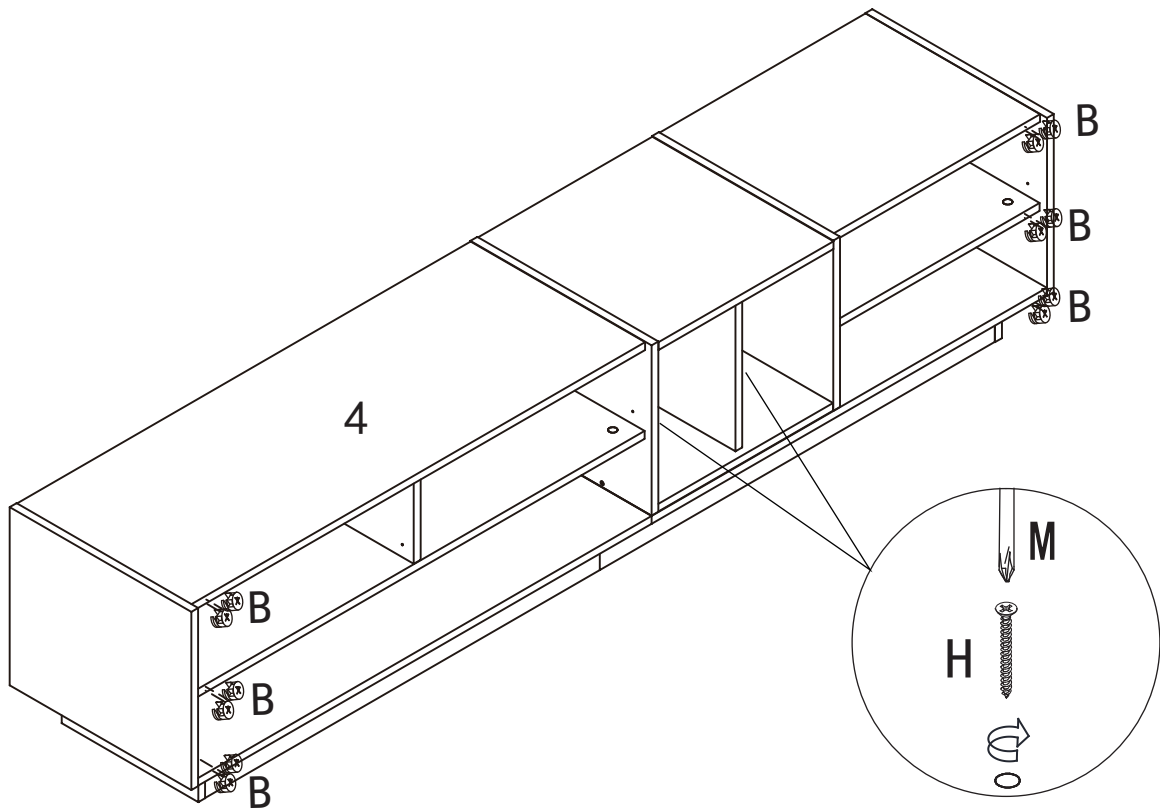


# 20.



# 15

# 21.



B\*12

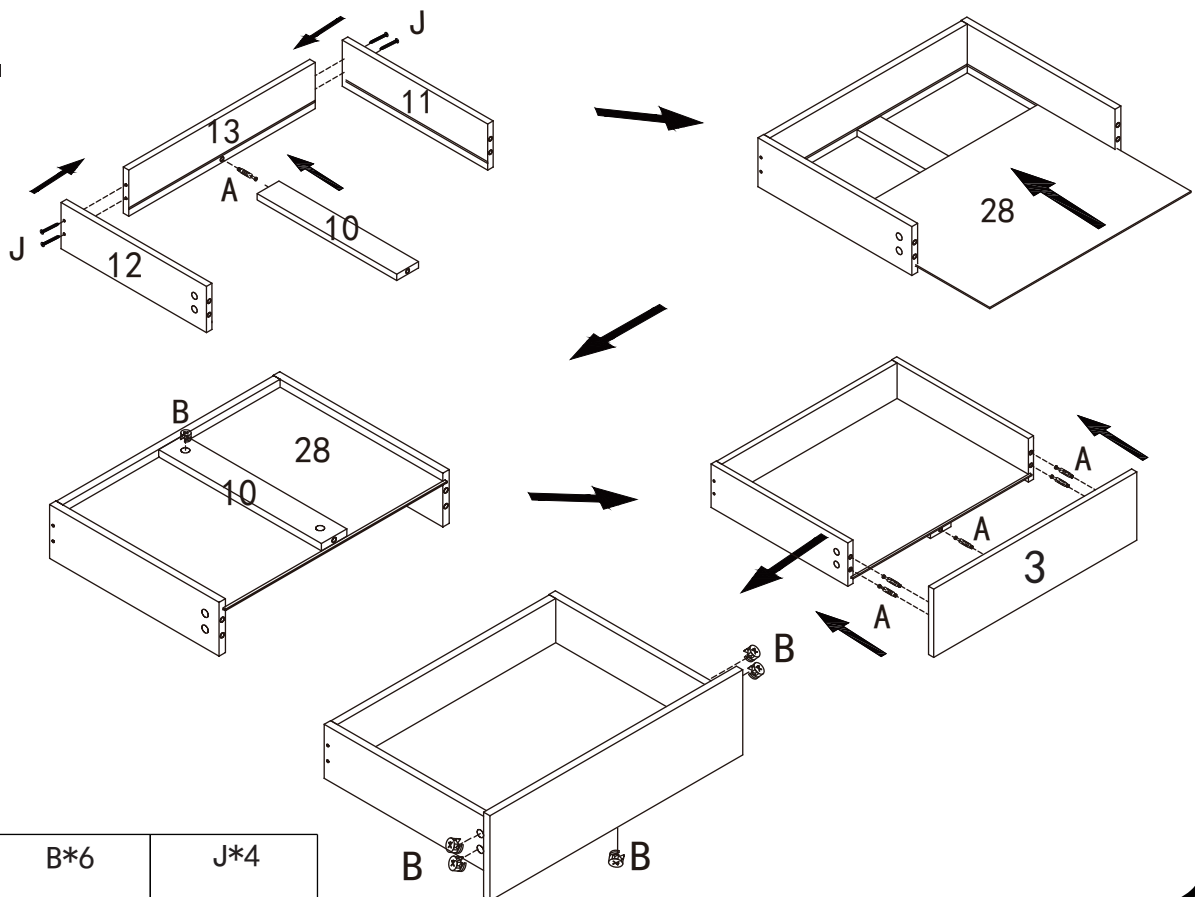


H\*2



Ø3.5 x 25 mm

# 22.



A\*6



B\*6

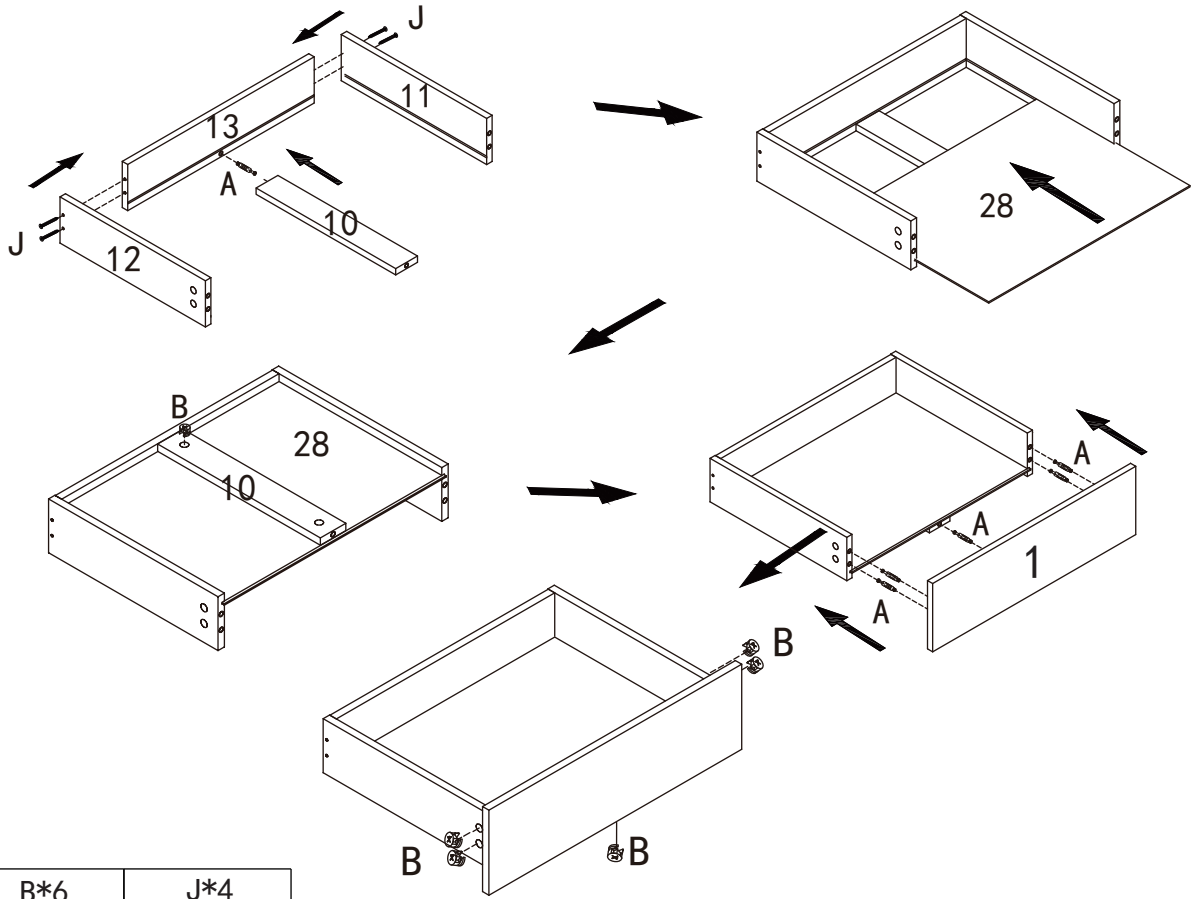


J\*4



Ø3.5 x 40 mm

# 23.



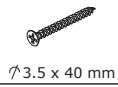
A\*6



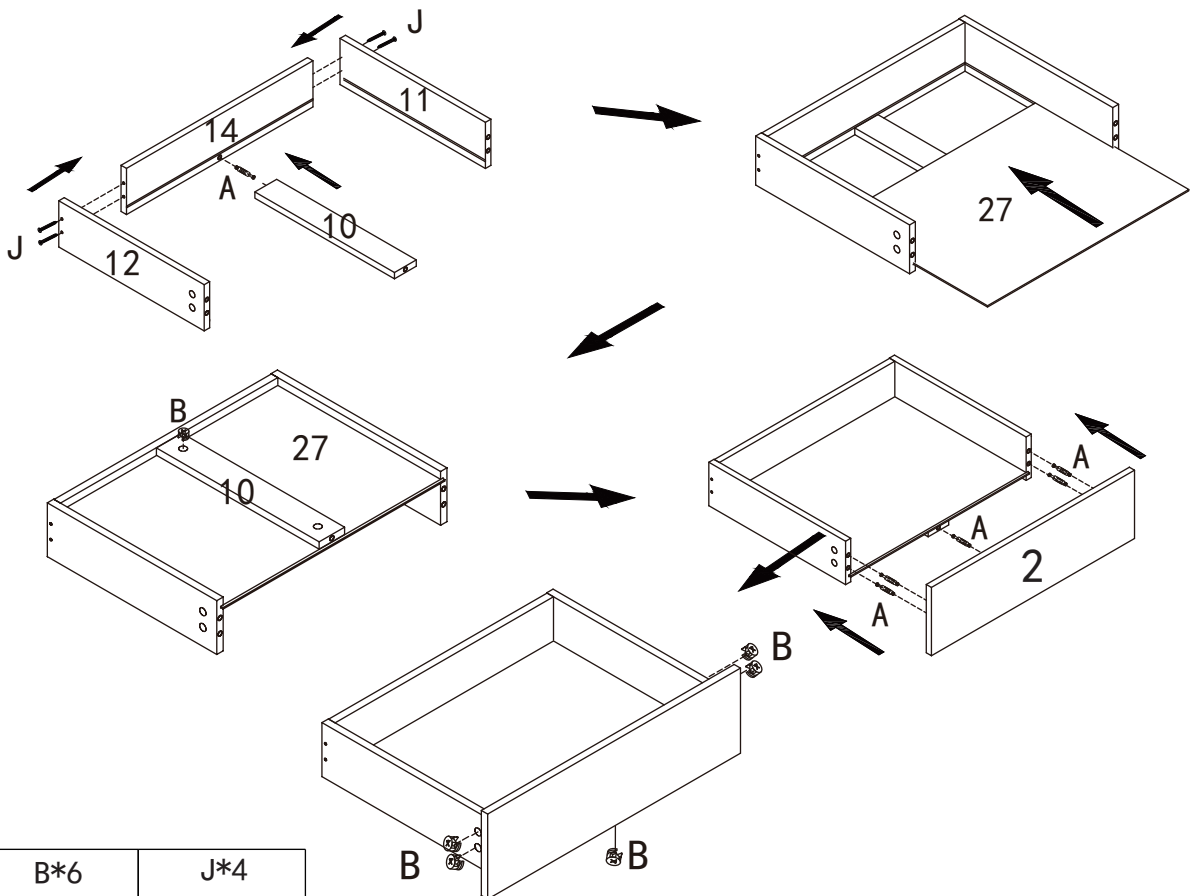
B\*6



J\*4



# 24.



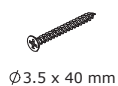
A\*6



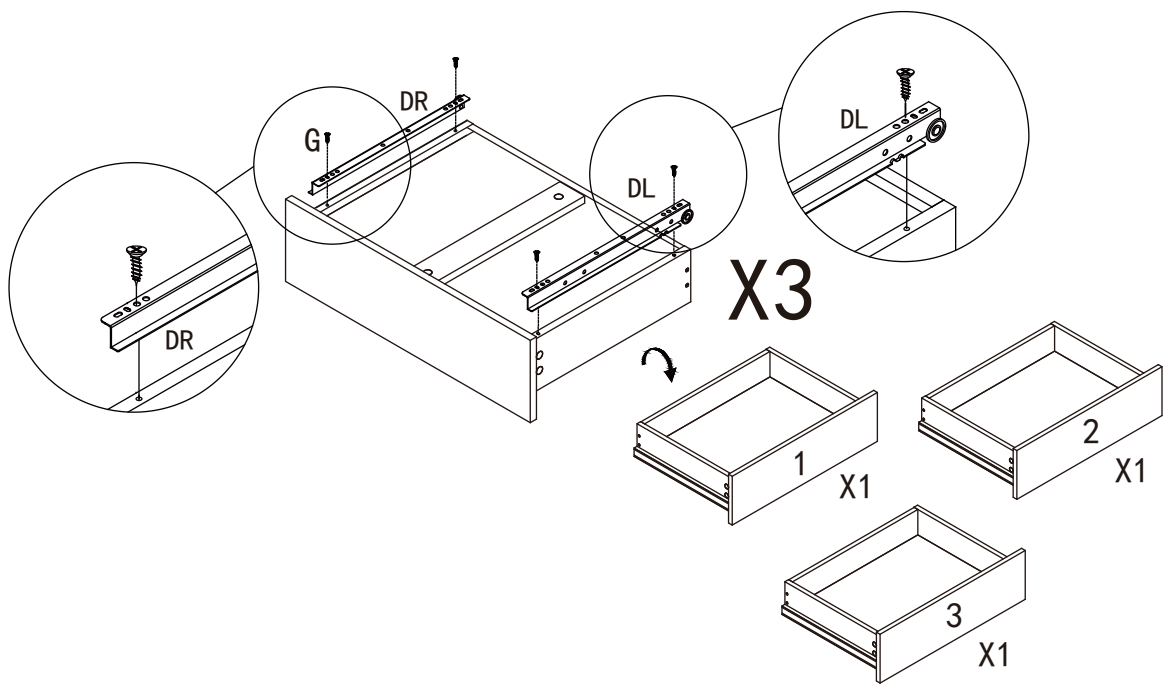
B\*6



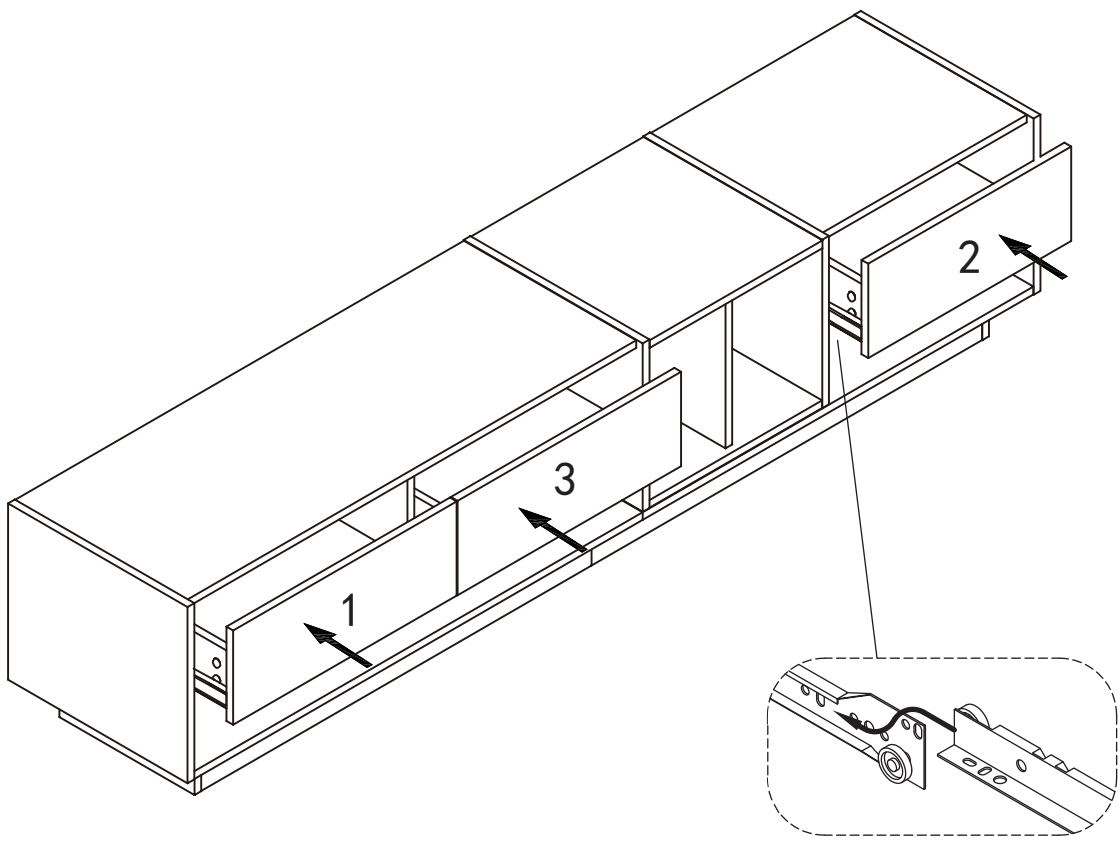
J\*4



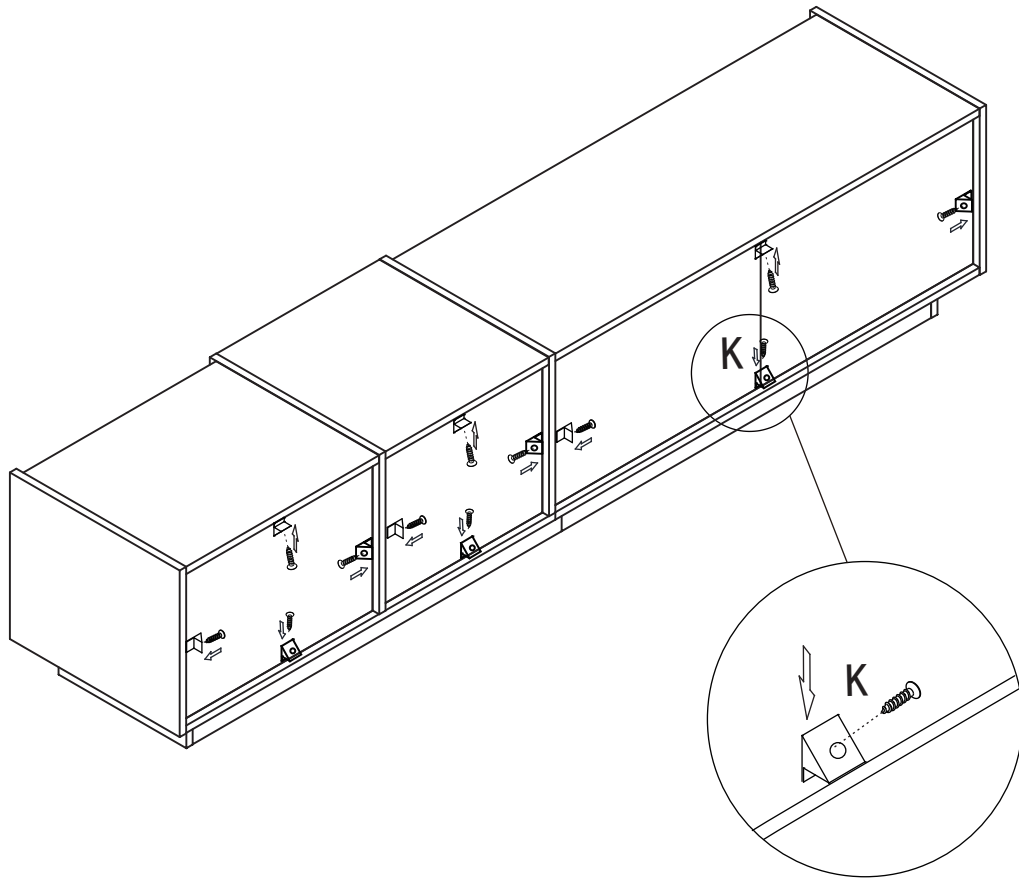
# 25.



F*6	G*12
300mm	Ø 3.5 x 14 mm



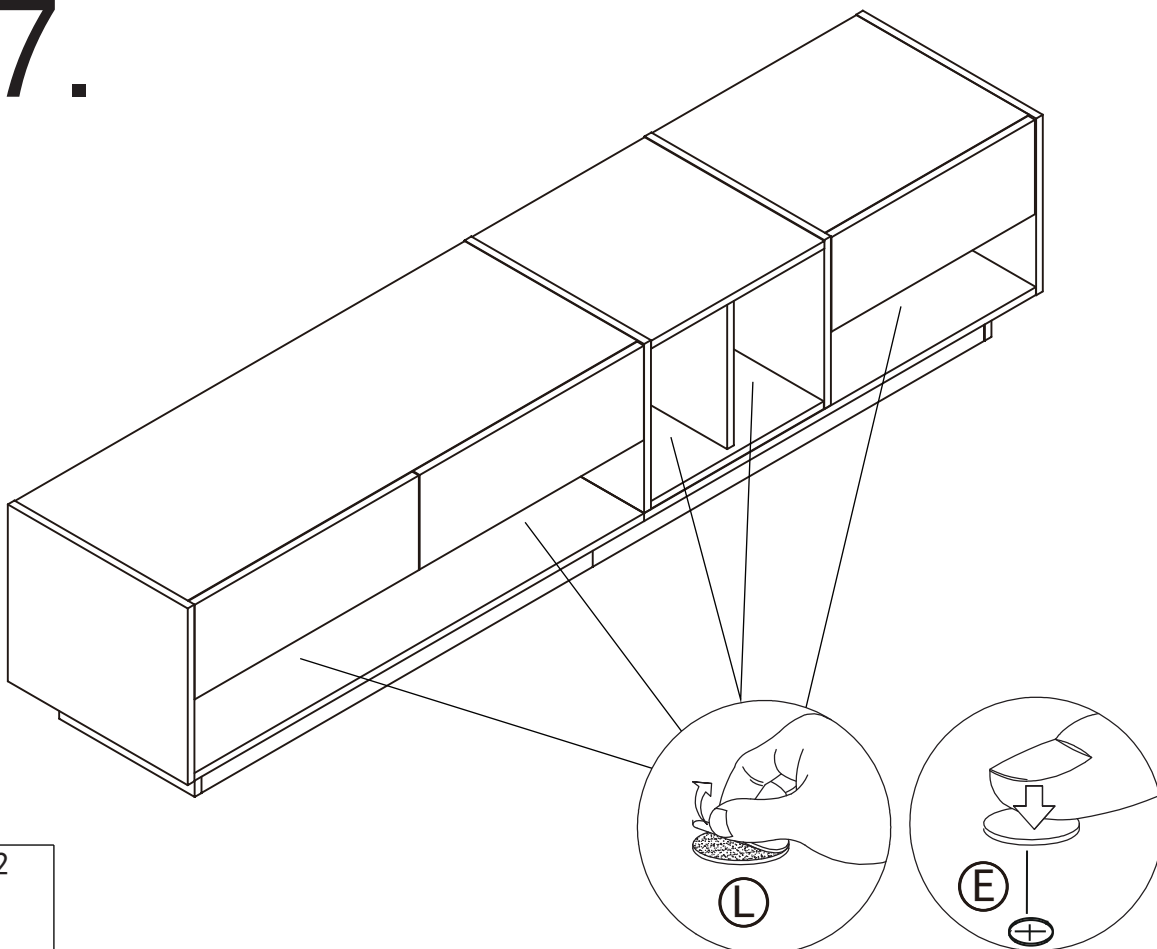
# 26.



K\*12



# 27.



L\*12



28.

