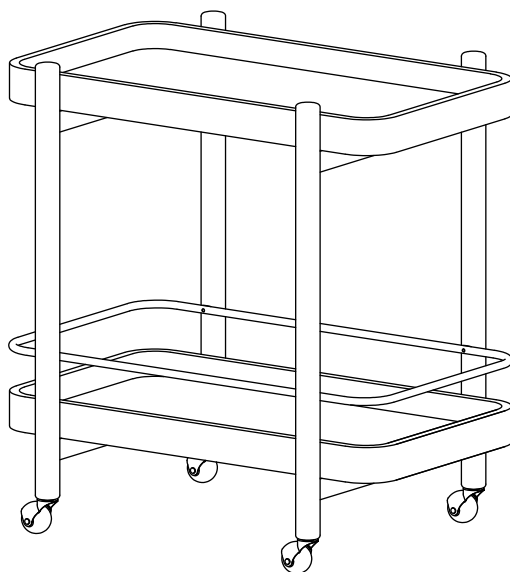


KRYSTOF WOOD 2 SHELF BARCART

DESIGN# SFV4249

Assembly Instructions



SAFAVIEH
C O U T U R E

Thanks for bringing Safavieh Couture into your home

Everything we make is incredibly simple to set up, including your new bar cart. You won't need any additional tools.

Parts List

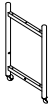
A x 1
Top Tray



B x 1
Bottom Tray



C x 2
Leg frame (L&R)



D x 1
Frame metal



E x 1
Stretcher



Hardware List

HW1 x 15
Bolt M8x35



HW2 x 4
Screws 4x25

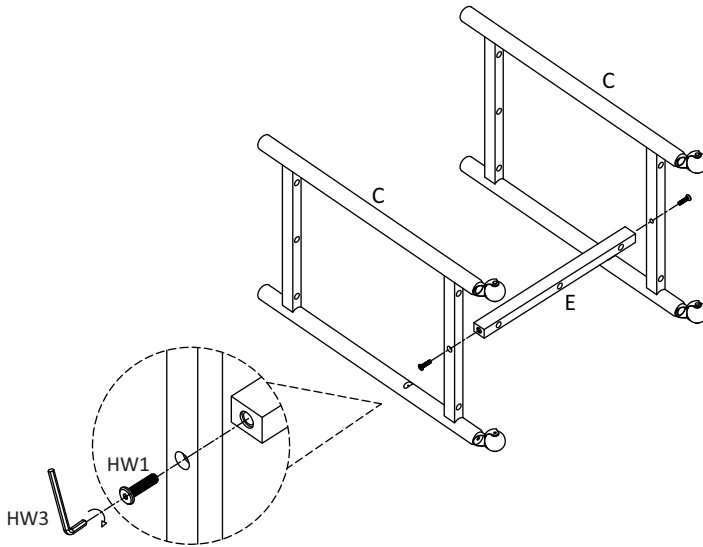


HW3 x 1
Allen key



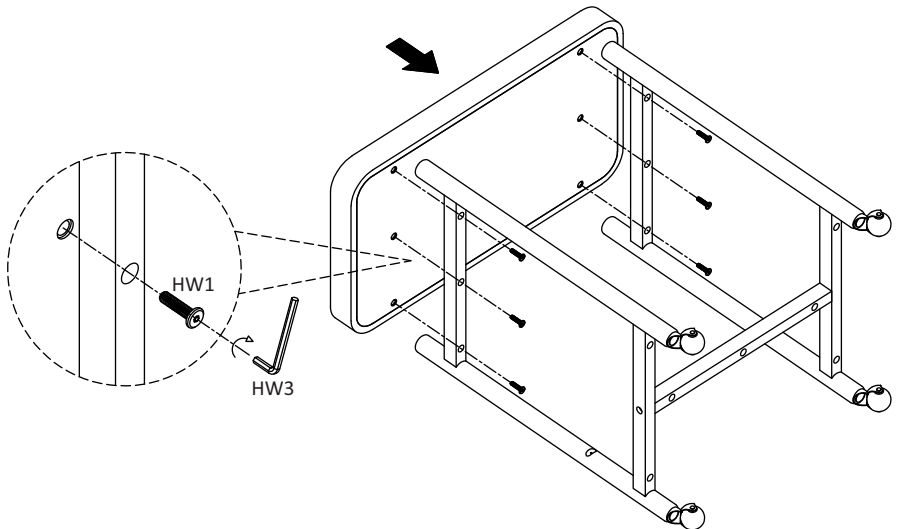
1

Attach the Stretcher (E) to the Leg frame (C) by using Allen key (HW3) to screw in the bolt (HW1) as shown.



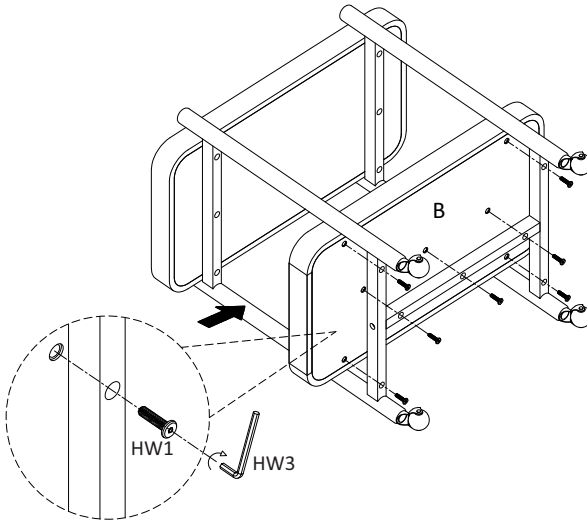
2

Attach the Top tray (A) to the Leg frame (C) by using Allen key (HW3) to screw in the Bolts (HW1) as shown.



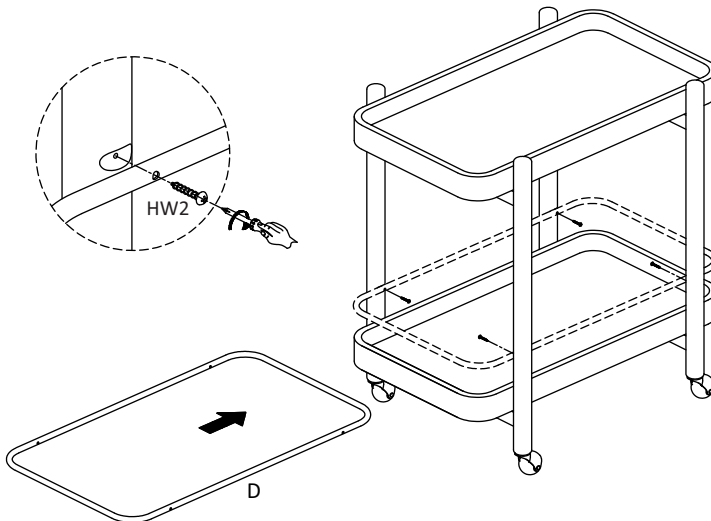
3

Slide the Bottom tray (B) from the side. Ensure the holes below the tray are aligned with the holes on the stretchers. Attach them by using the Allen Key (HW3) to screw on the Bolt (HW1).



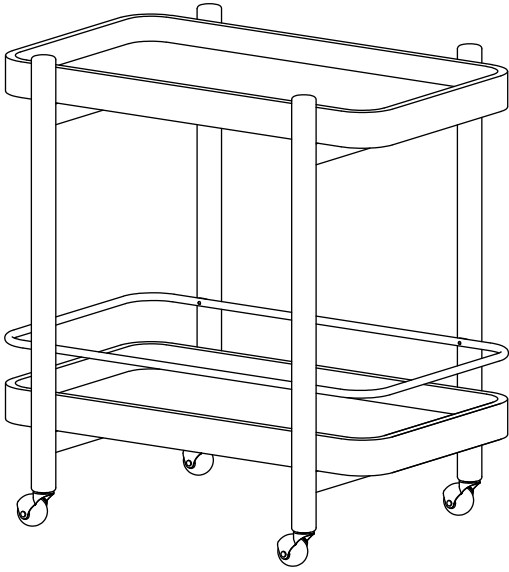
4

Slide the Frame metal (D) in between the legs as shown and align the holes on the frame to the holes on the bottom tray (B), by using a Philips Head screwdriver to screw in the Screws (HW2) in the spots shown below.



Place the bar cart in the place where you will use it. We'd love to see it – just tag us (we're @safavieh) and use the hashtag #safavieh on Instagram!

@safavieh



Need help?

Feel free to contact us via email or call
if you have any specific questions!

contact us:

cs@safavieh.com

866-422-9070