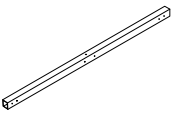
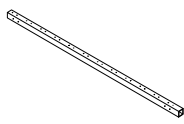
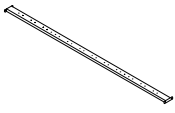
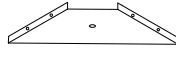
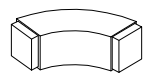
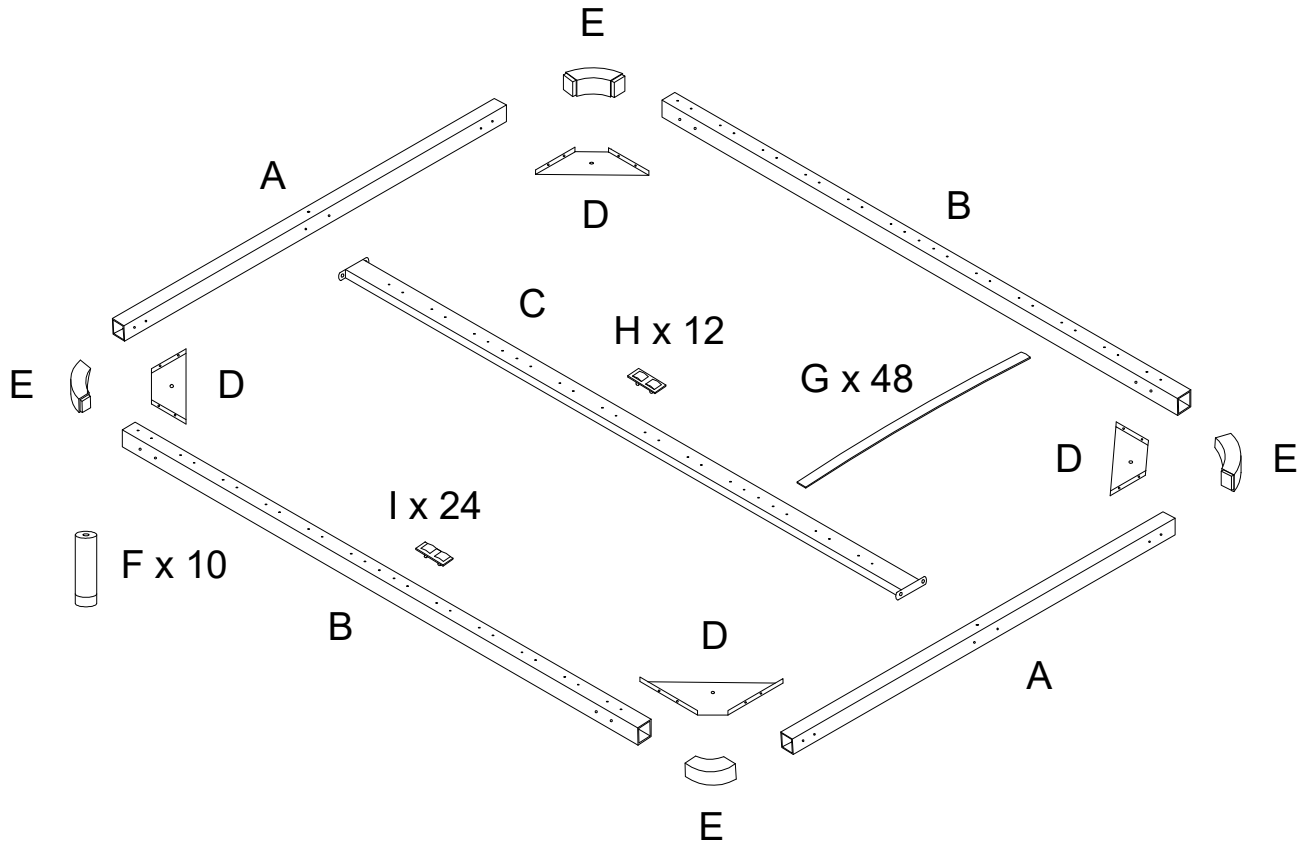

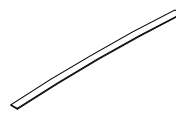
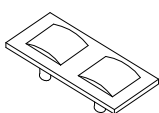
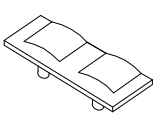
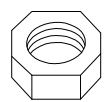
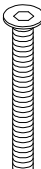
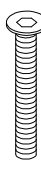
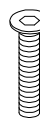
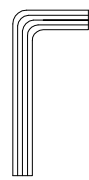
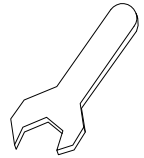


Assembly instructions for step 1/5:

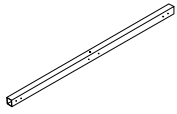
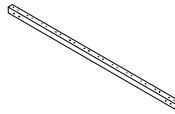
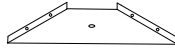
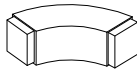
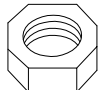
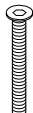


- Tools:** An icon in a circle shows an Allen key and a wrench. A power drill icon is crossed out with a diagonal line, indicating it should not be used.
- Warning:** A triangle with an exclamation mark points to the tool instructions.
- Time:** A clock icon is shown above the text "35'", indicating the estimated assembly time.
- Personnel:** An icon of a person is shown above the number "2", indicating that two people are required for assembly.

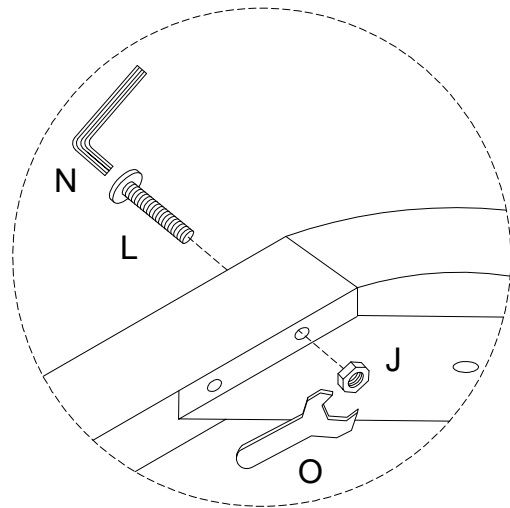
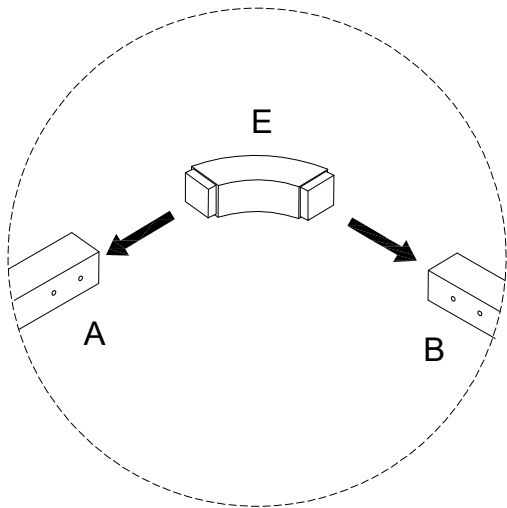
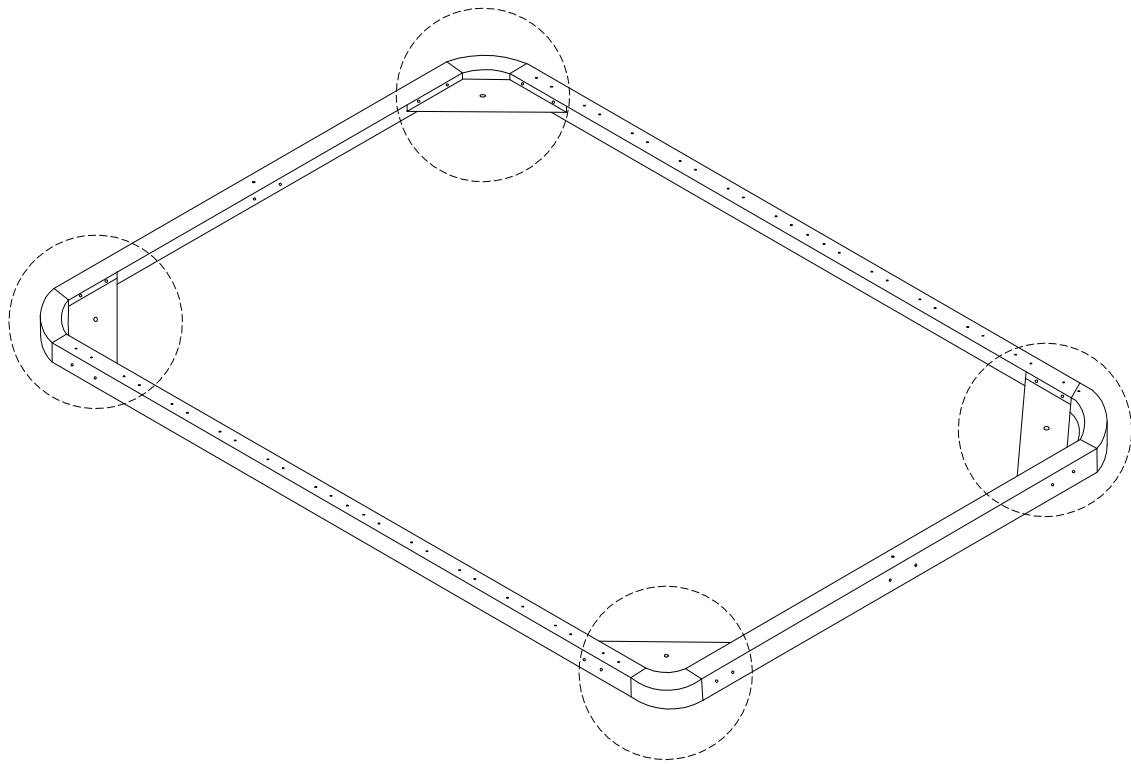
A	B	C	D	E
				
x 2	x 2	x 1	x 4	x 4



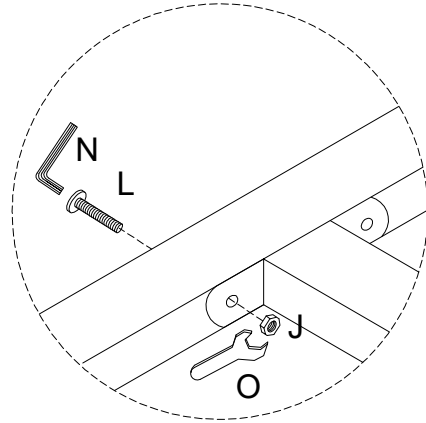
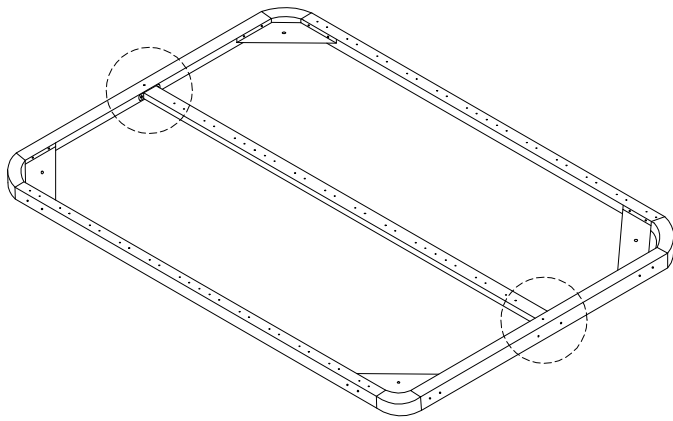
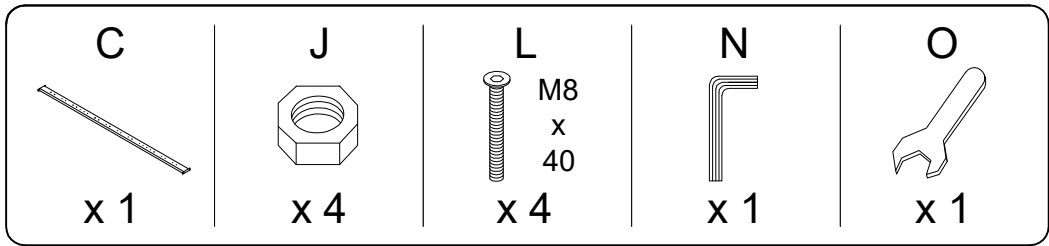
F	G	H	I	J
				
x 10	x 48	x 12	x 24	x 20
K	L	M	N	O
 M8 x 50	 M8 x 40	 M8 x 25		
x 6	x 20	x 4	x 1	x 1

1

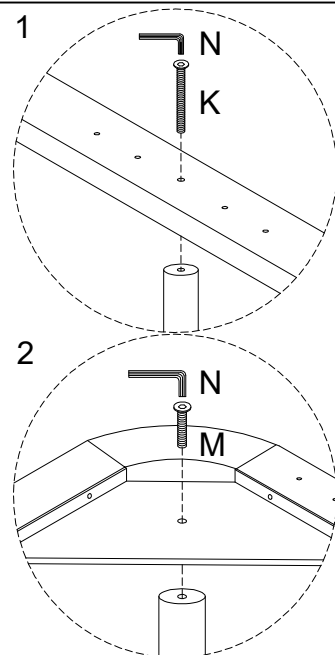
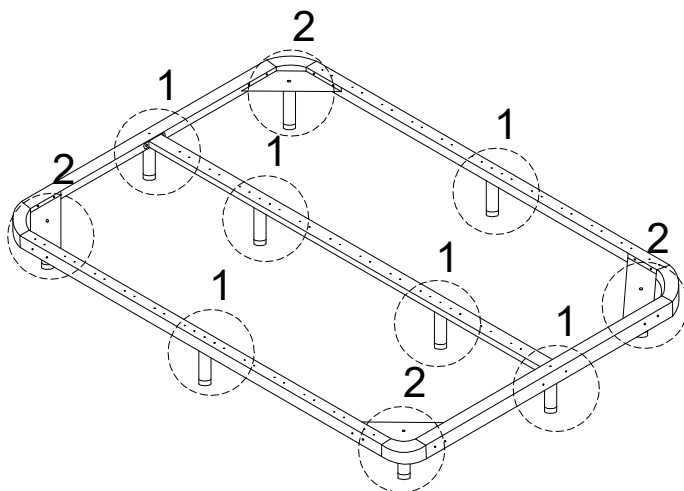
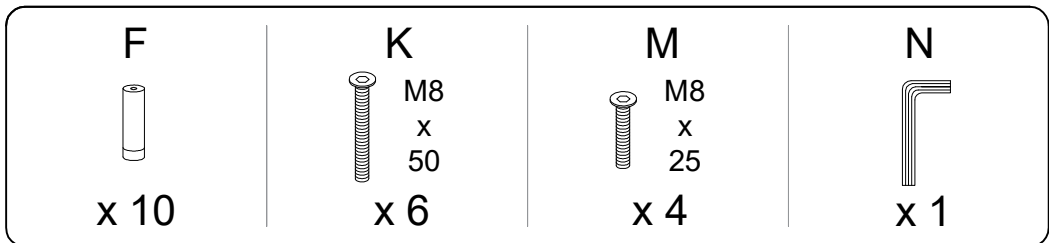
<p>A</p>  <p>x 2</p>	<p>B</p>  <p>x 2</p>	<p>D</p>  <p>x 4</p>	<p>E</p>  <p>x 4</p>
<p>J</p>  <p>x 16</p>	<p>L</p>  <p>M8 x 40</p> <p>x 16</p>	<p>N</p>  <p>x 1</p>	<p>O</p>  <p>x 1</p>



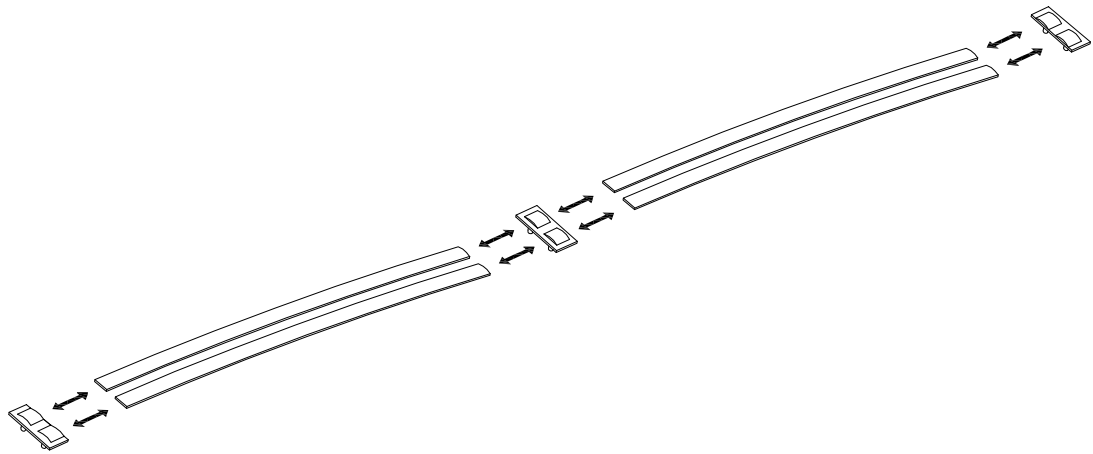
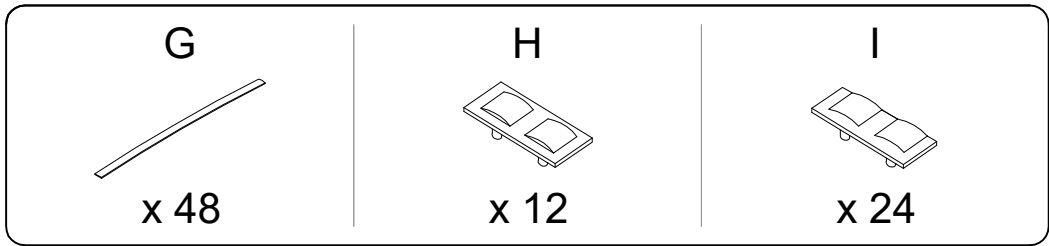
2



3



4



5

