

Thank you for your purchase!

Childrens Wooden Kitchen Refrigerator for Commercial or Home Use - Safe, Kid Friendly Design

ASSEMBLY INSTRUCTIONS

Before You Begin: Phillips screwdriver (not included) required for assembly

Please identify all component parts and hardware pieces required before you begin. Carefully remove all of the components from the packaging and set aside for assembly. Assemble on a soft surface to prevent scratching during assembly.

Phillips screwdriver required for assembly (Not Included).

Caution:

Tighten all components securely before use. Failure to do so may result in personal injury. DO NOT use any sharp objects to open plastic wrapped components as damage to product or componenets may result.

Warning:

CHOKING HAZARD - Small Parts. Adult Assembly Required.

DO NOT ALLOW CHILDREN TO CLIMB ON FURNITURE.

The tipping restraint is intended only as a safety measure, it is not a substitute for proper adult supervision.

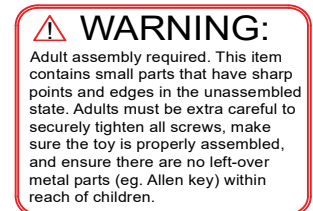
Serious or fatal injuries can occur from furniture tipping over. You must install Tipping Restraint Hardware (where included) to help prevent the unit from tipping and causing accidental injury, instability, death or damage. The tipping restraint is intended only as a safety measure, it is not a substitute for proper adult supervision.

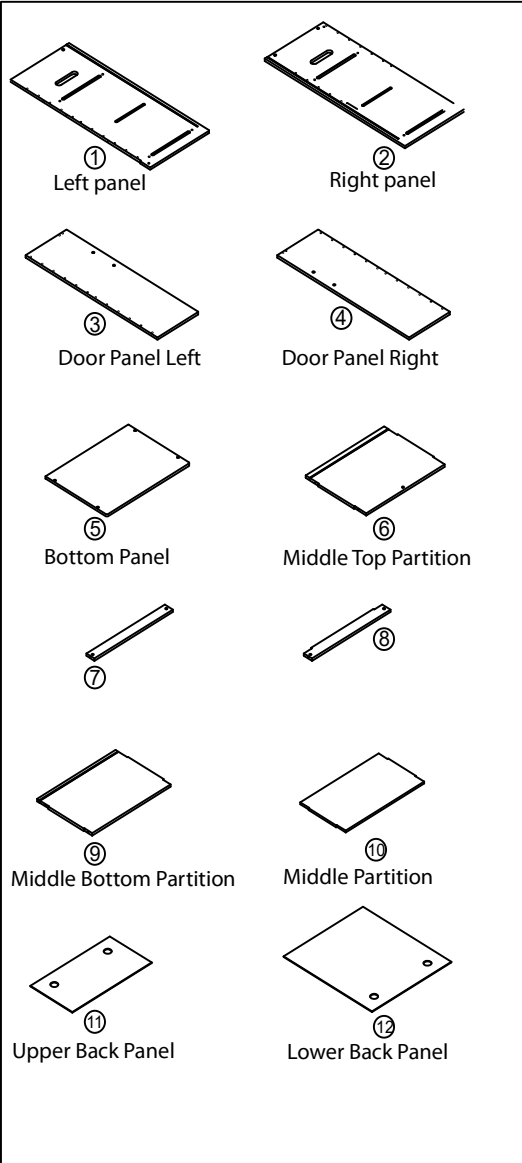
To help prevent furniture from tipping over it must be permanently attached to the wall. Anti-Tip Safety Wall Straps suitable for the unit weight and wall materials (if not included) should be purchased and installed.

Online Assembly Instruction: <http://ftp.flashfurniture.com/AssemblyInstructions/MK-DP003-GG.pdf>

Customer Service Email: CustomerExperience@belnick.com | Phone: 866-552-2810

MK-DP003-GG





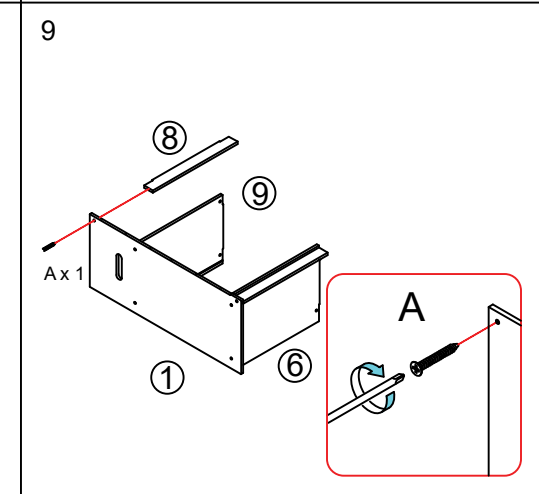
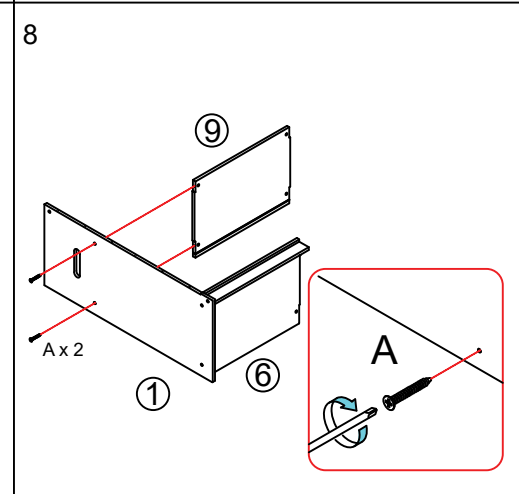
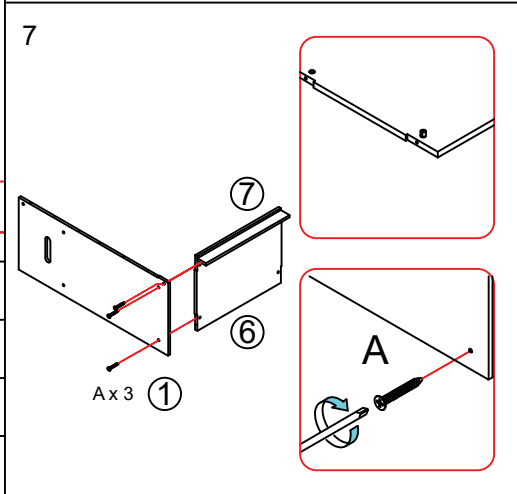
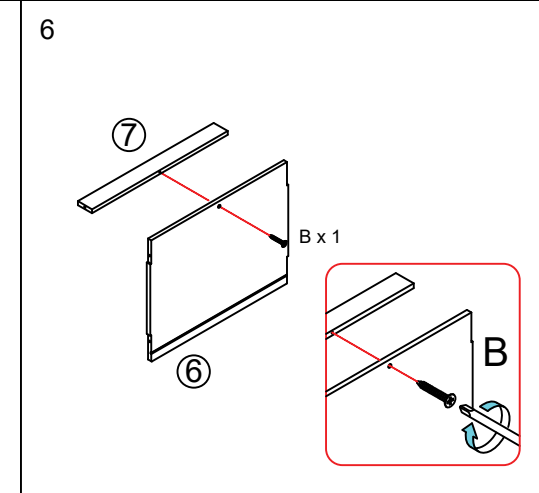
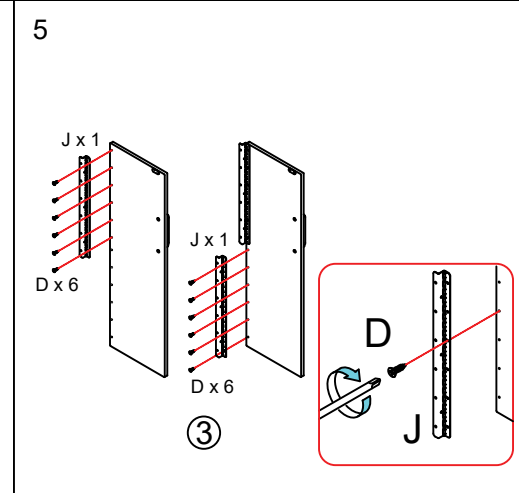
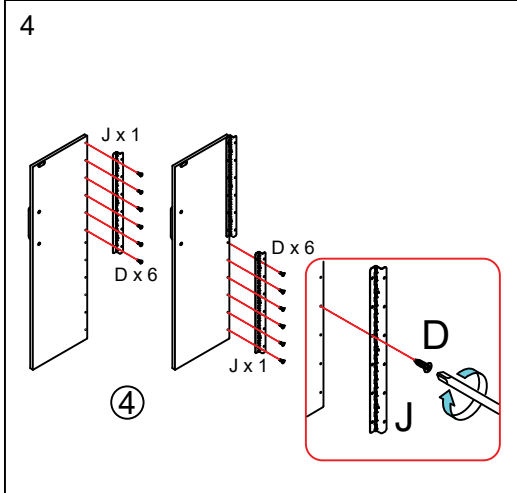
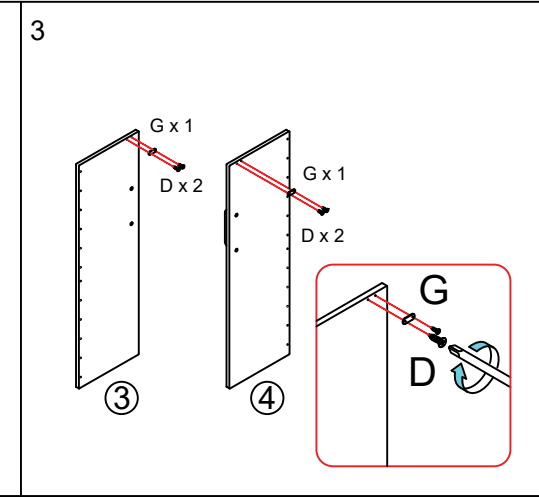
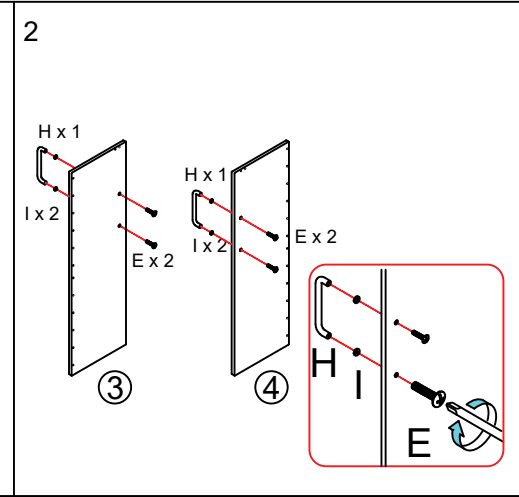
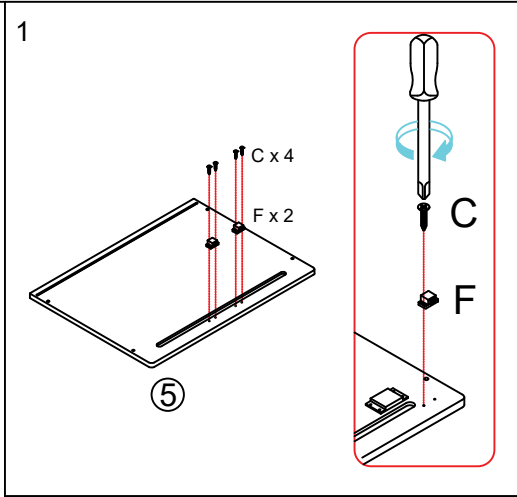
20200821

Tool Required

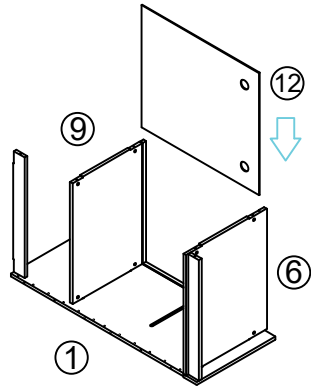


Hardware Included:

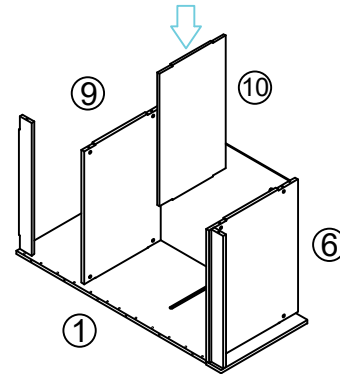
M5x39mm A x 16	M4x35mm B x 1	M2x8mm C x 4	M3x10mm D x 64
M4x20mm E x 4	Door Magnets F x 2	Door Catcher Plate G x 2	Stainless Handle H x 2
Plastic Gasket I x 4	Steel Hinge J x 4	M4x38mm K x 1	
M4x16mm L x 1	Wall Security Strap M x 1		



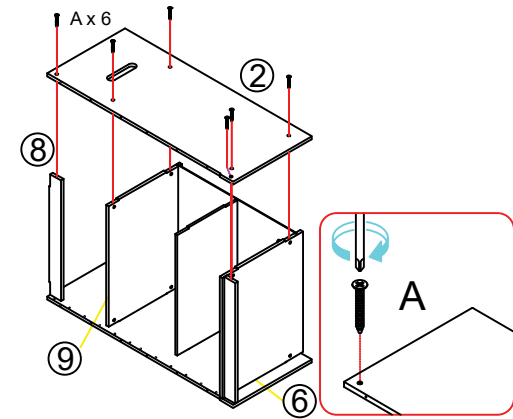
10



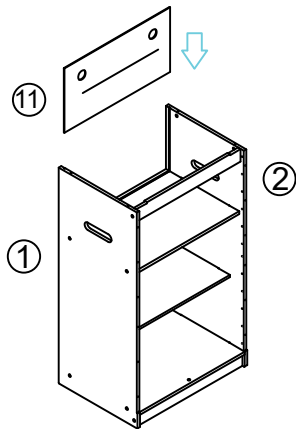
11



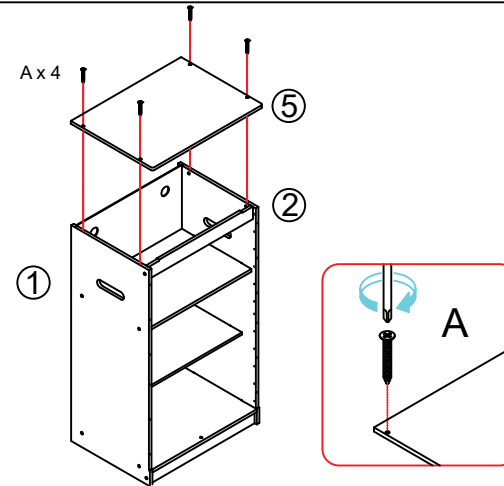
12



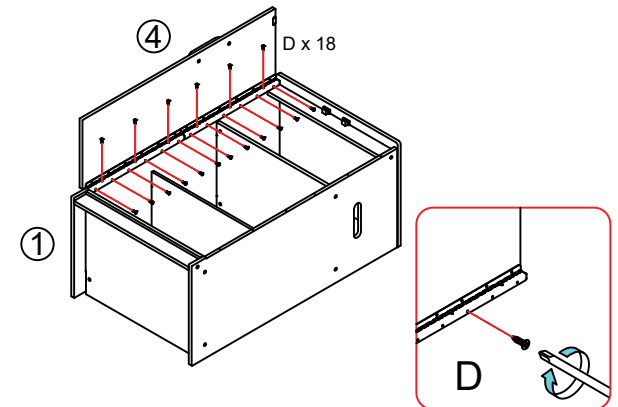
13



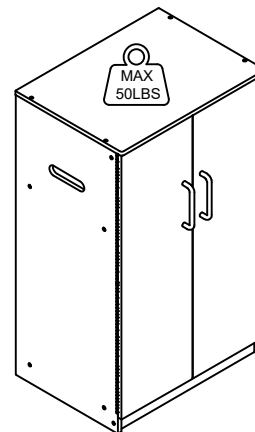
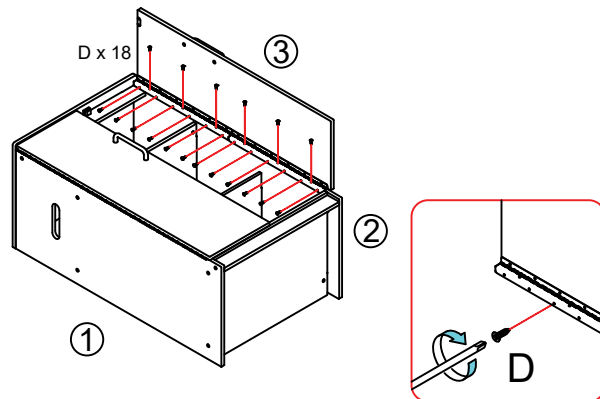
14



15



16



WARNING

Serious or fatal crushing injuries can occur from furniture tip-over. To help prevent tip-over:

- Install tip-over restraint provided.
- Place heaviest items in the lowest drawers.
- Do not set TV or other heavy objects on top of this product. Remove unless the product is specifically designed to accommodate them.
- Never allow children to climb or hang on drawers, doors, or shelves.
- Never open more than one drawer at a time.

Do not defeat or remove the drawer interlock system.

Use of tip-over restraints may only reduce, but not eliminate, the risk of tip-over.

This is a permanent label. Do not remove!

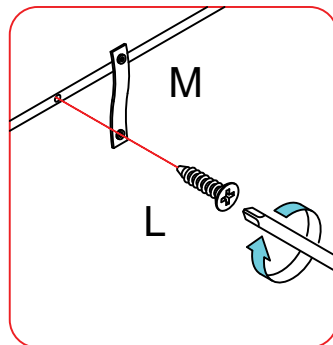
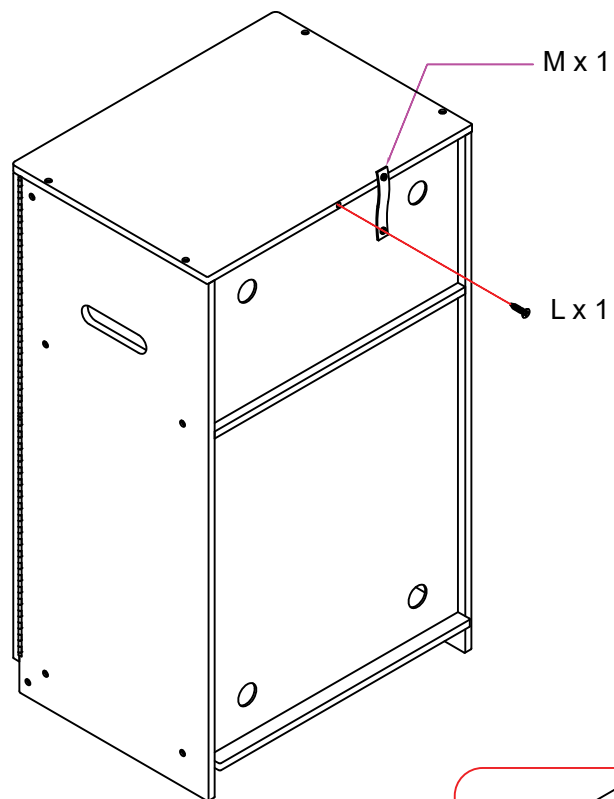
WARNING:
CHOKING HAZARD - Small Parts
Not For Children Under 3 Years.



WARNING:
Adult assembly required. This item contains small parts that have sharp points and edges in the unassembled state. Adults must be extra careful to securely tighten all screws, make sure the toy is properly assembled, and ensure there are no left-over metal parts (eg. Allen key) within reach of children.

ATTACHING CLOTH STABILIZING STRAP TO WALL

Step1:



Step2:

