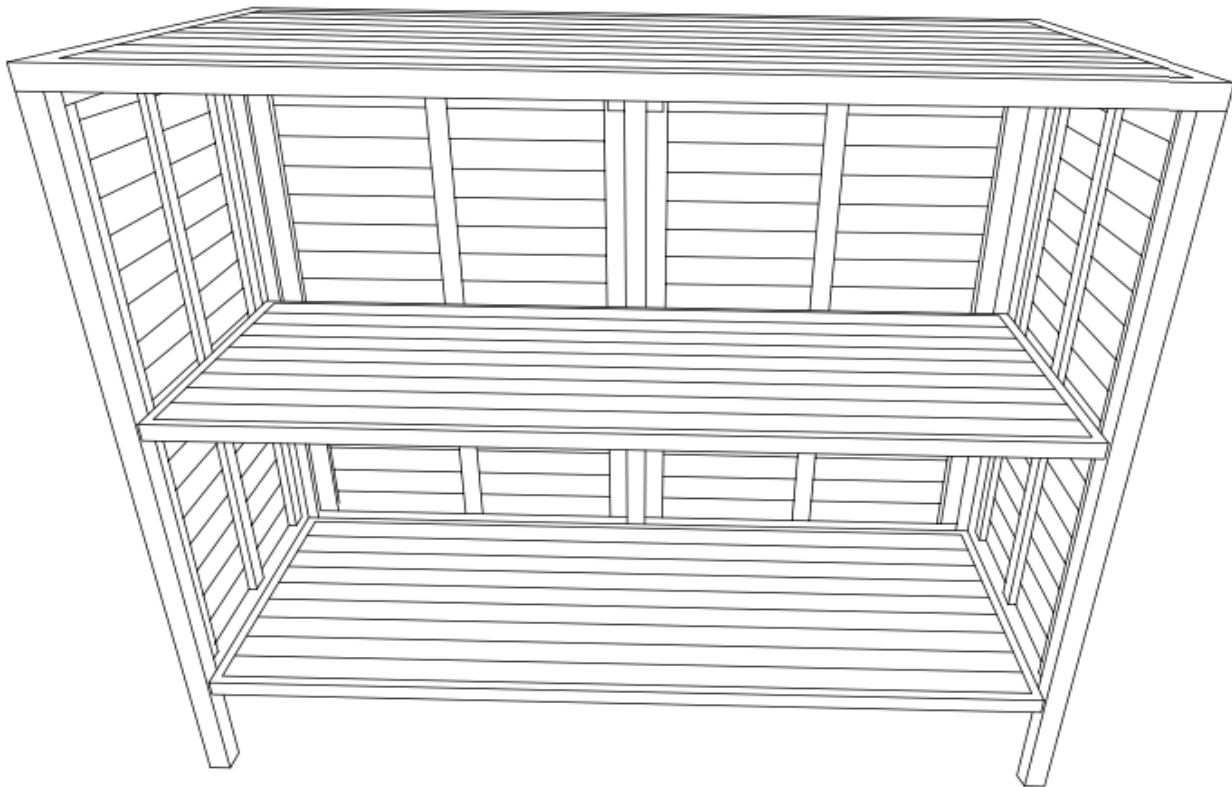


Assembly Instructions

BAR TABLE

CAUTION: You must read this before you proceed.

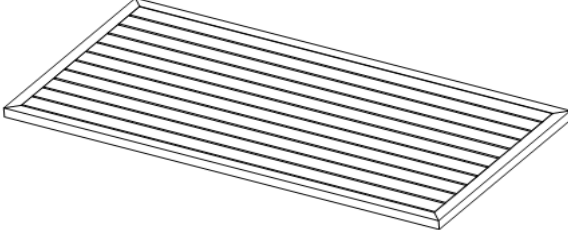


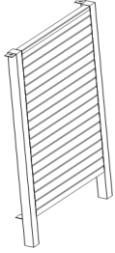
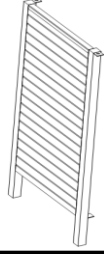
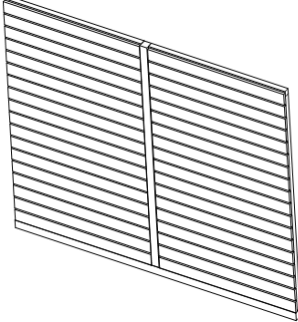
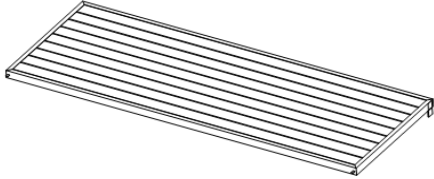
CAUTION : This Bar Table is NOT a TOY.

Keep your child / children at bay during the assembly process.

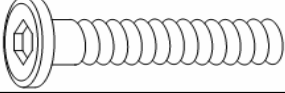


For moving the Bar Table and to prevent damage to the Bar Table, two adults may be needed to execute this action.

Parts List

No.	Picture	Description	Qty
A		Top Panel	1

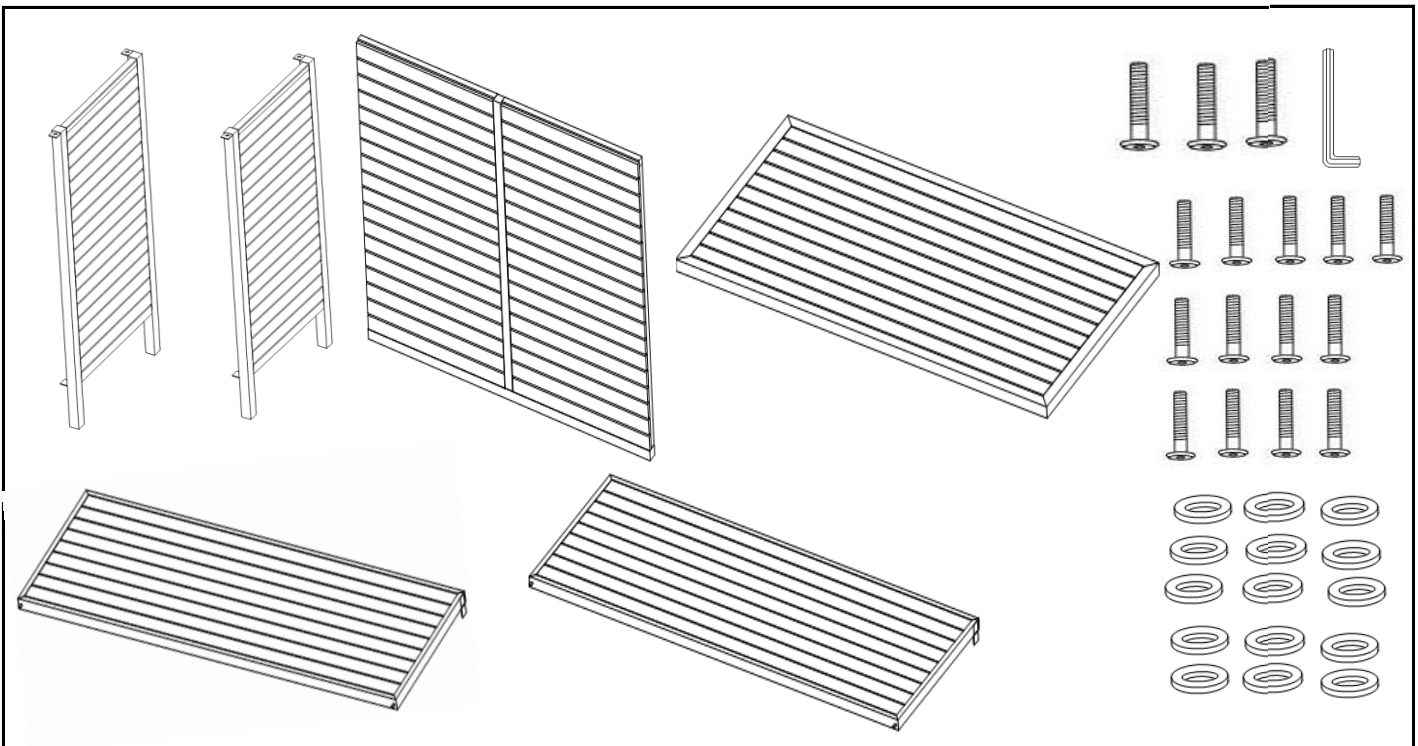
B1		Left Leg Panel	1
B2		Right Leg Panel	1
C		Front Panel	1
D		Shelf Panel	2

Hardware

No.	Picture	Description	Qty
①		Bolt (M6x30mm)	13
②		Washer	15
③		Bolt (M6x50mm)	3
④		Allen Key	1

Assembly Preparation

Before Beginning Assembly:



Read instructions, cover to cover.



Have 2 adults on hand for assembly.



Do not assemble on flooring or carpet.



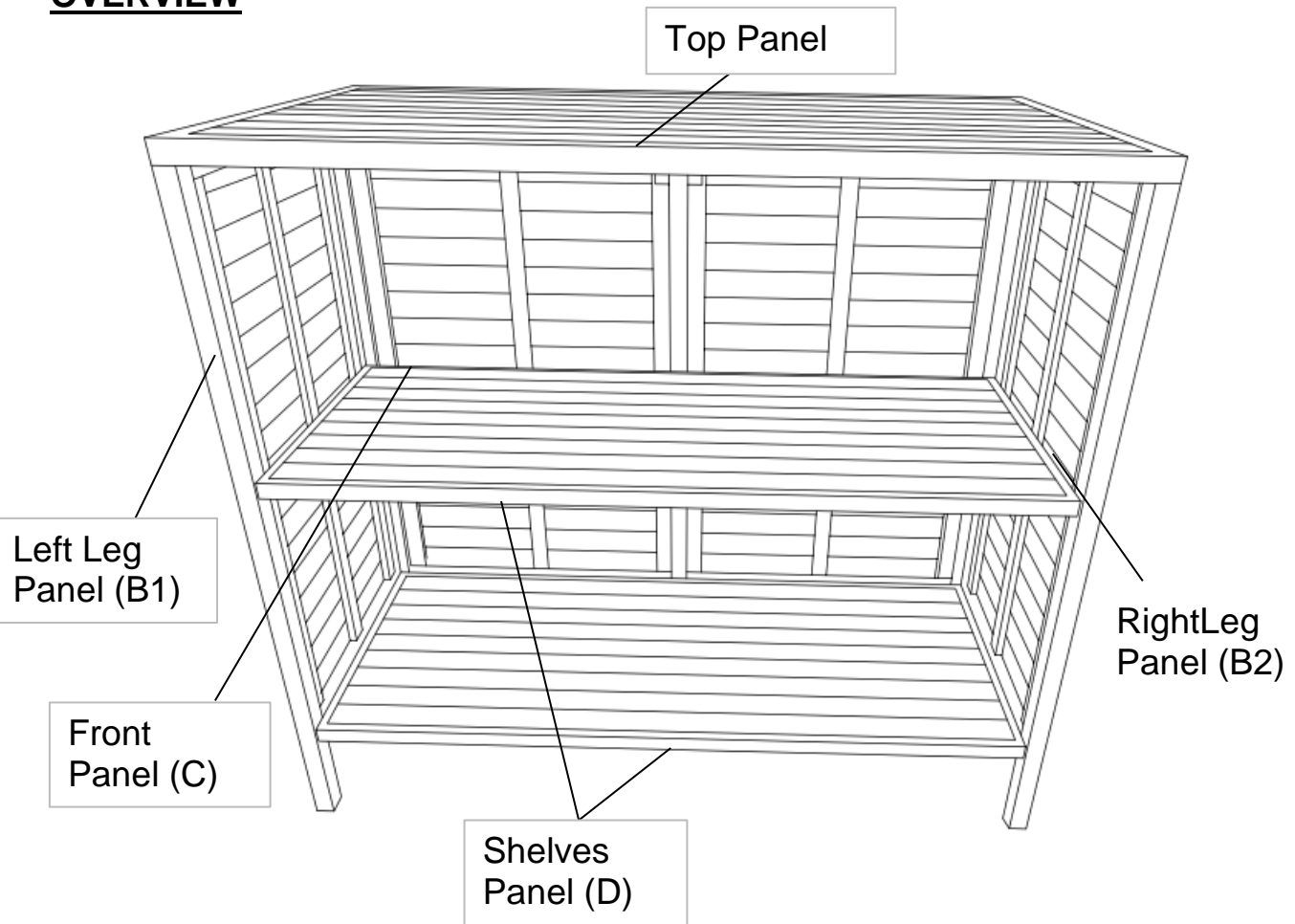
Assemble on a clean non-marring surface (packing foam).



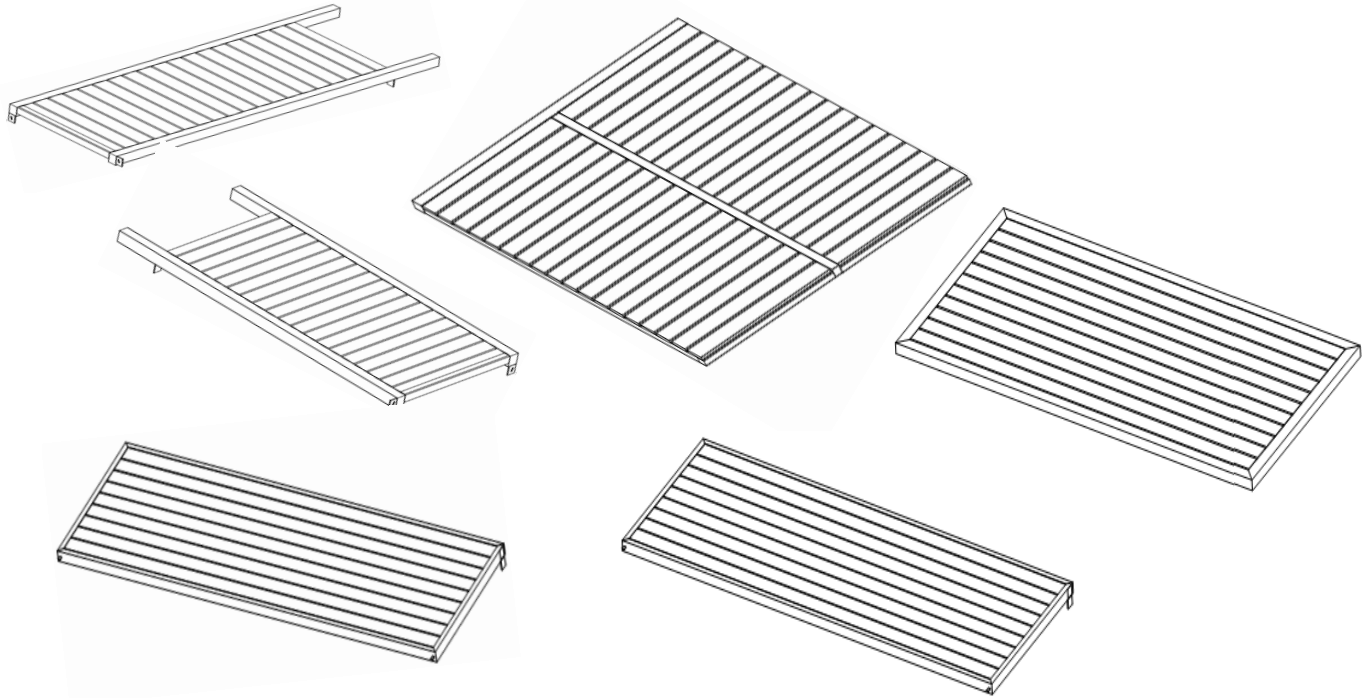
Save all packaging until finished.

Assembly Steps

OVERVIEW

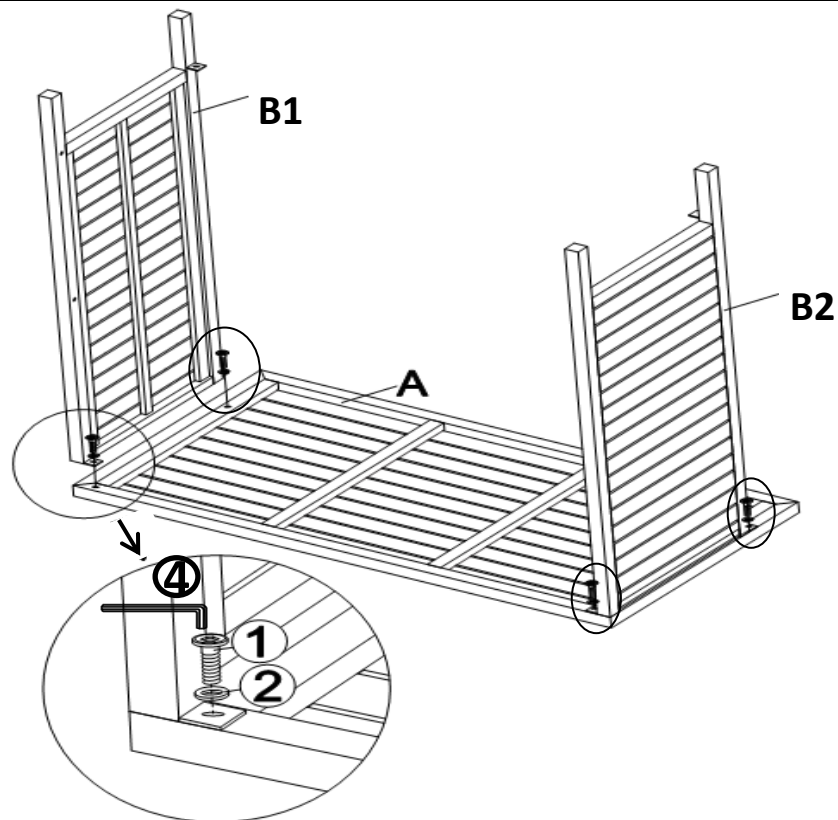


Step 1



Unpack and place all parts on a clean, non-marring surface.

Step 2



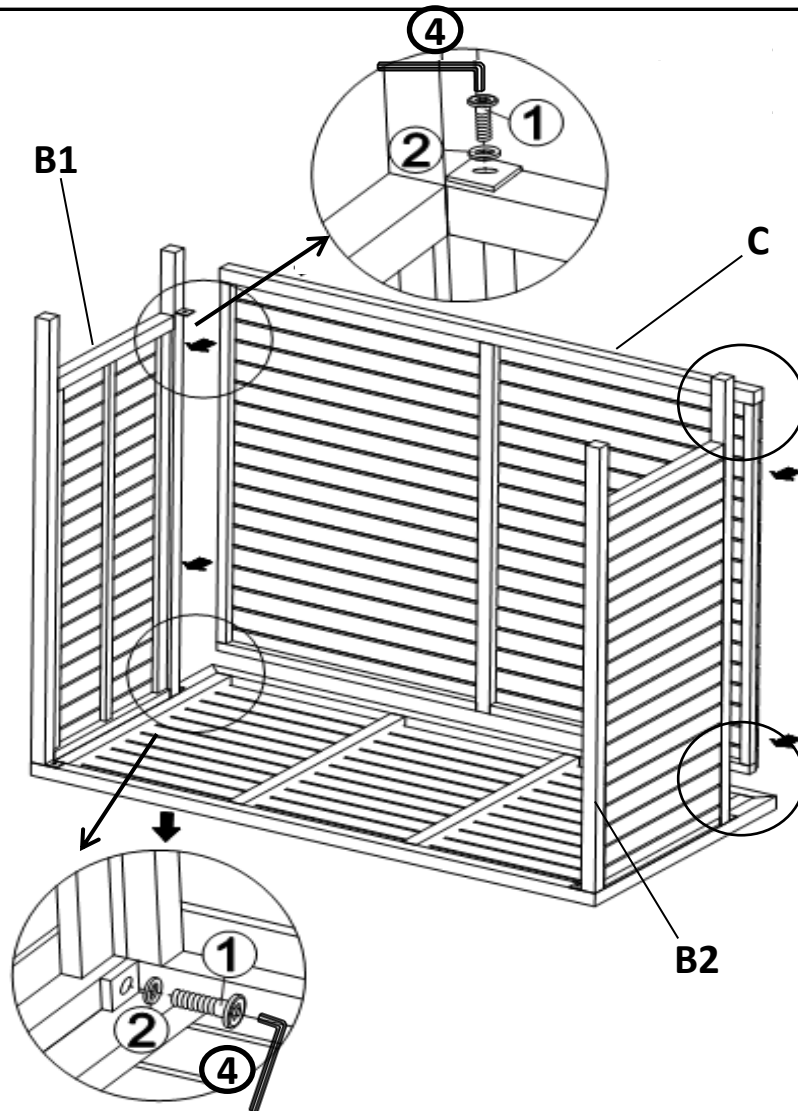
Place the Top Panel(A) facedown onto a clean, non-marring surface.

Position Left Leg Panel(B1) onto the Top Panel (A) and attach using Bolts(①) and Washers(②) with Allen Key(④).

Do not fully tighten Bolts.

Repeat the same process with the Right Leg Panel(B2).

Step 3



Step 3.1

Place the Front Panel(C) into the Frame as pictured above.

3.1) Secure Front Panel(C) to Left Leg Panel(B1) using Bolt(①) and Washer(②) with Allen Key(④)

3.2) Secure Left Leg Panel(B1) to Front Panel(C) using Bolt(①) and Washer(②) with Allen Key(④)

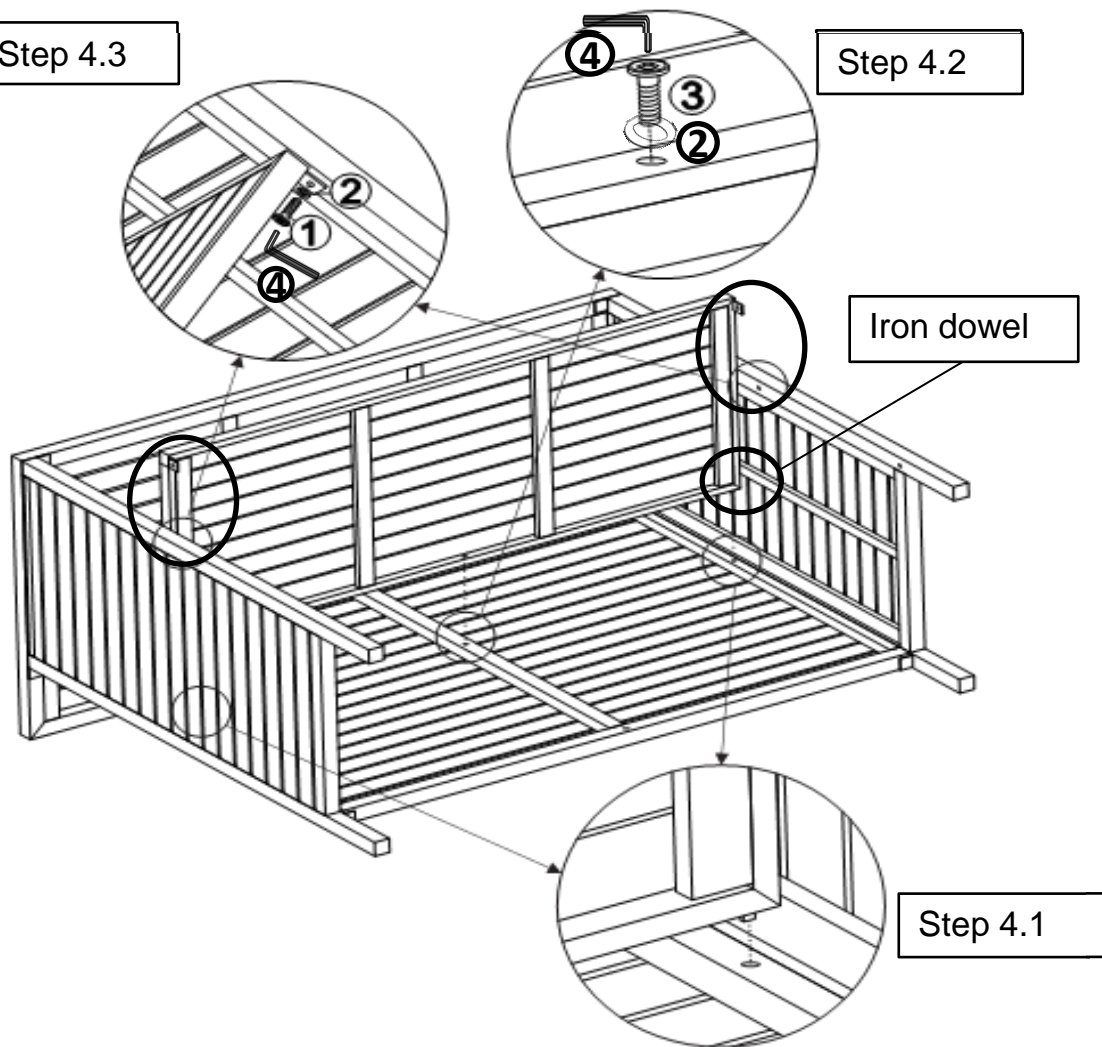
Do not fully tighten Bolts.

Repeat the same process with Right Leg Panel(B2) and Front Panel(C)

Step 4

Step 4.3

Step 4.2



With the assistance of an adult helper, lay the frame down as shown.

4.1) Position Shelf Panel(D) between the Legs so the prefixed iron dowels of Shelf Panel(D) are in the housing on Front Panel(C)

4.2) Secure middle point of Shelf Panel(D) to Front Panel(C) by using Bolt(③) and Washer(②) with Allen Key(④).

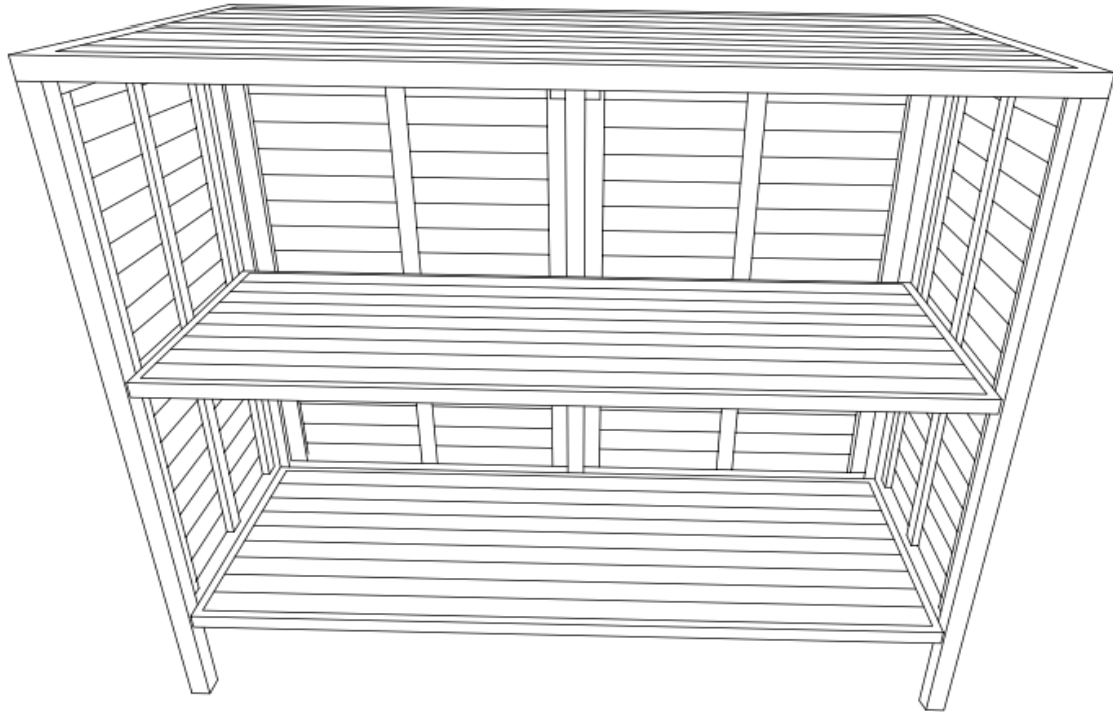
4.3) Secure Shelf Panel(D) to Left Leg Panel(B1) and Right Leg Panel(B2) by using Bolts(①) and Washers(②) with Allen Key(④)

Do not fully tighten the Bolts.

Repeat the same process to the other Shelf Panel(D)

In a sequential manner, tighten all Bolts at all joints until fully locked into position

Step 5



With the assistance of an adult helper, stand the Bar Table up.
Ensure all Bolts are fully locked into position.
Your Bar Table is ready for use.

This Bar Table can only be used on a flat, level surface.

Care & Maintenance



- Do not put hot items directly on furniture surface



- Do not clean furniture with harsh cleansers or polish.



- To obtain the longest lifespan of your outdoor products, minimizing exposure to to direct sunlight is recommended.



● Children should not climb or jump on the furniture.



● Do not write on furniture without a padded barrier to protect the surface.



● To obtain the longest lifespan of your outdoor products, avoid extended and lengthy exposure to rain, snow, and direct sunshine. Whenever possible cover the product and /or place under patio or awnings.



● Not for commercial use. For residential use only .



● Stains may be removed with mild soap solution and damp cloth.



● Dust and pick-up spills using a clean, non-colored, lint-free cloth .

What is Proposition 65?

Proposition 65 is a California law that requires warning labels on products that may contain one of more than 800-plus chemicals or ingredients that the California Office of Environmental Health Hazard Assessment (OEHHA) has deemed to cause cancer or other reproductive toxicity. Chemicals and elements on this list include wood dust, brass, and other everyday substances, which can be found in very common household items, such as: lamps, tableware, jewelry, crystal glasses, electric cords, beauty products, automobiles, and furniture.

Why Did I Find a Proposition 65 Warning on My Home Goods Product?

We include Proposition 65 warnings on all of our products because there is always a chance that one of the 800-plus common chemicals and ingredients listed under this law could potentially be on our furniture or packing materials. We risk large fines under this law, if we don't include this warning.

Should I worry?

We realize you may be worried finding this warning on our products, but we want to reassure you that the hazardous exposure limits for any of these chemicals have never been found on furniture products that we've shipped to our customers. Additionally, this warning label is very common and can be found on almost every piece of furniture sold in the state of California.

Just How Common Are Proposition 65 Warnings?

Proposition 65 warnings have become so common in California that it is hard to take a trip to a local bank, grocery store, or restaurant without finding at least one warning. In fact, even the Disney Land Resort has a Proposition 65 warning:

