

**Tips!**

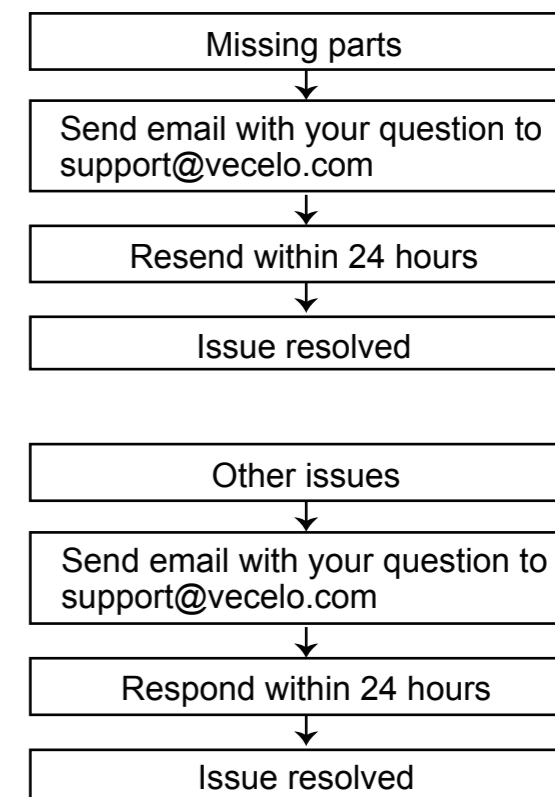
Check all the components & screws before assembly. **Do not install in case part is missing, contact us to get.** Send email with your question to support@vecelo.com. We will resend within 24 hours.

**Return Policy**

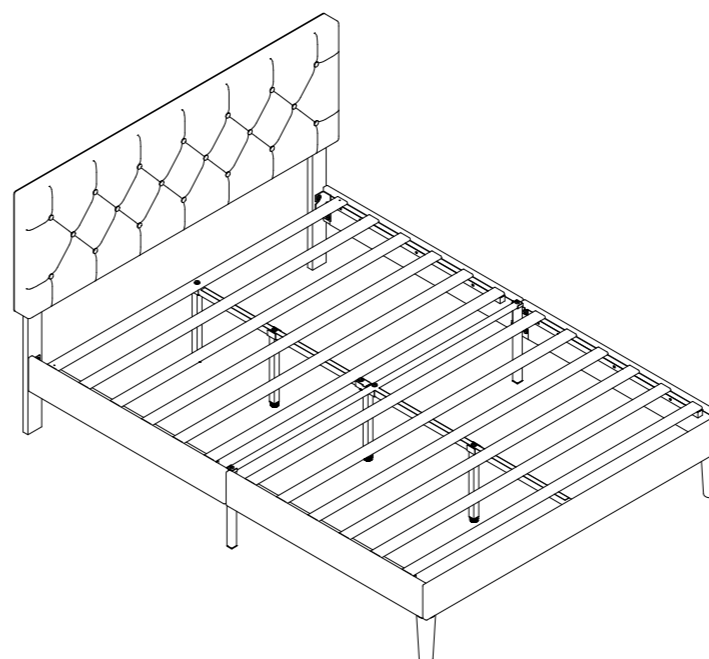
We believe you will absolutely love your new item. But if for some reason you want to return, please contact us directly before you decide to return your product. Our customer service organization can answer most concerns and assist you with any questions you may have about your new item, please email us first at: support@vecelo.com.

The item must be returned within 30 days of delivery for a full refund. The item must be returned in good condition, in original box, with all original proof of purchase, parts and accessories.

**Trouble shooting:**



We control manufacturing and distribution ourselves, ensure the quality.



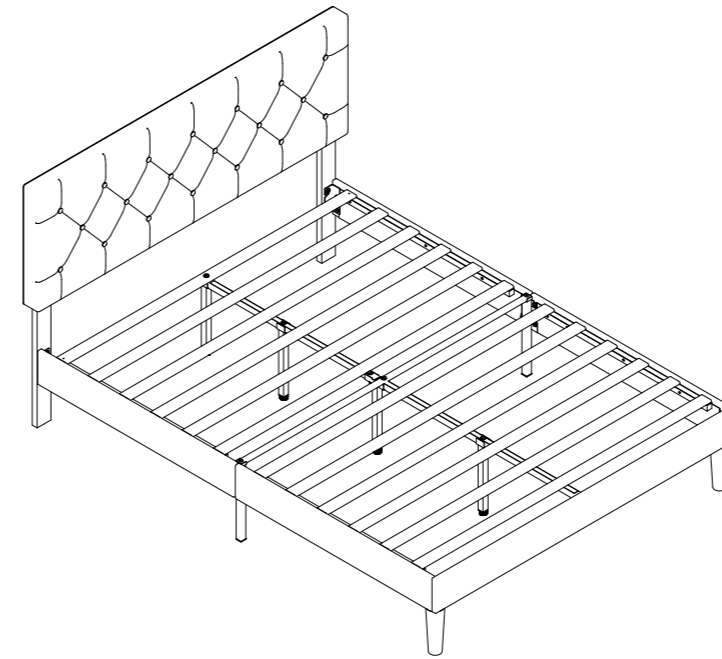
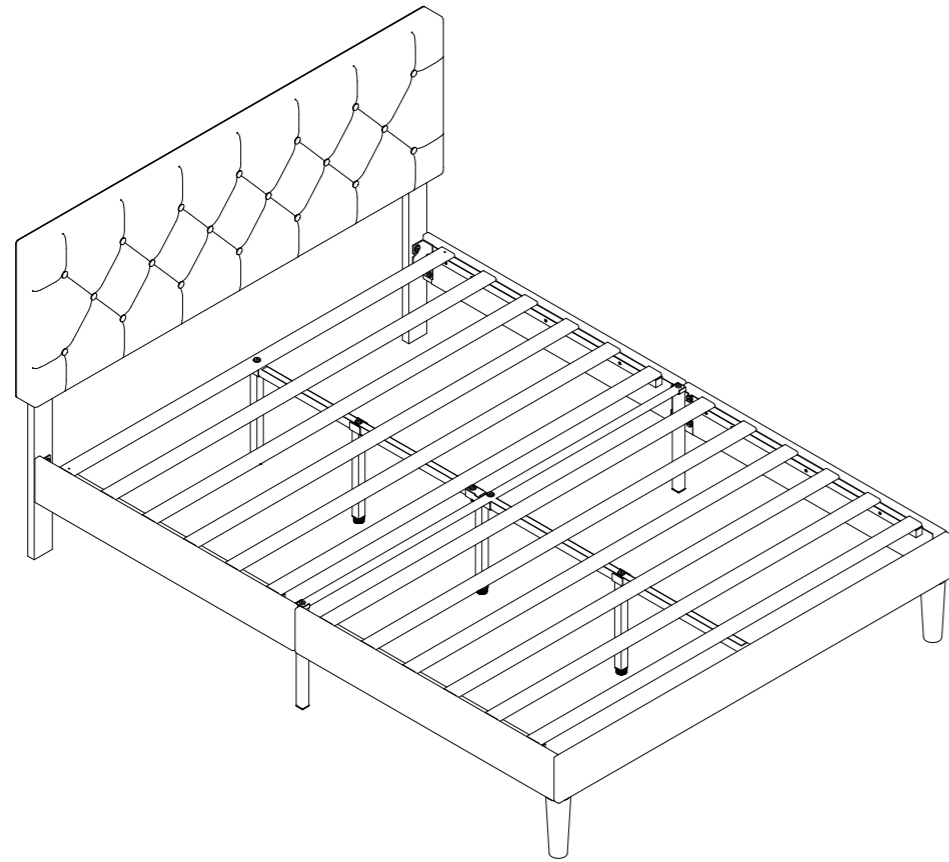
Item Description: Bed-Frame

Dimension: TWIN:106\*196\*(98-118)cm

FULL:144\*196\*(98-118)cm

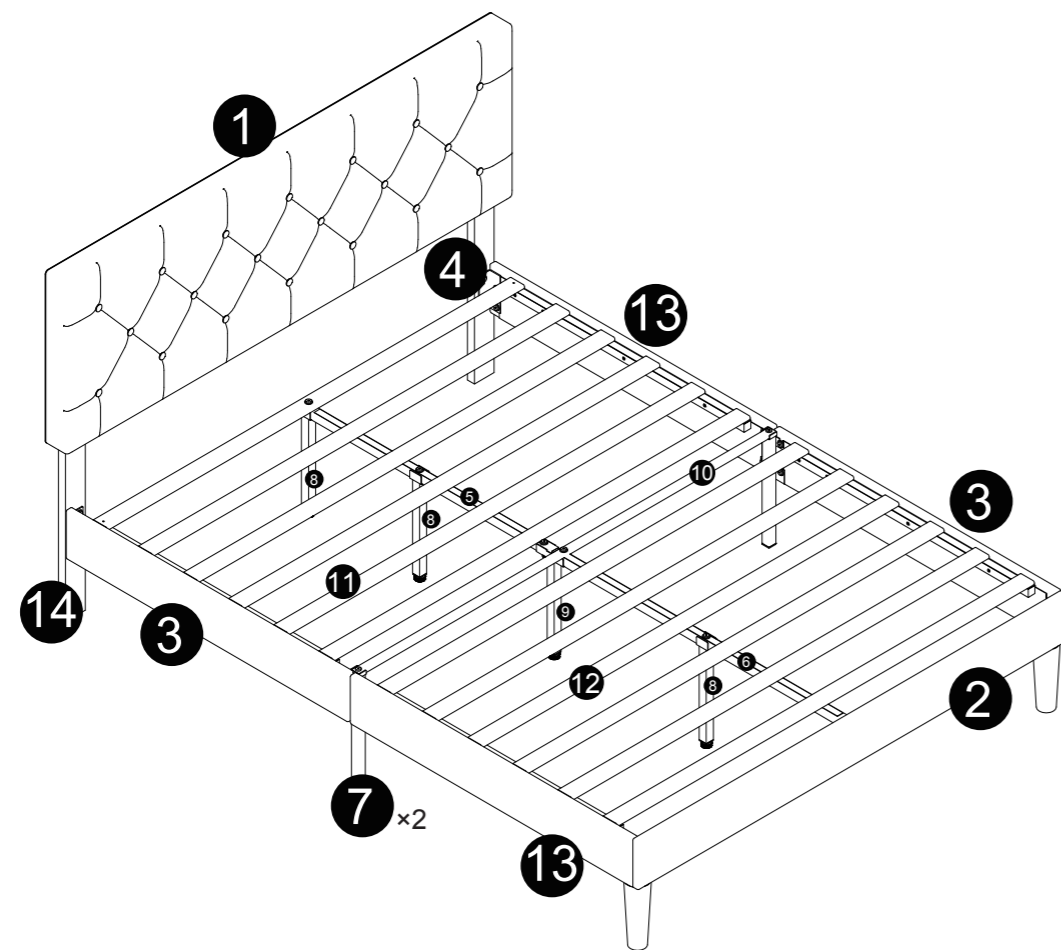
QUEEN:159\*207\*(98-118)cm

Model NO: WR-NO.1



## Bed-Frame

Dimension: TWIN:106\*196\*(98-118)cm  
FULL:144\*196\*(98-118)cm  
QUEEN:159\*207\*(98-118)cm

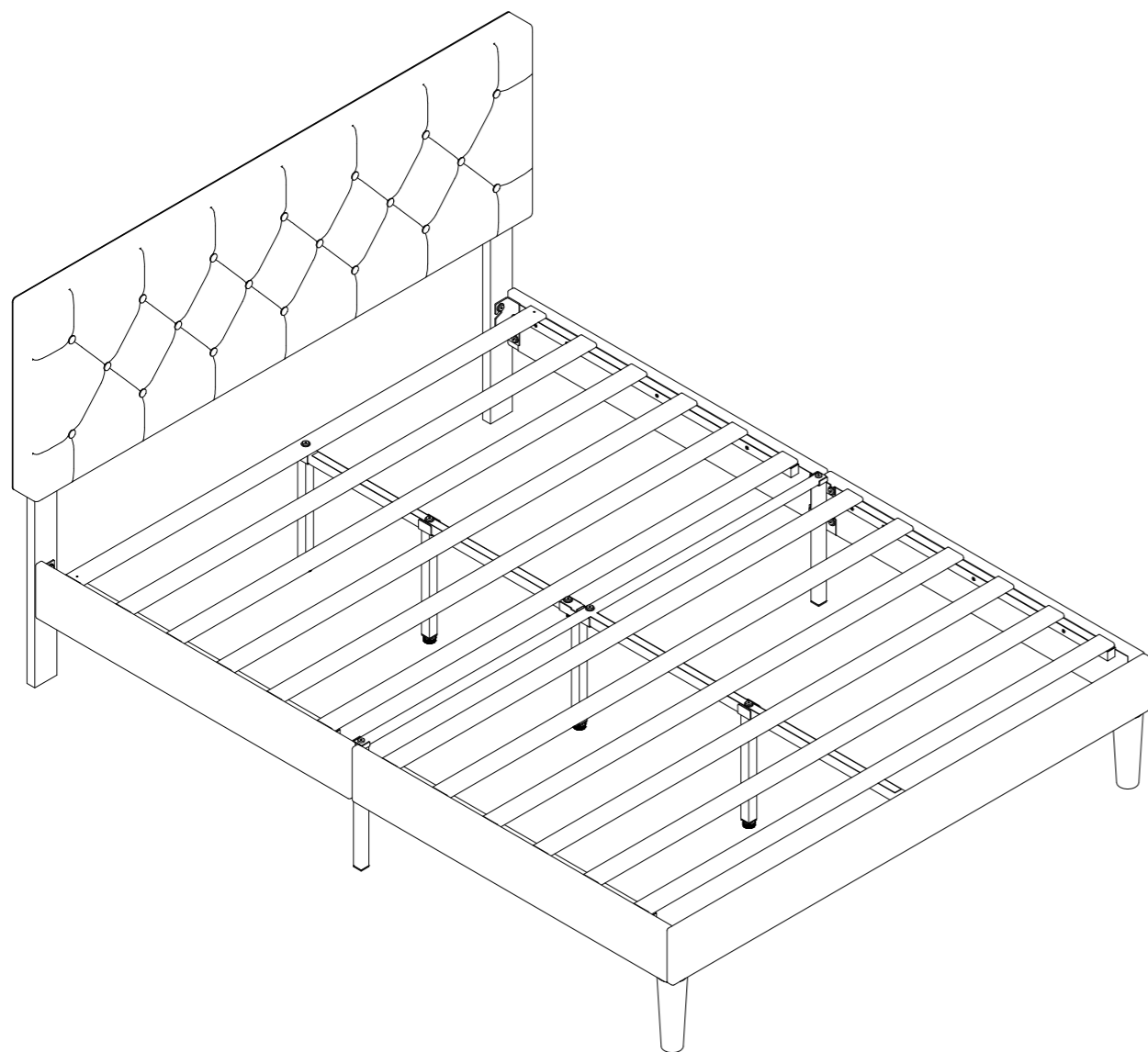


## How to find us?

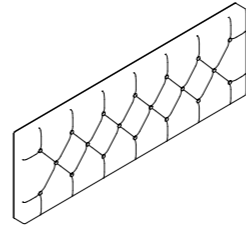
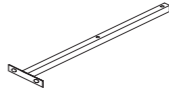
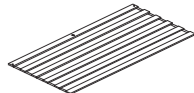
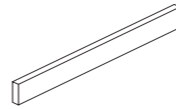
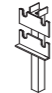
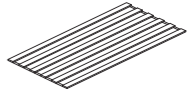
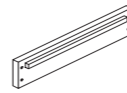

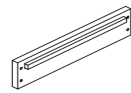



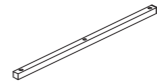
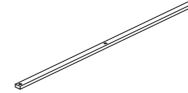
Email: [support@vecelo.com](mailto:support@vecelo.com)



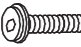




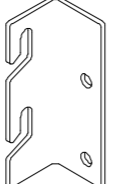
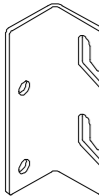

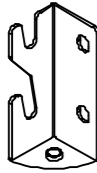
Website: [www.vecelo.com](http://www.vecelo.com)

# Step 10






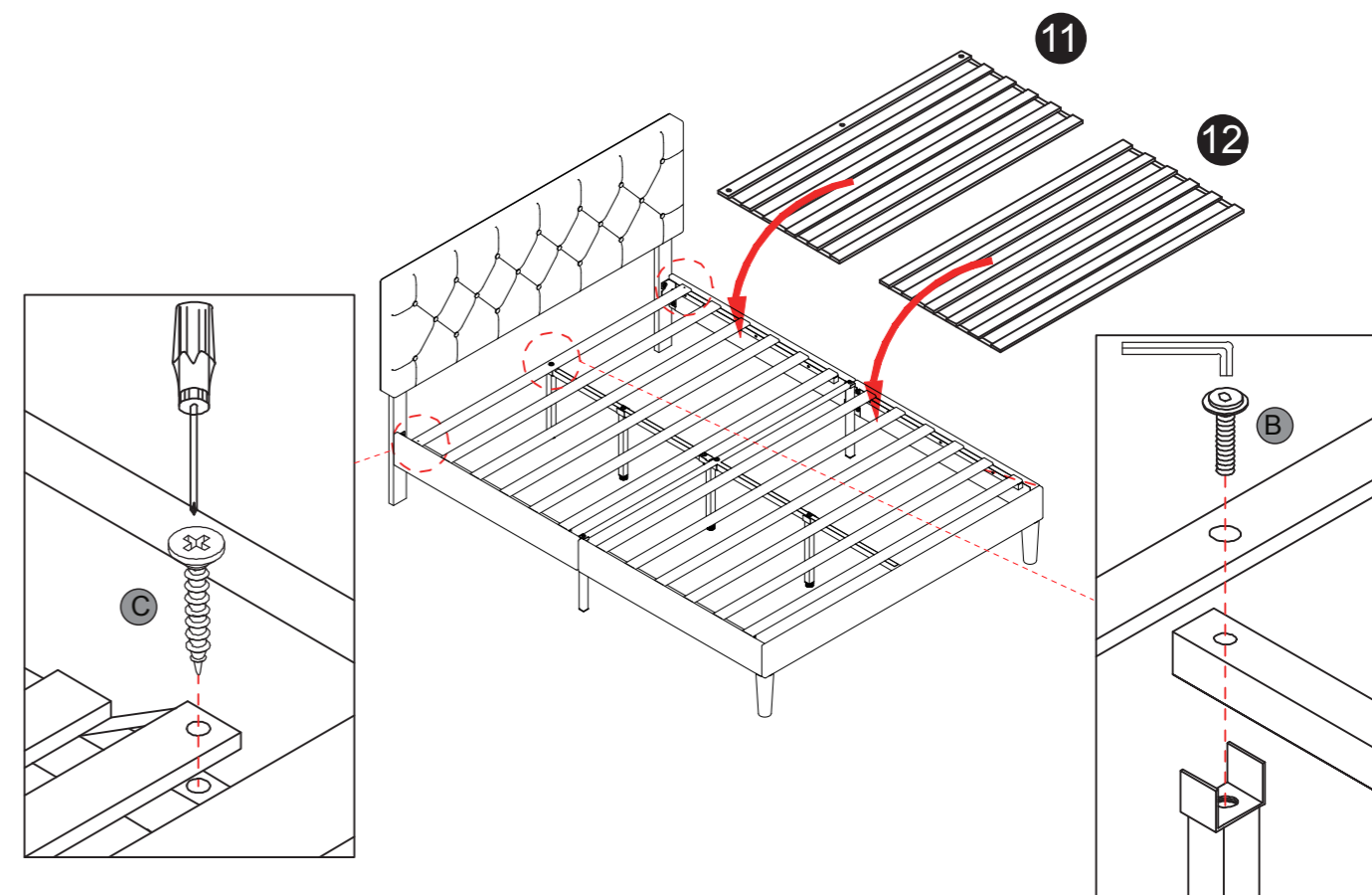
## Components

1		1	6		1	11		1
	TWIN:106*53.5*9cm			TWIN:98*8*2.5cm			TWIN:95*5.2*1.2cm	
	FULL:144*53.5*9cm			FULL:98*8*2.5cm			FULL:133*5.2*1.2cm	
	QUEEN:159*53*9cm			QUEEN:103.5*8*2.5cm			QUEEN:148.5*5.2*1.2cm	
2		1	7		2	12		1
	TWIN:100*15.5*2cm			TWIN:34.6*8.4*3.5cm			TWIN:95*5.2*1.2cm	
	FULL:138*15.5*2cm			FULL:34.6*8.4*3.5cm			FULL:133*5.2*1.2cm	
	QUEEN:153.5*15.5*2cm			QUEEN:34.6*8.4*3.5cm			QUEEN:148.5*5.2*1.2cm	
3		2	8		3	13		2
	TWIN:95.3*15.5*4.8cm			TWIN:32.4*4*3cm			TWIN:95.3*15.5*4.8cm	
	FULL:95.3*15.5*4.8cm			FULL:32.4*4*3cm			FULL:95.3*15.5*4.8cm	
	QUEEN:100.8*15.5*4.8cm			QUEEN:32.4*4*3cm			QUEEN:100.8*15.5*4.8cm	
4		1	9		1	14		1
	TWIN:83.5*7.5*3cm			TWIN:32.5*9.5*2.5cm			TWIN:83.5*7.5*3cm	
	FULL:83.5*7.5*3cm			FULL:32.5*9.5*2.5cm			FULL:83.5*7.5*3cm	
	QUEEN:83.5*7.5*3cm			QUEEN:32.5*9.5*2.5cm			QUEEN:83.5*7.5*3cm	
5		1	10		1			
	TWIN:85*2.5*2.5cm			TWIN:95.5*2.4*1.2cm				
	FULL:85*2.5*2.5cm			FULL:133*2.4*1.2cm				
	QUEEN:90.5*2.5*2.5cm			QUEEN:148.5*2.4*1.2cm				

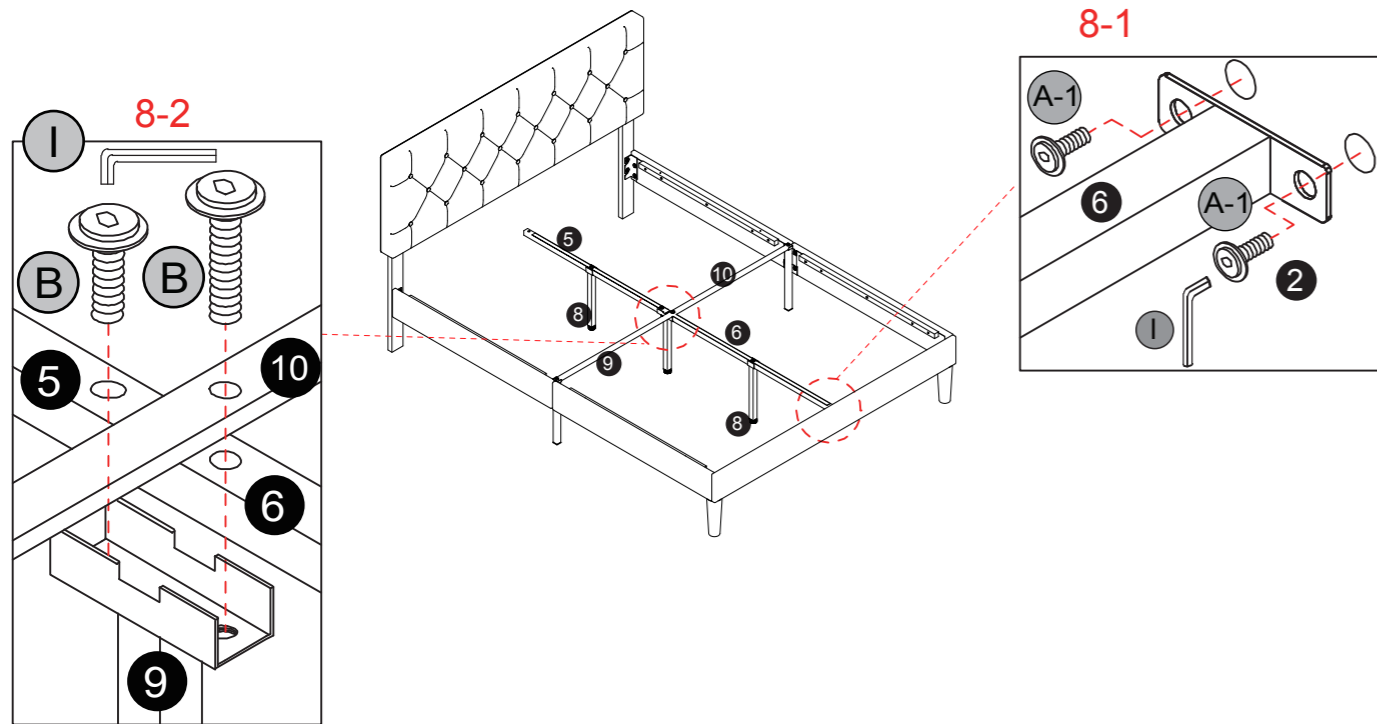
<b>A</b>		Bolt 5/16 x 25	6	<b>A-1</b>		Bolt 5/16 x 19	22
<b>B</b>		Bolt 5/16 x 45	9	<b>C</b>		Screw M4 x 25	2
<b>D</b>		Spacer	4	<b>E</b>		Angle iron	1
<b>F</b>		Foot	2	<b>G</b>		Angle iron (Right)	1
<b>H</b>		Angle iron (Left)	1	<b>I</b>		Allen Key M4	1
<b>K</b>		Angle iron	1				

### Step 9

	Bx1
	Cx2
	Ix1

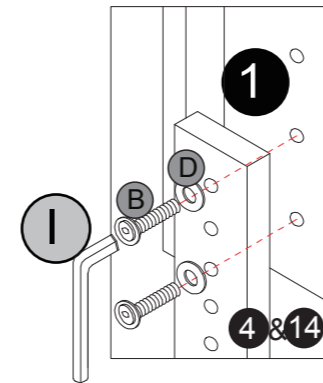


### Step 8

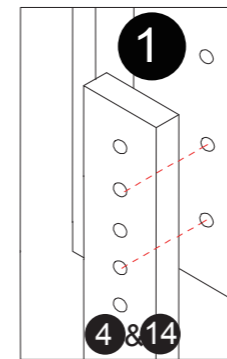


### Step 1

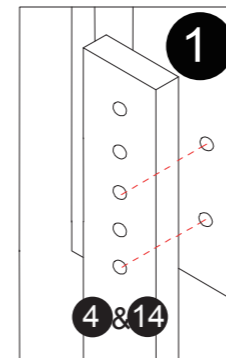
Each pair of holes corresponds to a mattress thickness as shown below



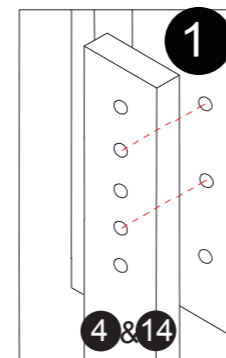
Use these holes to fit a 14 inch thick mattress (46.3 inch tall overall)



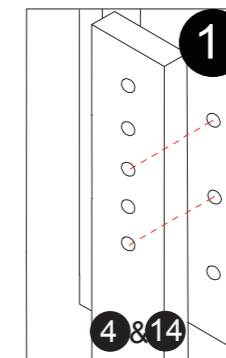
Use these holes to fit a 12 inch thick mattress (44.3 inch tall overall)



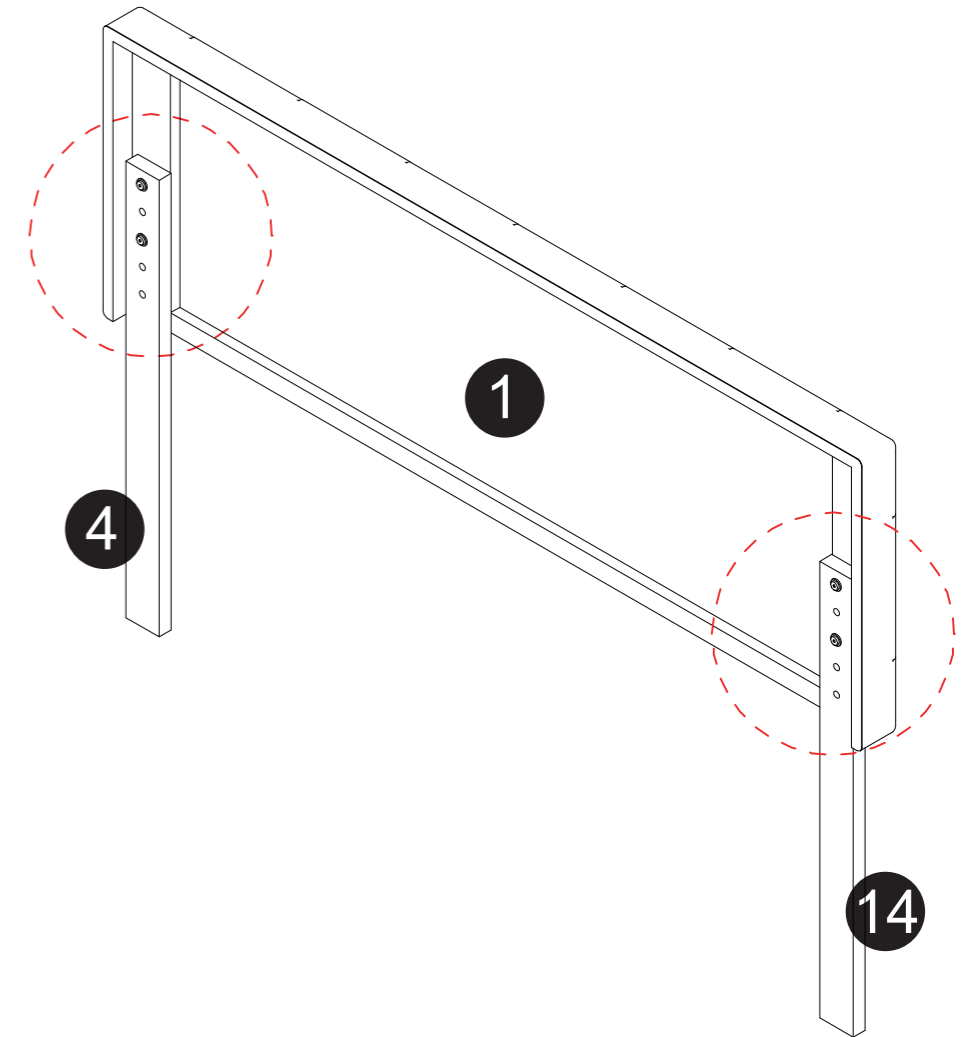
Use these holes to fit a 10 inch thick mattress (42.3 inch tall overall)



Use these holes to fit a 8 inch thick mattress (40.3 inch tall overall)

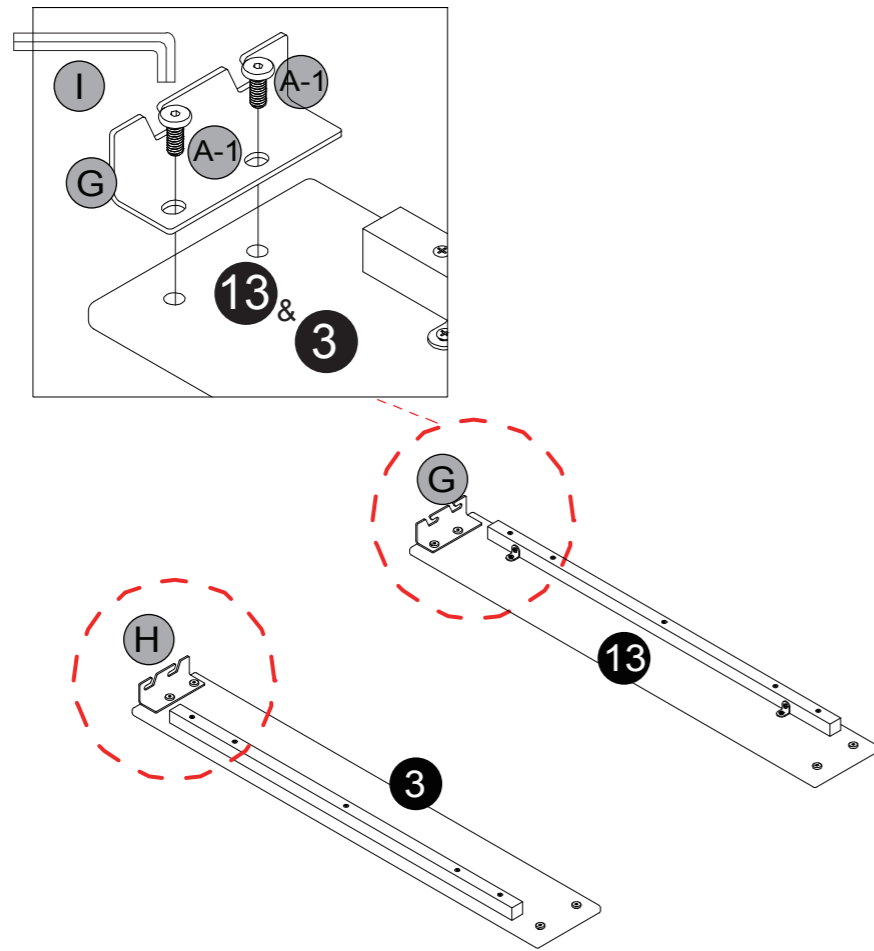


Use these holes to fit a 6 inch thick mattress (38.4 inch tall overall)



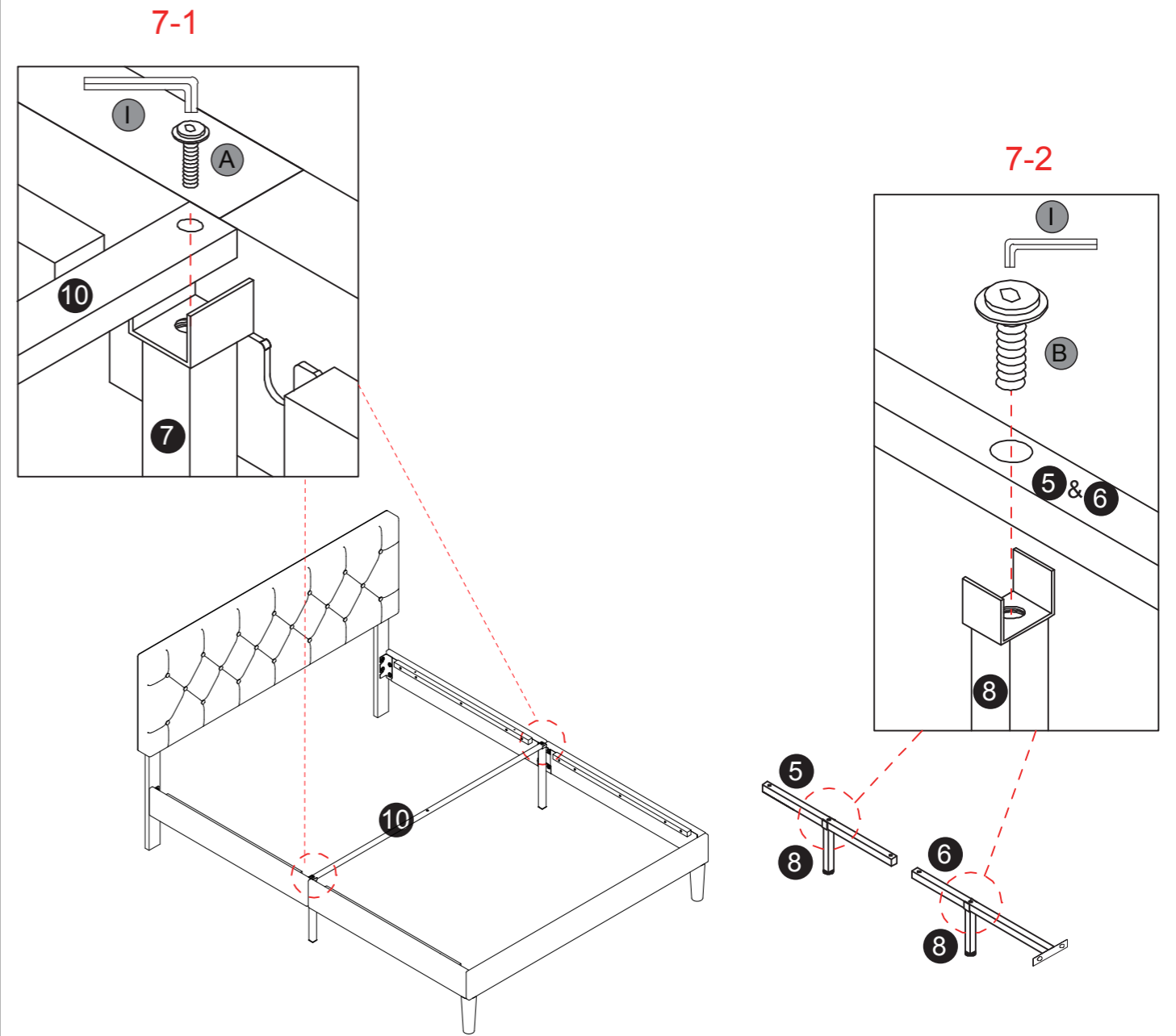
# Step 2

- A-1 x 4
- Gx1
- Hx1
- Ix1





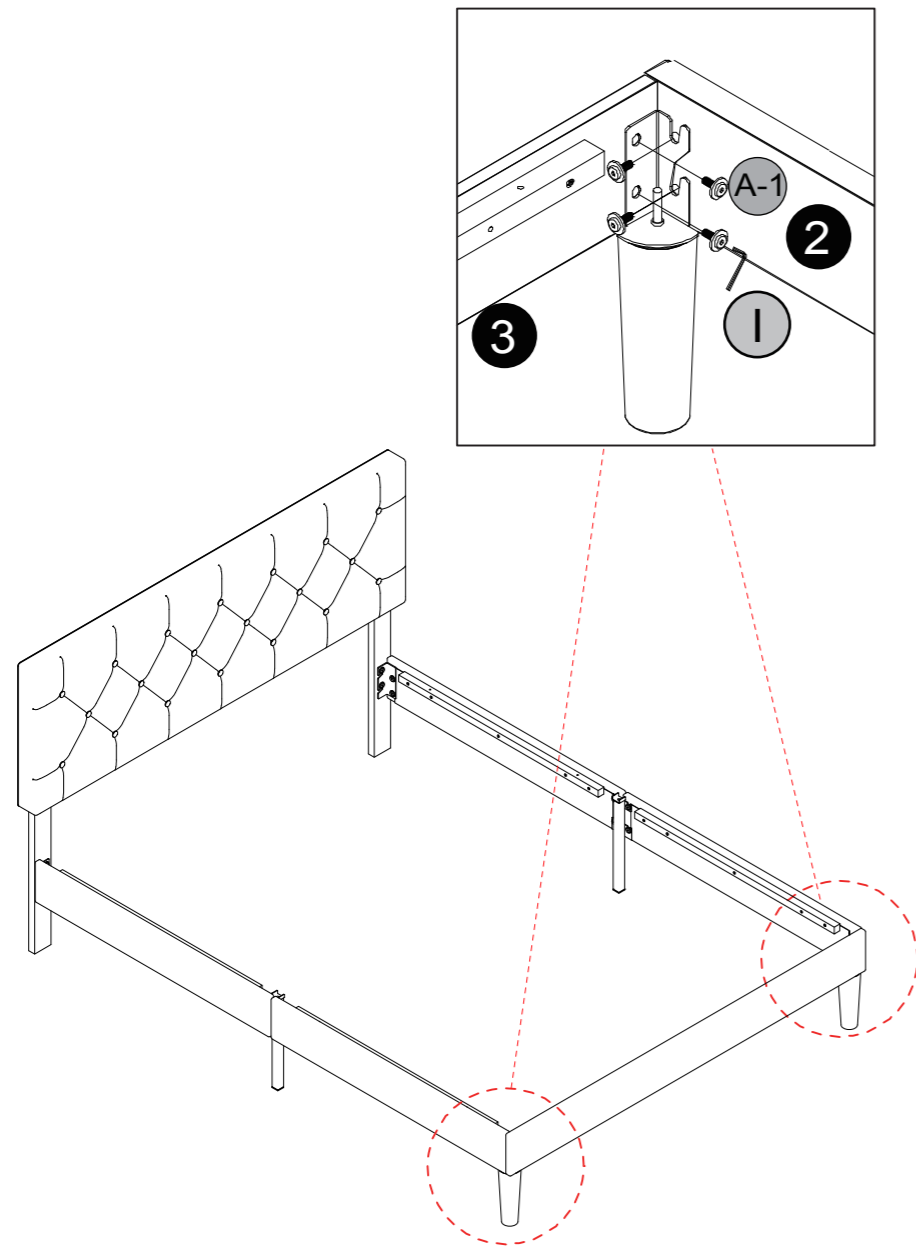
# Step 7

- Ax2
- Bx2
- Ix1





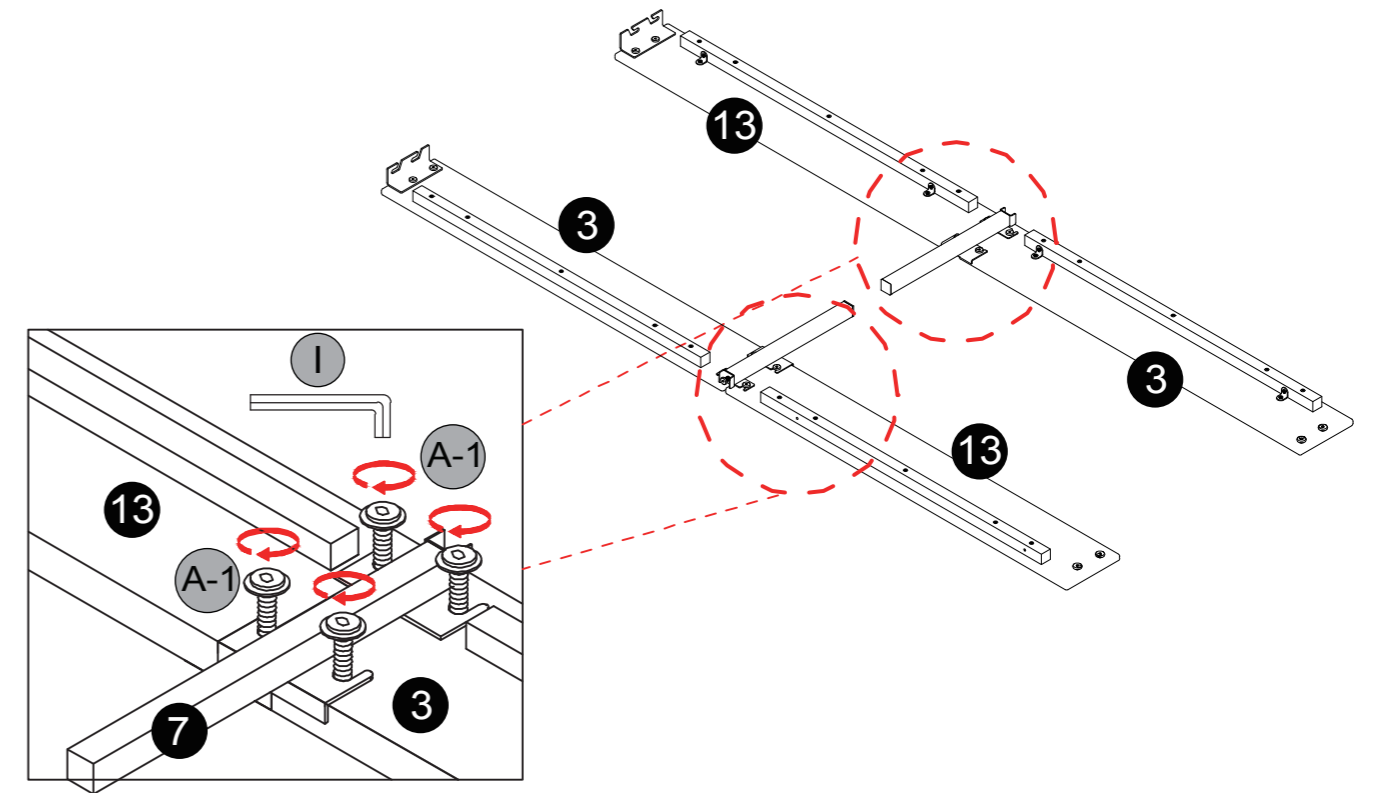
# Step 6

 A-1 x 8  1 x 1



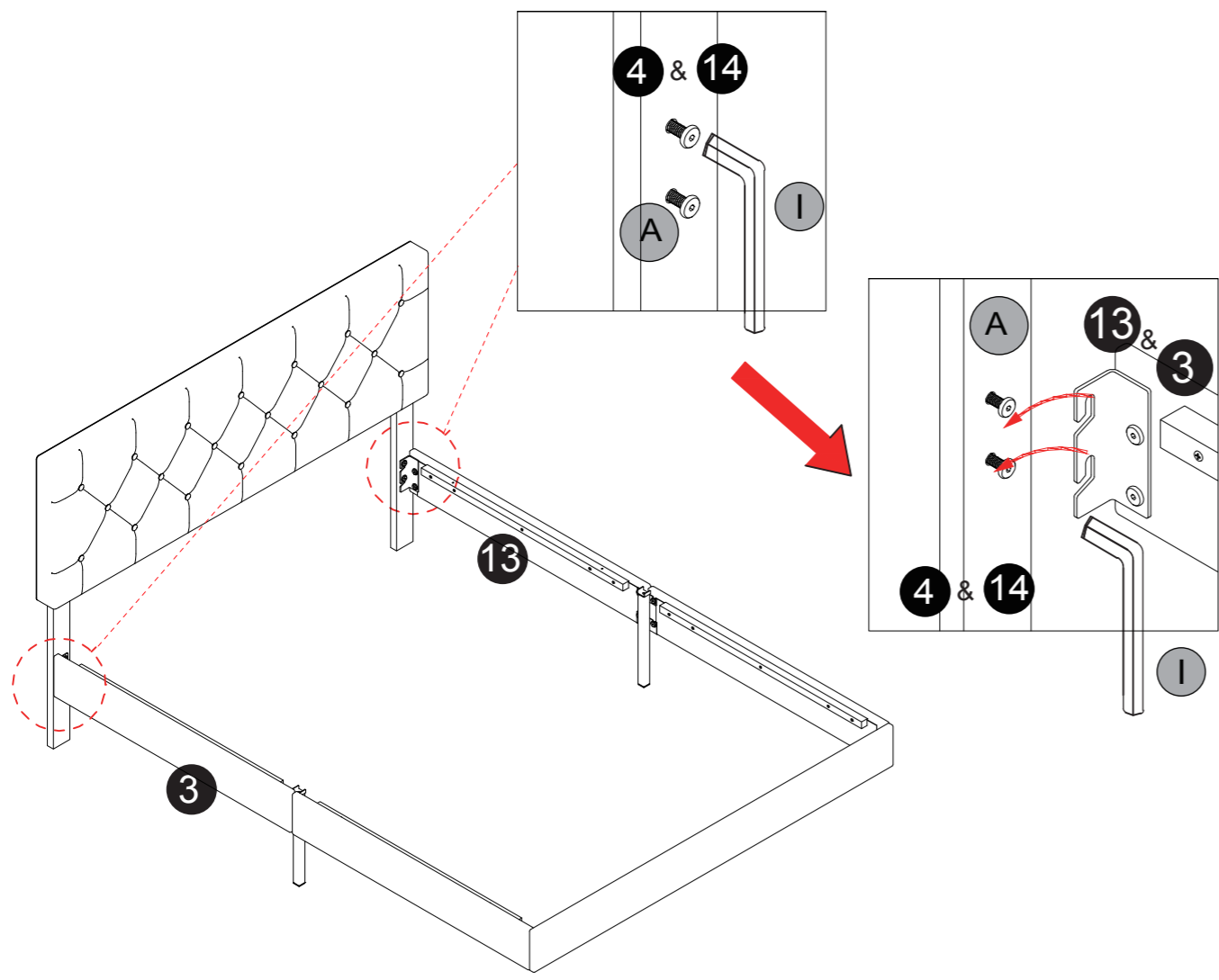
# Step 3

 A-1 x 8  1 x 1





# Step 4

 A x 4  I x 1



# Step 5

 E x 1  K x 1  F x 2

