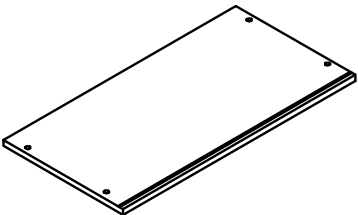
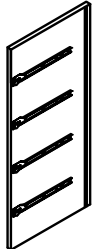
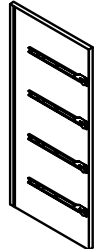
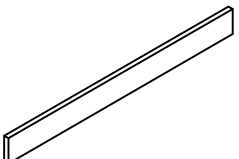
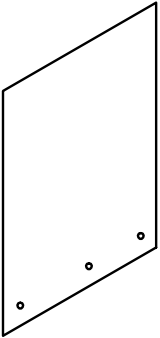
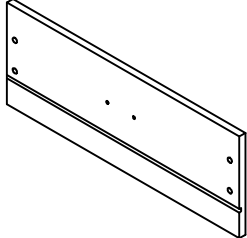
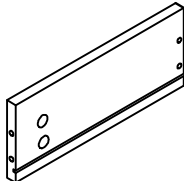
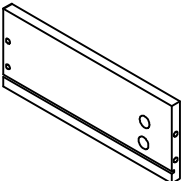
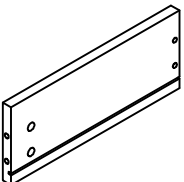
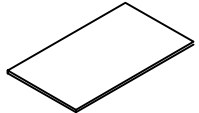
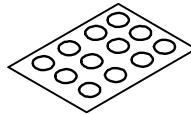
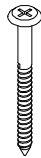
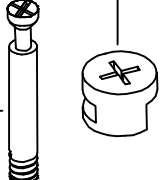
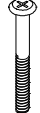

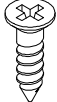
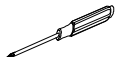
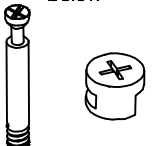
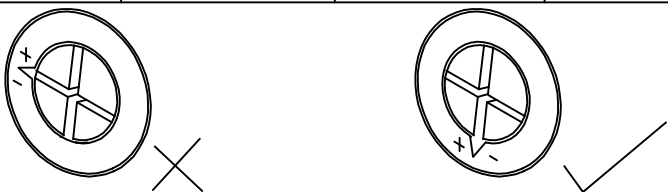
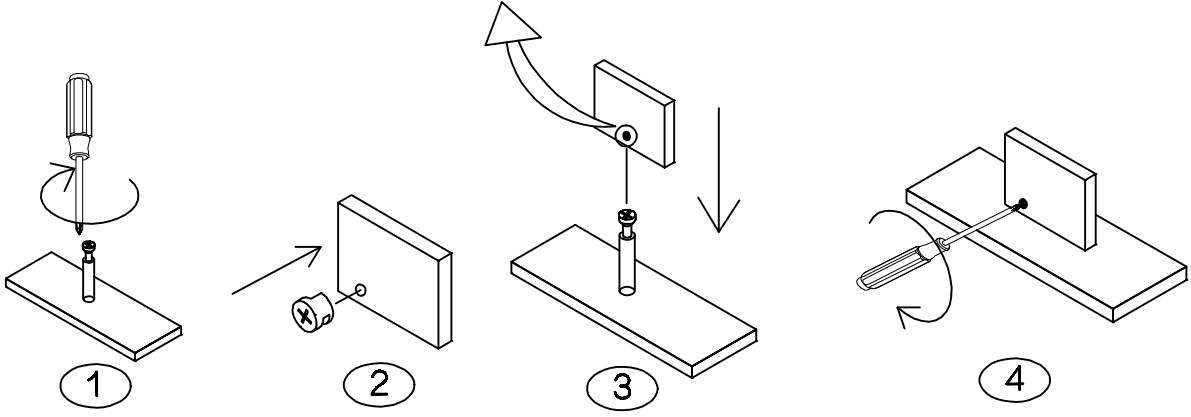


# ASSEMBLY INSTRUCTION FOR 13028229/235

P1

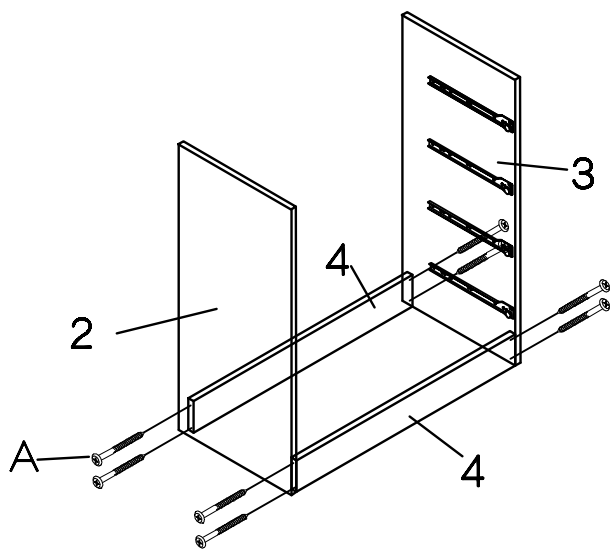
<p>1</p>  <p>1PC</p>	<p>2</p>  <p>1PC</p>	<p>3</p>  <p>1PC</p>	<p>4</p>  <p>3PCS</p>		
<p>5</p>  <p>1PC</p>	<p>6</p>  <p>4PCS</p>	<p>7</p>  <p>4PCS</p>	<p>8</p>  <p>4PCS</p>		
<p>9</p>  <p>4PCS</p>	<p>10</p>  <p>4PCS</p>	<p>11</p> 			
<p>A</p> <p>28PCS</p>  <p>M5 x 50</p>	<p>B</p> <p>20PCS</p>  <p>B1</p> <p>B2</p>	<p>C</p> <p>8PCS</p>  <p>M4 x 18</p>	<p>D</p> <p>4PCS</p> 	<p>E</p> <p>3PCS</p>  <p>M3.5 x 12</p>	
<p>bolts installation as below</p> 					
 <p>1</p> <p>2</p> <p>3</p> <p>4</p>					

# ASSEMBLY INSTRUCTION FOR 13028229/235

P2

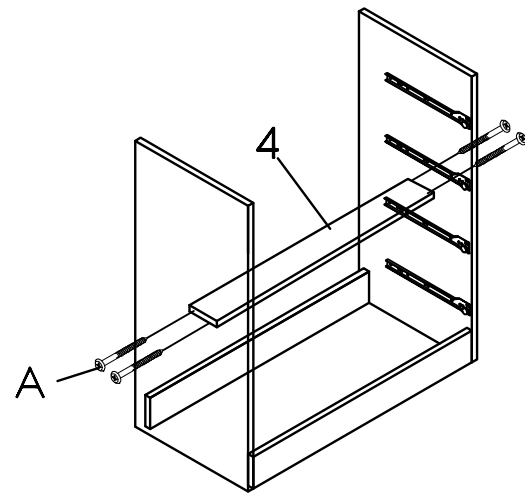
1

A  
8PCS  
M5×50

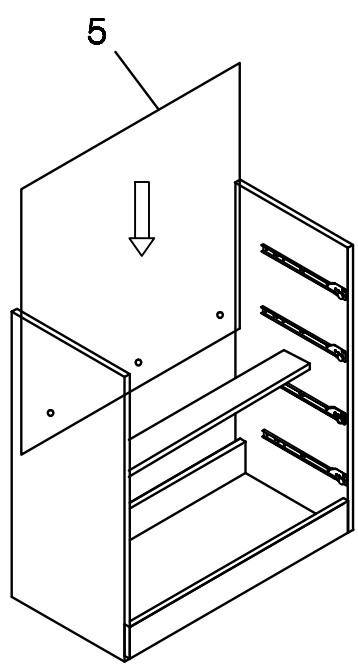


2

A  
4PCS  
M5×50



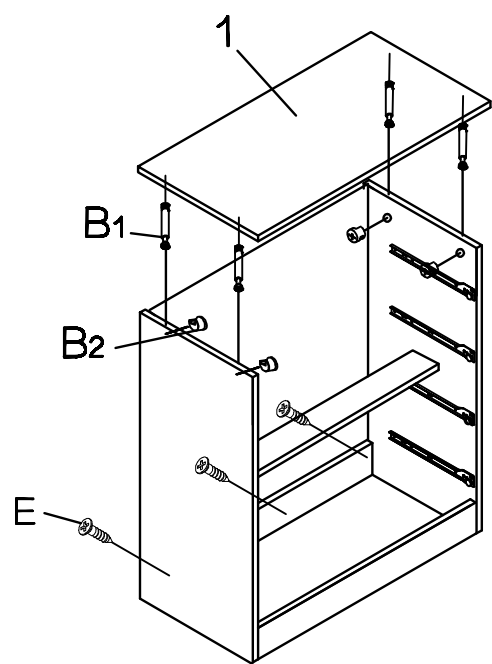
3



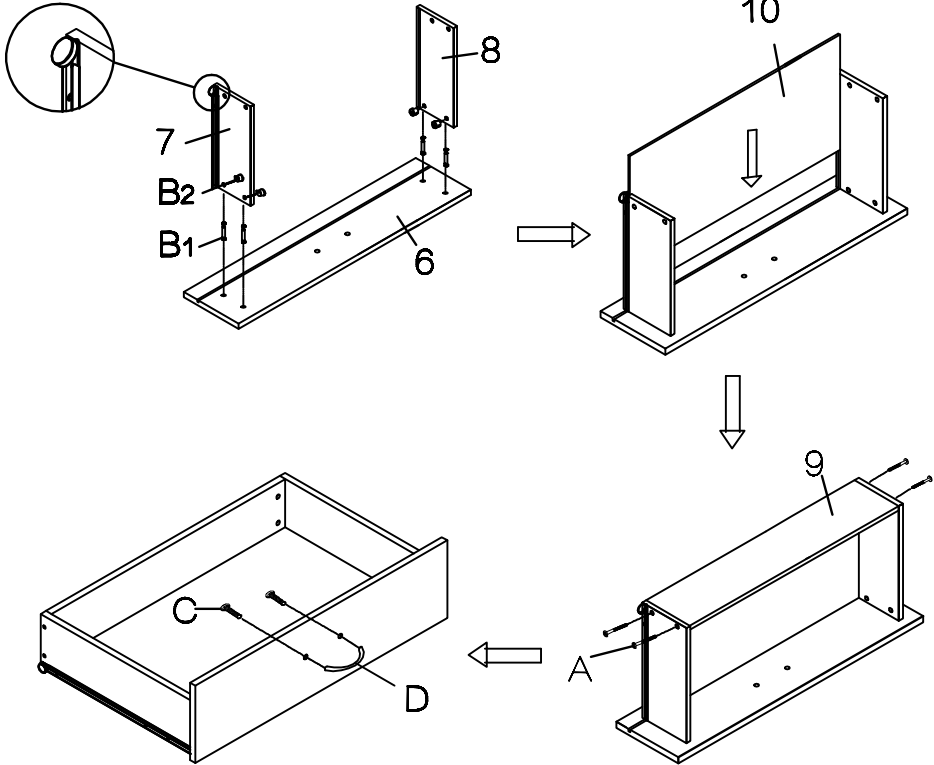
4

B  
4PCS  
B1  
B2

E  
3PCS  
M3.5×12



5

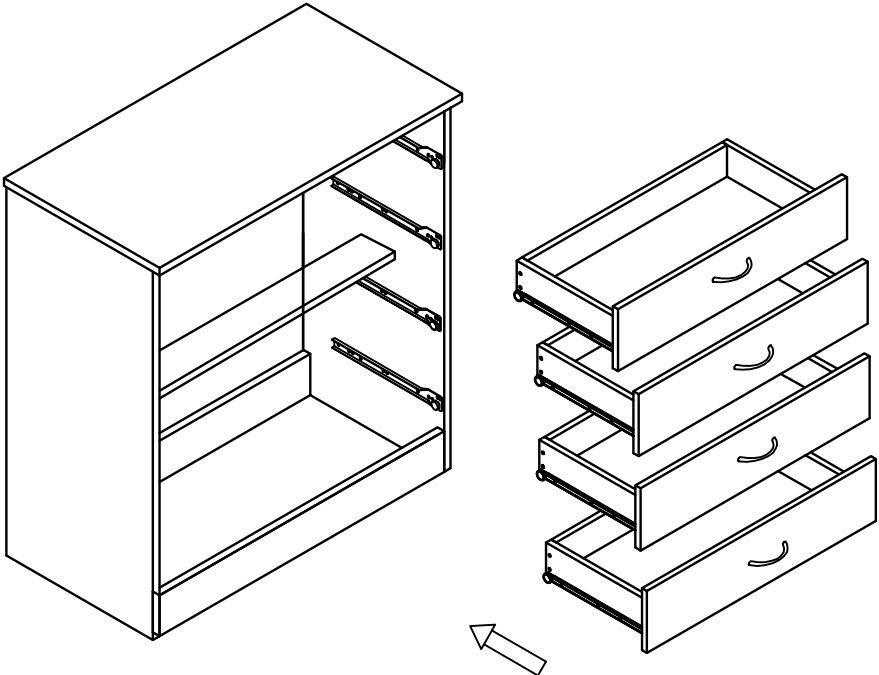


**A**  
4PCS  
M5 × 50

**B**  
4PCS  
B1  
B2

**C**  
2PCS  
M4 × 18

6



7

