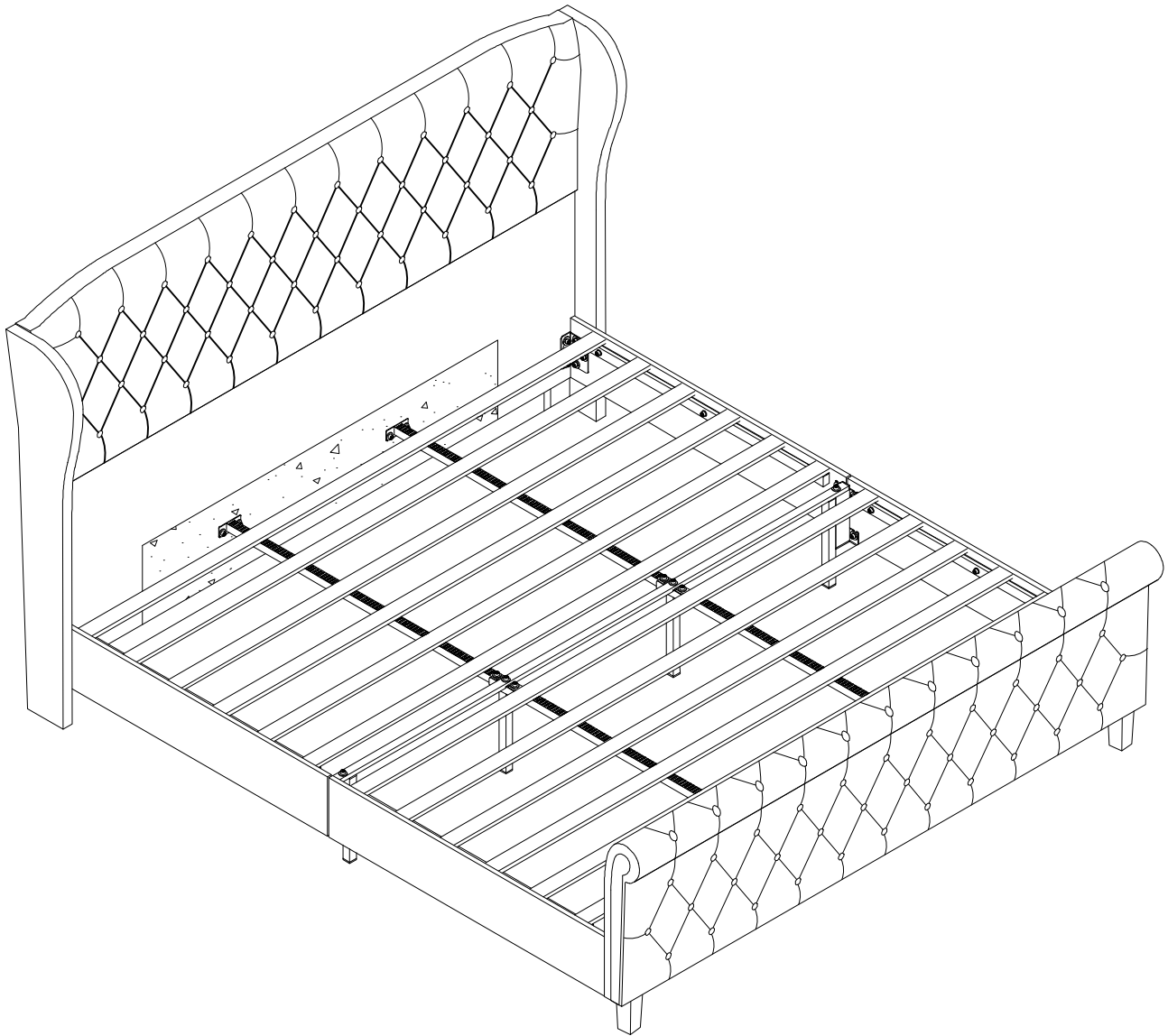


## Upholstered Platform Bed with Tufted Wingback Headboard

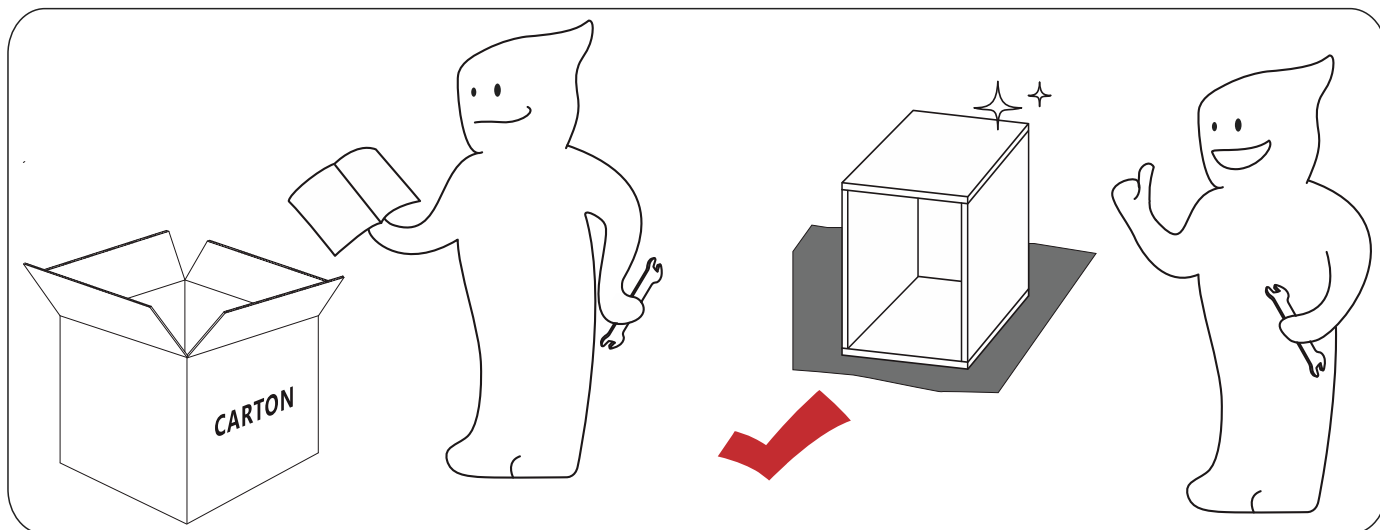
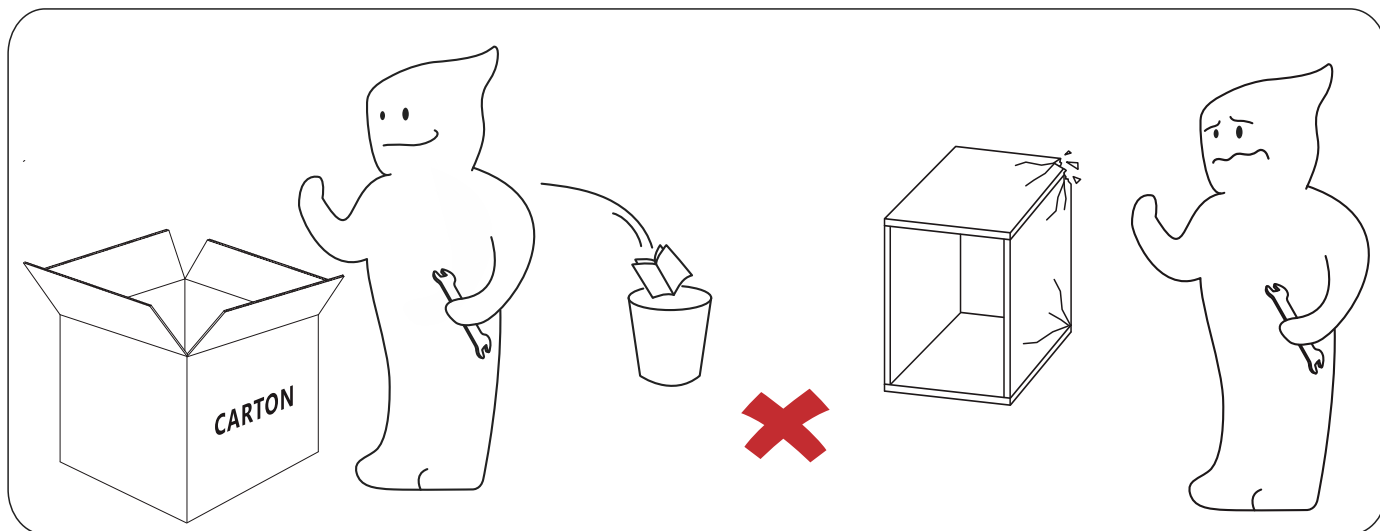


### **Friendly Customer Service**

Satisfaction Guarantees: Any problems with assembly, quality, or return, please feel free to contact us directly.

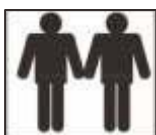
# ! IMPORTANT

Please follow the instruction manuals and use a pad to protect the product during your assembly.



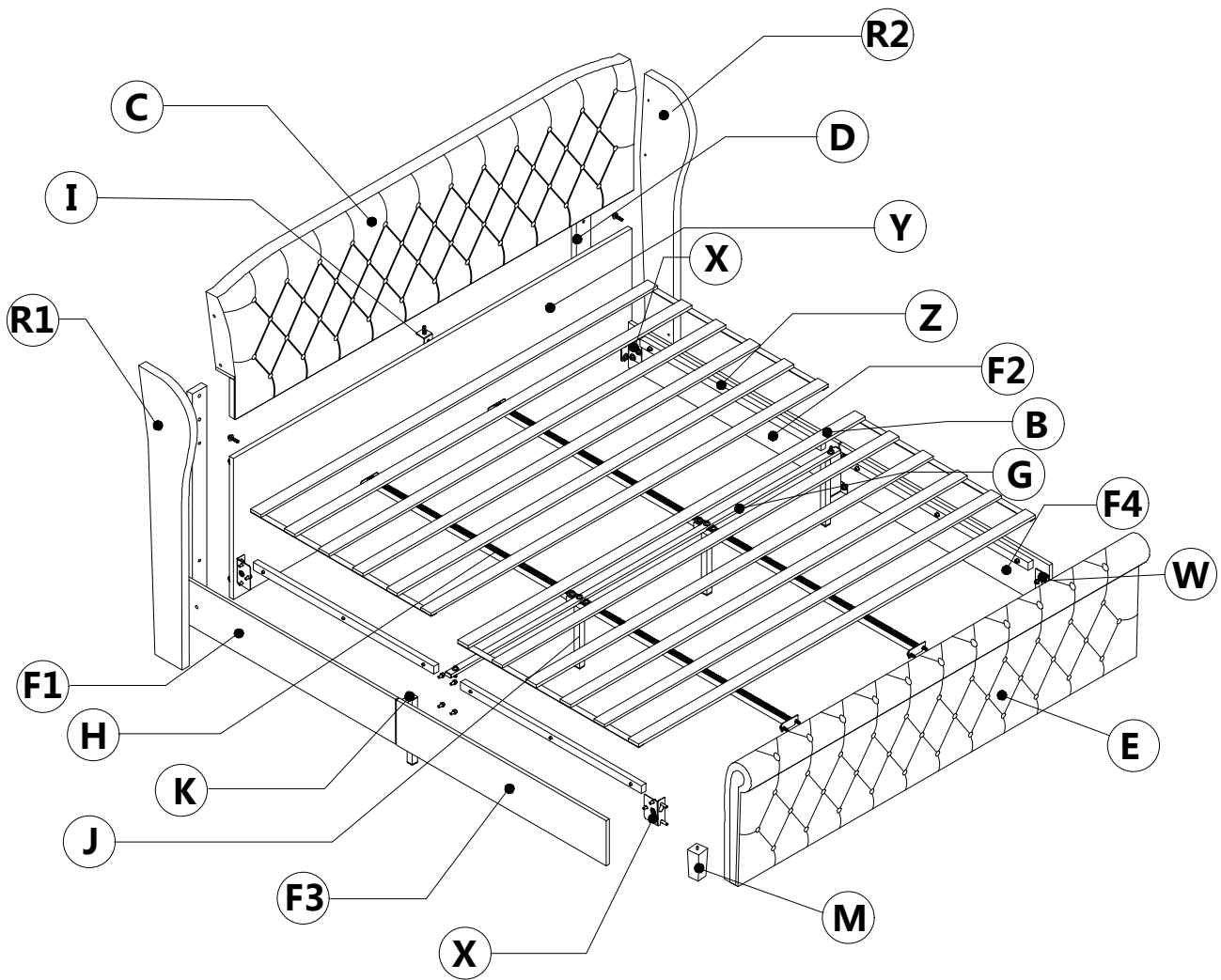
**Note:**

1. Should be assembled on flat ground to keep balance.
2. Before completing the installation, do not tighten the screws.

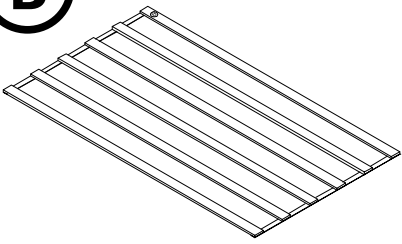
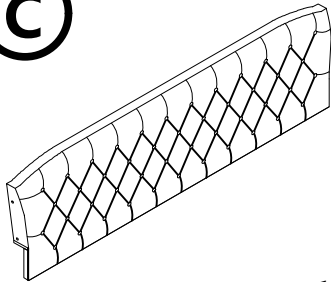
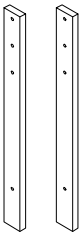
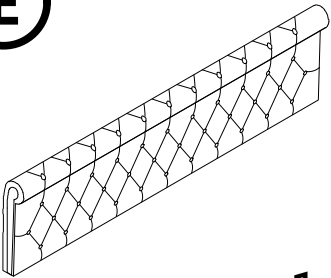
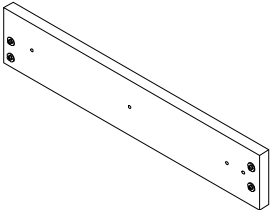
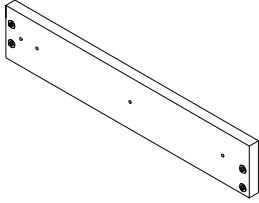
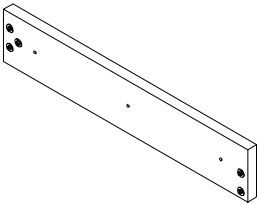
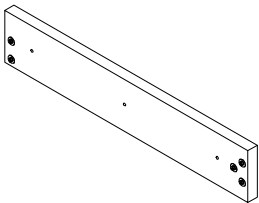
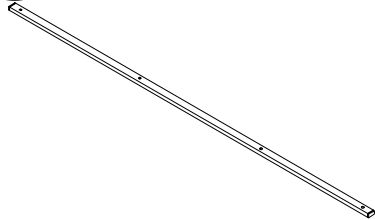
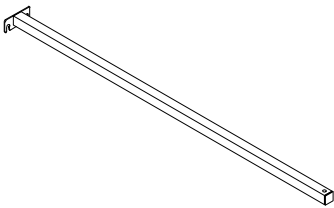


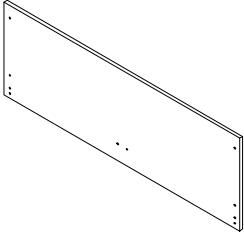
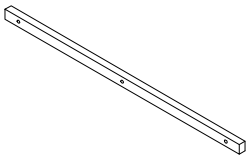


For easier and better assembly, **2** or more adults are required.

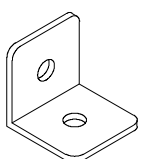
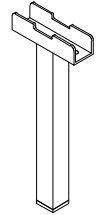
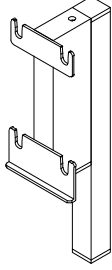
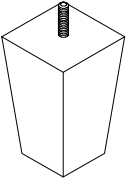
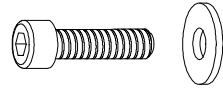
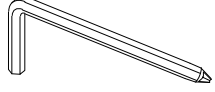
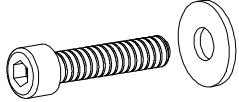
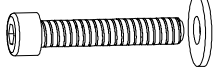
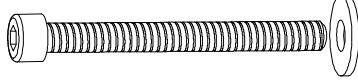
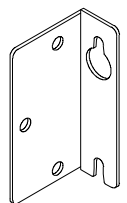
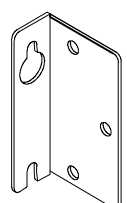
# ASSEMBLY INSTRUCTIONS



**BED FRAME PARTS LIST**

<p><b>(B)</b></p>  <p>2pcs</p>	<p><b>(C)</b></p>  <p>1pc</p>	<p><b>(D)</b></p>  <p>2pcs</p>
<p><b>(E)</b></p>  <p>1pc</p>	<p><b>(F1)</b></p>  <p>1pc</p>	<p><b>(F2)</b></p>  <p>1pc</p>
<p><b>(F3)</b></p>  <p>1pc</p>	<p><b>(F4)</b></p>  <p>1pc</p>	<p><b>(G)</b></p>  <p>1pc</p>
<p><b>(H)</b></p>  <p>4pcs</p>	<p><b>(R1)</b></p>  <p>1pc</p>	<p><b>(R2)</b></p>  <p>1pc</p>
<p><b>(Y)</b></p>  <p>1pc</p>	<p><b>(Z)</b></p>  <p>4pcs</p>	

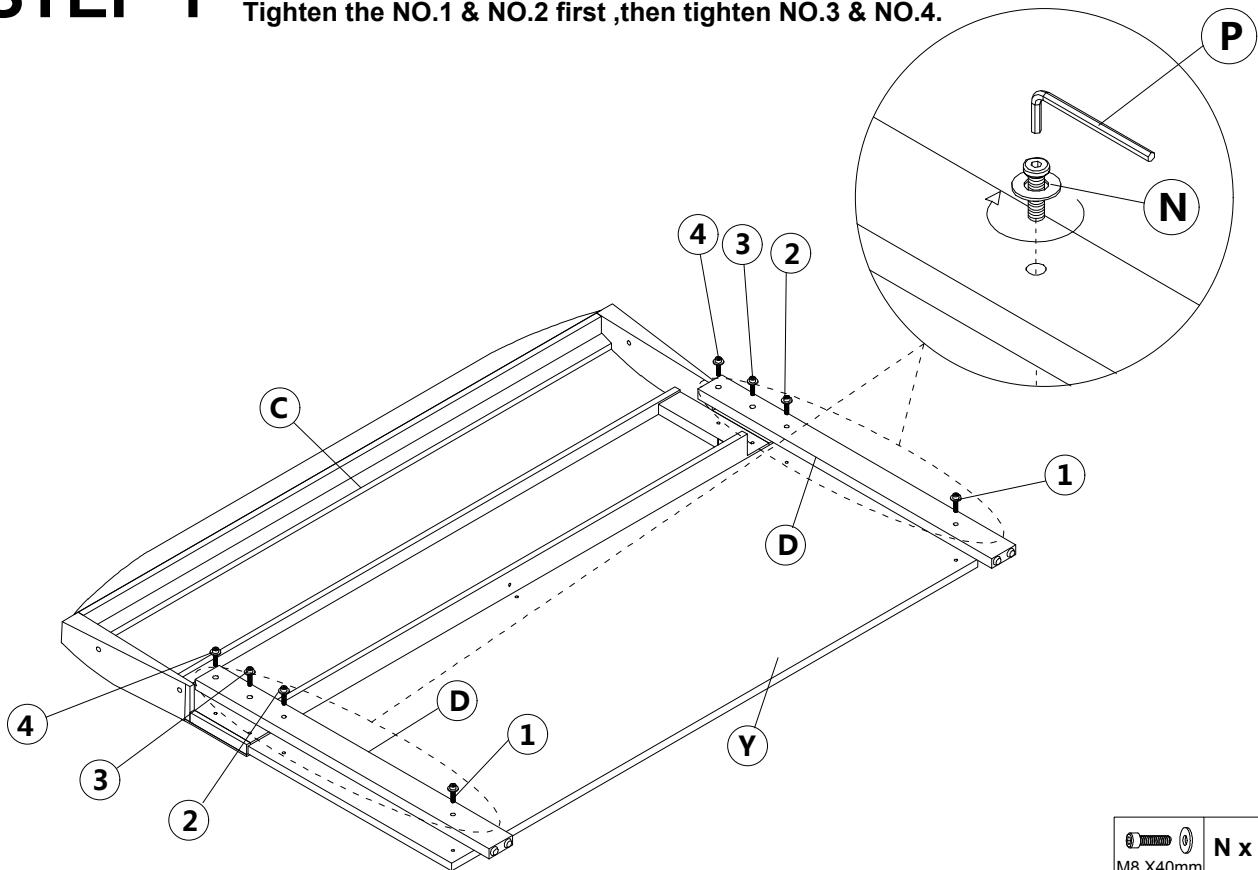
**FITTING PARTS LIST**

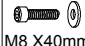

<p><b>I</b></p>  <p>1pc</p>	<p><b>J</b></p>  <p>2pcs</p>	<p><b>K</b></p>  <p>2pcs</p>
<p><b>M</b></p>  <p>2pcs</p>	<p><b>N</b></p>  <p>M8 X40mm 28pcs+1pc</p>	<p><b>P</b></p>  <p>M8 Spanner 1pc</p>
<p><b>Q</b></p>  <p>M8 X50mm 2pcs</p>	<p><b>Q1</b></p>  <p>M8 X45mm 2pcs</p>	<p><b>Q2</b></p>  <p>M8 X80mm 2pcs</p>
<p><b>W</b></p>  <p>2pcs</p>	<p><b>X</b></p>  <p>2pcs</p>	

# ASSEMBLY INSTRUCTIONS

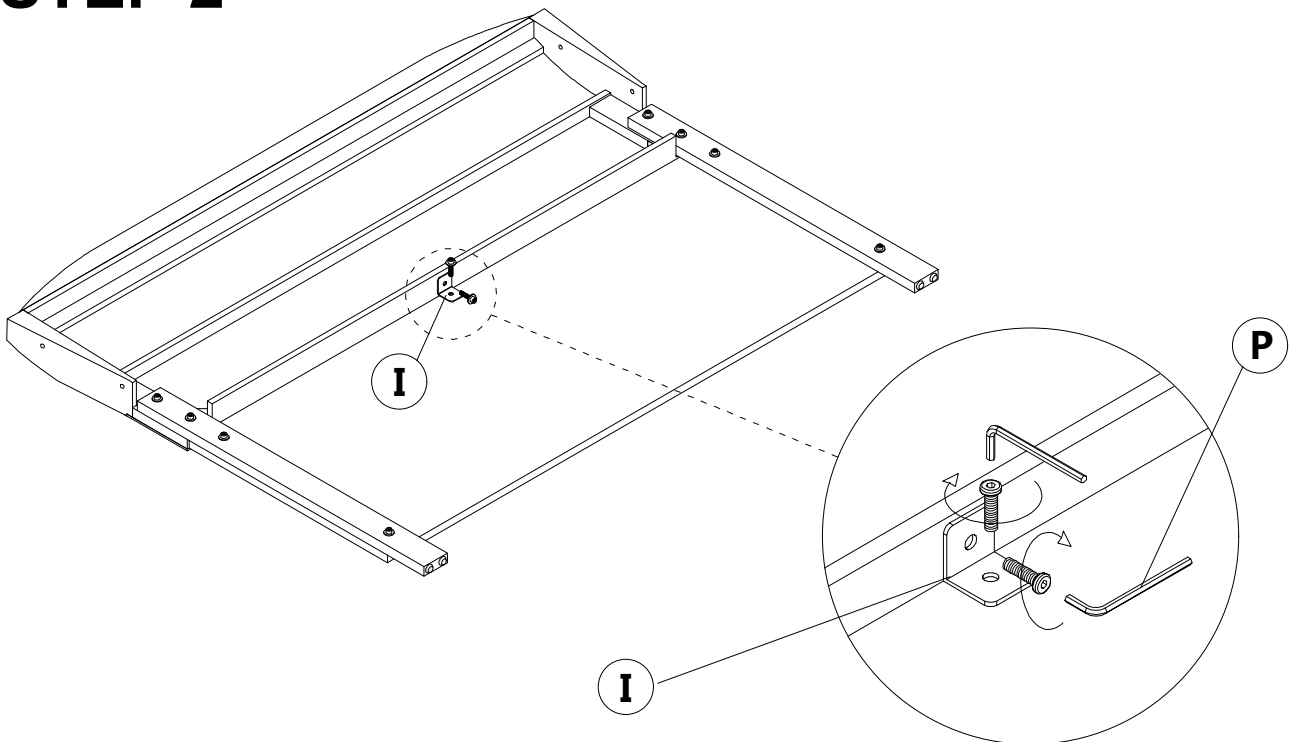
## STEP 1



Tighten the NO.1 & NO.2 first ,then tighten NO.3 & NO.4.



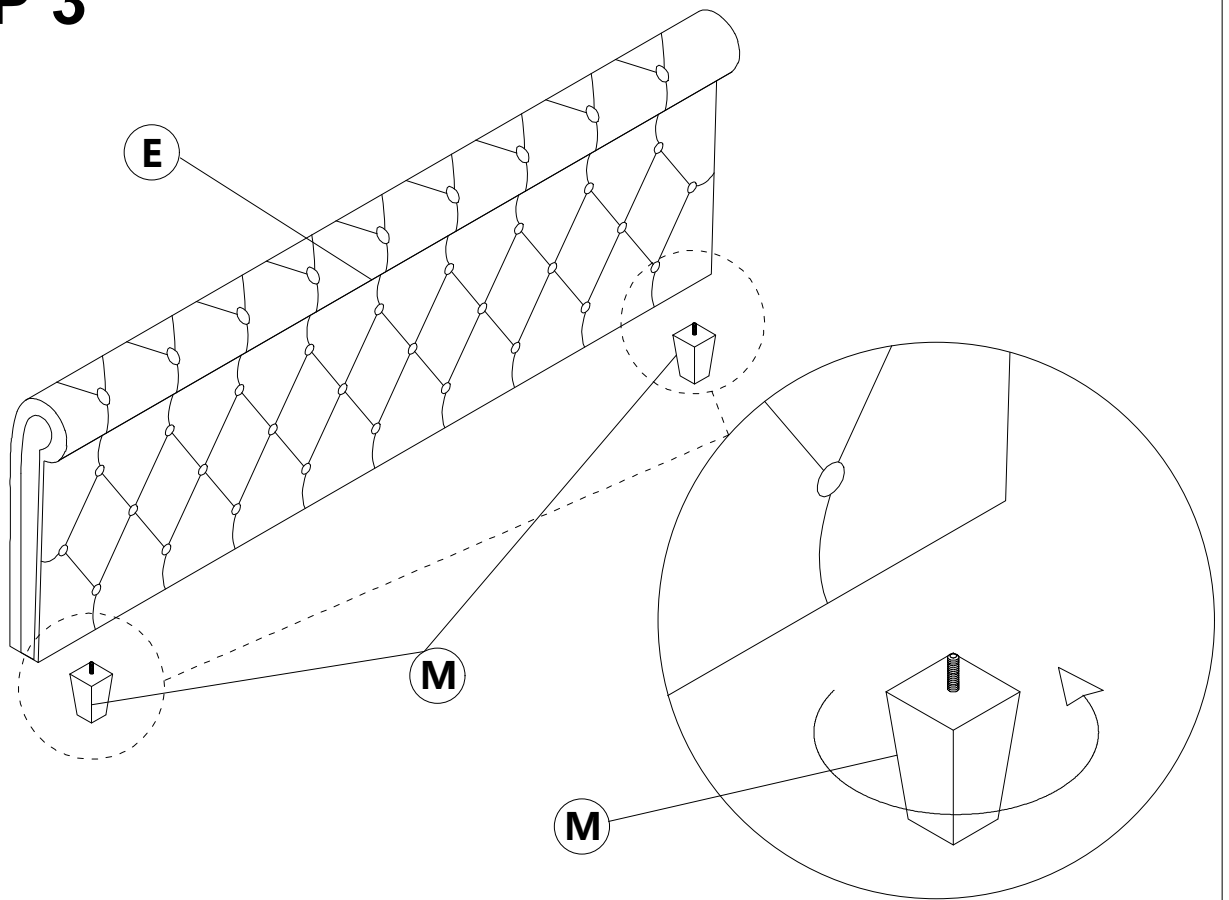
	N x 8pcs
M8 X40mm	
	P x 1pc

## STEP 2



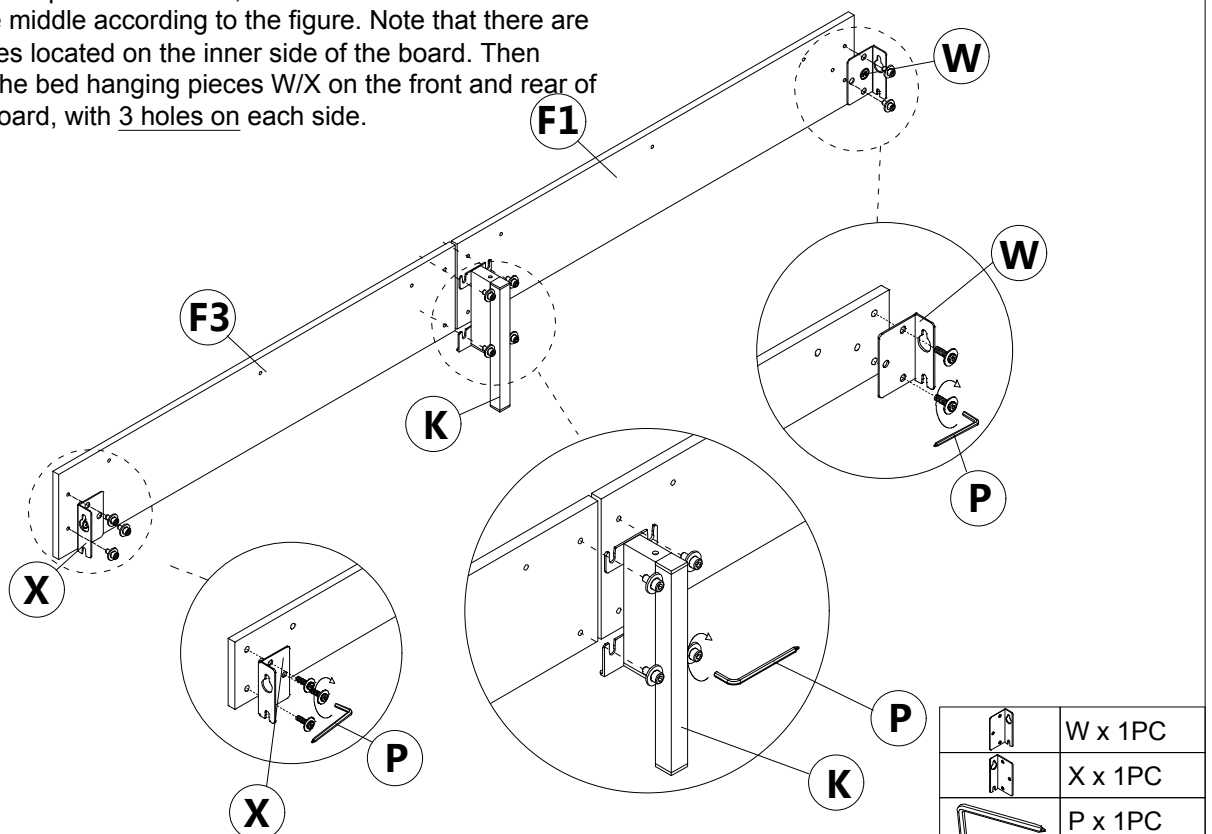
	I x 1pc
	P x 1pc

## STEP 3



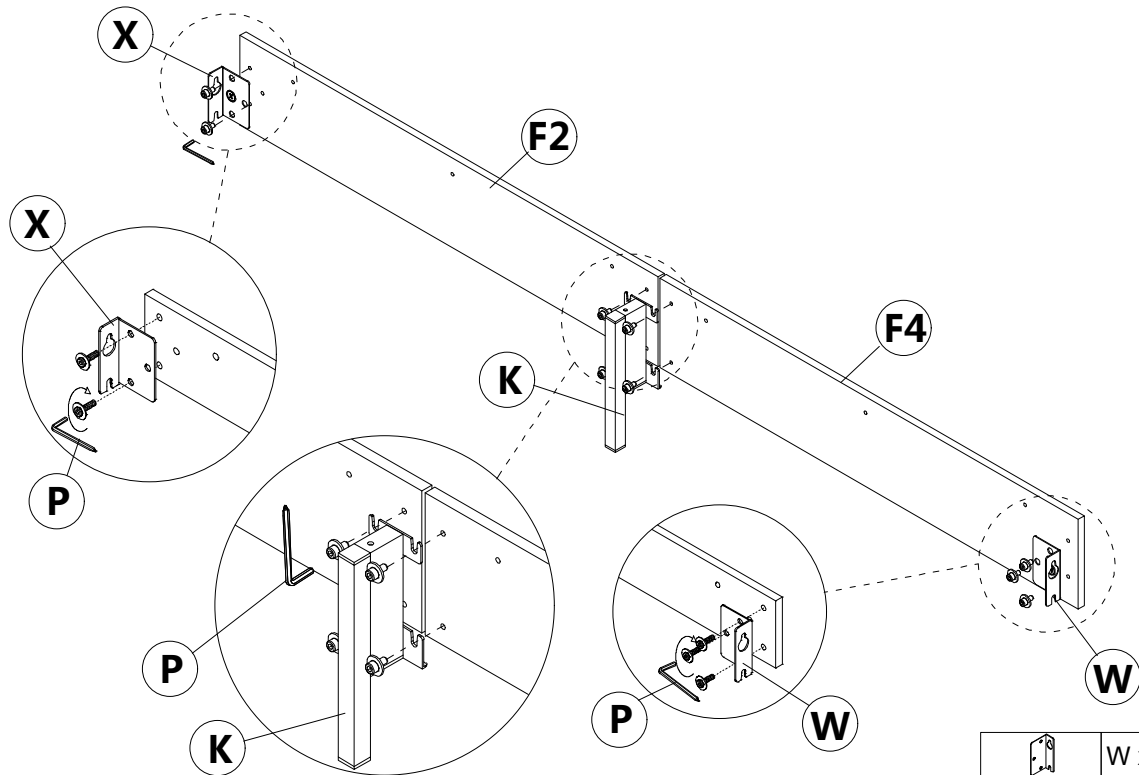
## STEP 4

Take out parts F1 and F3, and lock the iron frame foot K in the middle according to the figure. Note that there are 2 holes located on the inner side of the board. Then lock the bed hanging pieces W/X on the front and rear of the board, with 3 holes on each side.



## STEP 5

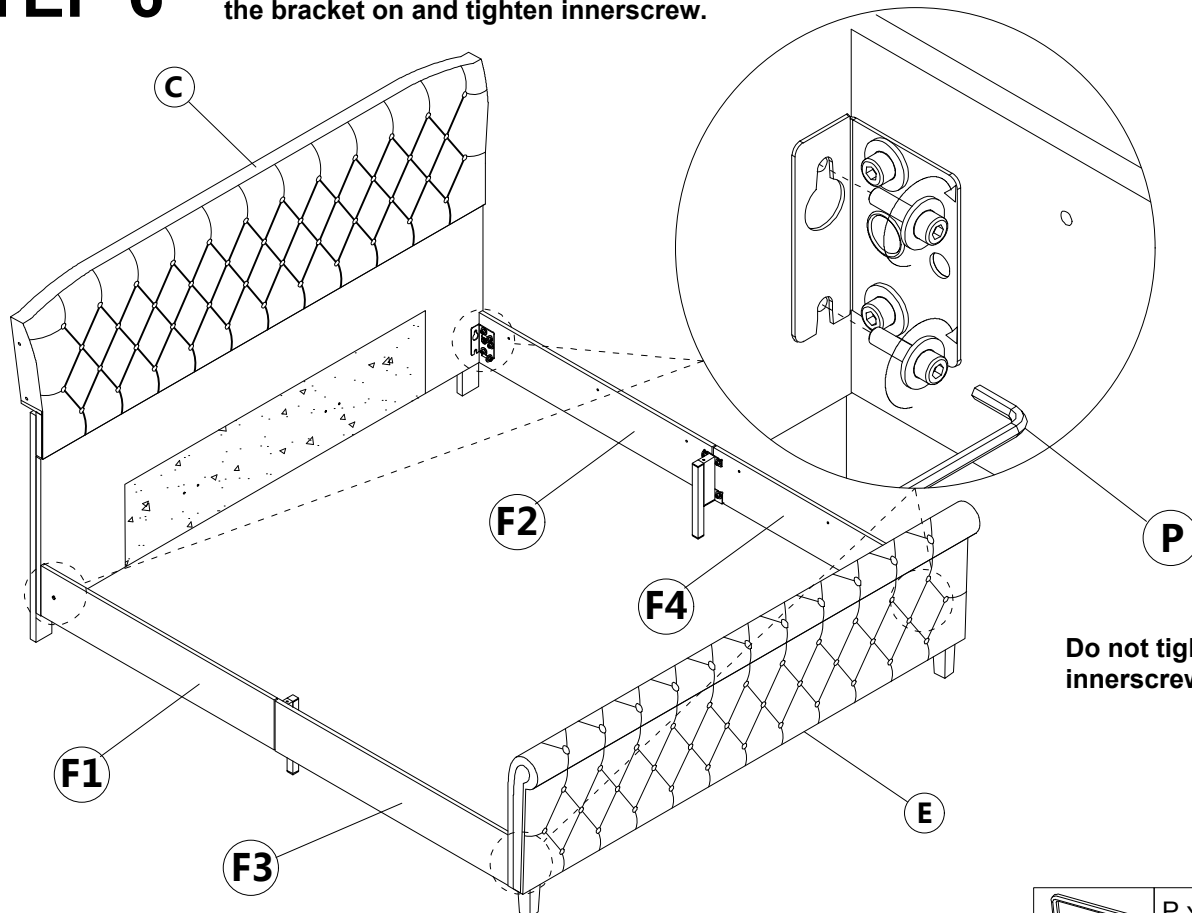
Same as Step 4



	W x 1PC
	X x 1PC
	P x 1PC

## STEP 6

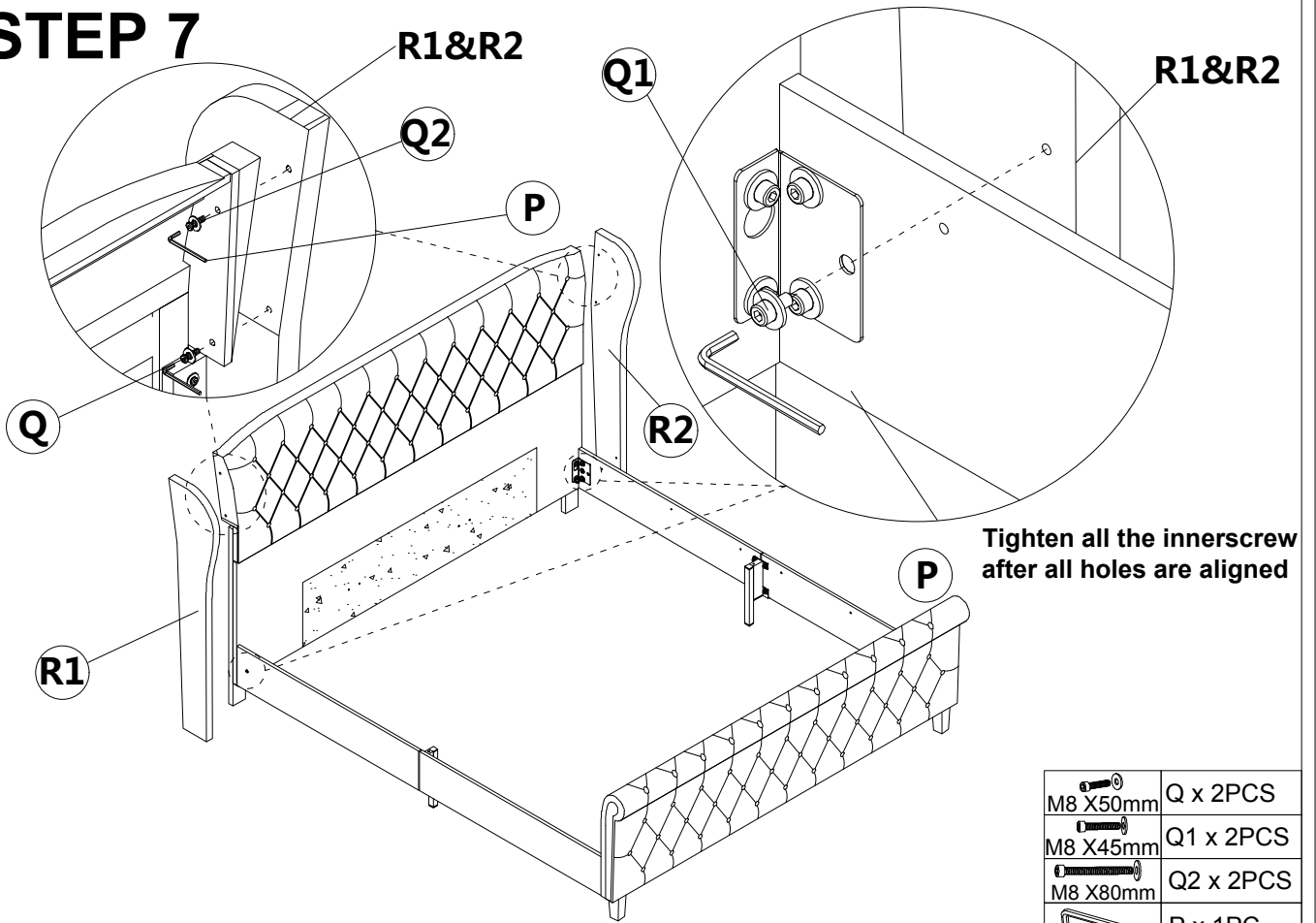
Loosen the screw of headboard side leg and both sides of footboard, then hang the bracket on and tighten innerscrew.


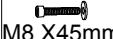
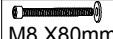



	P x 1PC
--	---------

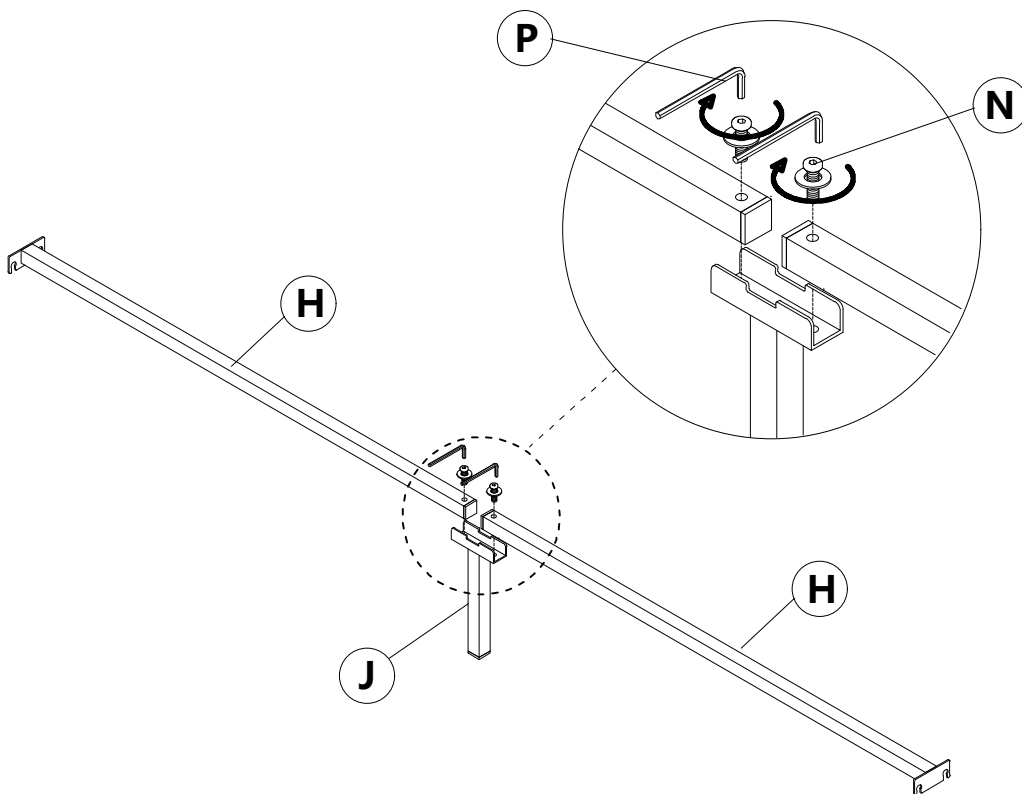
# ASSEMBLY INSTRUCTIONS

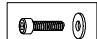
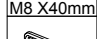
## STEP 7



 M8 X50mm	Q x 2PCS
 M8 X45mm	Q1 x 2PCS
 M8 X80mm	Q2 x 2PCS
	P x 1PC

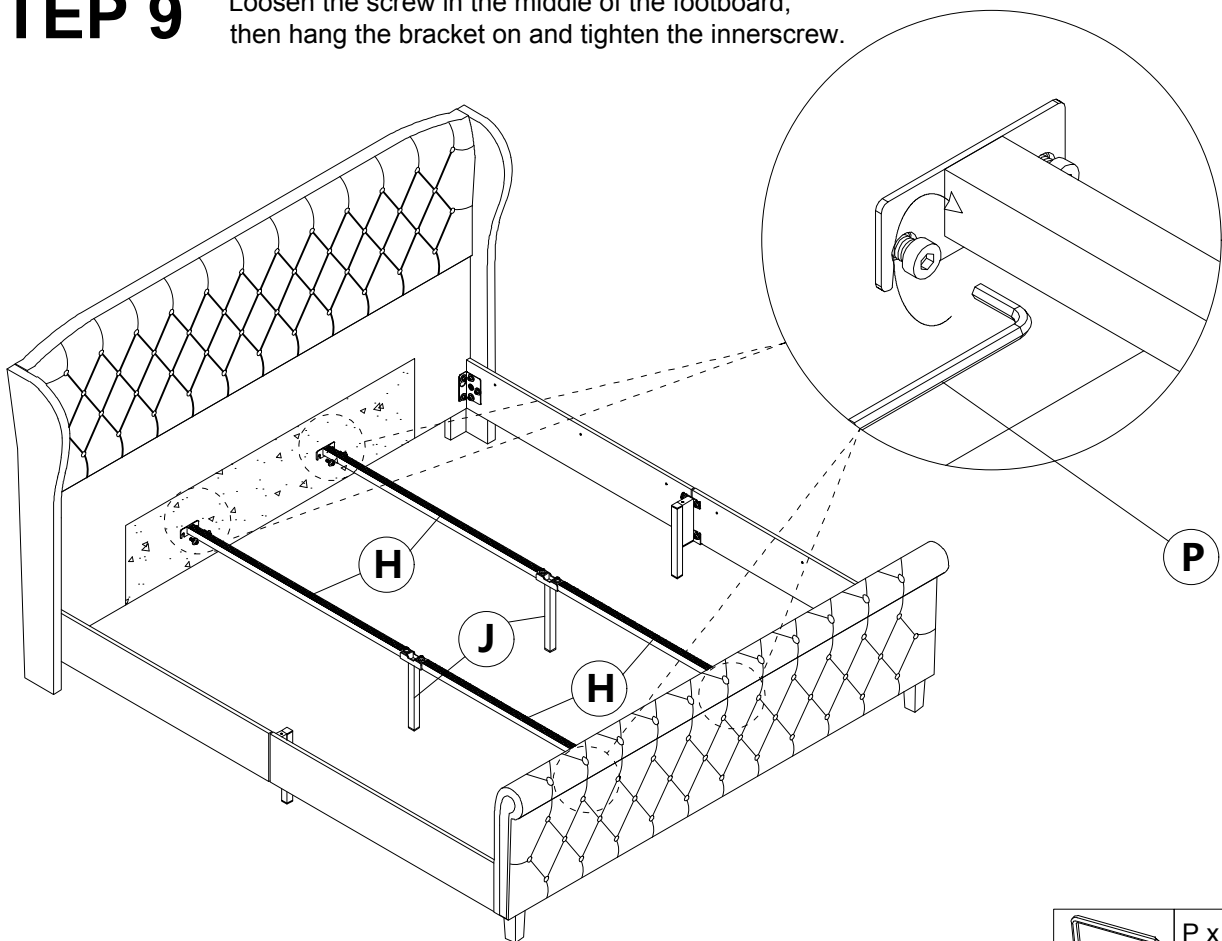
## STEP 8



 M8 X40mm	N x 2pcs
	P x 1pc

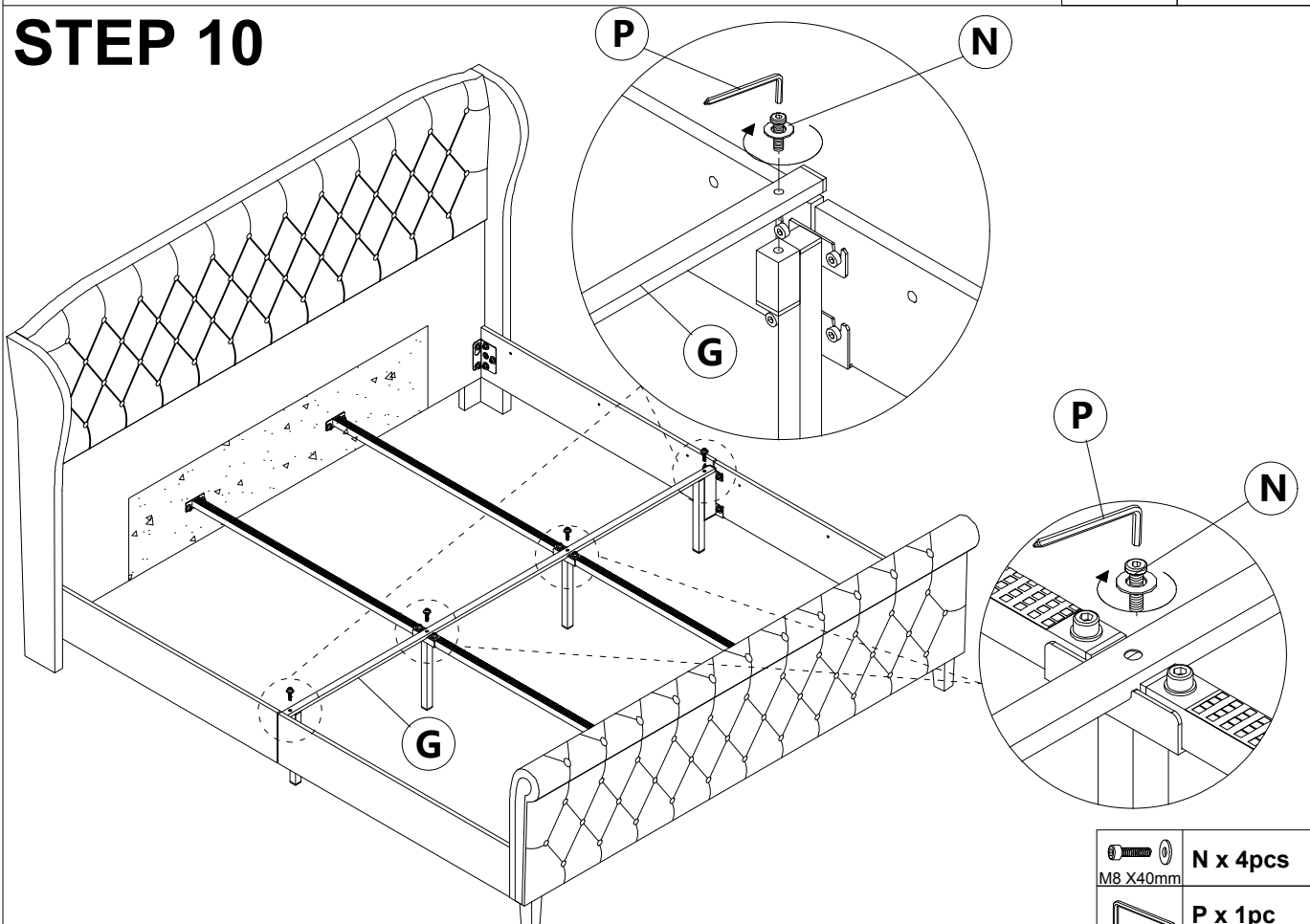
## STEP 9

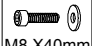
Loosen the screw in the middle of the footboard, then hang the bracket on and tighten the innerscrew.




 P x 1PC

## STEP 10

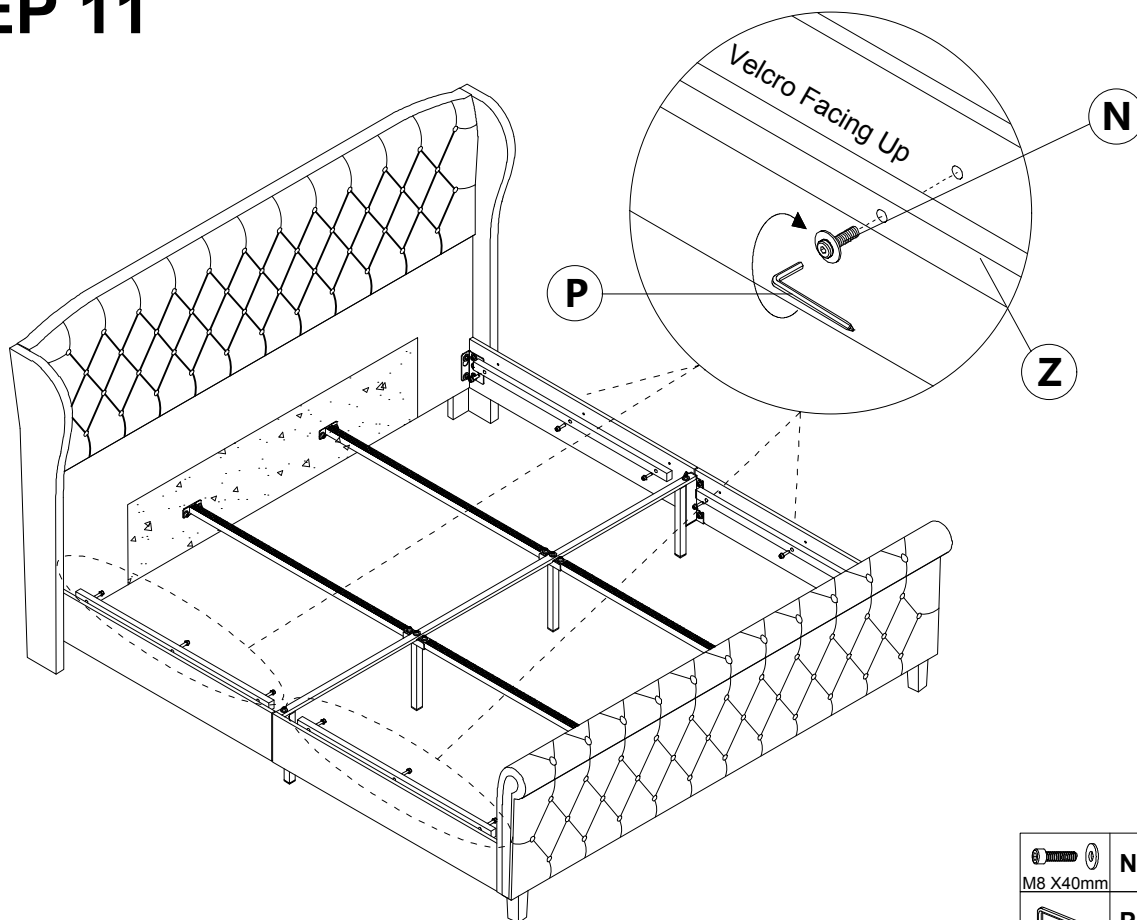


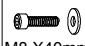

 N x 4pcs  
M8 X40mm

 P x 1pc

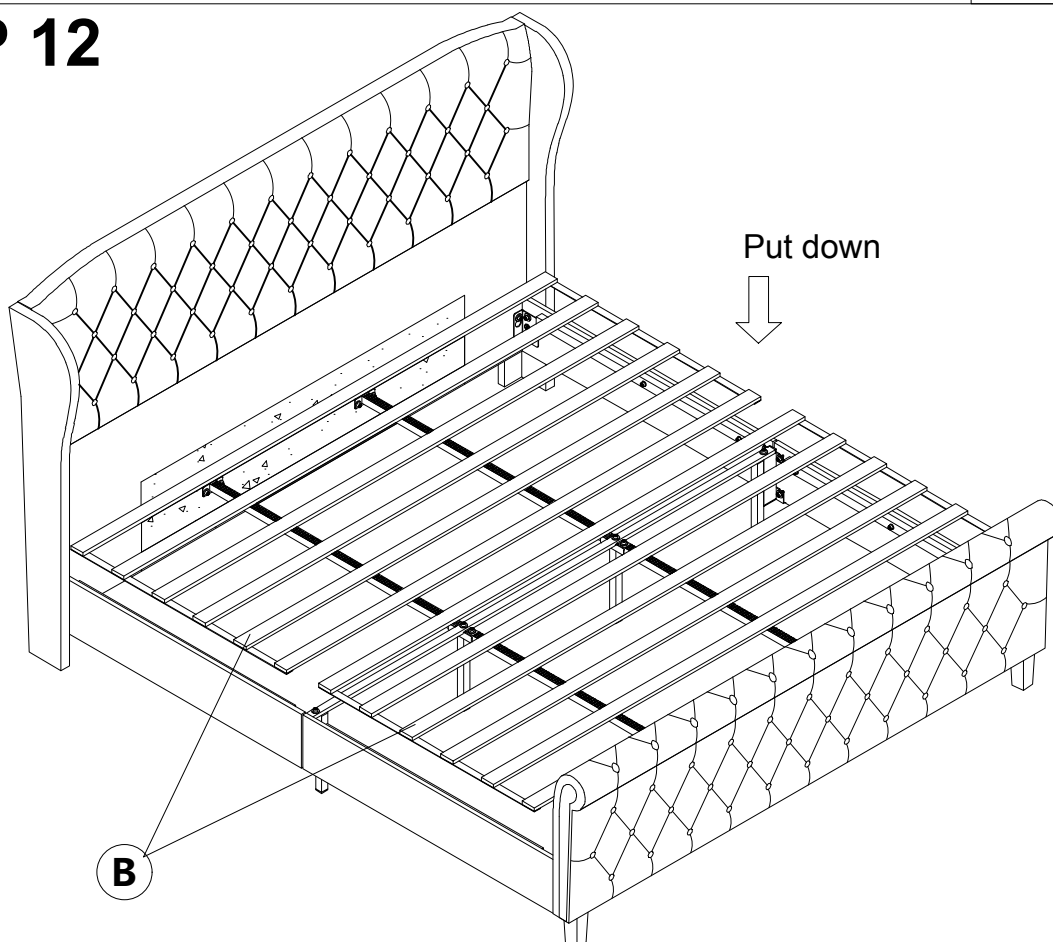
# ASSEMBLY INSTRUCTIONS

## STEP 11

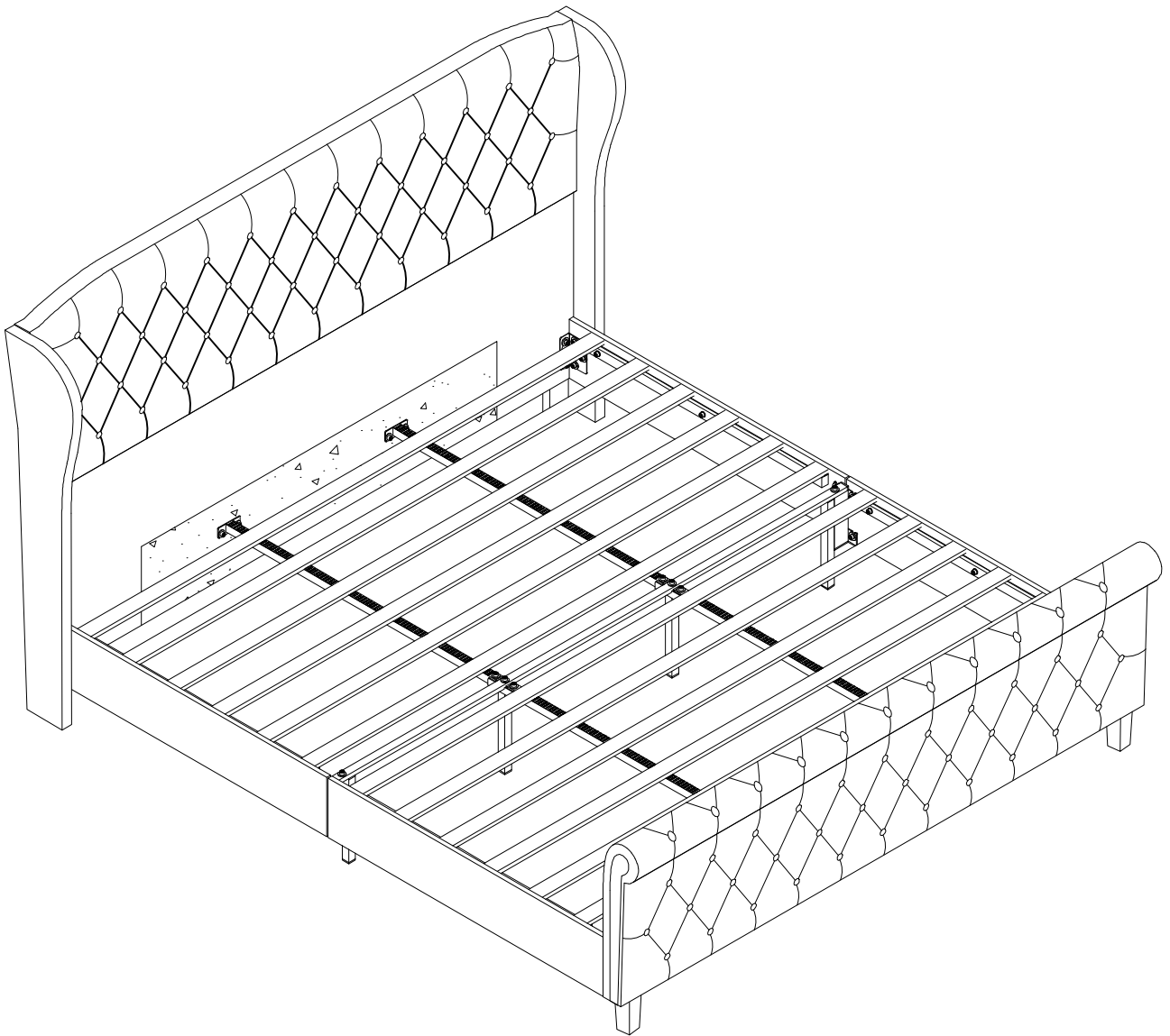


 M8 X40mm	N x 12pcs
	P x 1pc

## STEP 12



**STEP 13**



**Installation Complete**