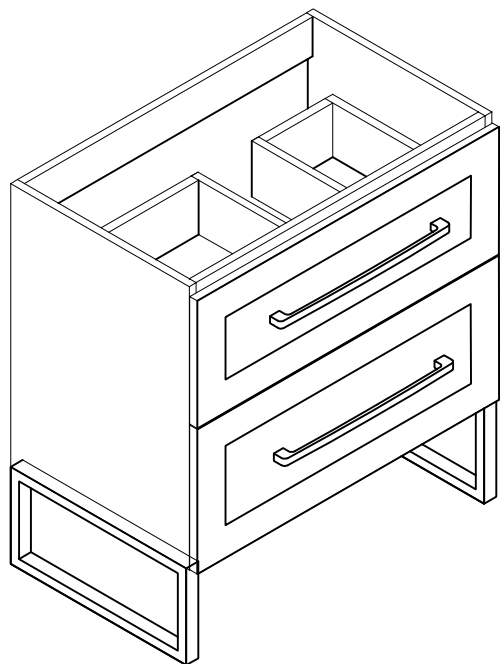


INSTALLATION MANUAL

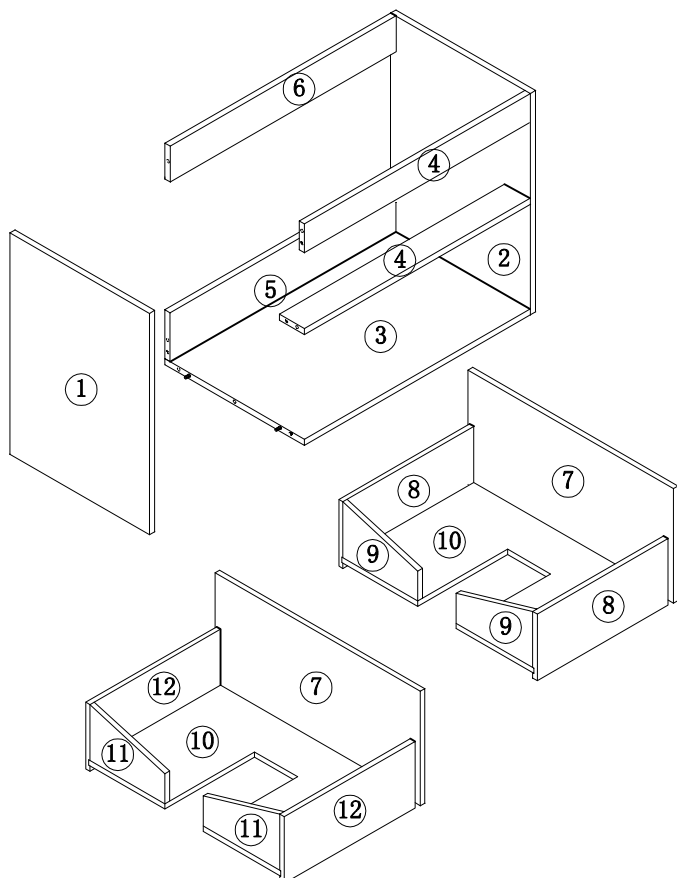
DIMENSIONS



PARTS LIST

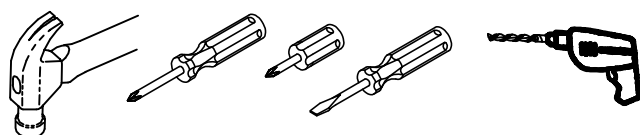
PARTS LIST			HARDWARE LIST		
NO	DESCRIPTION	QTY	NO	DESCRIPTION	QTY
①		1	A		44
②		1	B		44
③		1	C		44
④		2	D		22
⑤		1	E		4
⑥		1	F		50
⑦		2	G		4
⑧		2	H		2
⑨		2	I		2
⑩		2	J		2
⑪		2			
⑫		2			
⑬					
⑭					
⑮					
⑯					
⑰					

ASSEMBLY DIAGRAM



CAUTION: Please confirm the parts list before installation

YOU MAY NEED (NOT SUPPLIED)

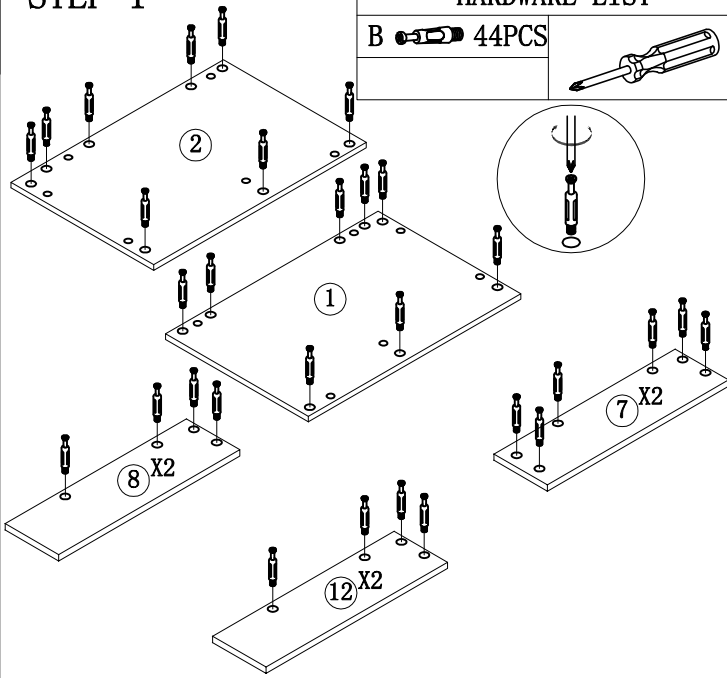
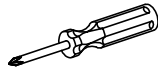


INSTALLATIONS

STEP 1

HARDWARE LIST

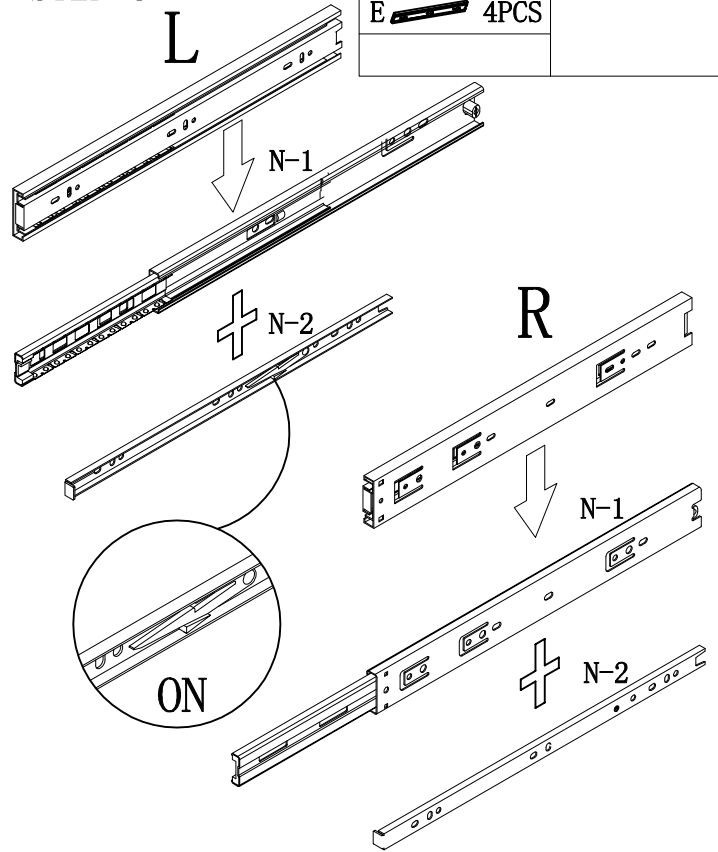
B  44PCS



STEP 3

HARDWARE LIST

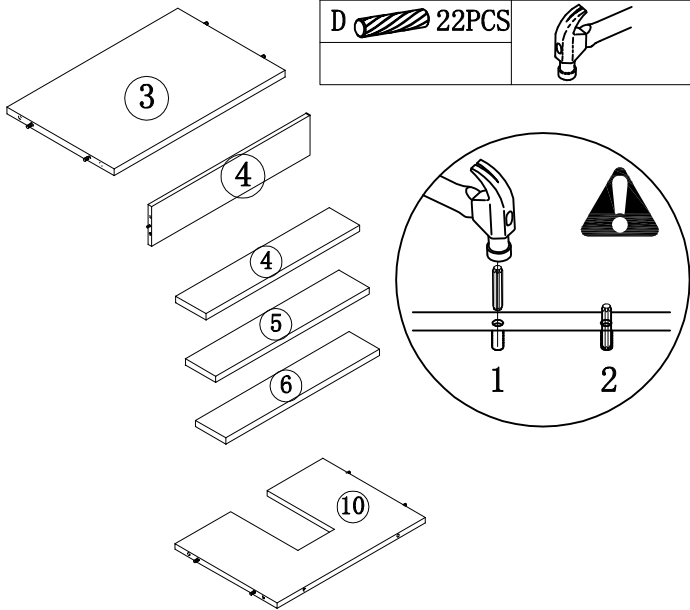
E  4PCS



STEP 2

HARDWARE LIST

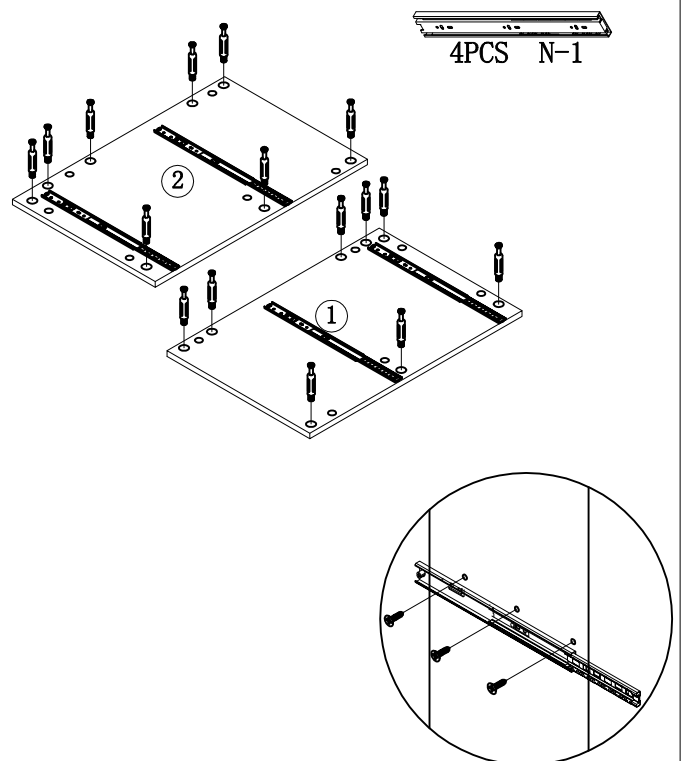
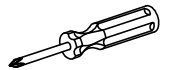
D  22PCS



STEP 4

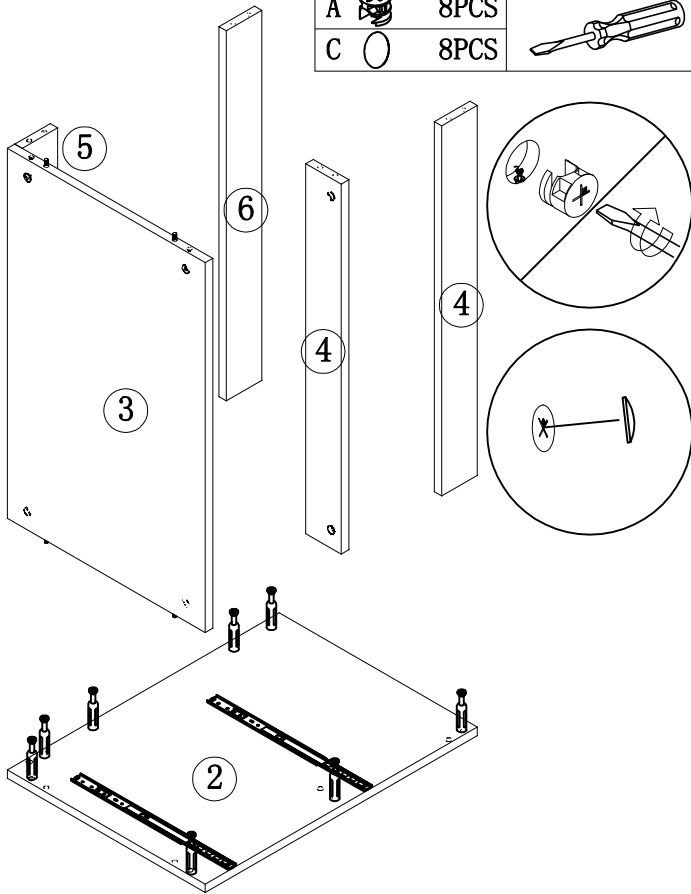
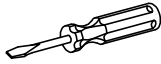
HARDWARE LIST

F  12PCS



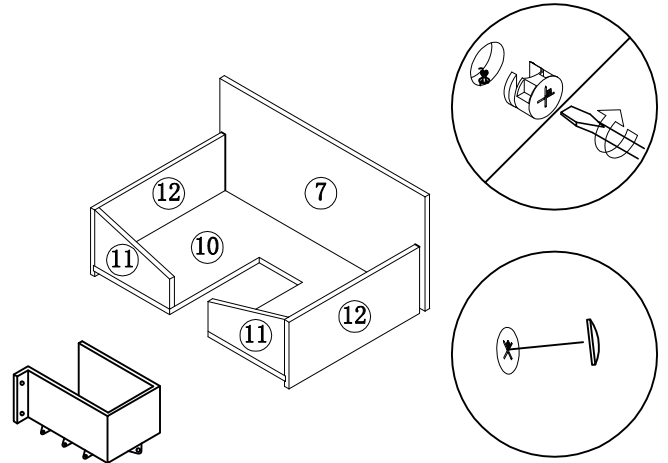
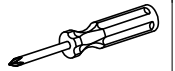
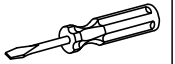
STEP 5

HARDWARE LIST	
A	8PCS
C	8PCS



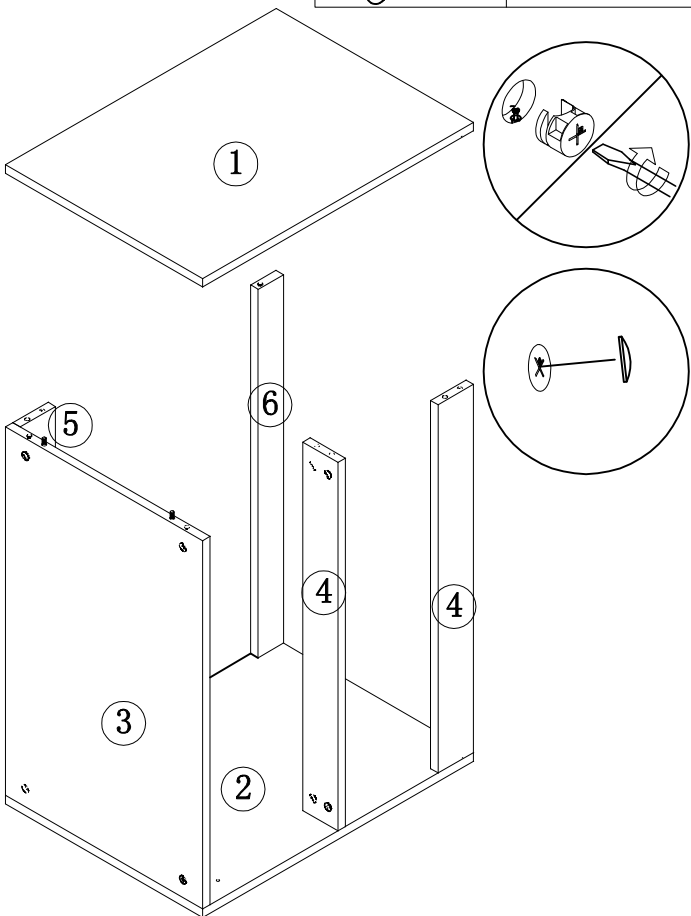
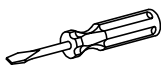
STEP 7

HARDWARE LIST	
A	14PCS
C	14PCS
I	1PCS
F	10PCS



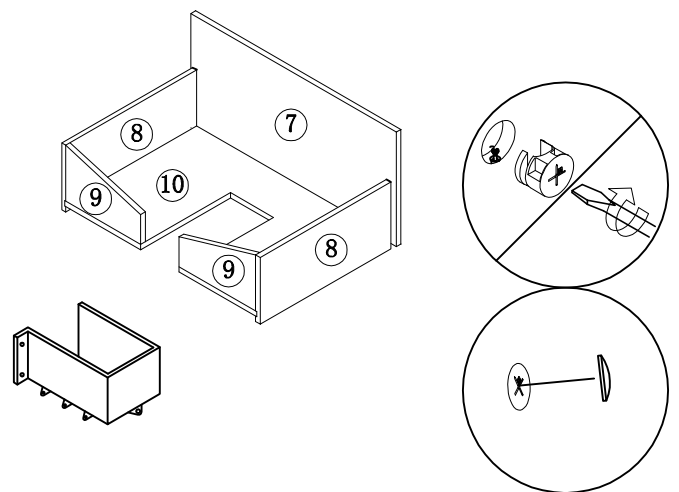
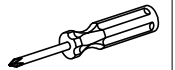
STEP 6

HARDWARE LIST	
A	8PCS
C	8PCS





STEP 8

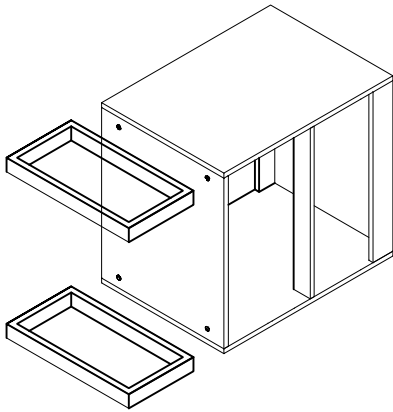
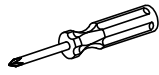
HARDWARE LIST	
A	14PCS
C	14PCS
I	1PCS
F	10PCS



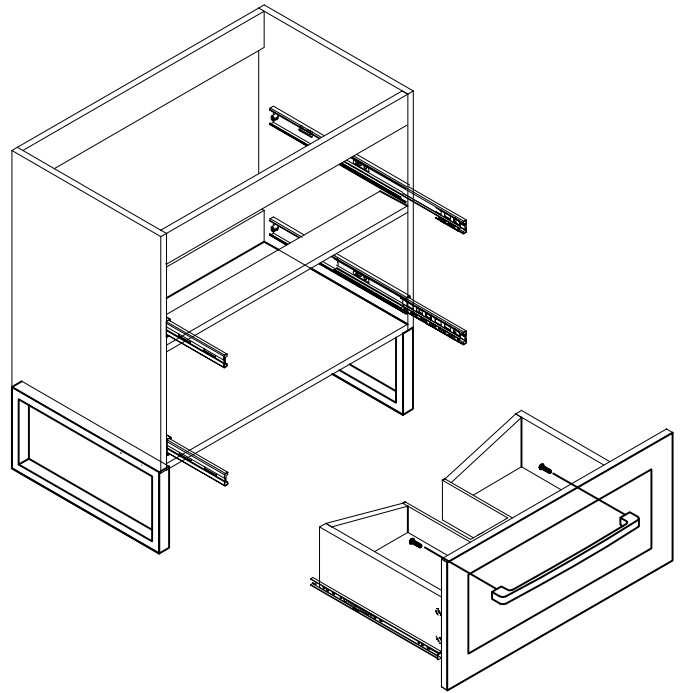
STEP 9

HARDWARE LIST

F		6PCS
J		2PCS






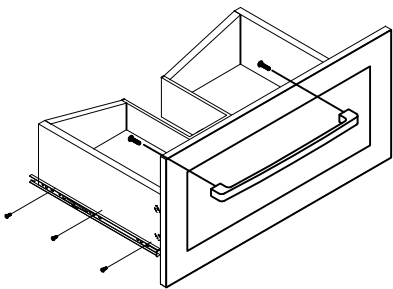
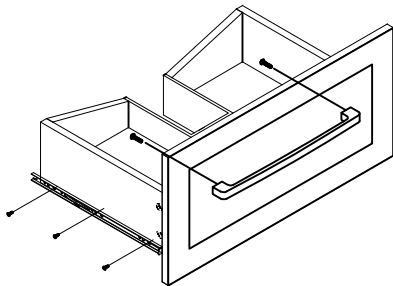
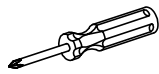
STEP 11



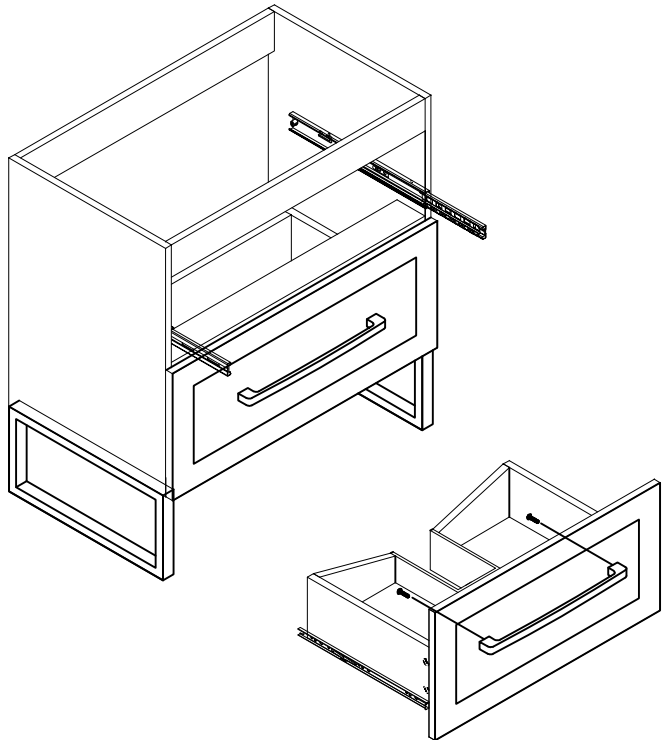
STEP 10

HARDWARE LIST

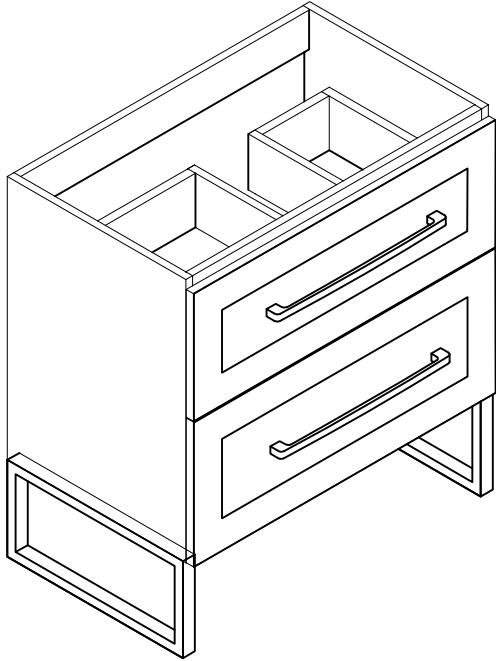
G		4PCS
H		2PCS
F		12PCS



STEP 12



STEP 13



Choking hazard-Small Parts : This unit contains small parts, not for children under 3 years.

Tip-over hazard : Secure finished unit to wall stud using L-Bracket and wall screw (#10*1.5"W/out provided). If a wall stud is

not neccessible ,Consault your local hardware store for appropriate mounting hardware . Failure to properly install will result in product collapse or tip-over. Serious injury can occur .