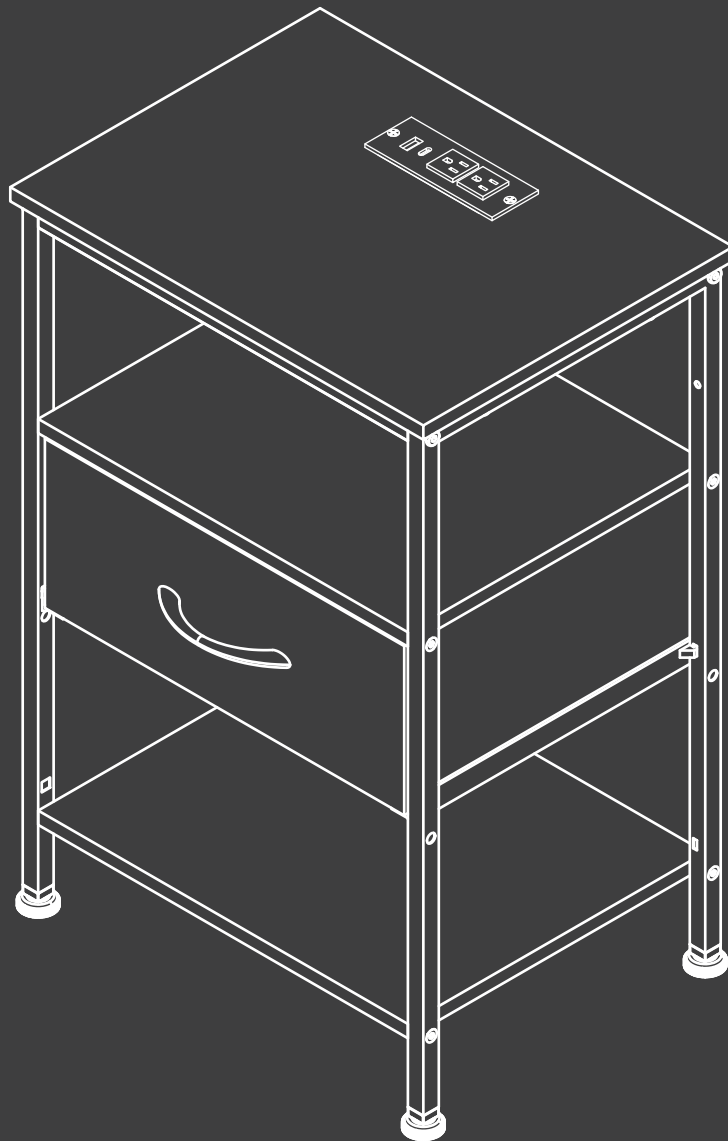


# Charging Nightstand

## Instruction Manual



# PARTS LIST

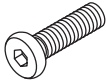
---

**A** x2



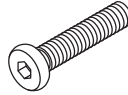
**M4x11**

**B** x4



**M6x23**

**C** x4

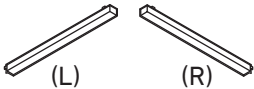


**M6x30**

**D** x4



**E** x1



**F** x8



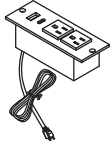
**M6x40**

**G** x1



**M4x12**

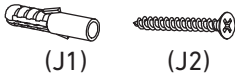
**H** x1



**I** x1

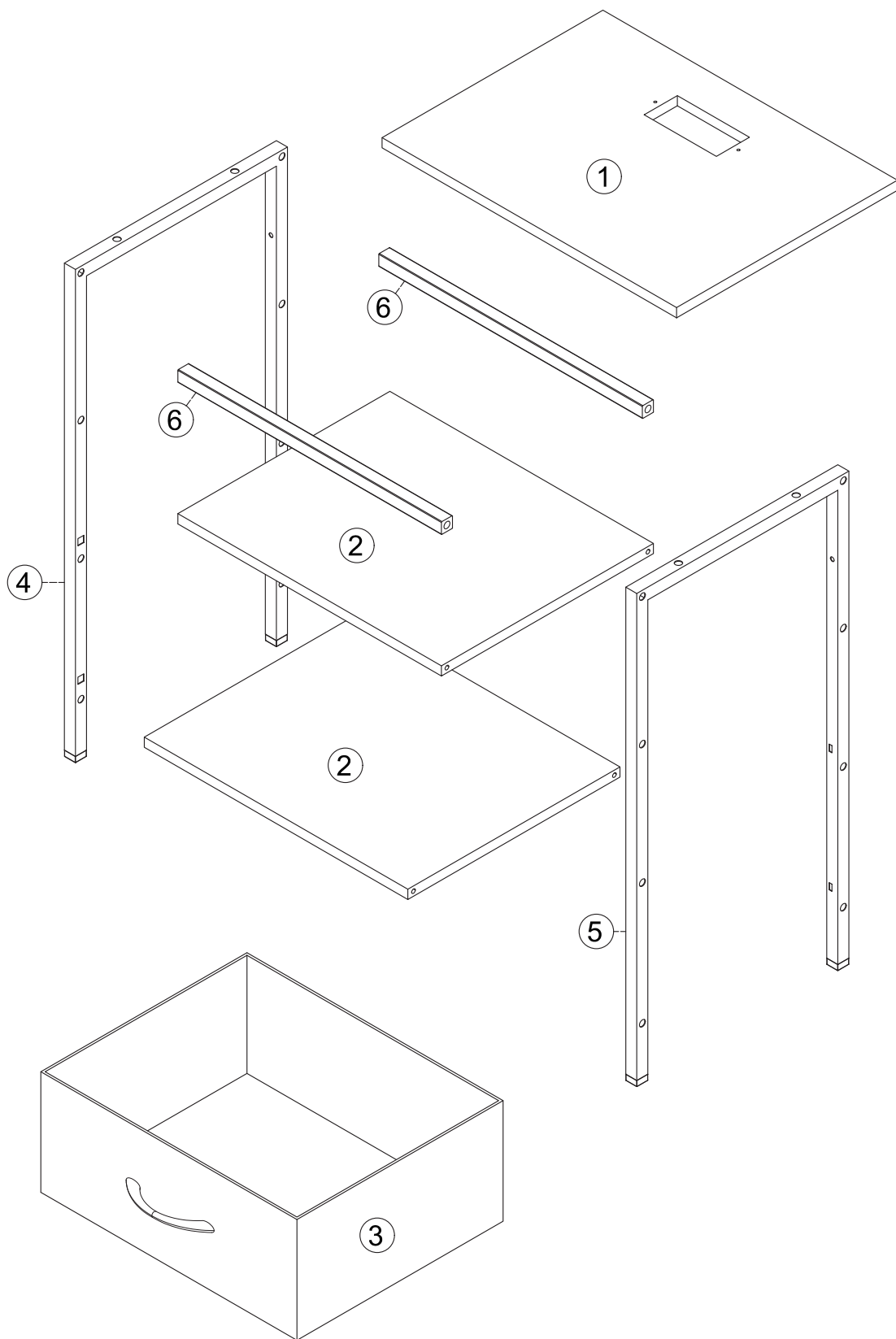


**J** x2

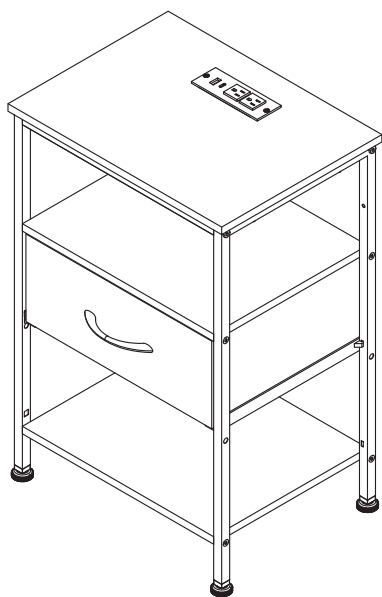


(J1)

(J2)

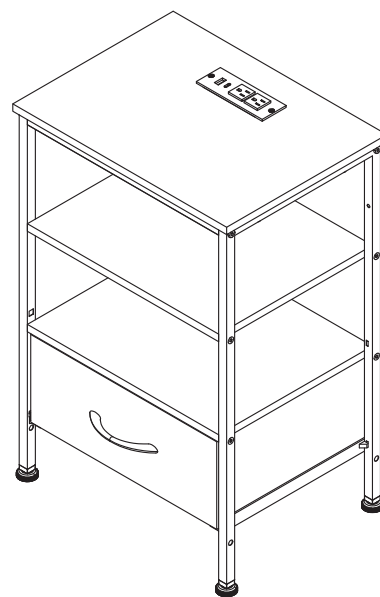


# A1~A6



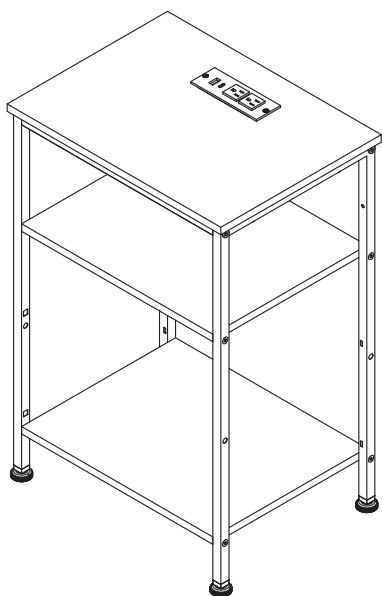
**A**

# B1~B6



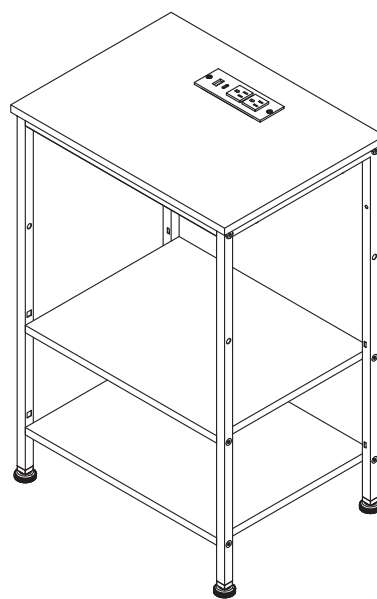
**B**

# C1~C4



**C**

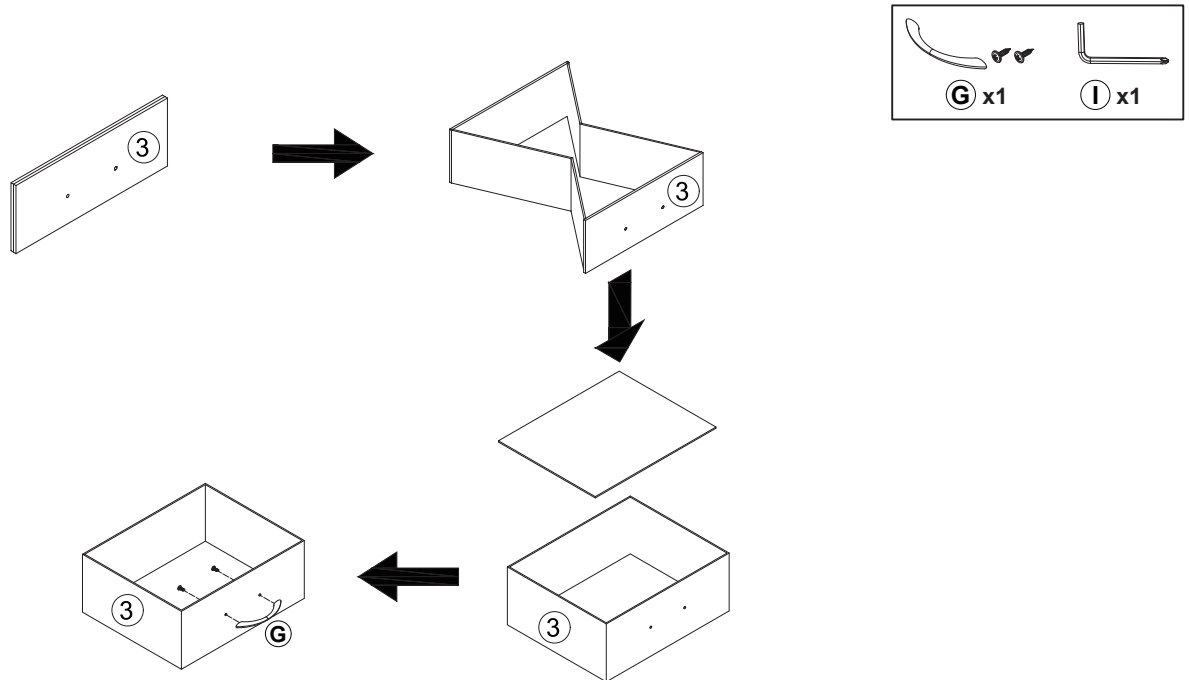
# D1~D4



**D**

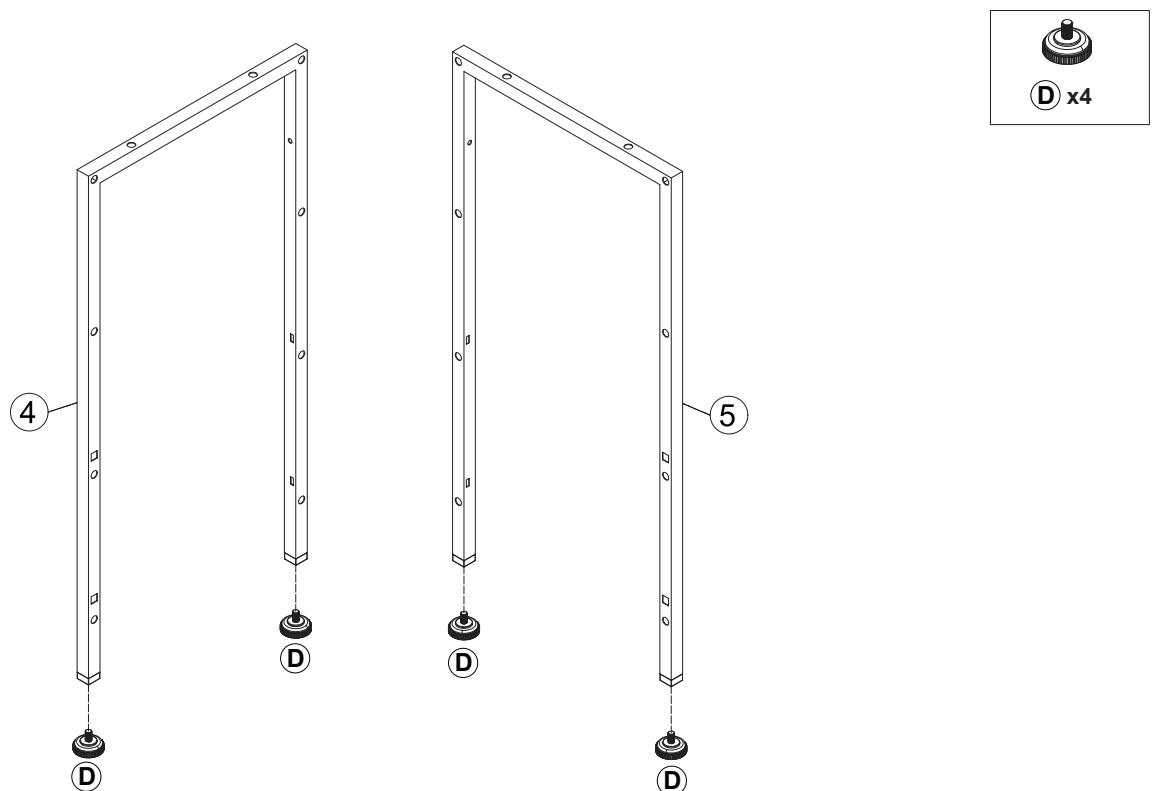
# ASSEMBLY INSTRUCTION

## Step 1

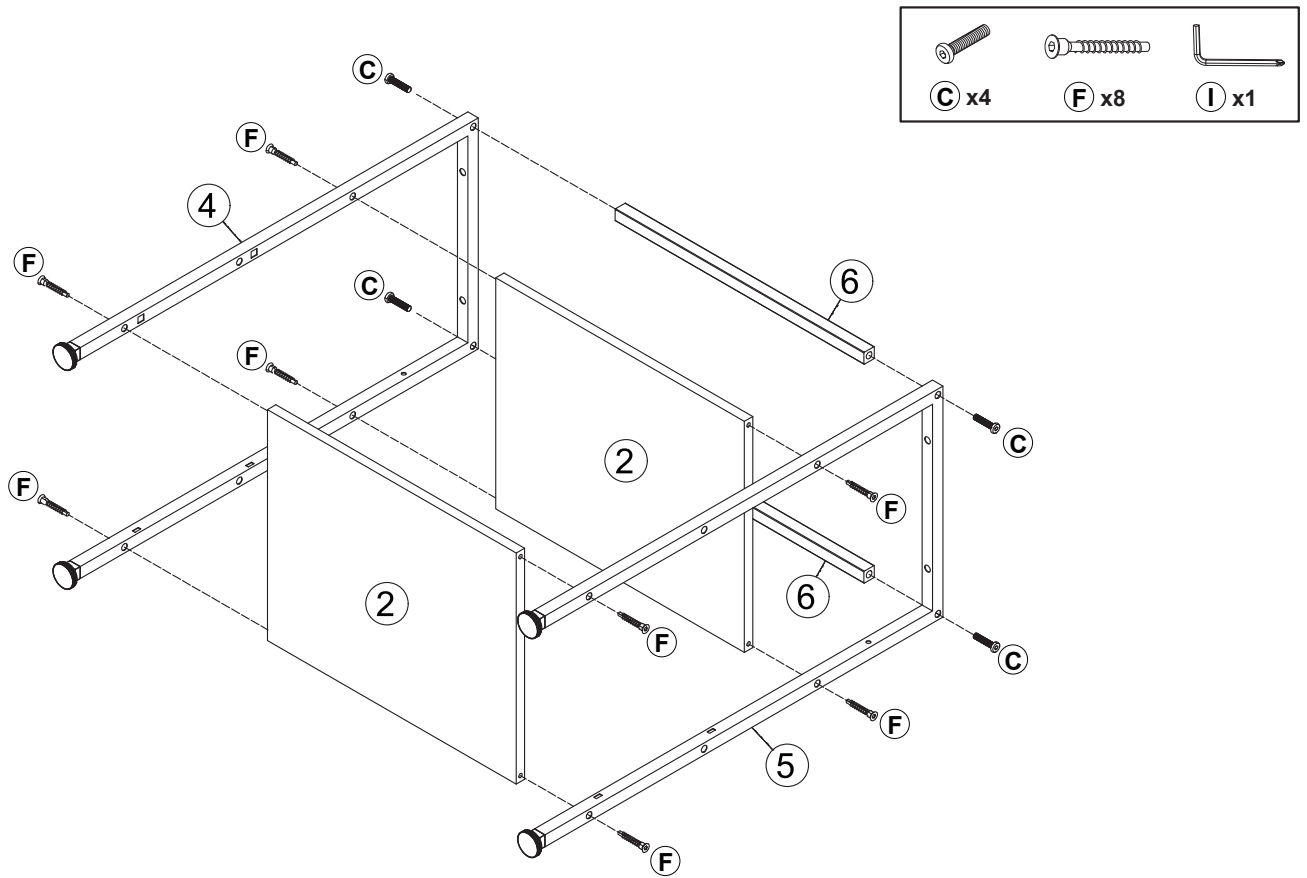


NOTE: When installing A or B, follow the above steps.

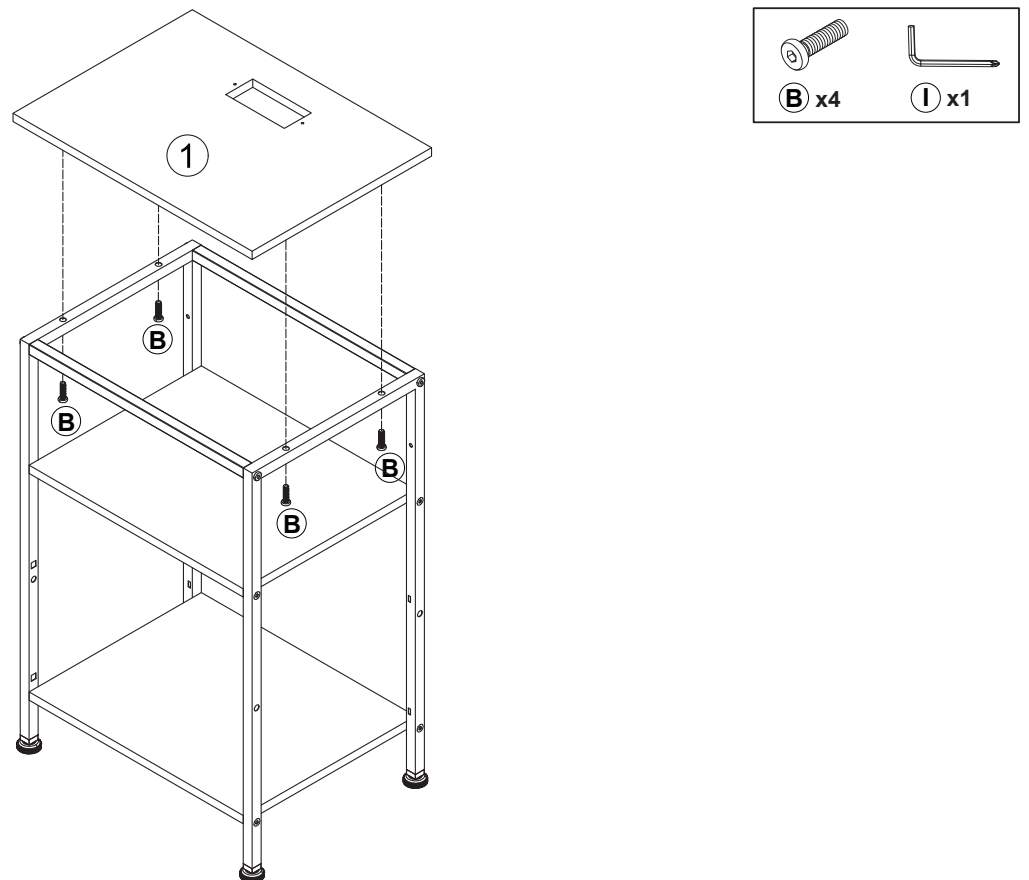
## Step 2



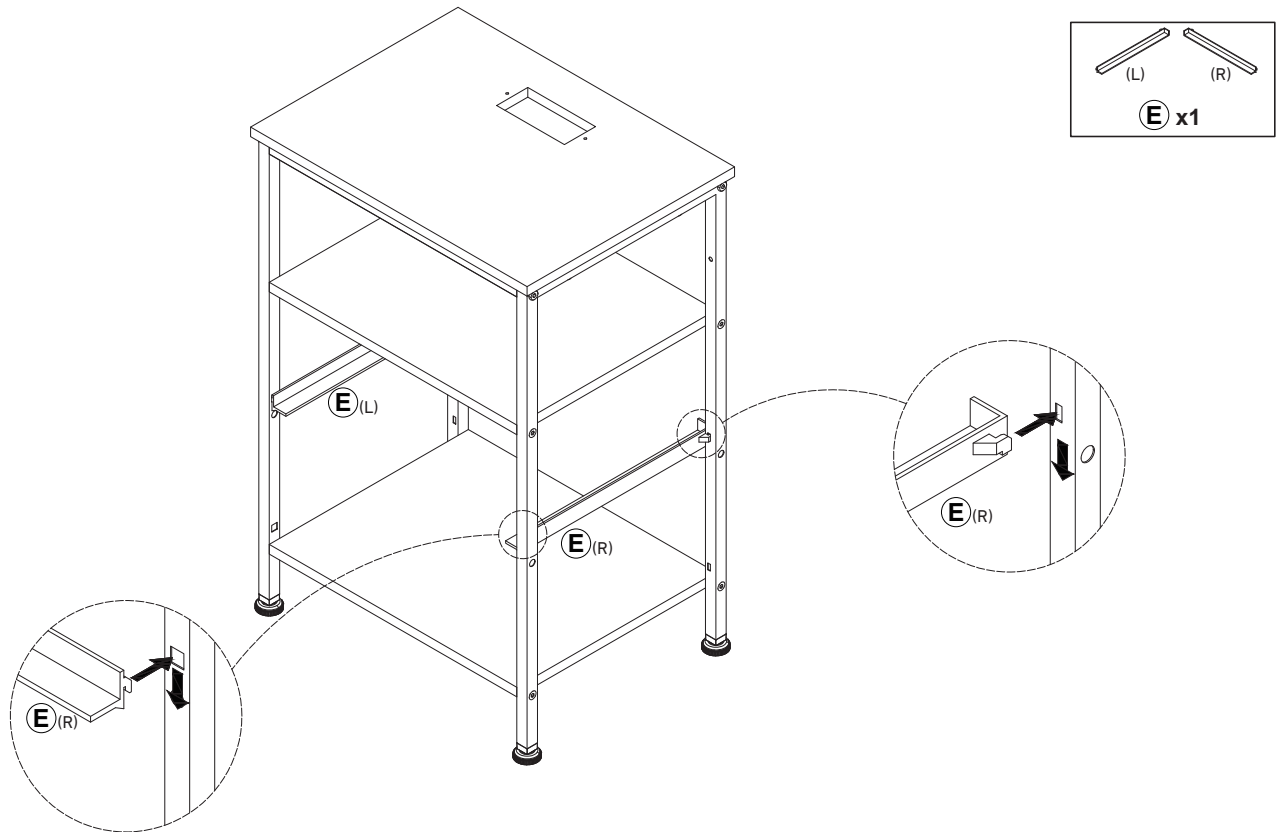
# A-1



# A-2

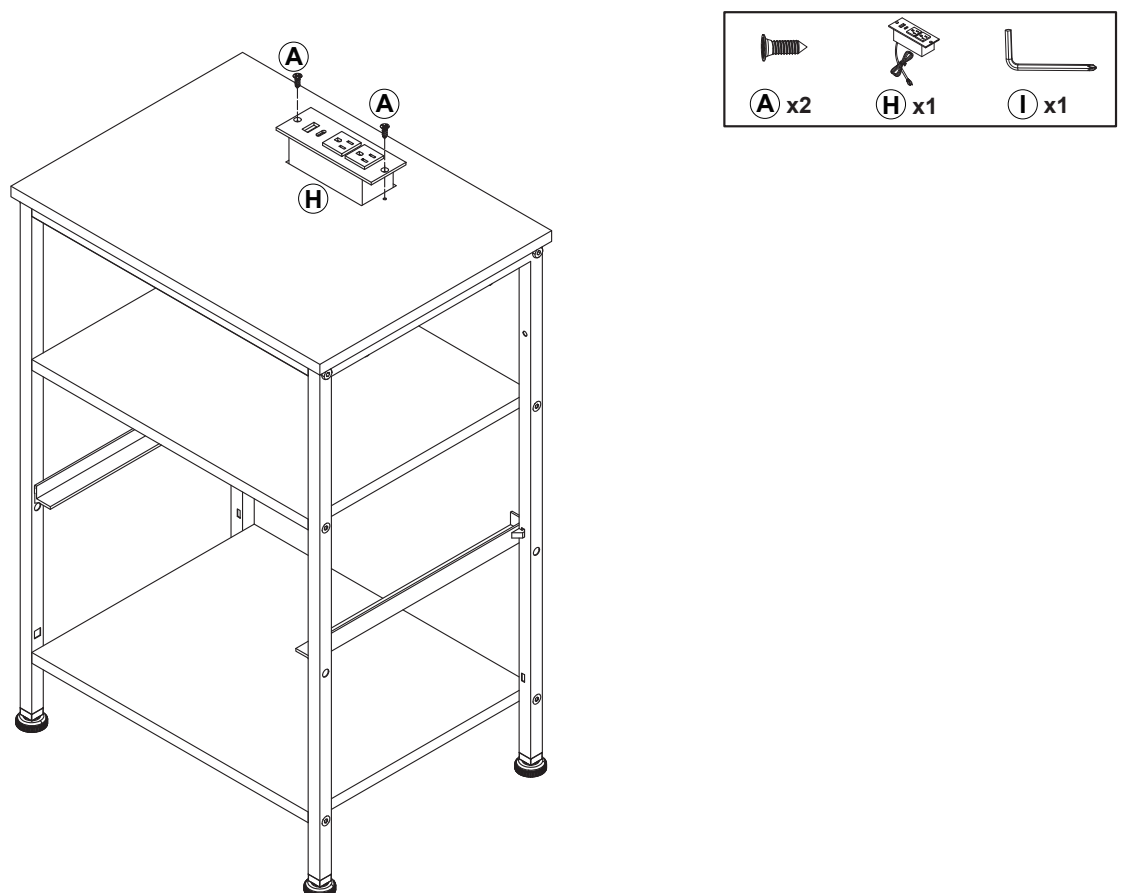


# A-3

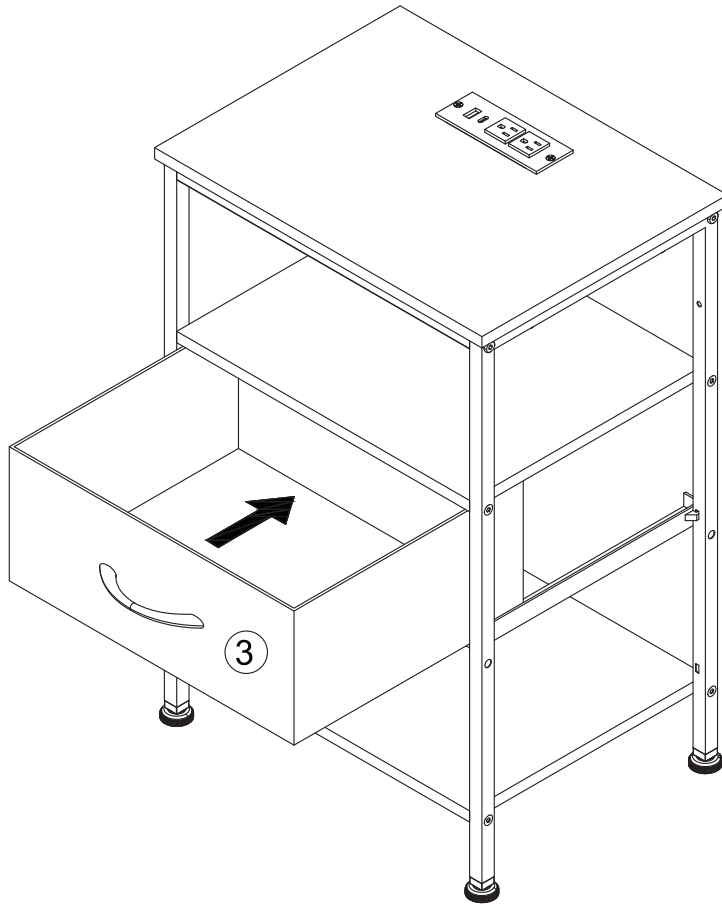


NOTE: Repeat the same process on the left side.

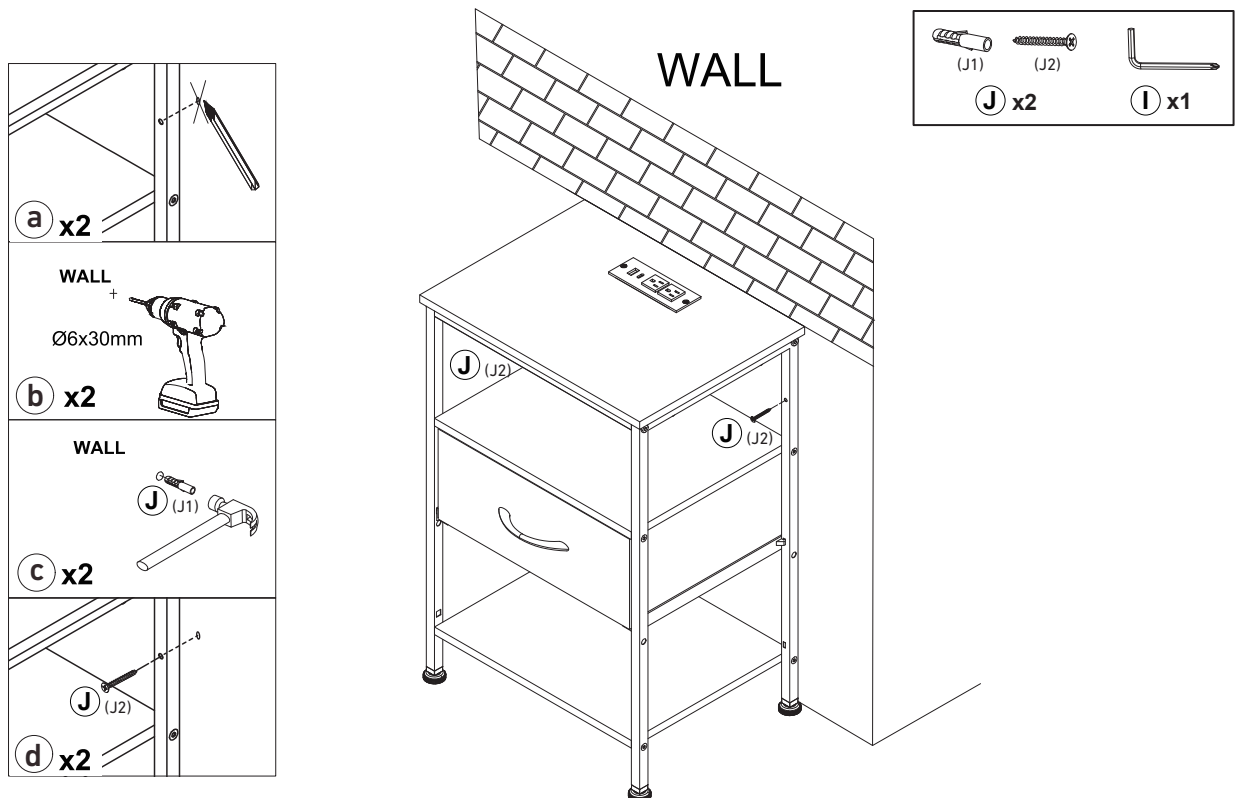
# A-4



# A-5

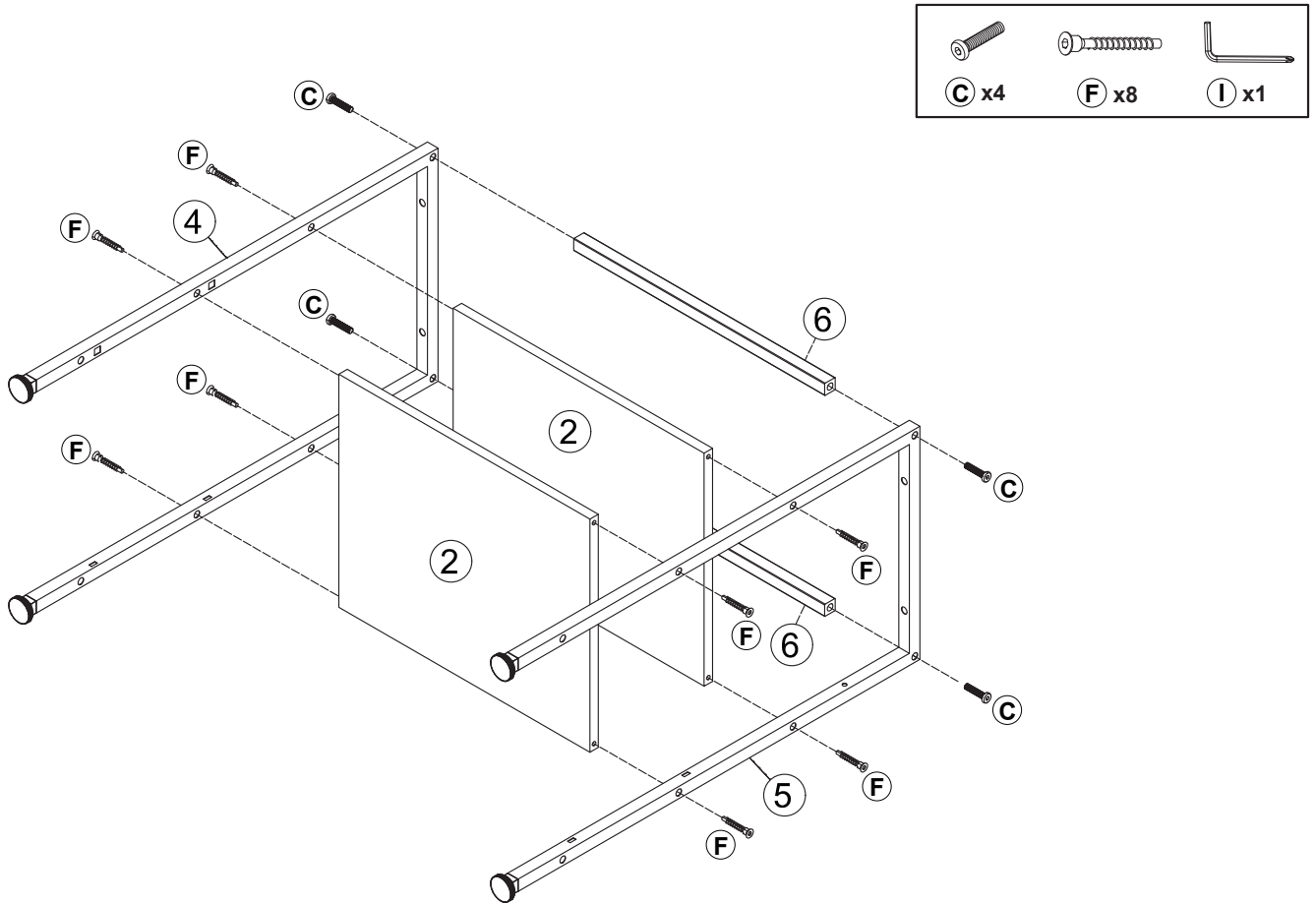


# A-6

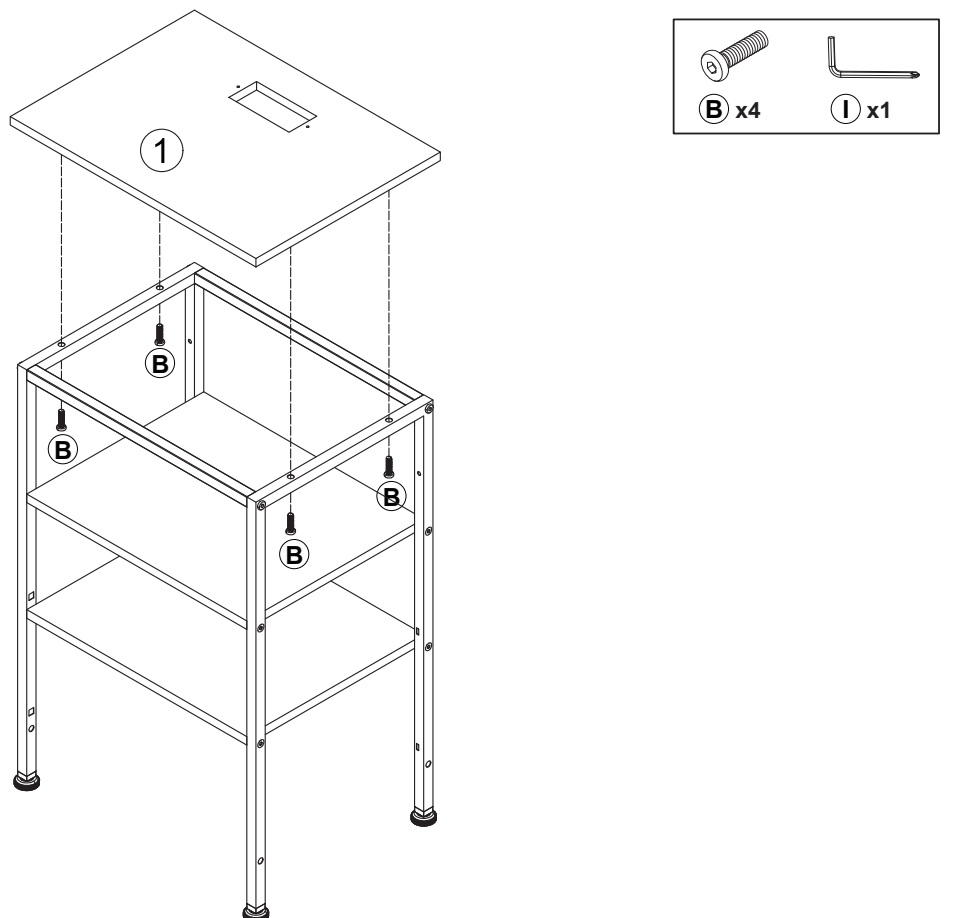


NOTE: Pencil, electric drill and hammer are not provided.

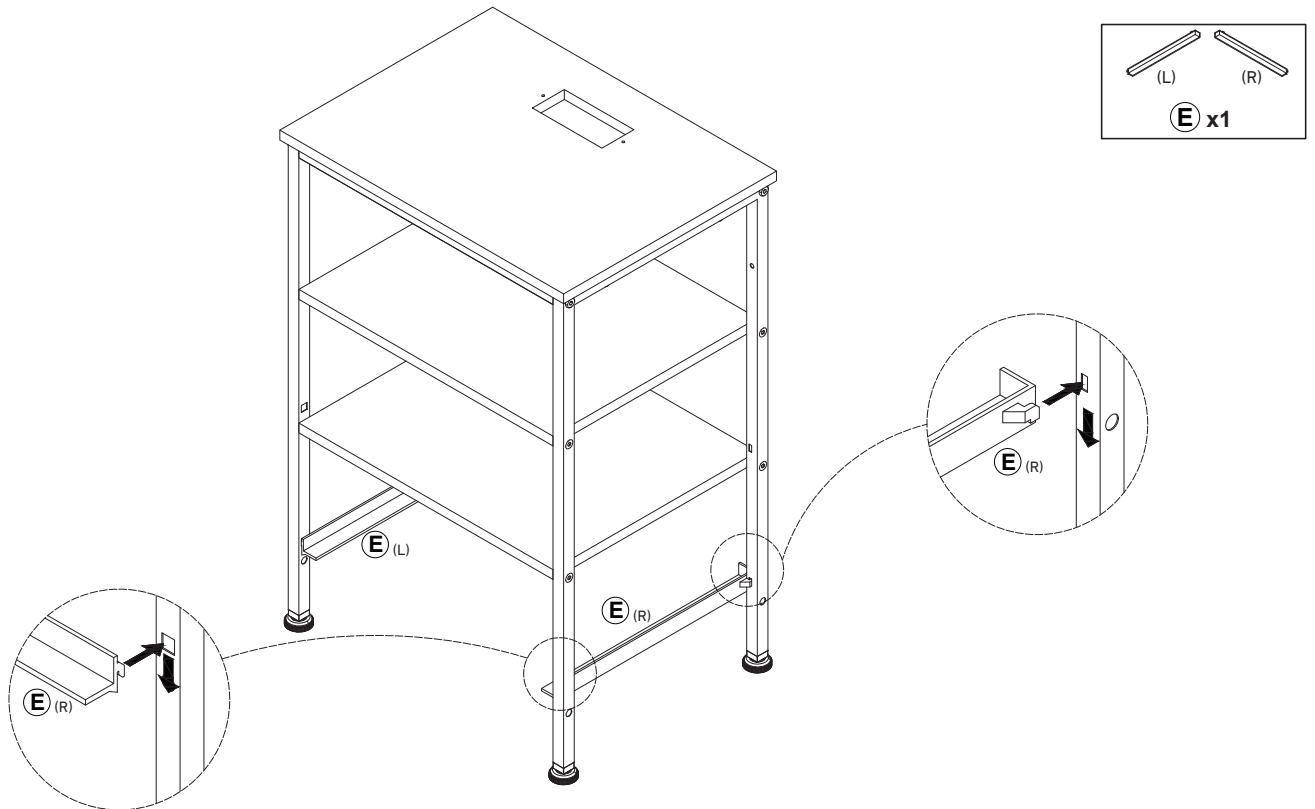
# B-1



# B-2

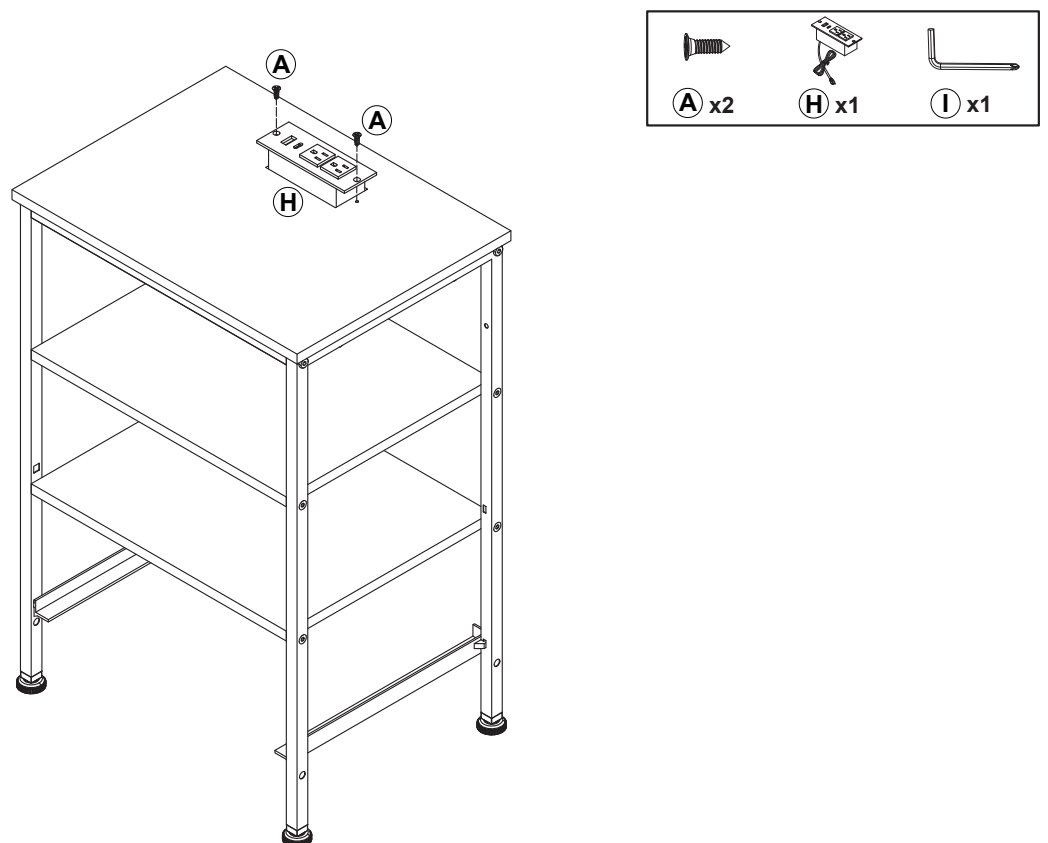


# B-3

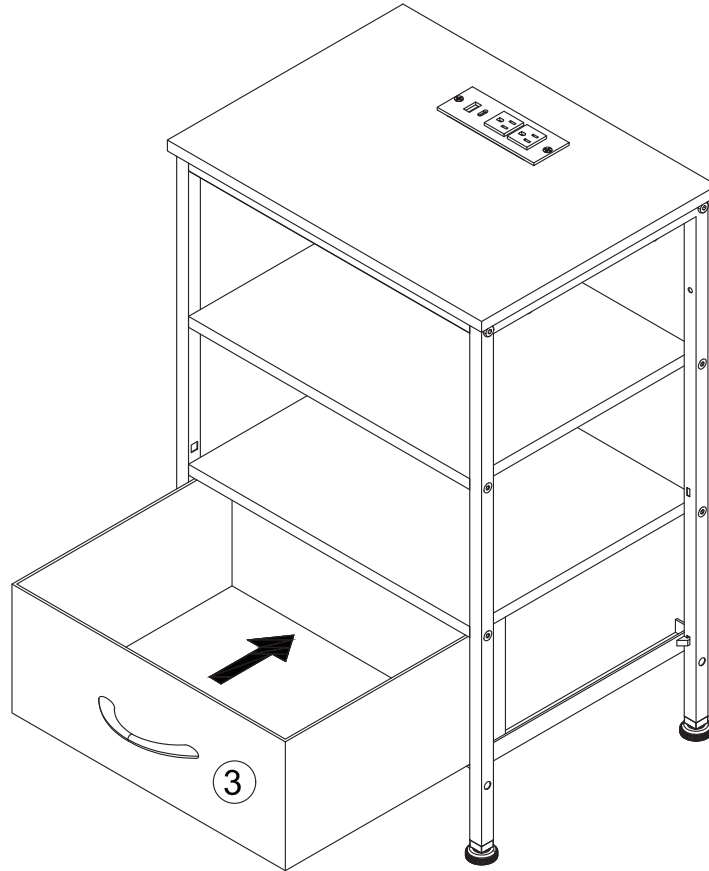


NOTE: Repeat the same process on the left side.

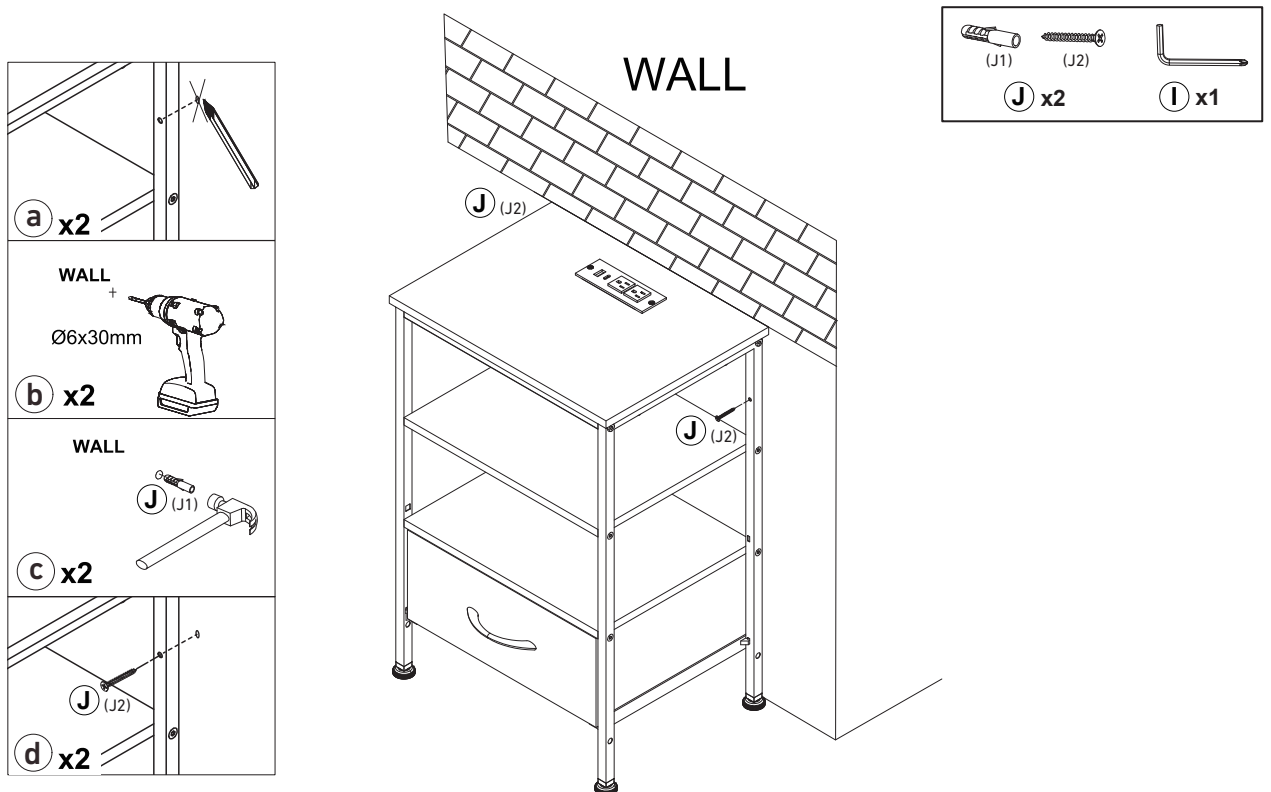
# B-4



# B-5

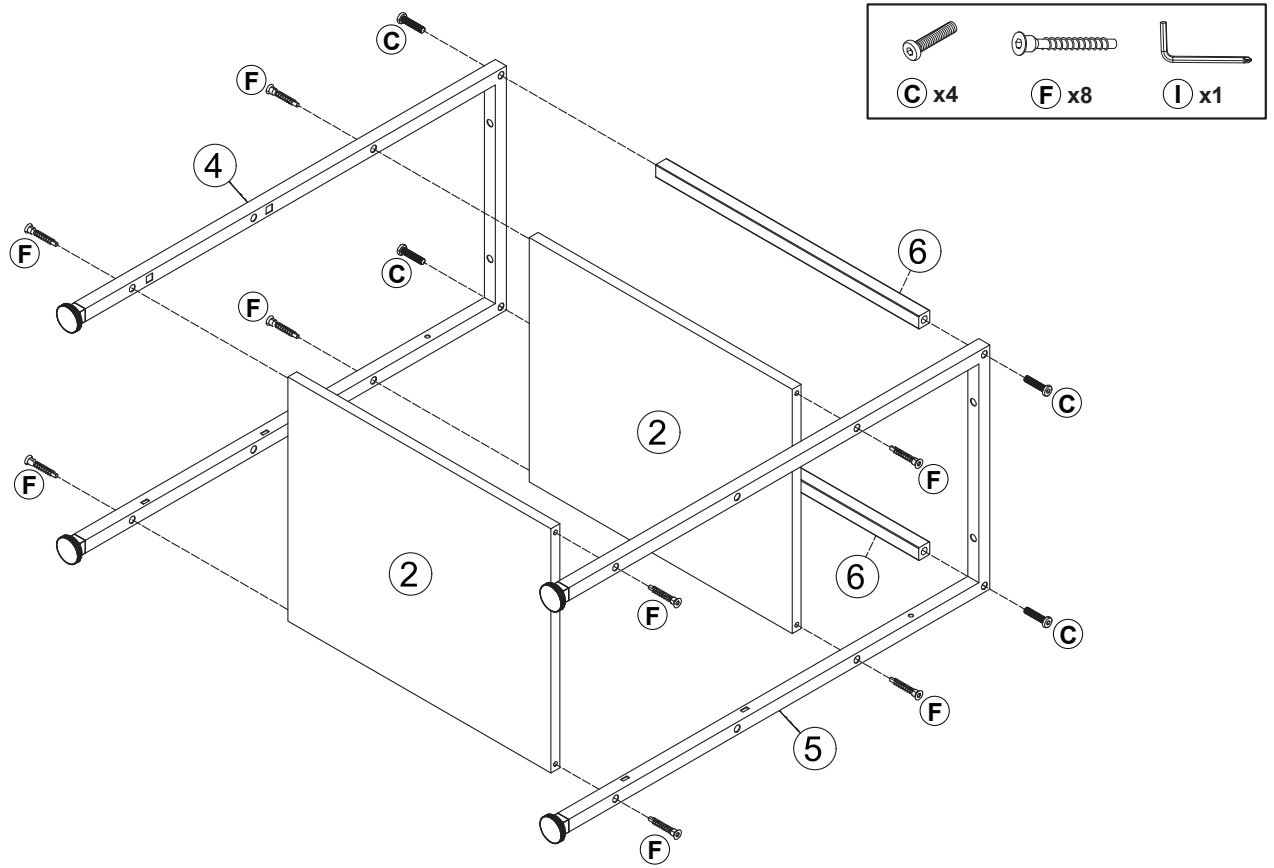


# B-6

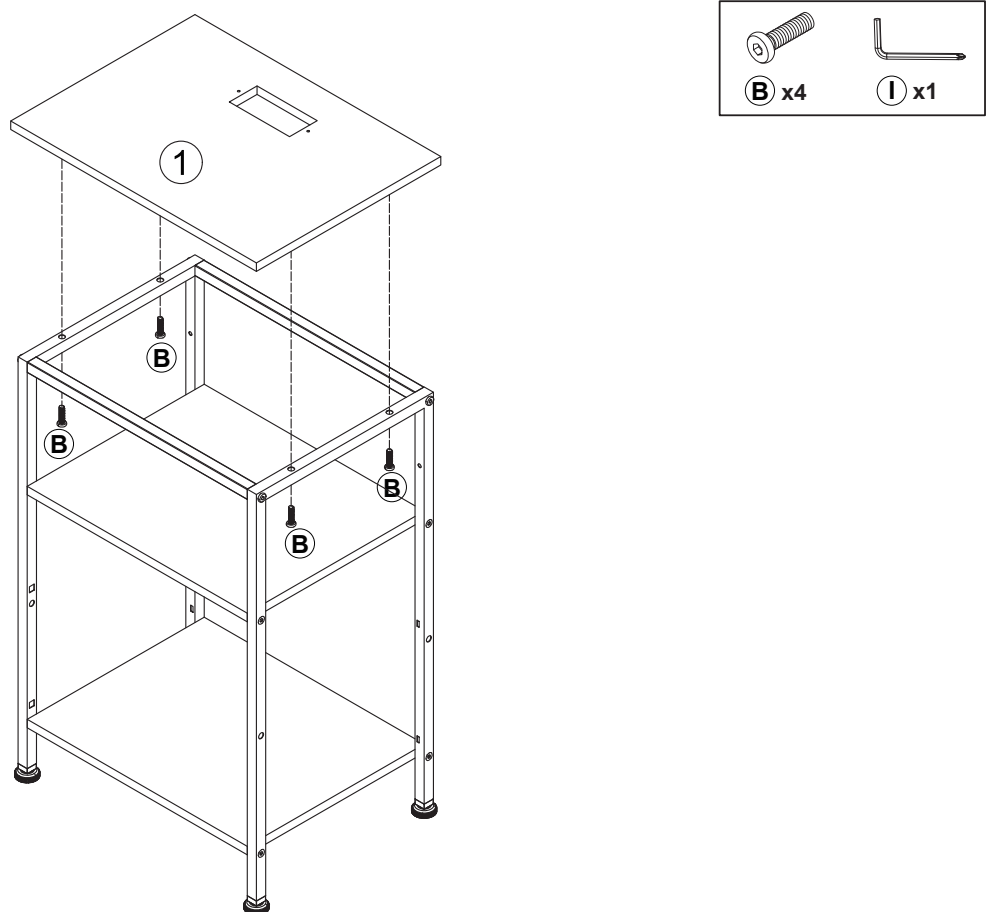


NOTE: Pencil, electric drill and hammer are not provided.

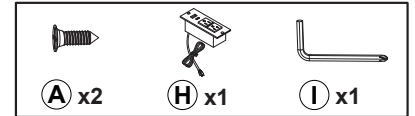
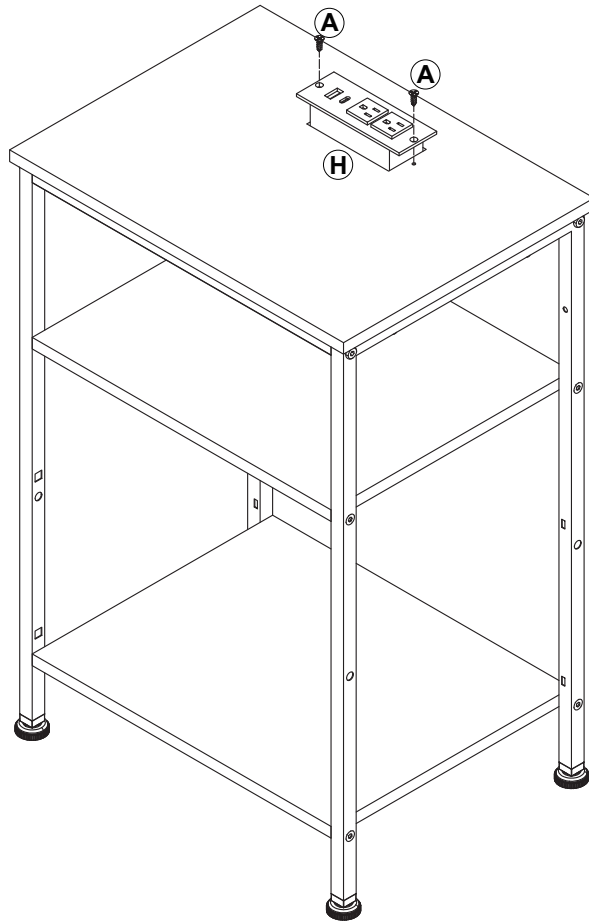
# C-1



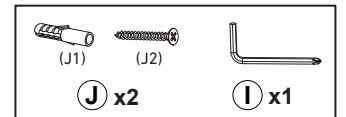
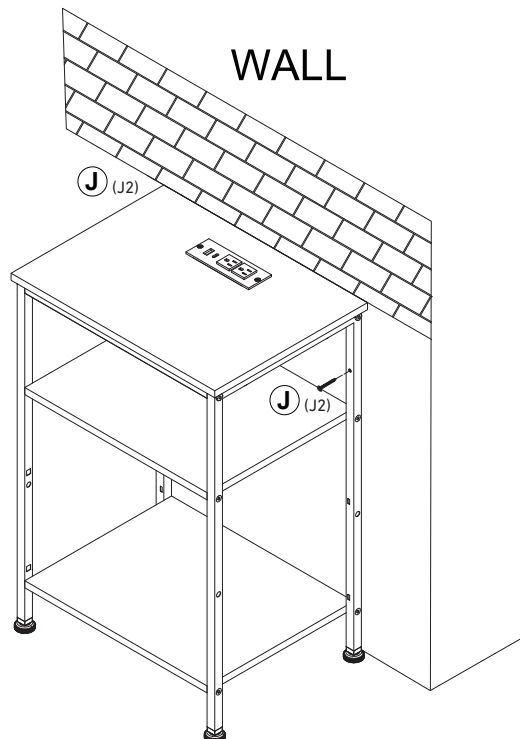
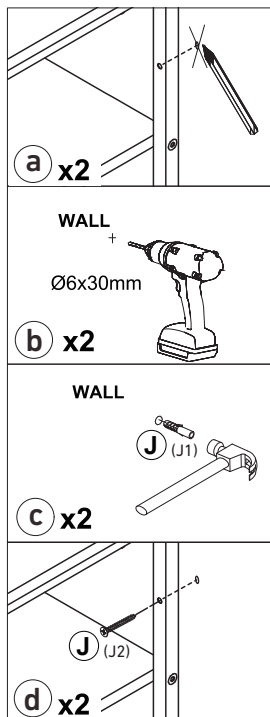
# C-2



# C-3

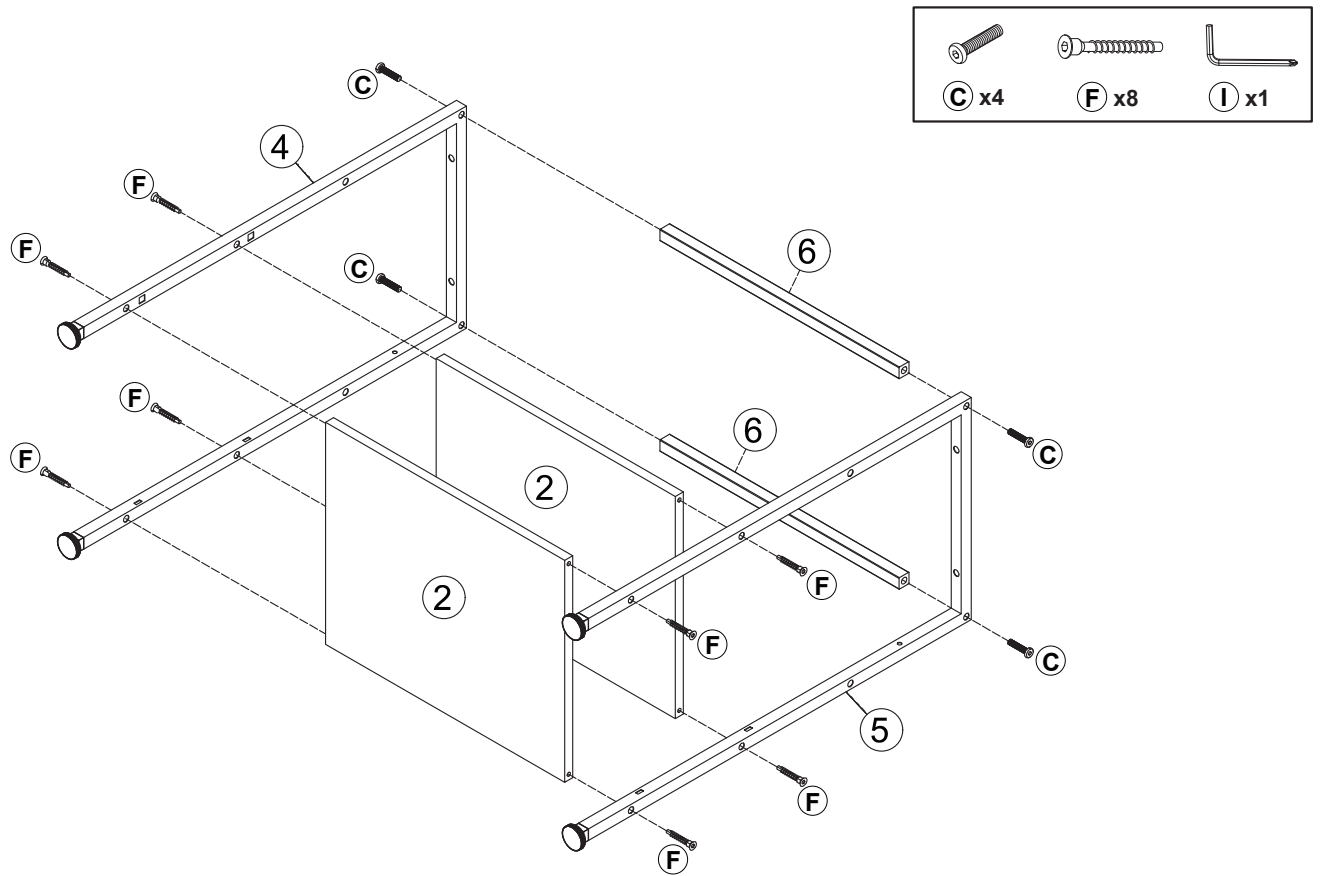


# C-4

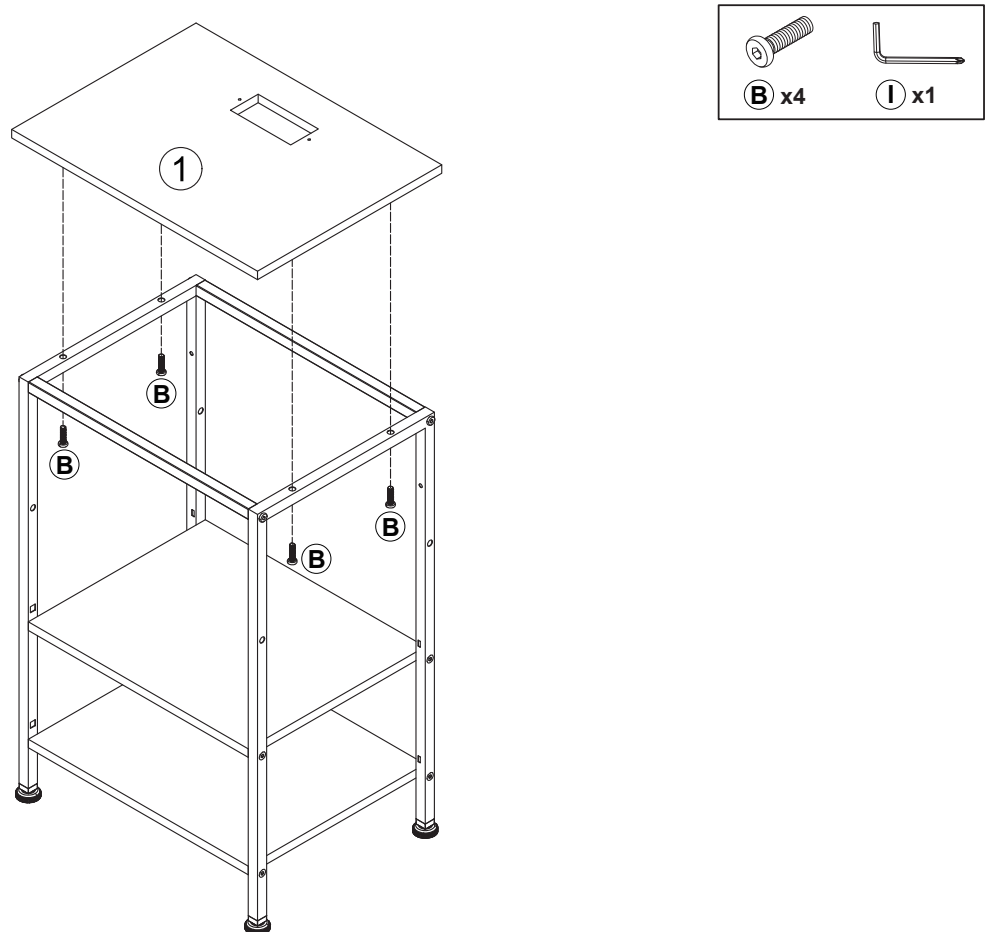


NOTE: Pencil, electric drill and hammer are not provided.

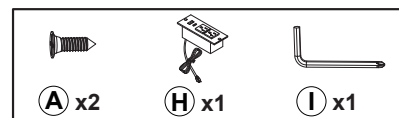
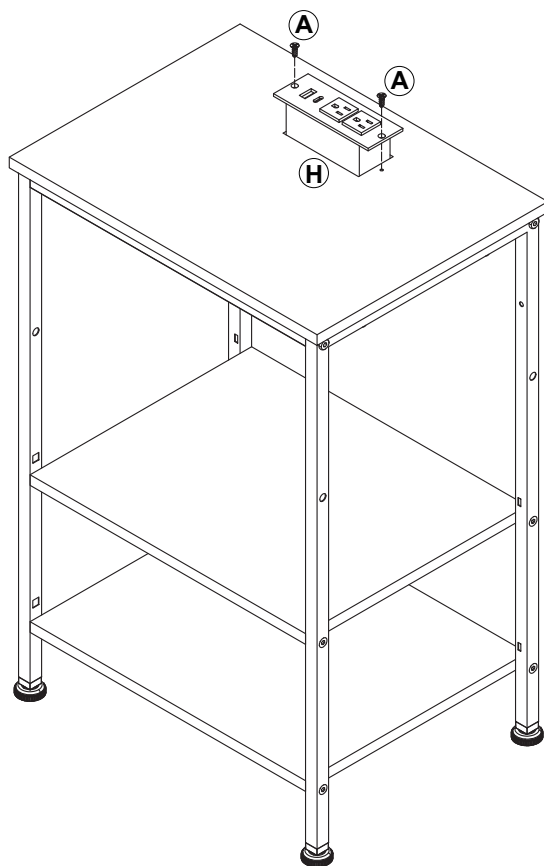
# D-1



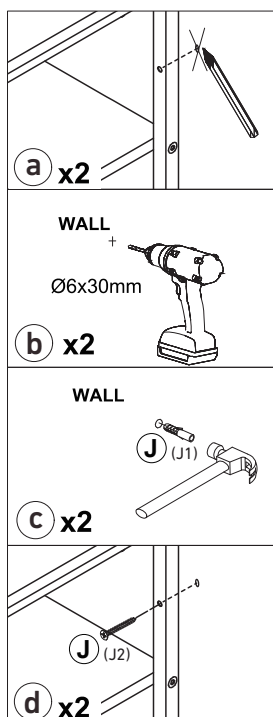
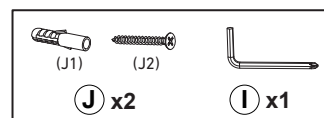
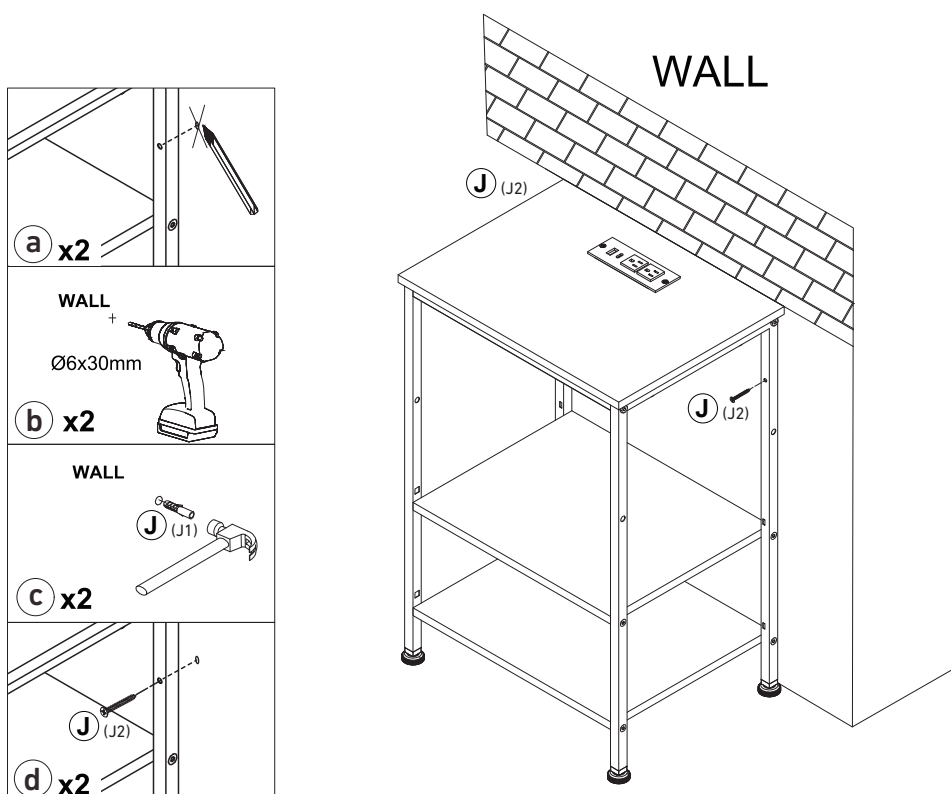
# D-2



# D-3



# D-4



NOTE: Pencil, electric drill and hammer are not provided.

