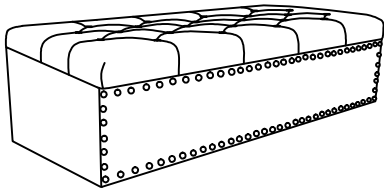


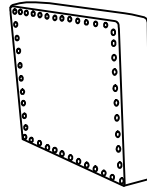
# ASSEMBLY INSTRUCTION

## Storage Bench

### Parts List



(A) Bench body x 1



(B) Armrests x 2



(C) Wooden Legs x 4

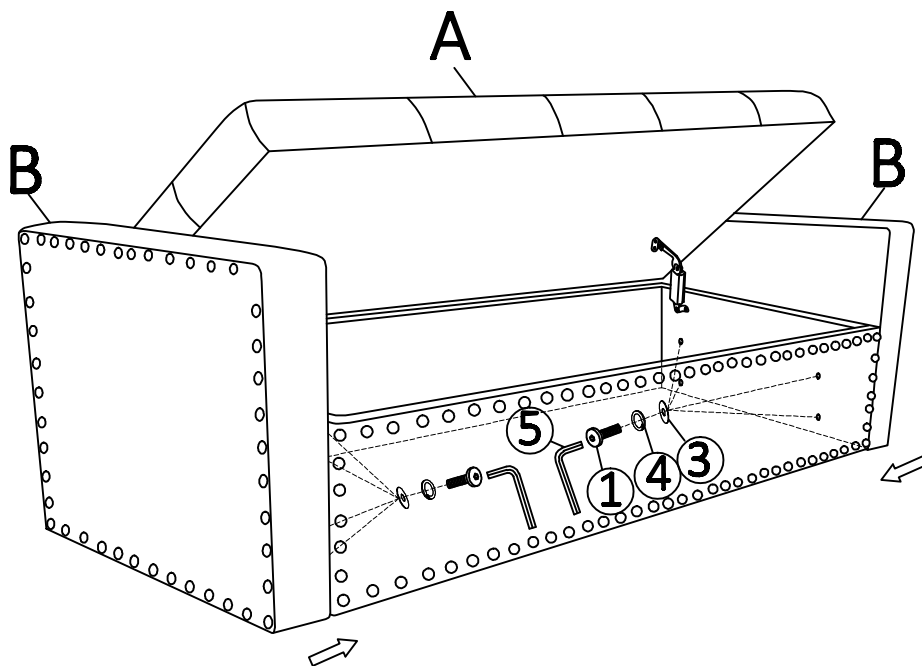


- ① Bolts x 8   ② Plastic Washers x 4   ③ Flat Washers x 8   ④ Spring Washers x 8   ⑤ Allen Key x 1

### Step 1

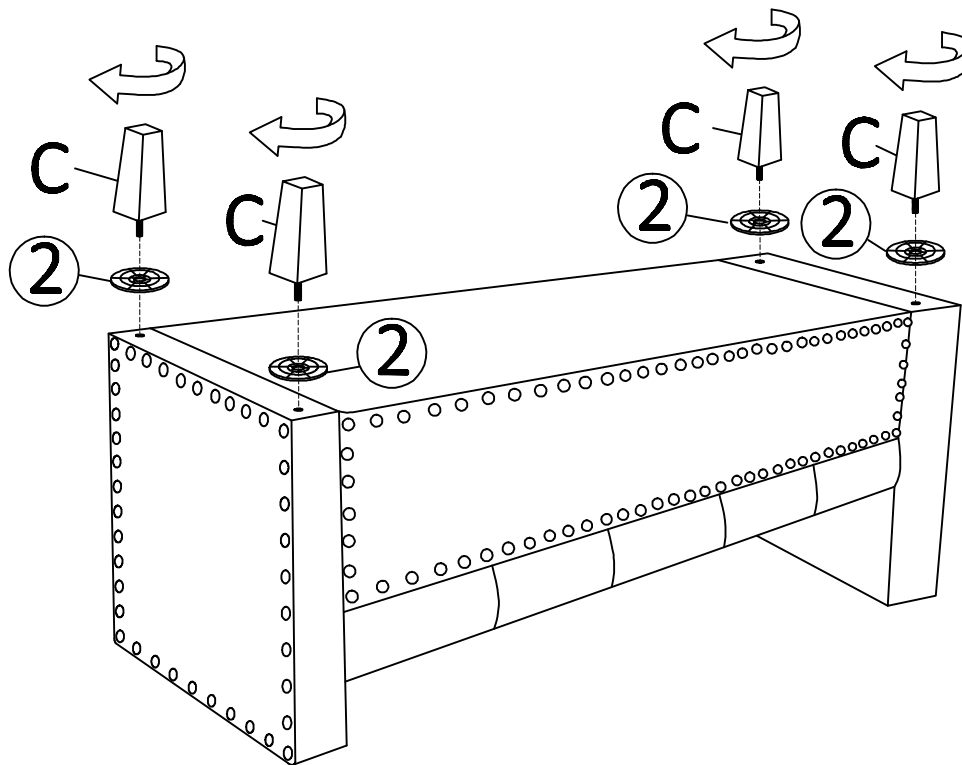
Remove the bench body (A) from the carton, open the storage and take out the 2pcs of armrests (B), 4pcs of wooden legs (C), and hardware package. Place them on a protected surface.

Attach both armrests (B) to the seat body (A) as instructed, fix them from the storage with bolts ①, spring washers ④, flat washers ③ by allen key ⑤. Fully tighten all the bolts finally and make sure to keep the armrests assembly sturdy.



## Step 2

Close the storage and upside down the bench, then attach the wooden legs (C) to the bottom of armrest with plastic washers (2), turn and tighten the legs one by one, adjust all the 4 legs to the same level finally.



Step 3 Place the bench upright on the level floor, then the assembly is complete.

