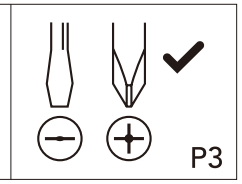
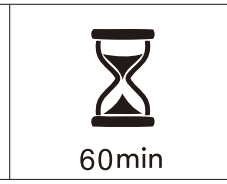
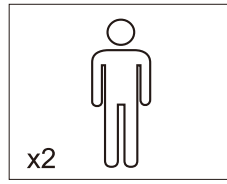


# NR517



**Thank you for choosing this furniture.**

**BEFORE YOU START ASSEMBLY** please store the carton at room temperature for 48 hours or more so the contents can acclimatise.

**PLEASE RETAIN ALL PACKING AND ASSEMBLY INSTRUCTIONS UNTIL YOU HAVE COMPLETED ASSEMBLY. BUILD YOUR FURNITURE ON A CLEAN SOFT COVER, SO IT DOES NOT MARK YOUR FURNITURE**

## Information about your furniture.

Our pine furniture ranges have been carefully crafted from solid wood and MDF. Each piece of wood has unique characteristics such as knots, variances in shading and graining. These are part of the natural character of the furniture itself.

## Caring for your furniture.

Extreme temperature can cause slight movements in the wood and mdf so please avoid placing your furniture close to radiators or other direct sources of heat. Humidity should also be avoided.

Please avoid exposing your furniture to continued bright sunlight as it can affect the colour.

Any fluid spills should be removed as quickly as possible.

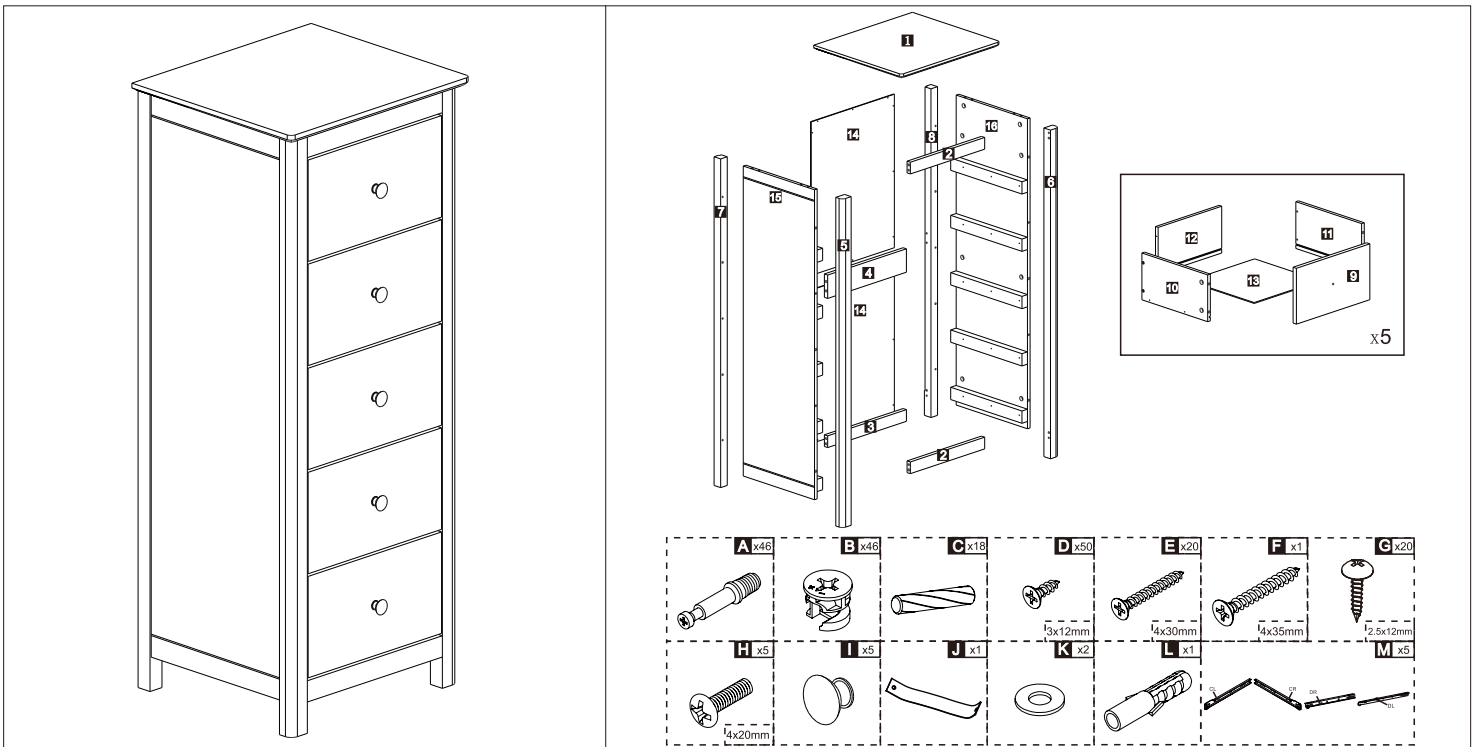
Always lift your furniture when moving as dragging may cause damage to your furniture or flooring.

Do not sit or stand on your furniture

## After care.

Wipe the surfaces with a dry cloth and an occasional use of a normal household furniture polish. We also recommend you use household spray polish occasionally on the drawer grooves and runners as this will aid use. Please do not use detergents or chemicals on your furniture.

## PARTS LIST



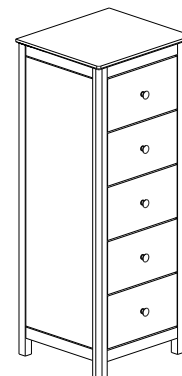
## BEFORE YOU START ASSEMBLY

Please check that you have all the correct parts and fittings as detailed in the Parts List above.

In the unlikely event that you require to order spare parts please refer to your delivery note for details of how to order on our Parts Website.

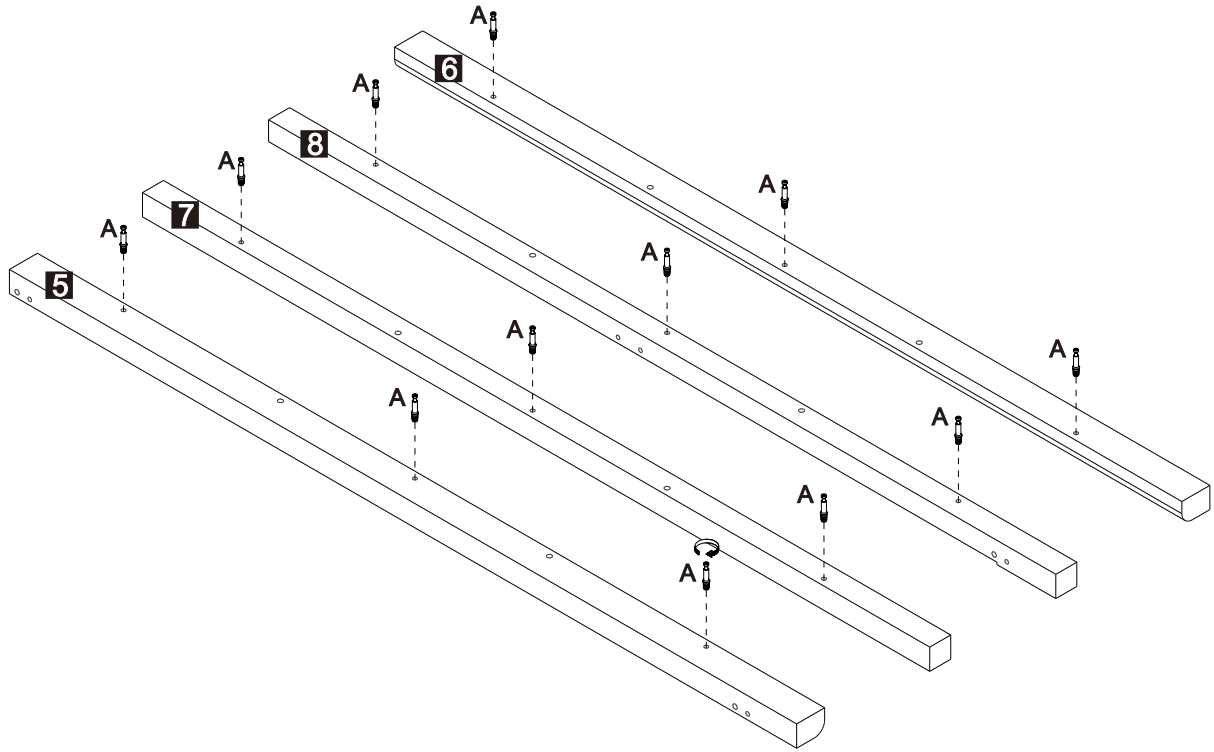
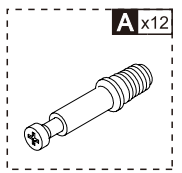
BATCH NUMBER

7457/2024



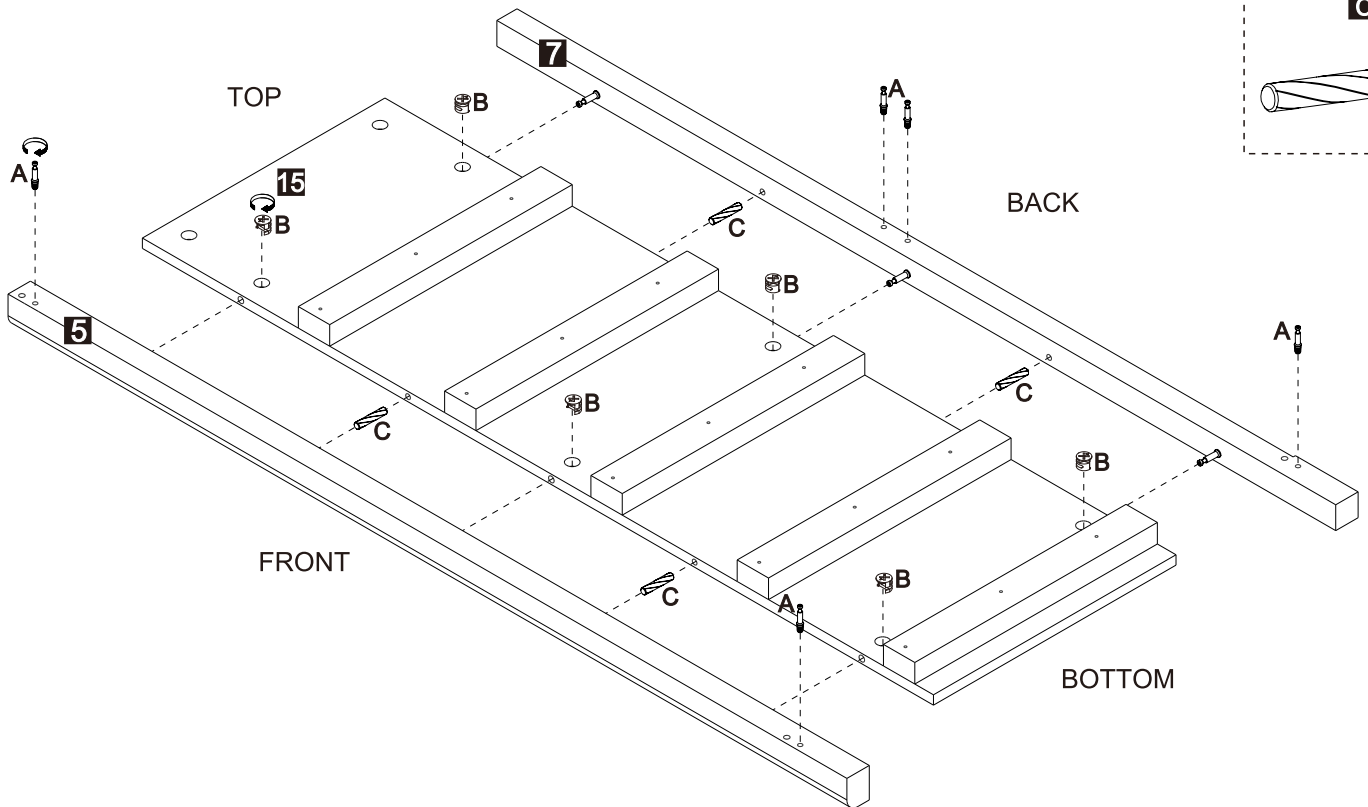
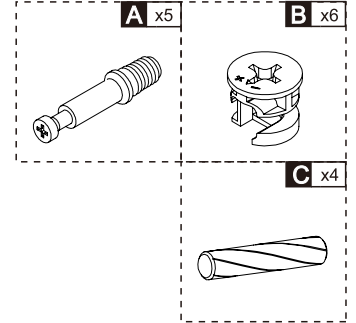
**PLEASE RETAIN THIS INSTRUCTION LEAFLET FOR FUTURE REFERENCE.**

# Step 1



PLEASE ENSURE LEGS ARE FACING THE CORRECT WAY

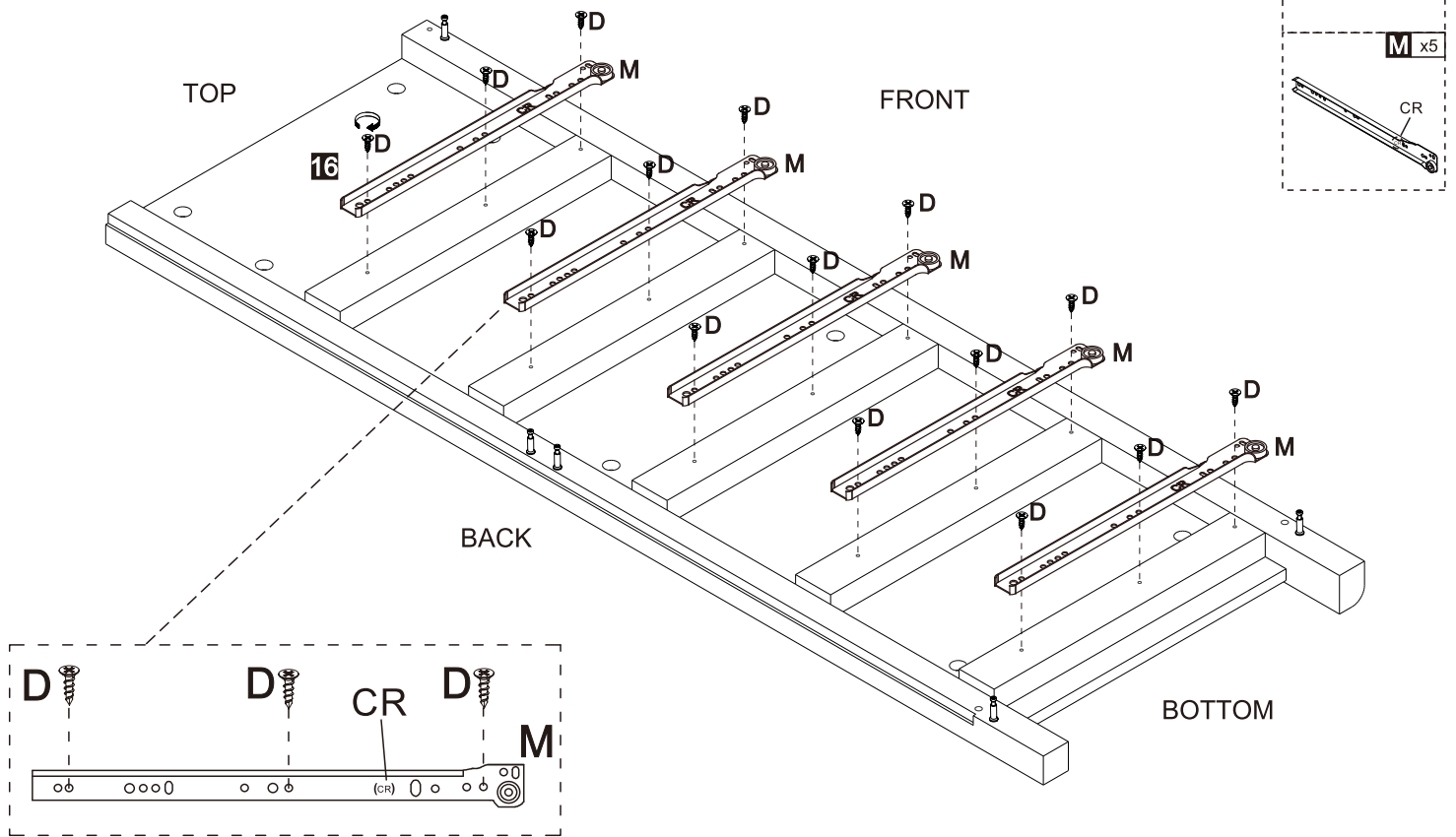
# Step 2



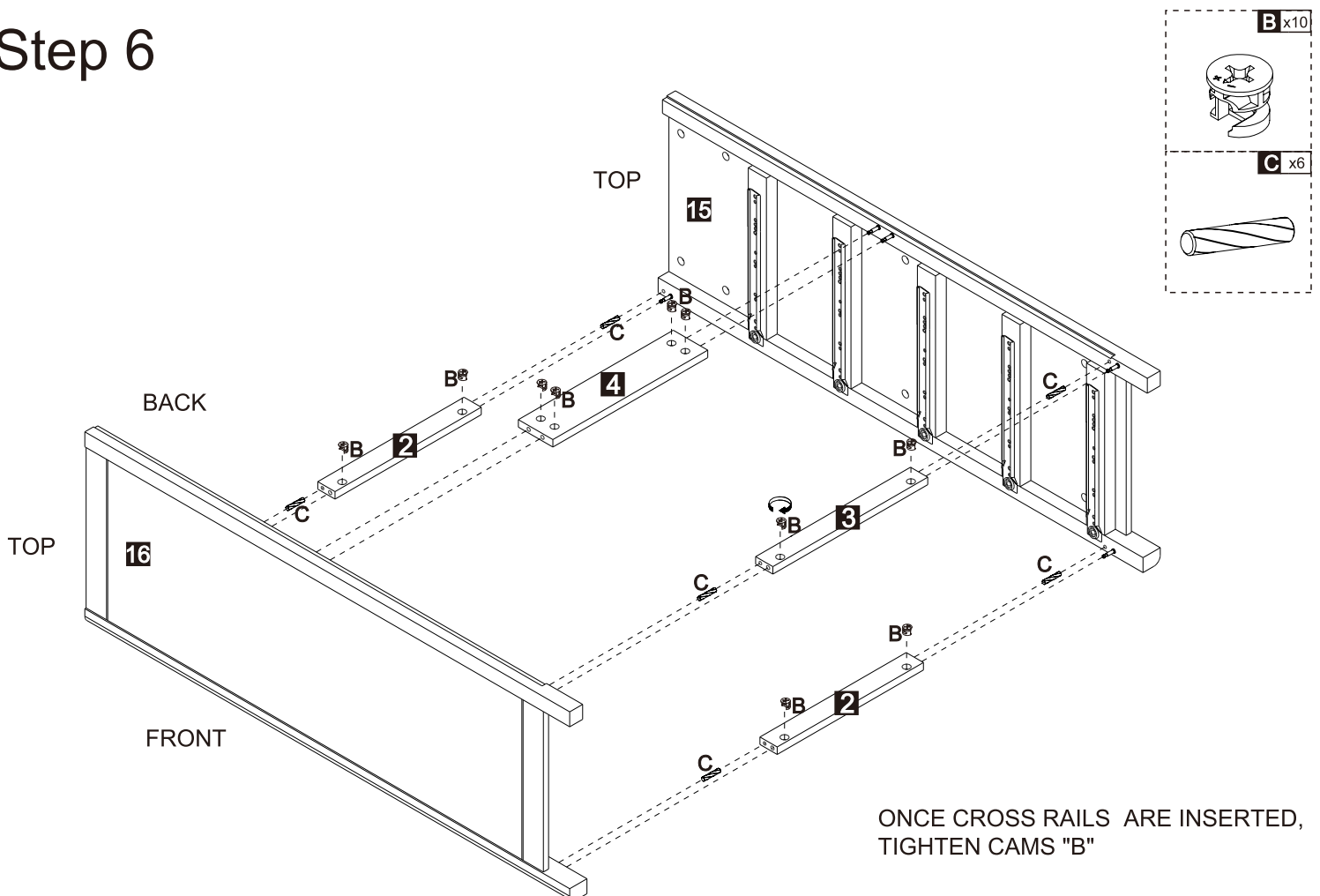
PLEASE ENSURE THE CORRECT LEGS ARE USED, ONCE INSERTED TIGHTEN CAM "B"



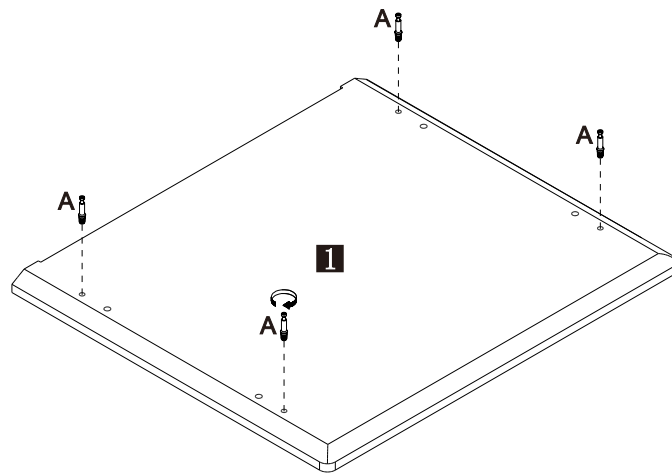
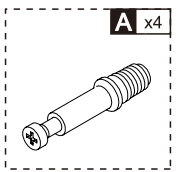
# Step 5



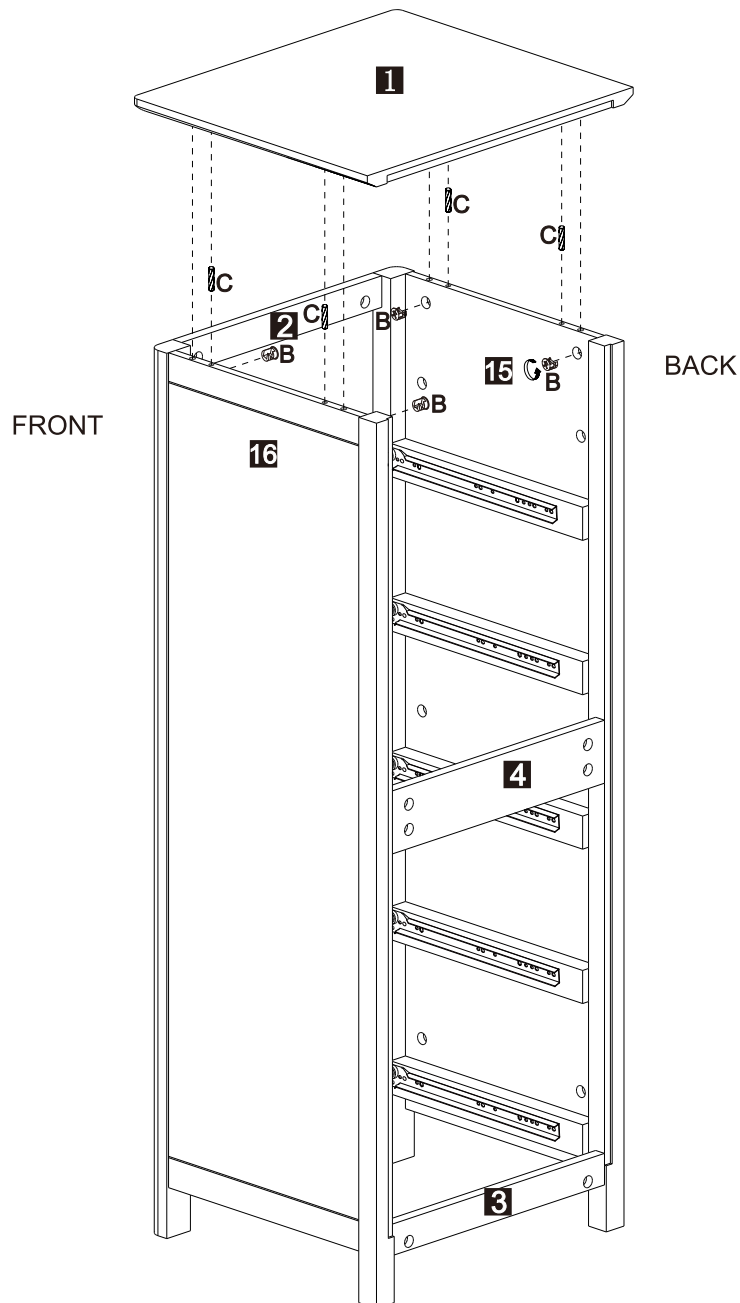
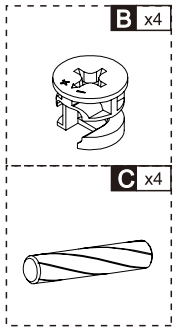
# Step 6



# Step 7

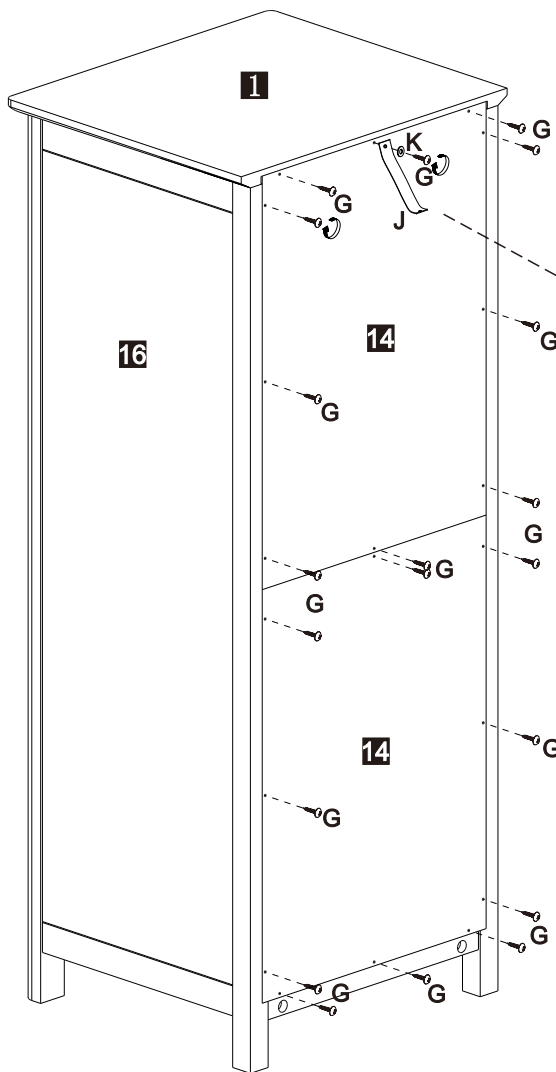


# Step 8

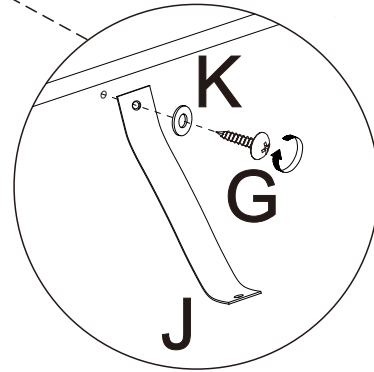
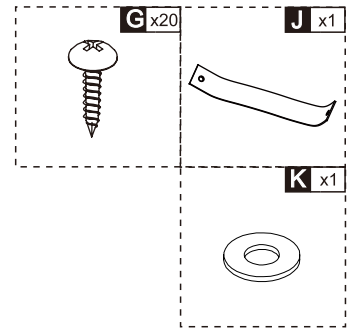


ONCE THE TOP "1" HAS BEEN FIXED, TIGHTEN CAMS "B"

# Step 9

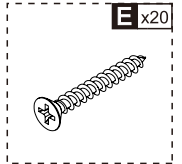
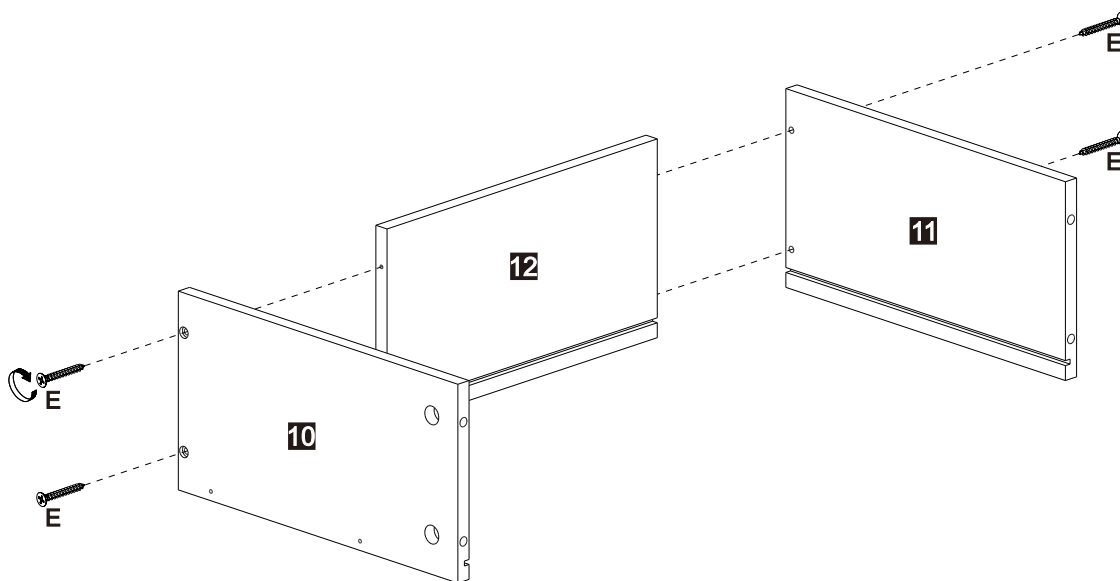


ENSURE BACK PANELS ARE FIXED STRAIGHT AND LEVEL



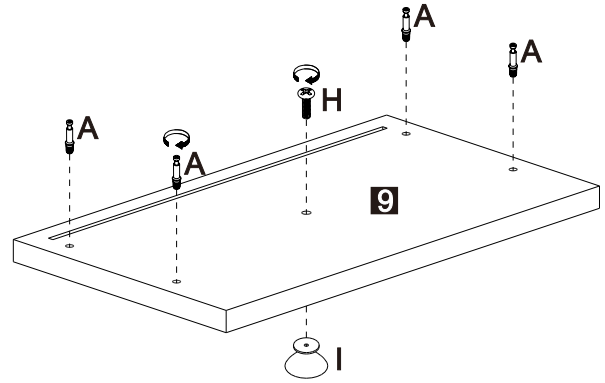
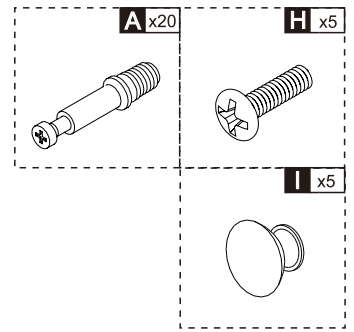
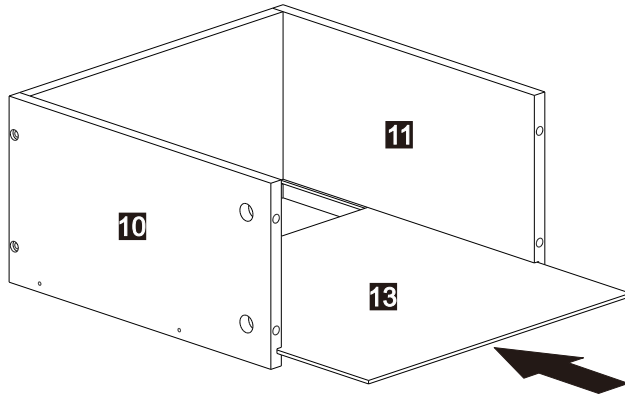
ATTACH THE FIXING STRIP TO THE BACK EDGE OF FURNITURE TOP USING THE 14MM SCREW +WASHER AND SECURELY TIGHTEN

# Step 10



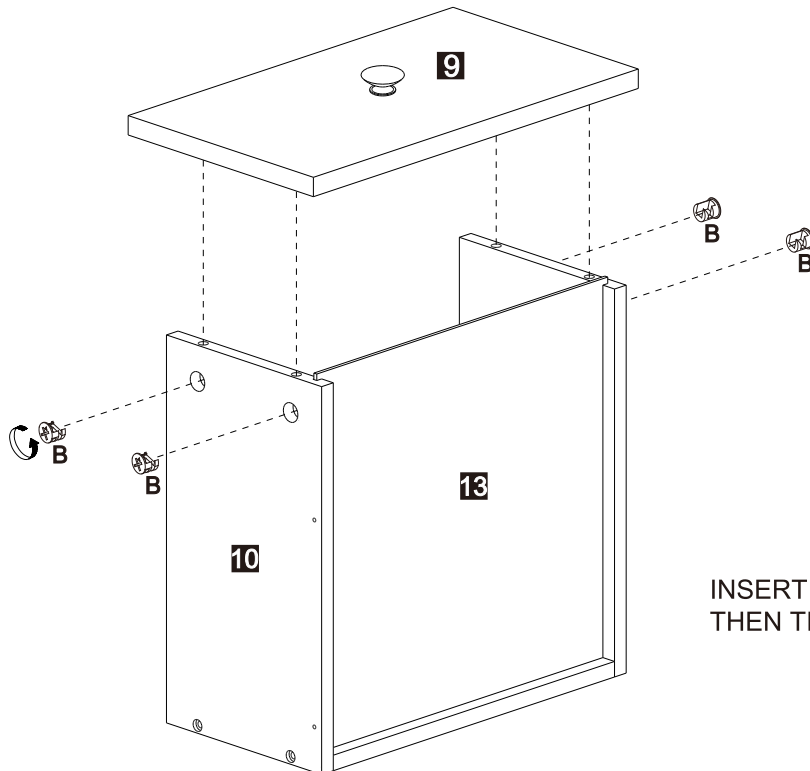
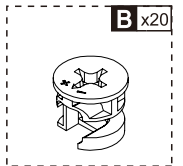
x5

# Step 11



x5

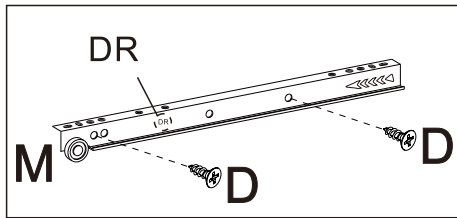
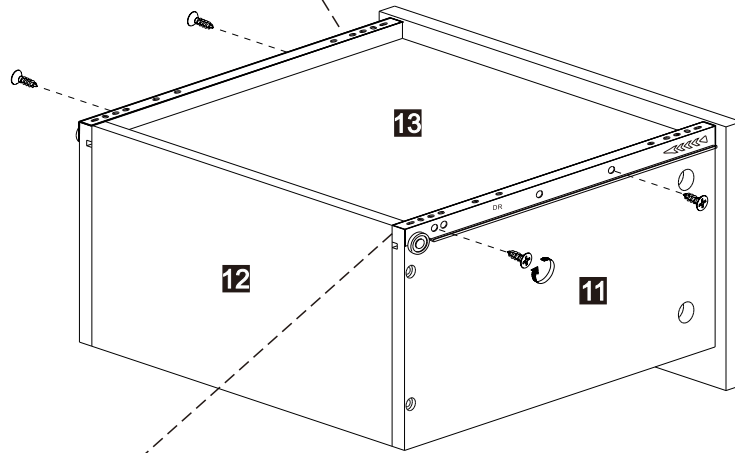
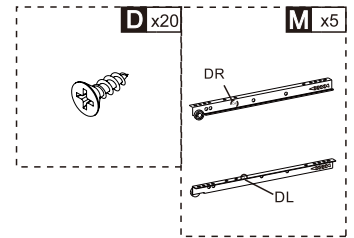
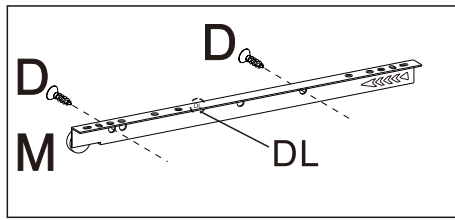
# Step 12



INSERT DRAWER FRONT AND THEN TIGHTEN CAMS "B"

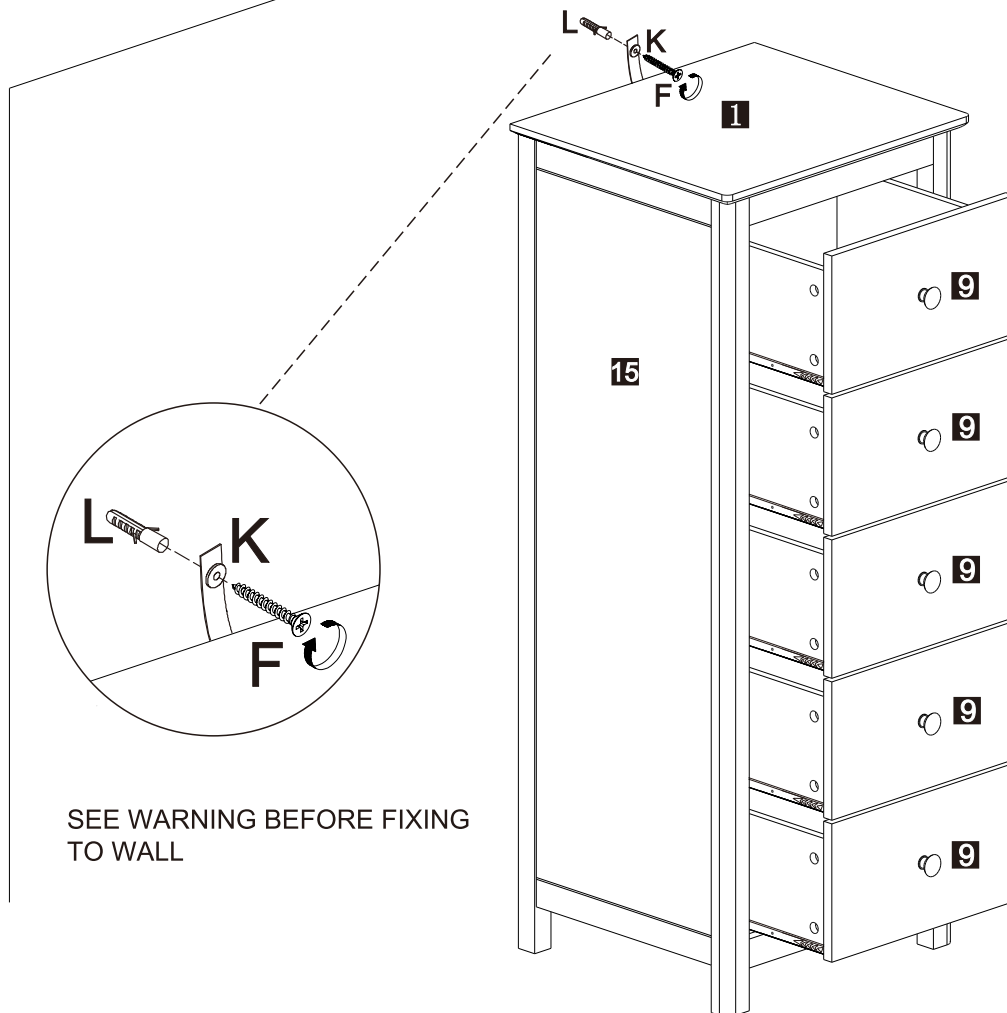
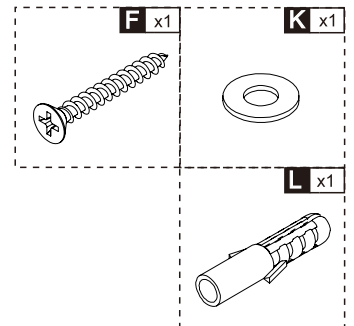
x5

# Step 13



x5

# Step 14



SEE WARNING BEFORE FIXING TO WALL

## **IMPORTANT NOTICE**

Please avoid opening all drawers or doors simultaneously as this could cause your furniture to fall forwards. Where there is a risk of this occurring, especially in environments with children or uneven floors we recommend that this item of furniture is attached to your wall using appropriate fixings (supplied). you may need a specialised fitting for your wall if it is not solid or brick, this is not supplied

**WARNING: CHECK FOR HIDDEN PIPES AND CABLES BEFORE DRILLING.**

**IMPORTANT: IF YOUR WALLS ARE NOT SOLID LIKE BRICK OR STONE, YOU WILL REQUIRE SPECIALIST FITTINGS (NOT SUPPLIED).**

- 1 • Place fixing strip against the wall and mark position for drilling hole.  
(if your wall is solid wood ,move to step 4).
- 2 • Drill hole in your wall to a depth of 30mm using a 6mm drill bit. If the surface of your wall is soft and crumbly, we would advise you to use a 5mm drill bit for a tighter fit.
- 3 • Insert plug into hole with end flush to the wall surface.
- 4 • Attach fixing strip to the wall using the 25mm screw + washer and securely tighten.