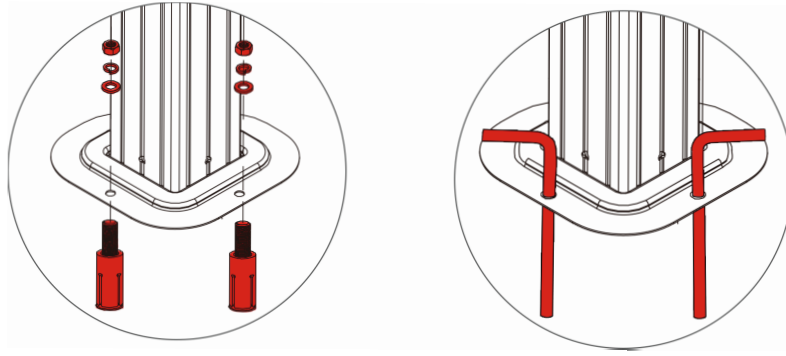


FTPLCG-0544
FTPLCG-0545
FTPLCG-0546



WARNING

"IMPORTANT, RETAIN FOR FUTURE REFERENCE: READ CAREFULLY"

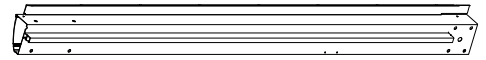
1. Must use ground nails, ropes, and expansions screws for whichever ground you install on for stability to avoid devastating injuries for people inside or nearby and property damage caused by a collapsing gazebo.
2. Do not use this gazebo in high winds, heavy snow, or inclement weather. It is not designed to withstand strong gusts of wind, heavy snow accumulation, or other inclement weather. Must take precautions when the wind speed exceeds 25Mph, and clear snow when it accumulates more than 2 inches.
3. Before use, thoroughly inspect the gazebo to make sure all bolts, nuts, and buckles have been completely tightened and securely fastened.
4. Warranty does not cover damages, losses, or injuries resulting from improper installation, misuse, not using stability accessories mentioned above, non snow cleaning, failure to take precautionary measures, etc.



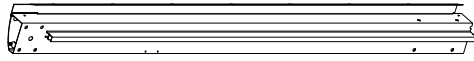
1. Two or more people are required for assembly.
2. A ladder and electric drill may be necessary.
3. Do not erect the structure in heavy winds or inclement weather.
4. Do not leave up this unit for extended periods of time, as it is not a permanent structure or designed to withstand sustained wind or rain. It is a temporary, portable shelter that shields you from sunlight and rain. The screens also block flying insects.
5. Do not use candles, matches, or any open flames near the tent.
6. To better align the screws for practical situations, do not fully tighten screws initially.
7. Professional installation is highly recommended.



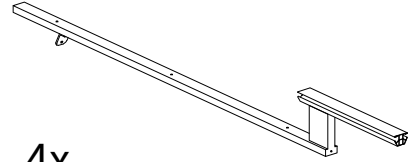
(A) 4x



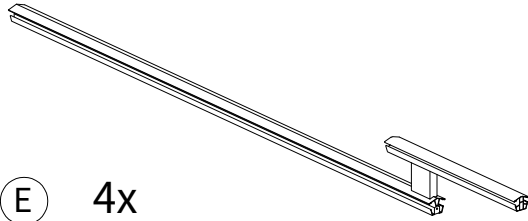
(C) 4x



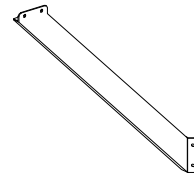
(C1) 4x



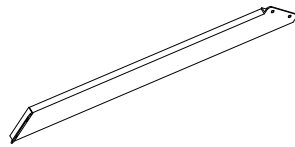
(D) 4x



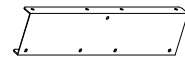
(E) 4x



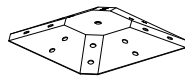
(F) 4x



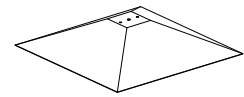
(F1) 4x



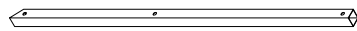
(G) 4x



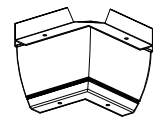
(H) 1x



(H1) 1x



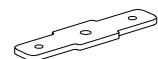
(I1) 8x



(L) 4x



(L1) 4x



(N) 4x



(N1) 4x



(N2) 8x



N3 76x (+4)



N4 4x



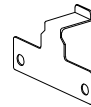
N5 4x



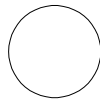
T 4x



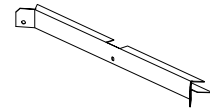
Y 112x (+6)



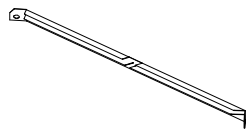
Y1 4x



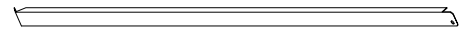
Y2 1x



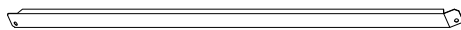
J1 4x



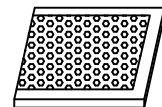
K1 4x



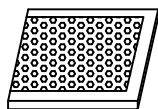
O 4x



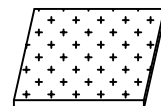
O1 4x



R 1x



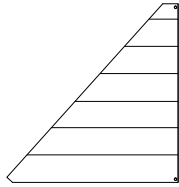
R1 4x



R2 4x

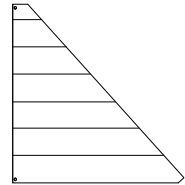
(P)

4x



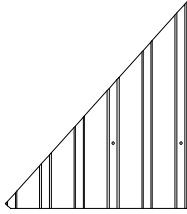
(P1)

4x



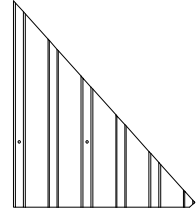
(W)

4x



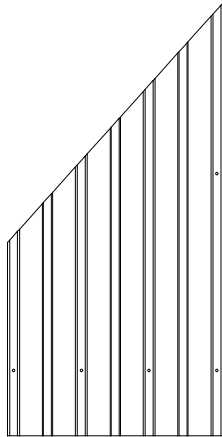
(W5)

4x



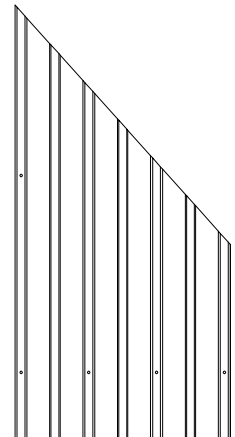
(W1)

4x



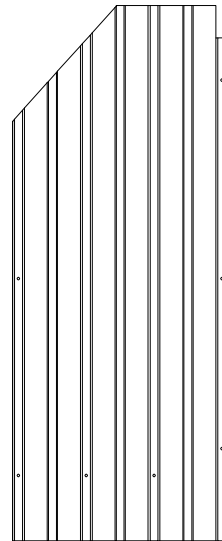
(W4)

4x



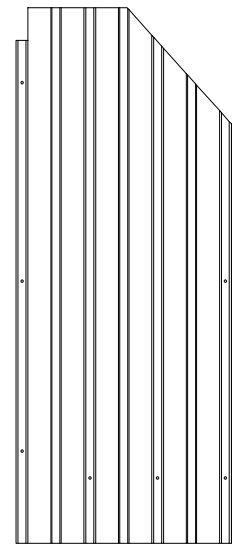
(W2)

4x



(W3)

4x



(Q)

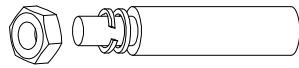
48x (+2)



(Q1)

16x (+1)





Ⓥ2 12x

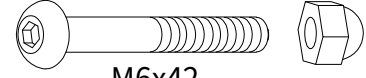


Ⓥ4 12x



M6x47

ⓋZ 8x (+2)



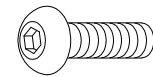
M6x42

ⓋZ1 4x (+2)



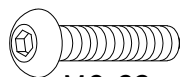
M6x23

ⓋZ2 56x (+4)



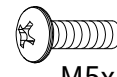
M6x15

ⓋU 117x (+5)



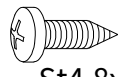
M6x23

ⓋU1 8x (+2)



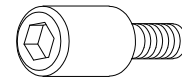
M5x15

ⓋU2 4x (+2)



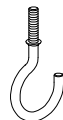
St4.8x12

ⓋU3 56x (+4)

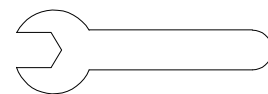


D10x19/M6x12

ⓋV 32x (+2)



ⓋV1 1x



S4

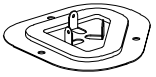


S4(10cm)

<1>



A 4x

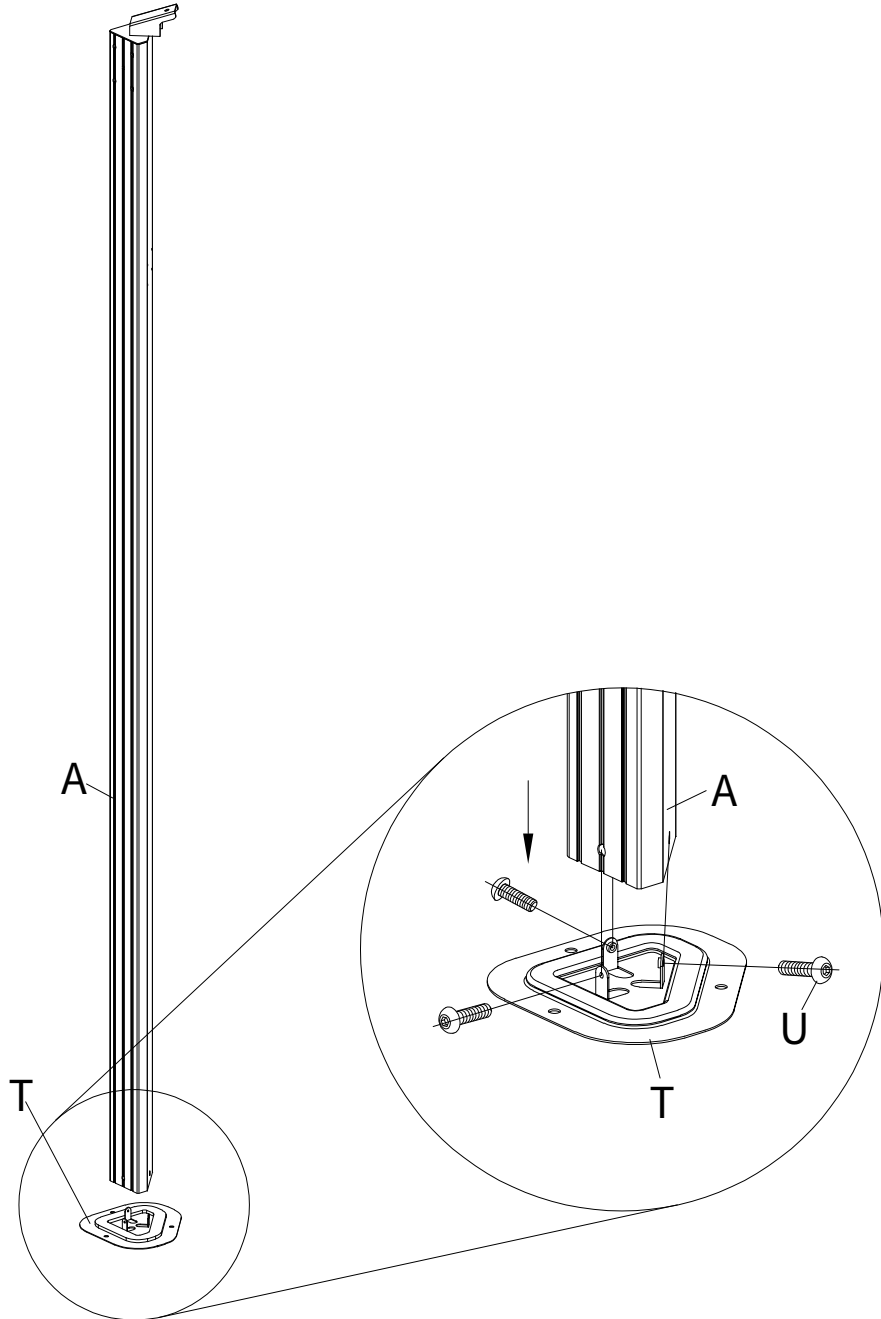


T 4x



M6x15

U 12x





(C) 4x



(C1) 4x



(G) 4x



(Y) 112x



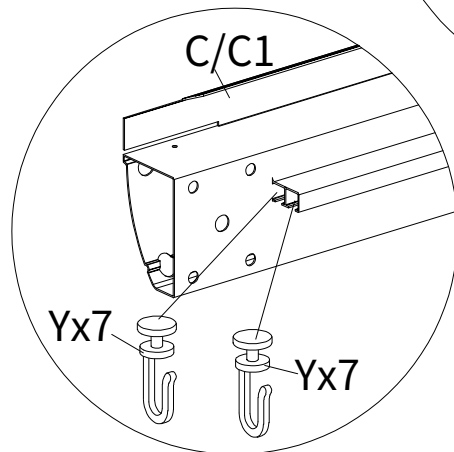
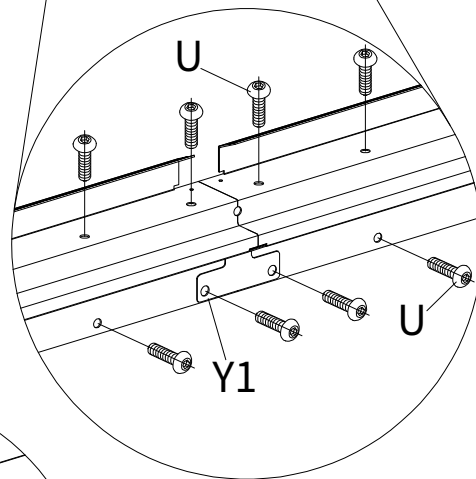
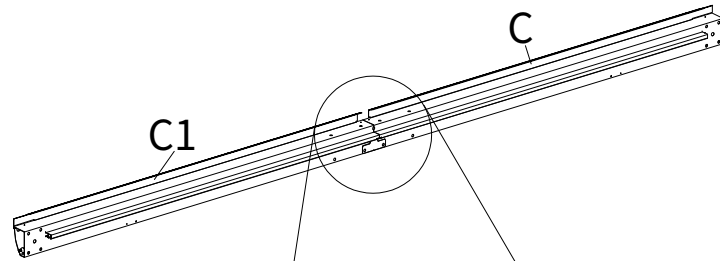
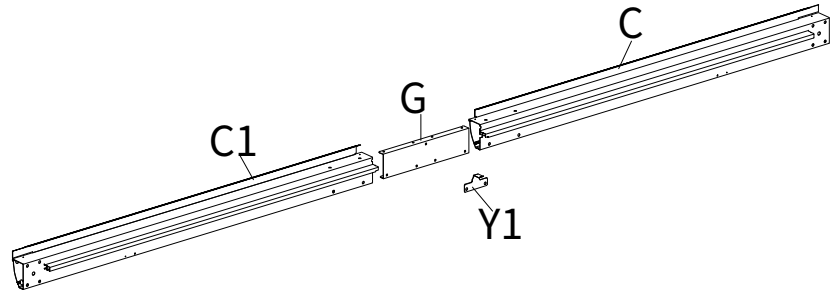
(Y1) 4x

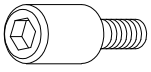


M6x15

(U) 32x

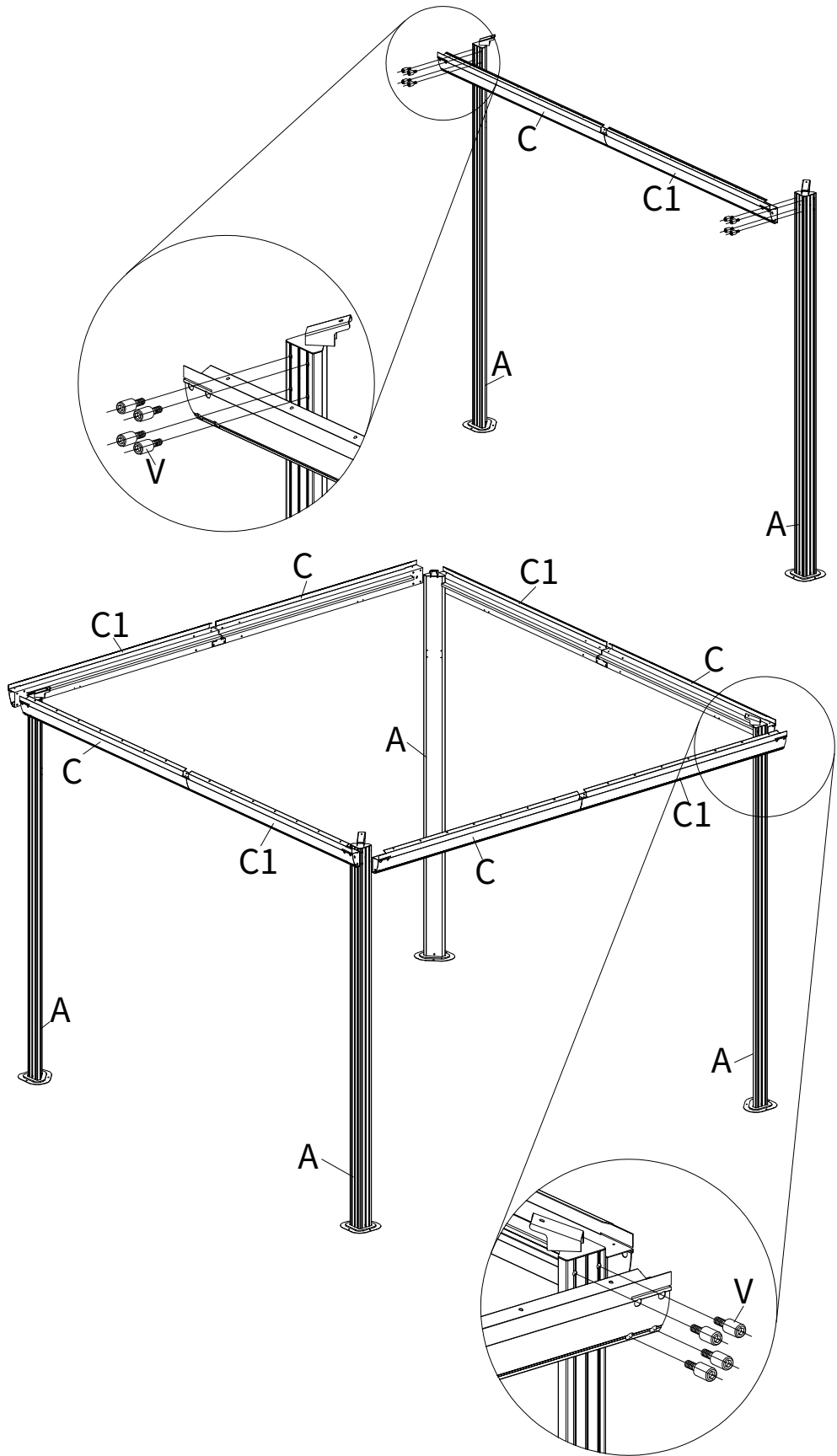
<2>





V 32x

<3>





(L) 4x



(L1) 4x

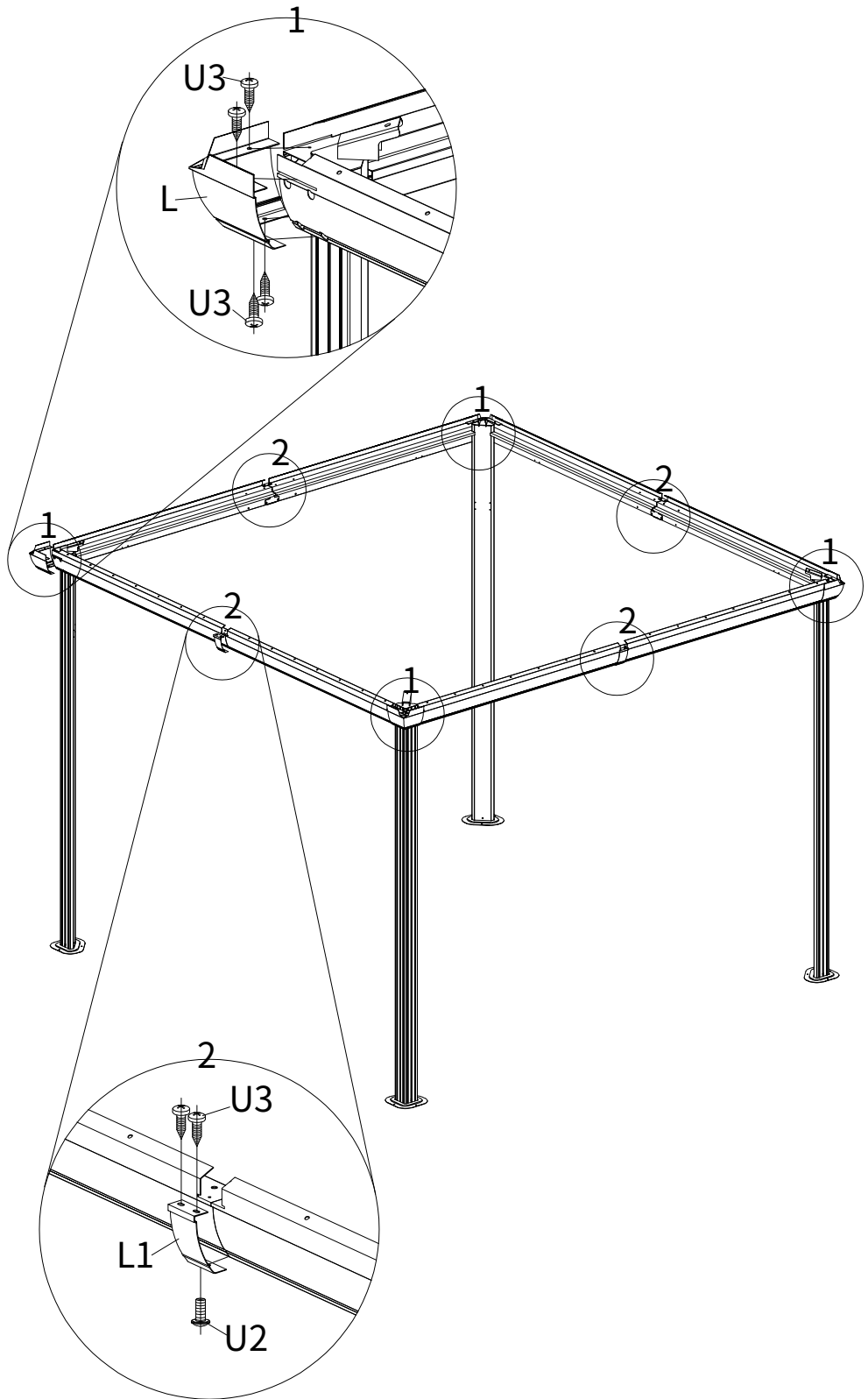


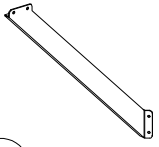
(U2) 4x M5x15



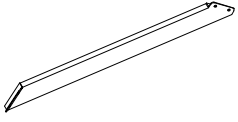
(U3) 24x St4.8x12

<4>





F 4x

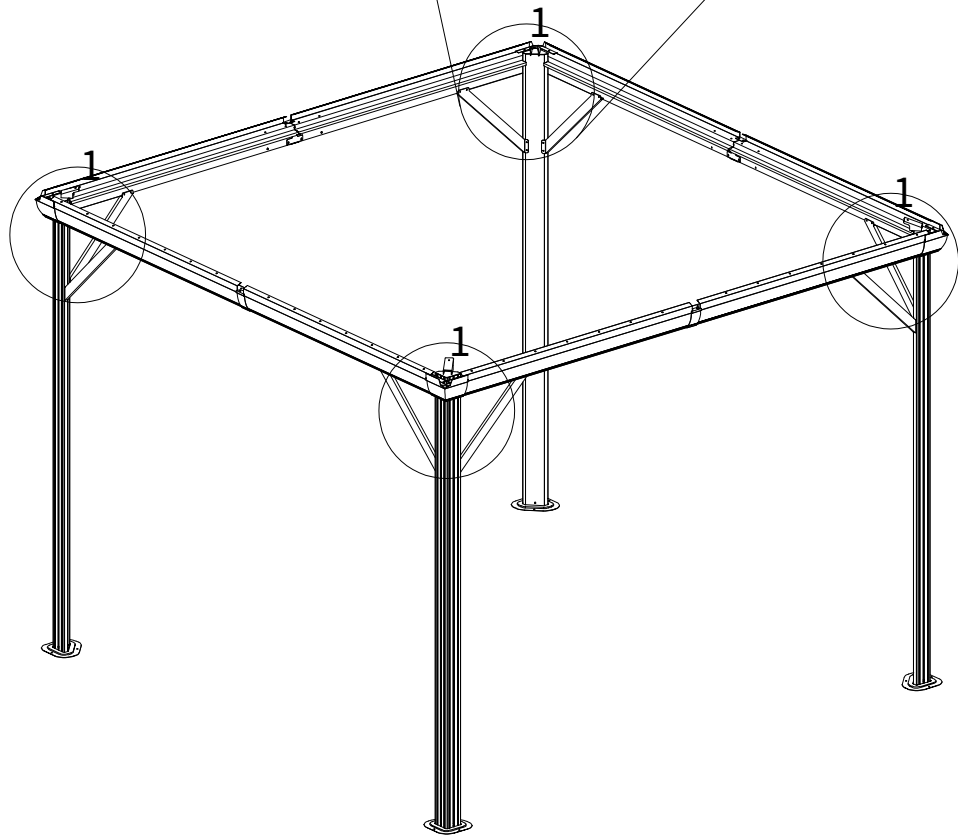
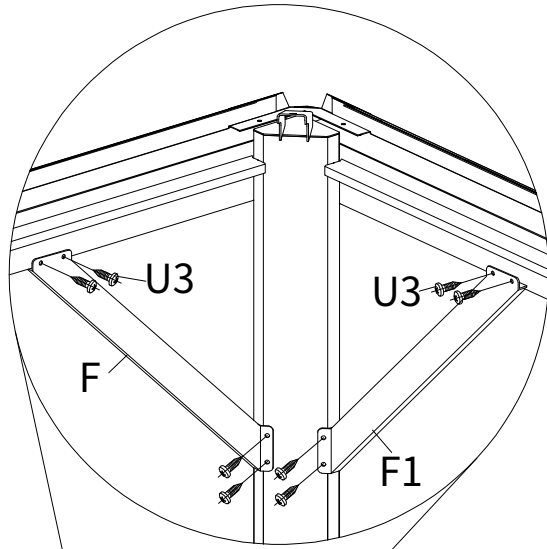


F1 4x



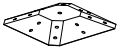
U3 32x
St4.8x12

<5>





(E) 4x



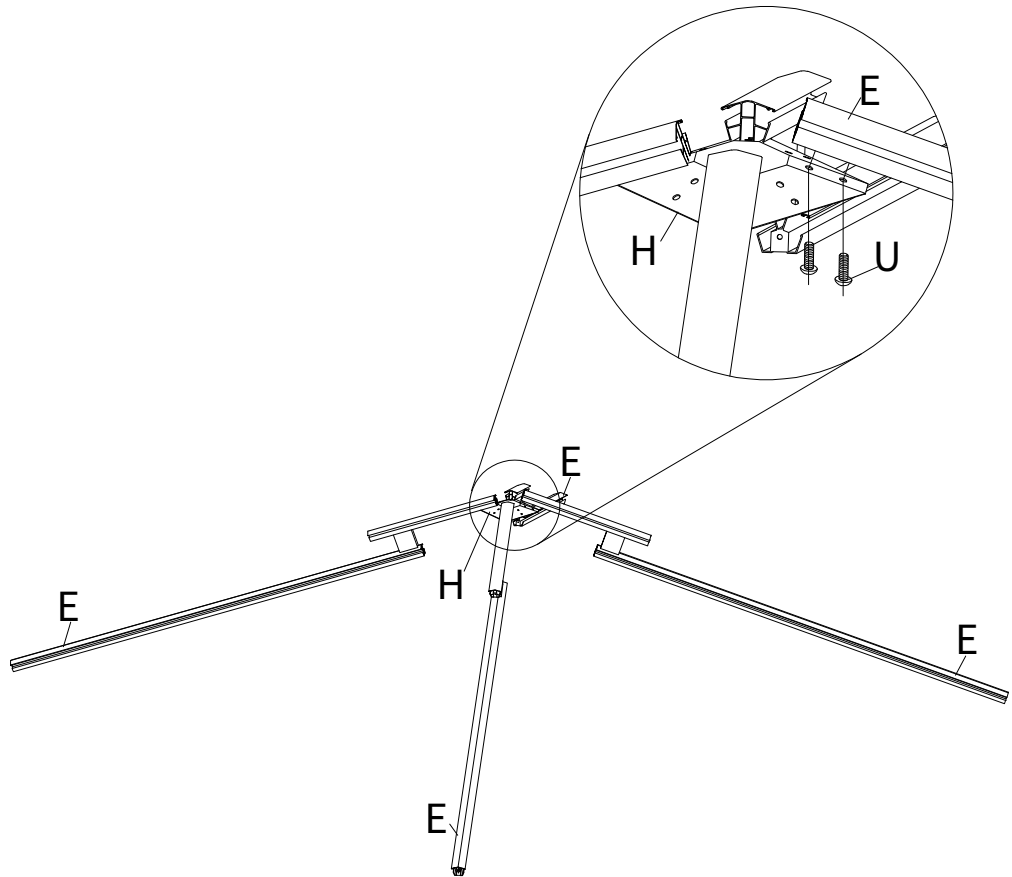
(H) 1x



M6x15

(U) 8x

<6>



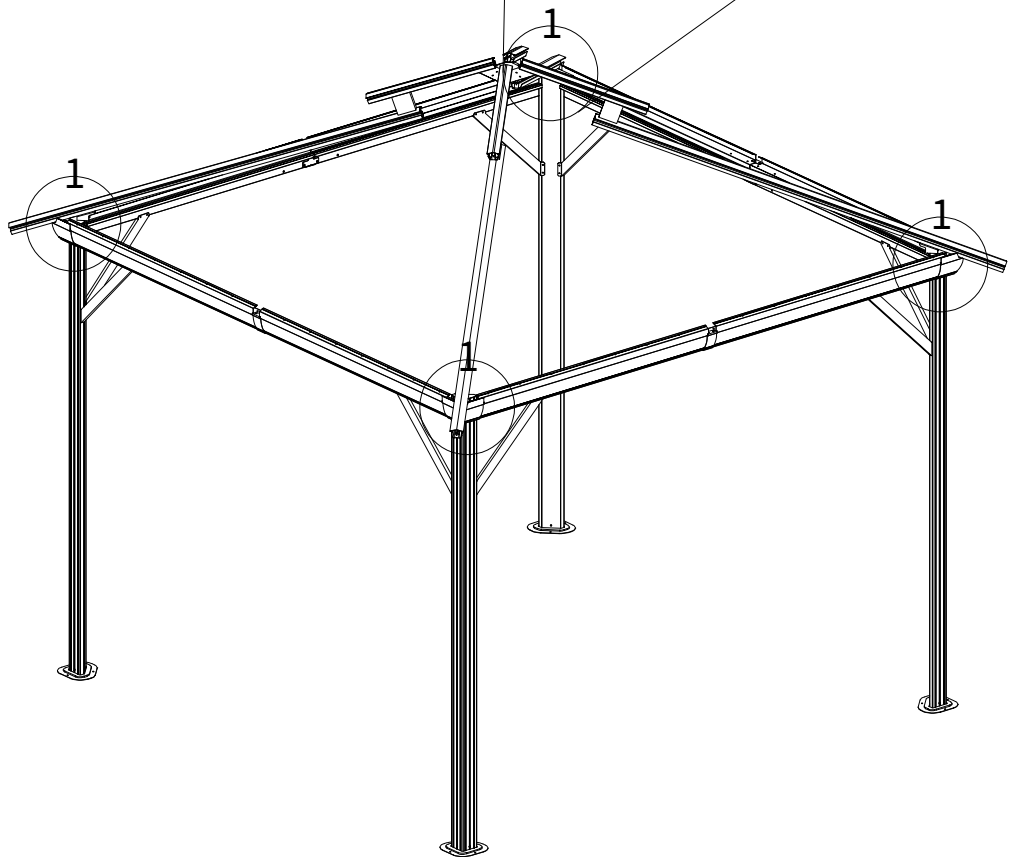
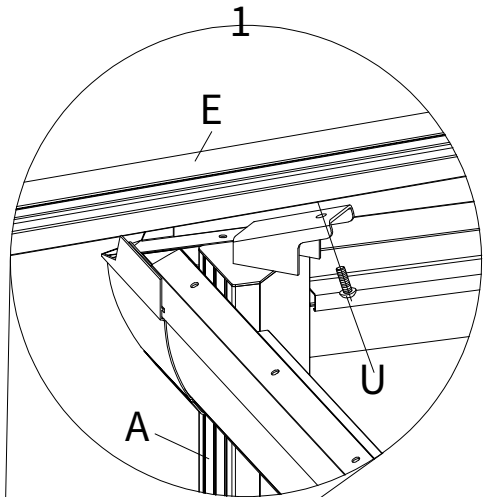


M6x15

U

4x

<7>





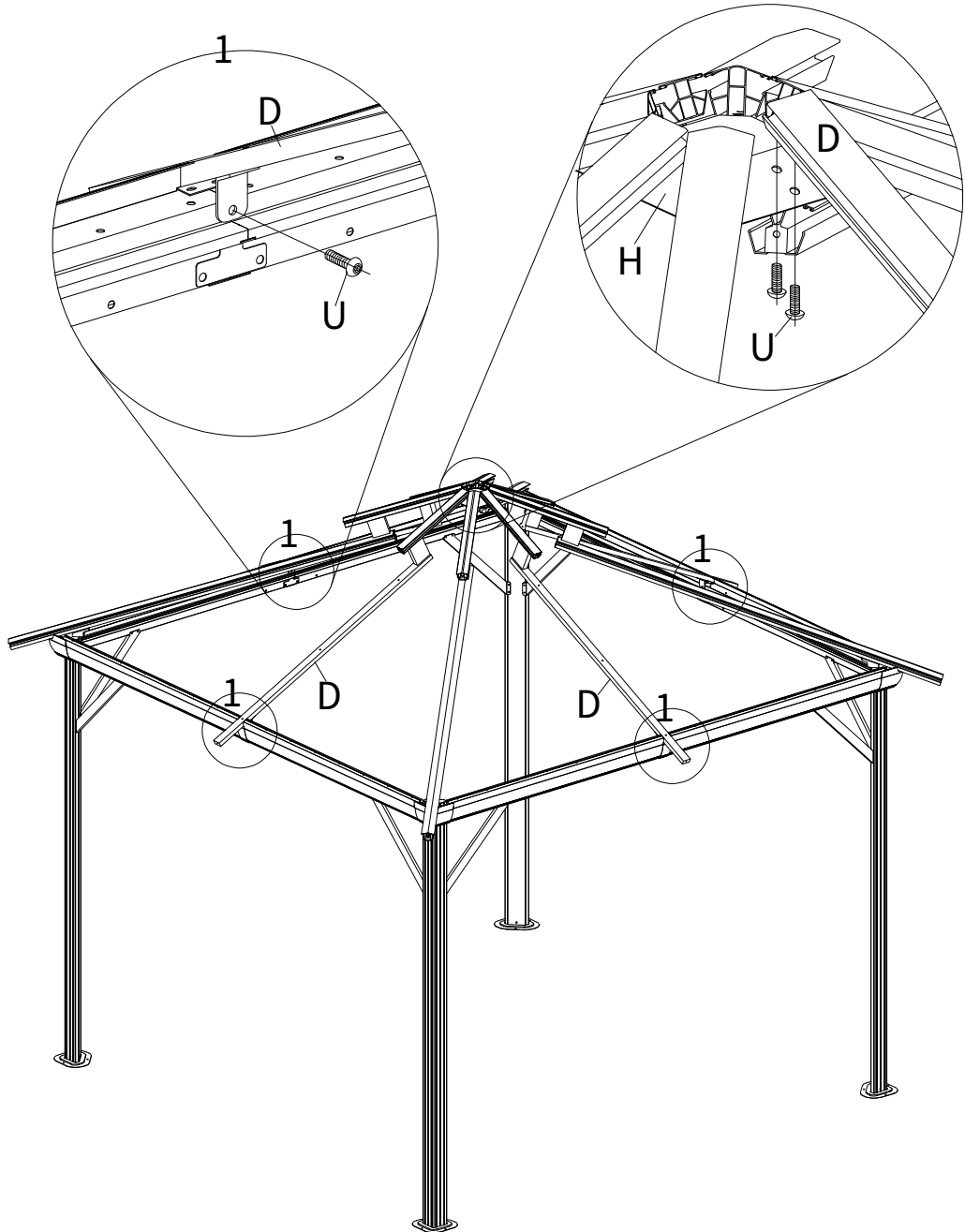
D 4x

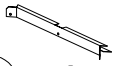


M6x15

U 12x

<8>





J1 4x



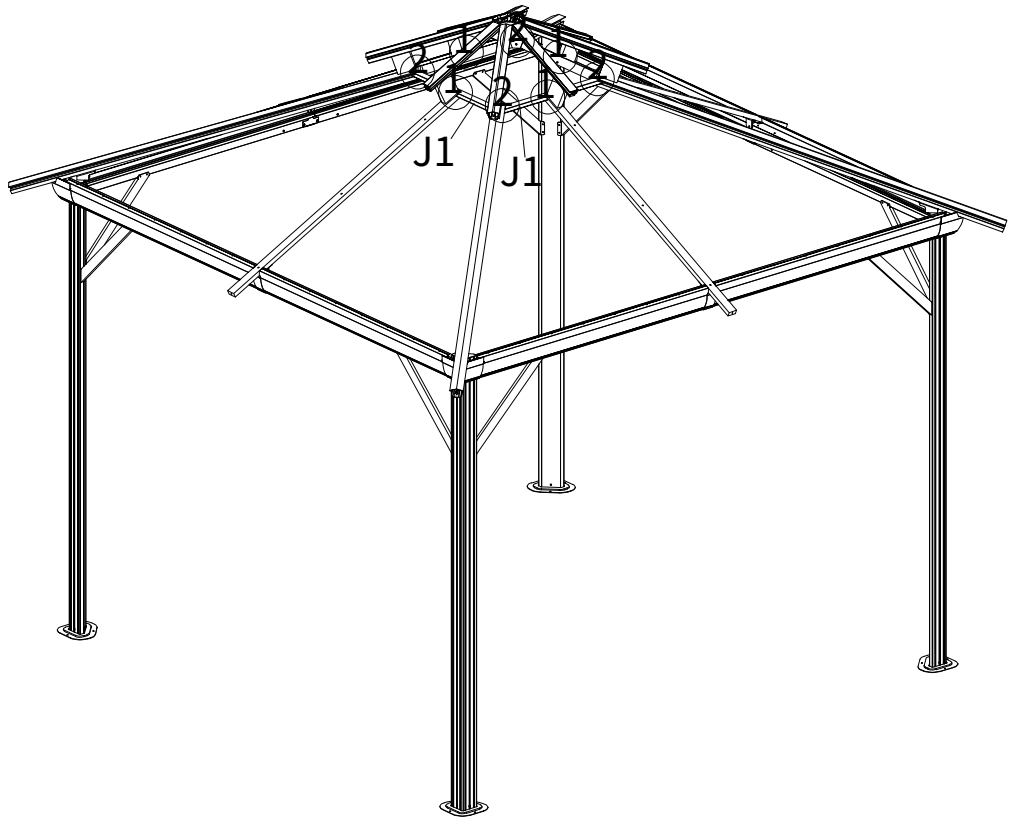
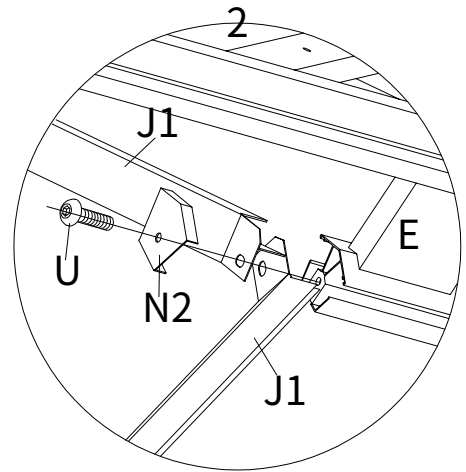
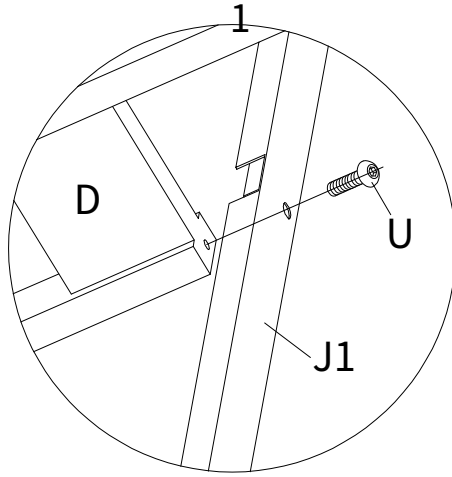
N2 4x

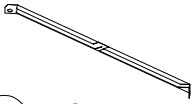


M6x15

U 8x

<9>





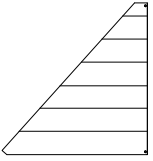
(K1) 4x



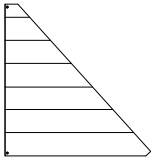
(N5) 4x



(U) 8x
M6x15

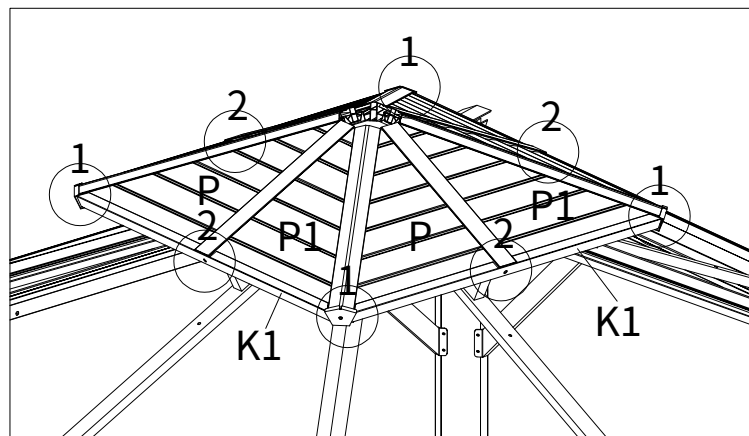
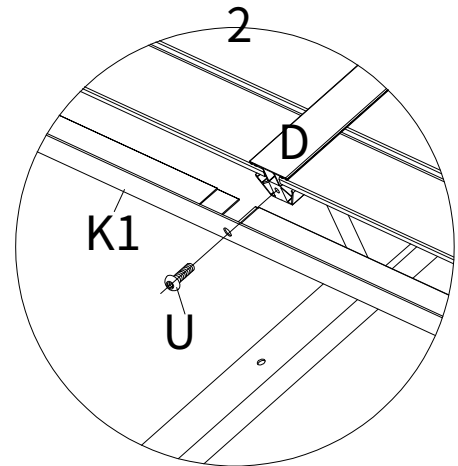
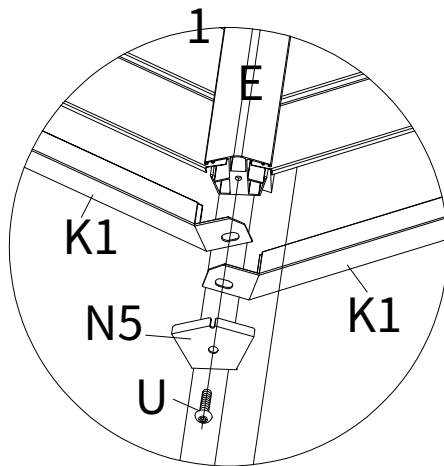
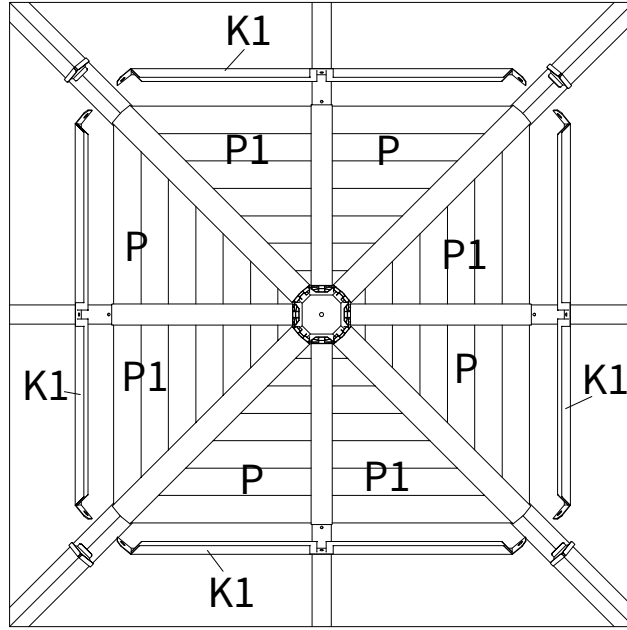


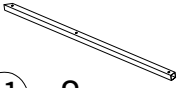
(P) 4x



(P1) 4x

<10>





I1 8x



N 4x



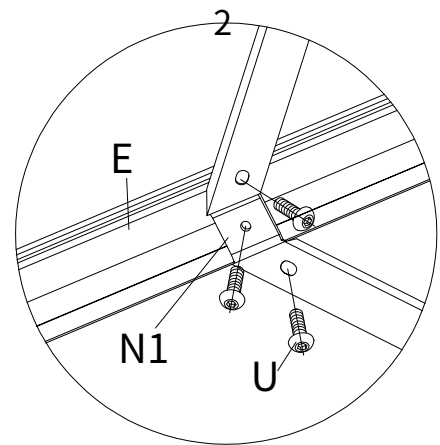
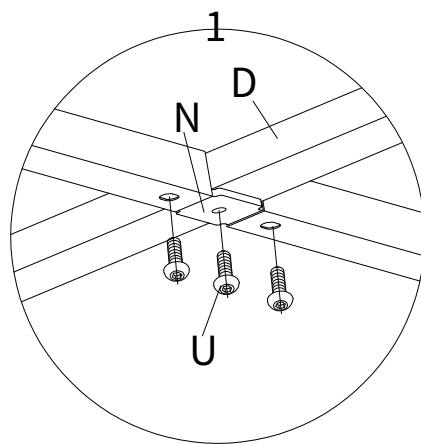
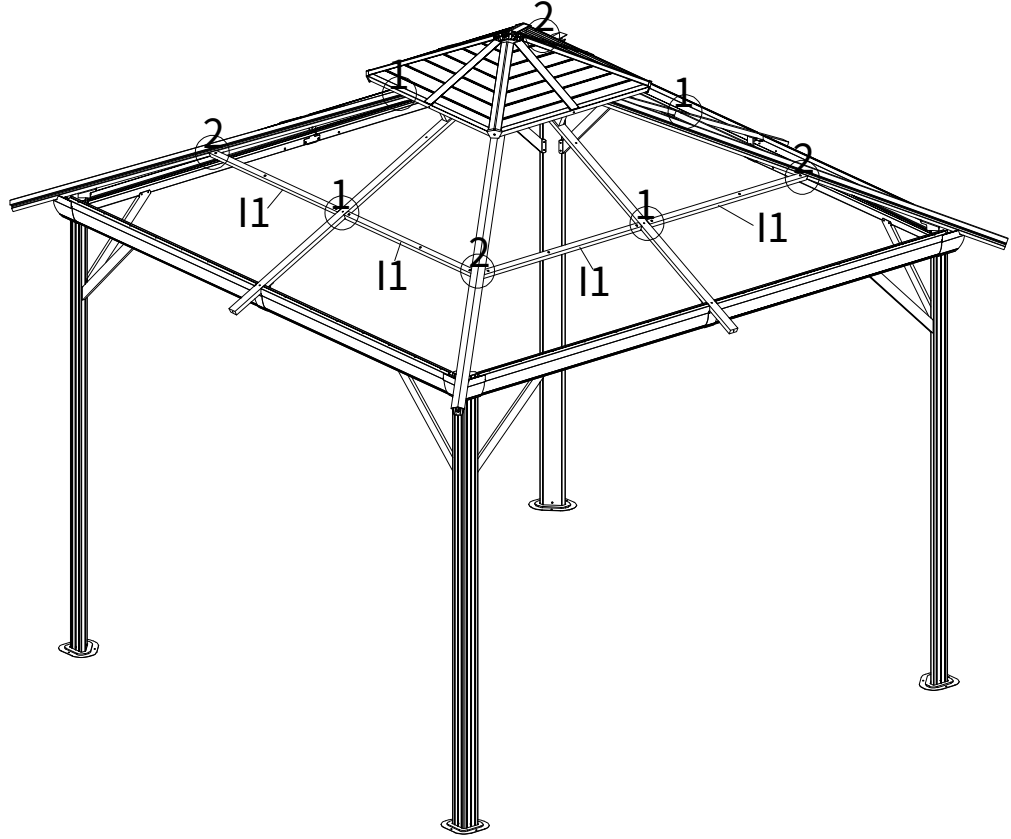
N1 4x

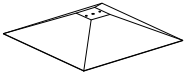


M6x15

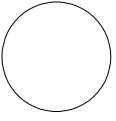
U 24x

<11>





(H1) 1x



(Y2) 1x



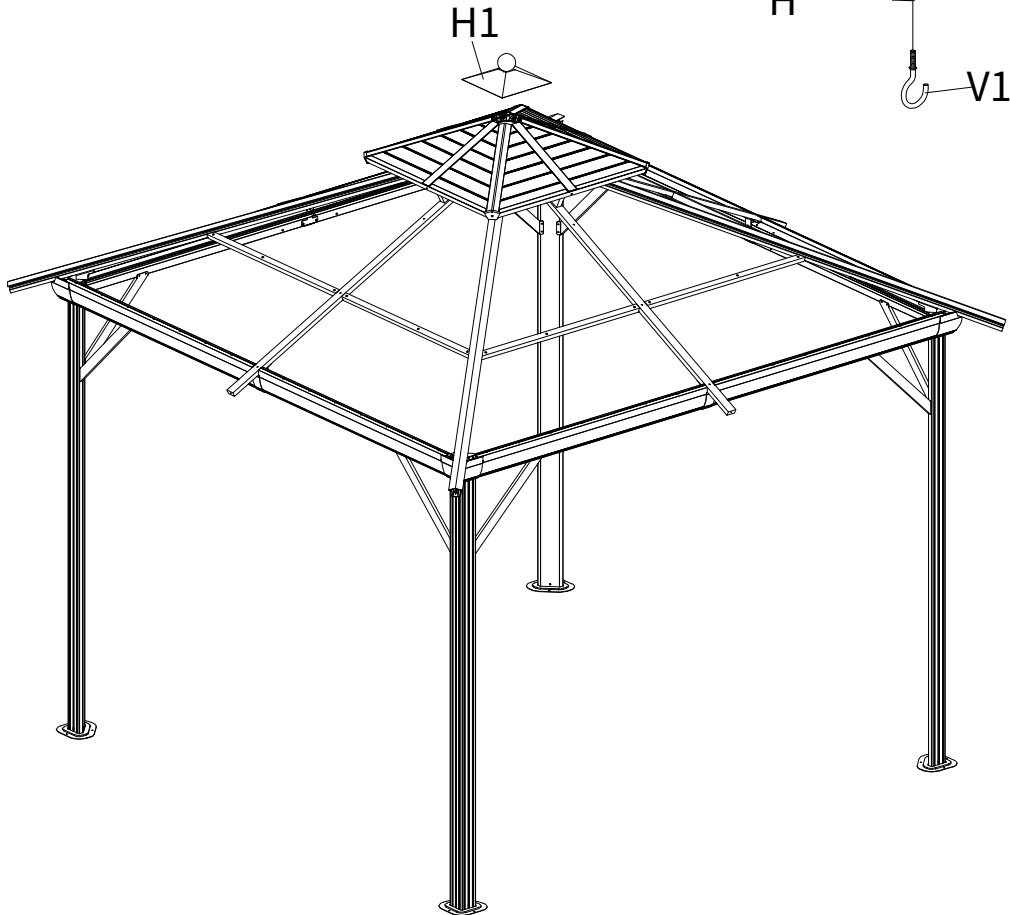
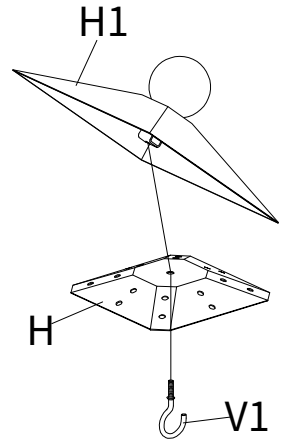
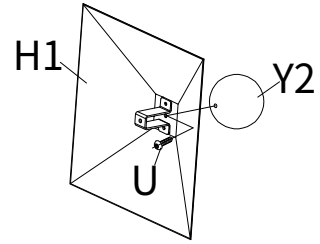
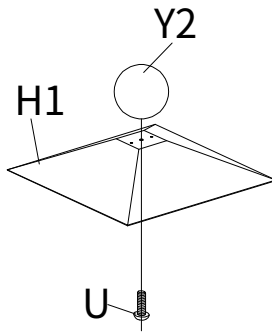
(V1) 1x



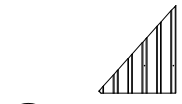
M6x15

(U) 1x

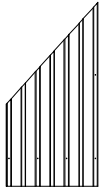
<12>



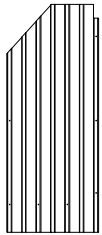
<13>



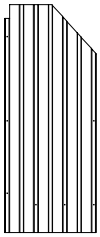
W 4x



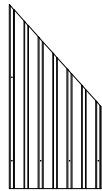
W1 4x



W2 4x



W3 4x



W4 4x



W5 4x

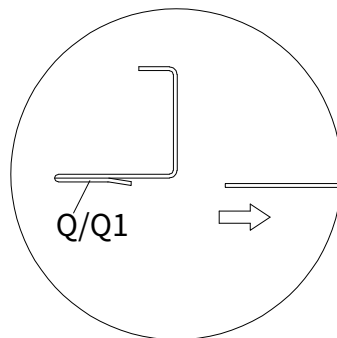
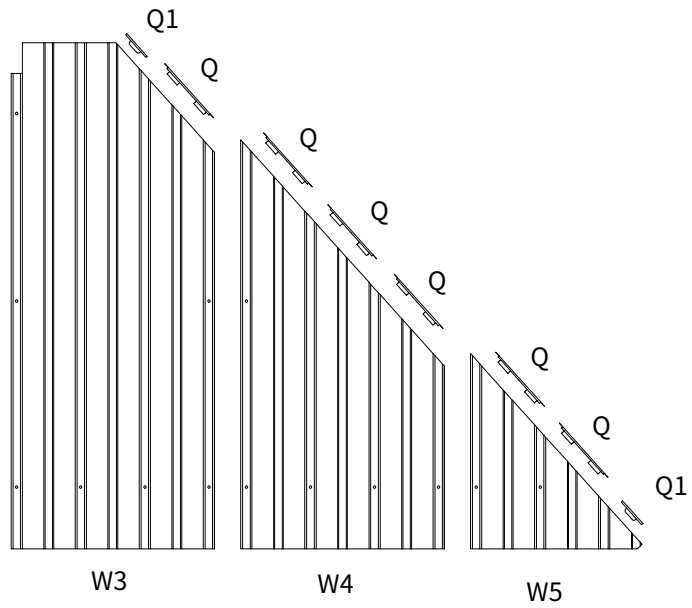
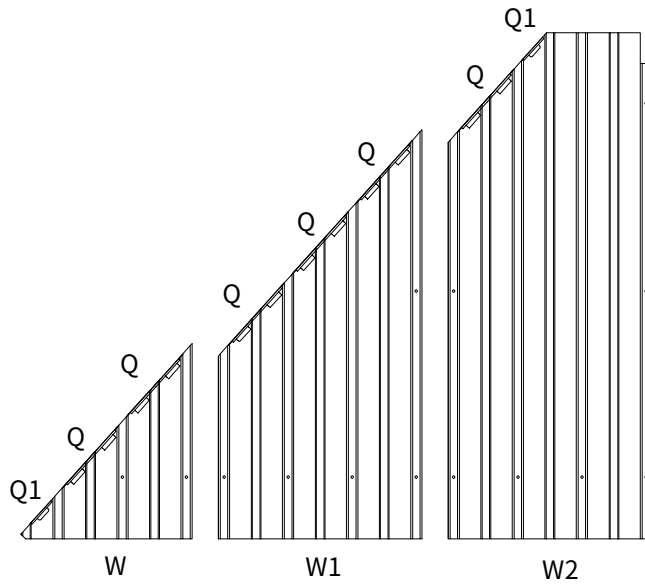


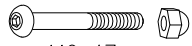
Q 48x



Q1 16x

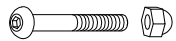
17





M6x47

(Z) 8x



M6x42

(Z1) 4x



M6x23

(Z2) 56x



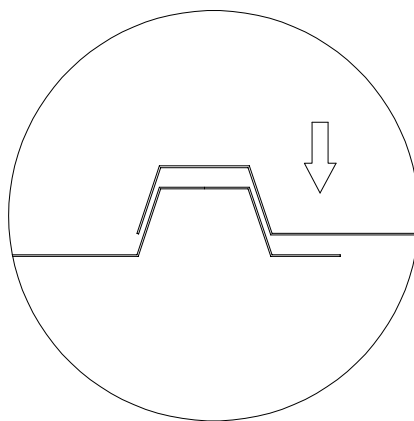
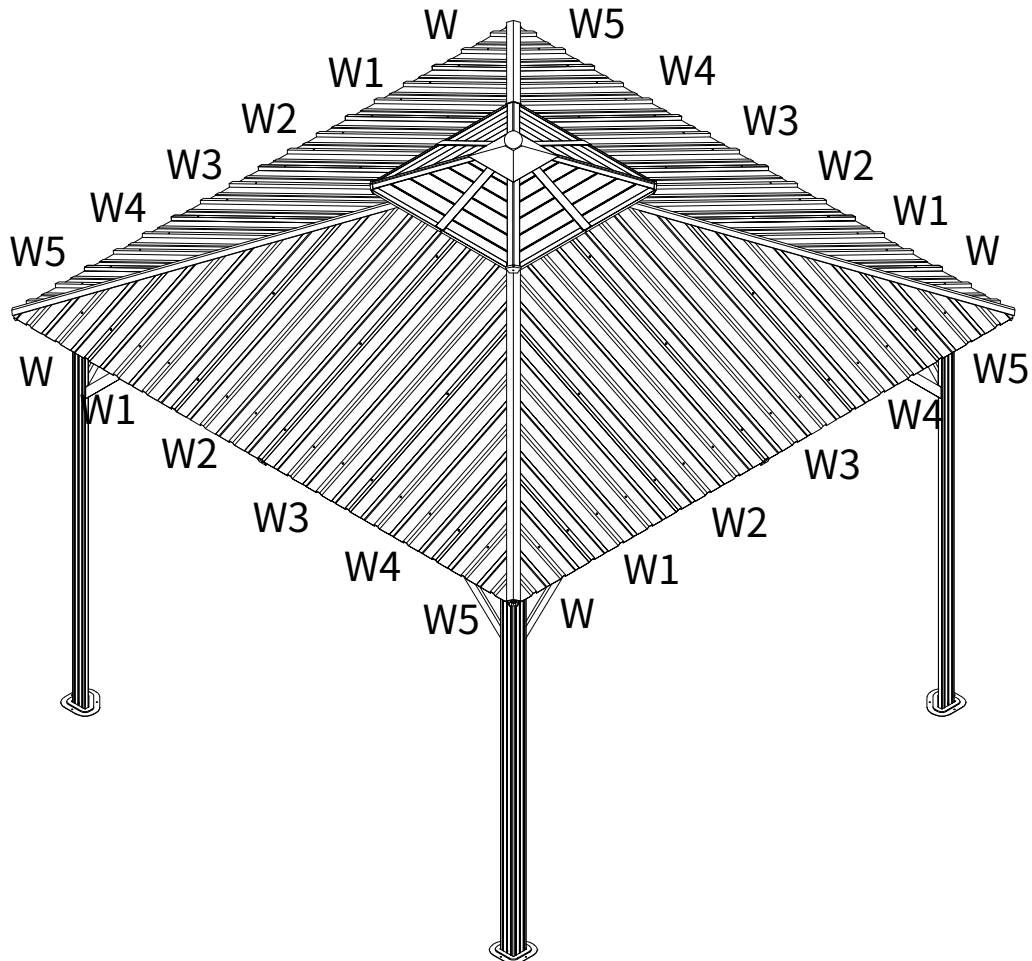
M6x23

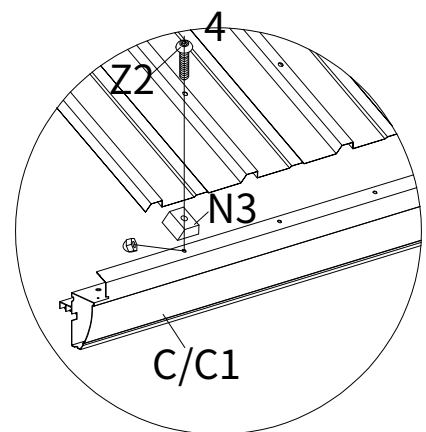
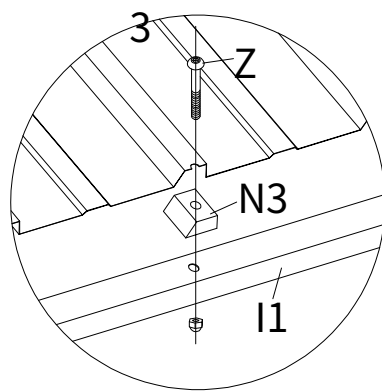
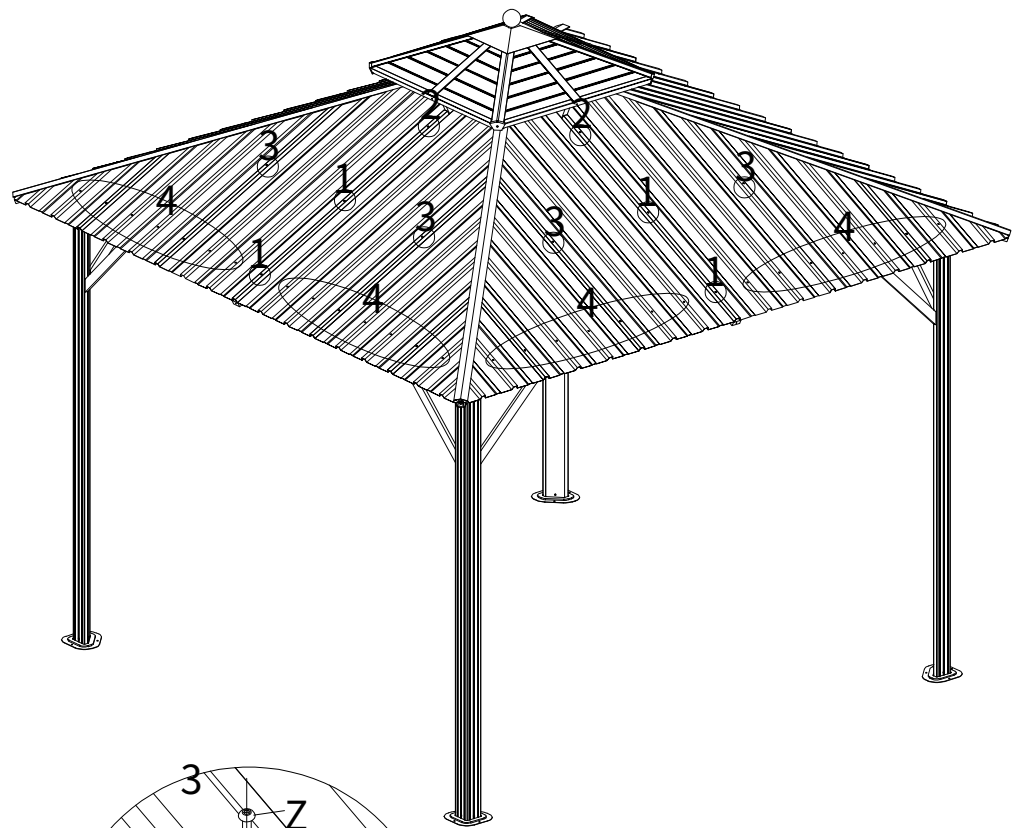
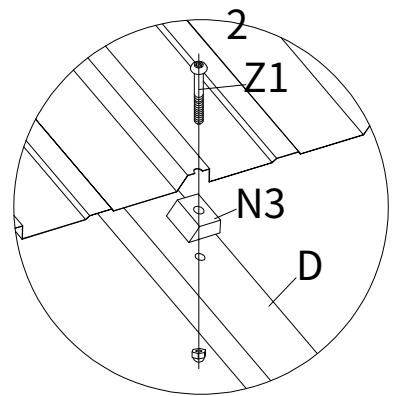
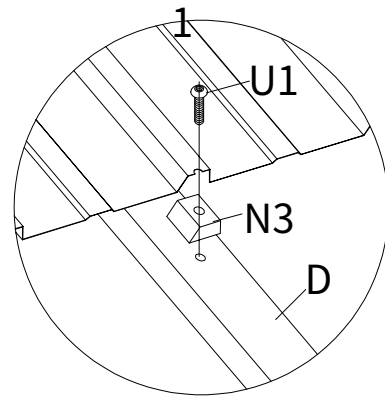
(U1) 8x



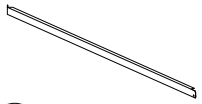
(N3) 76x

<14>

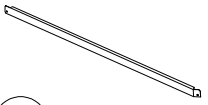




<15>



○ 4x



○1 4x



○N2 4x

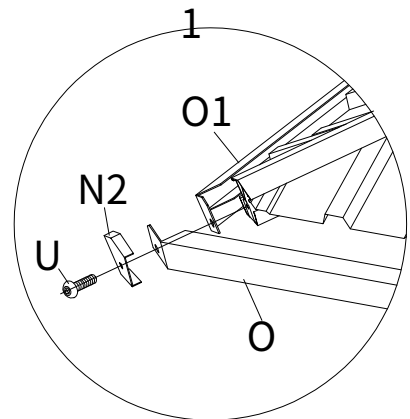
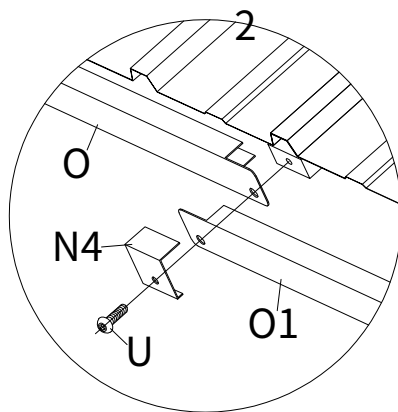
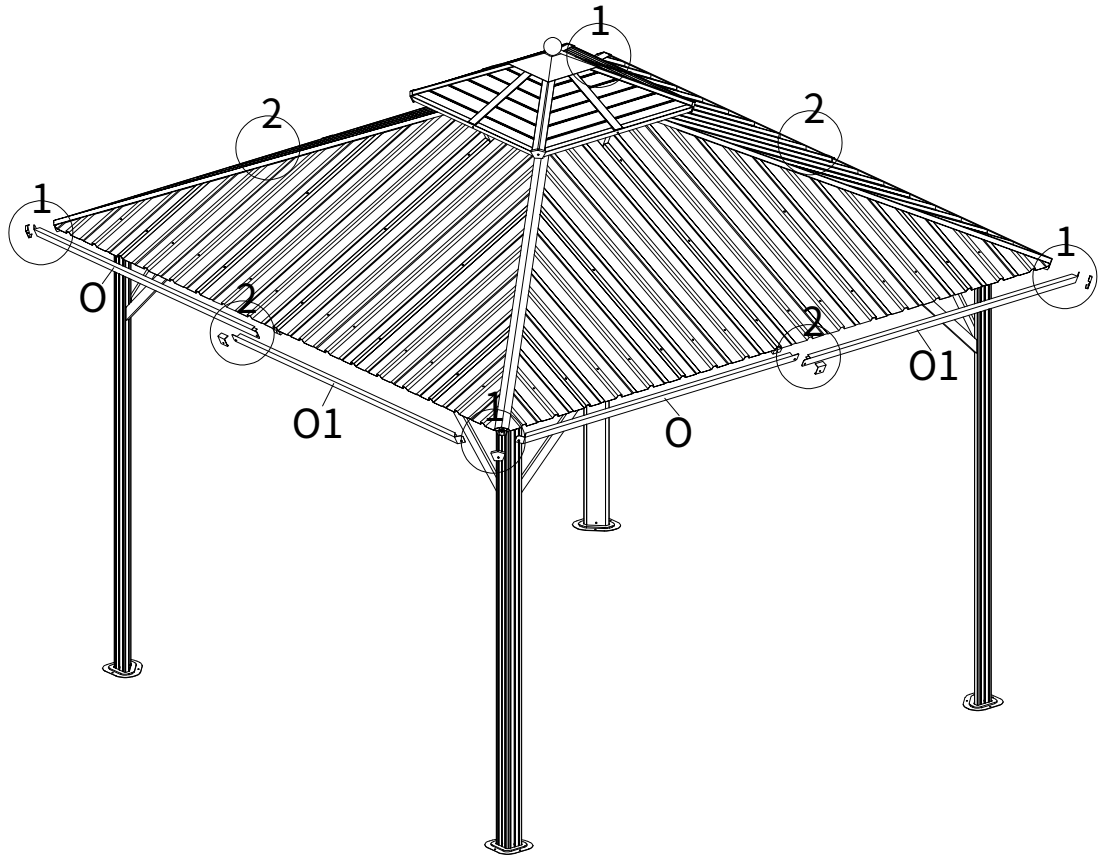


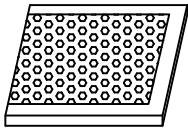
○N4 4x



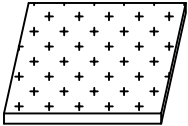
M6x15

○U 8x

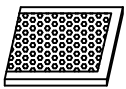




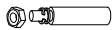
R1 4x



R2 4x



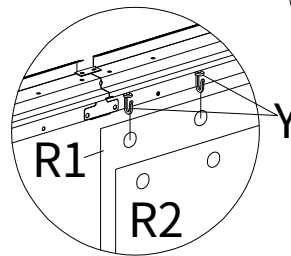
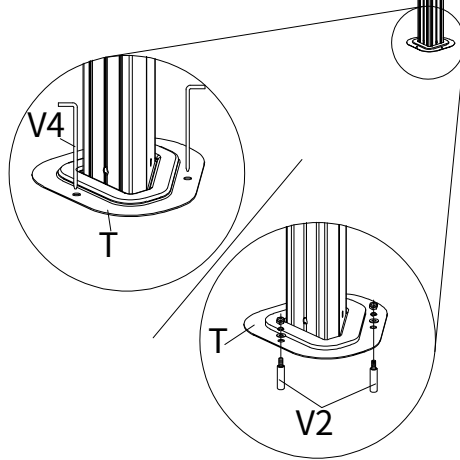
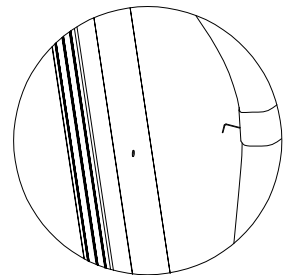
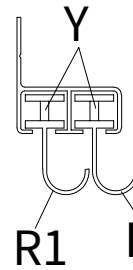
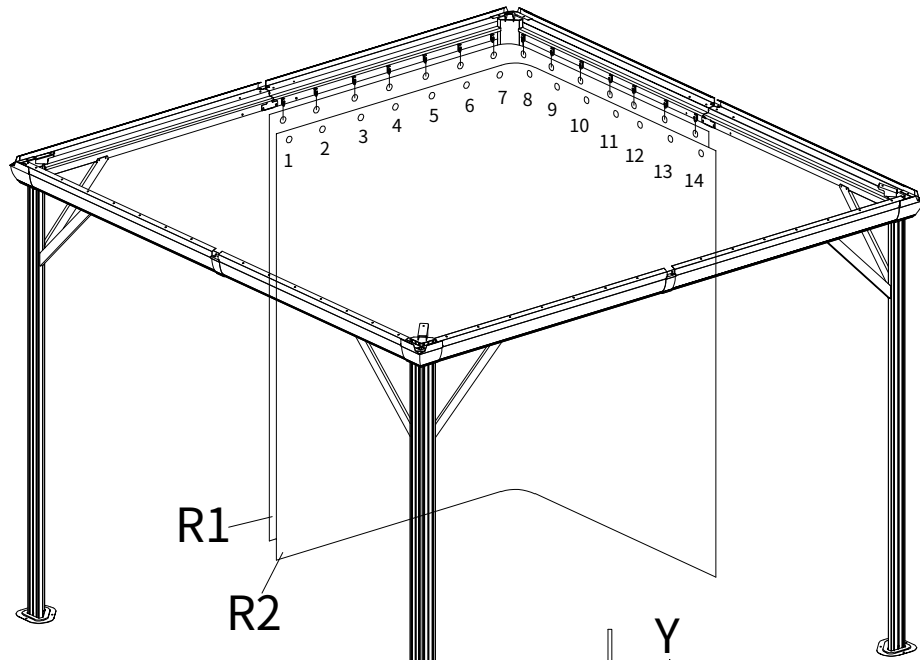
R 1x



V2 12x

V4 12x

<16>



1 2 3 4 5 6 7 8 9 10 11 12 13 14

