

Features

- Rectangular basin.
- With overflow.
- No faucet holes; requires wall- or counter-mount faucet.
- 20-1/4" (508 mm) x 14" (355 mm) x 7-1/8" (181 mm)

Material

- Vitreous china.

Installation

- Drop-in.



ADA

Codes/Standards



ASME A112.19.2/CSA B45.1
ADA
ICC/ANSI A117.1

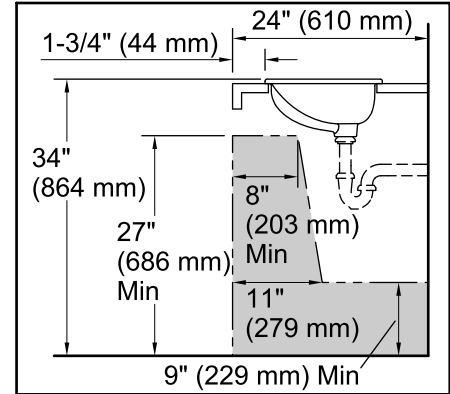
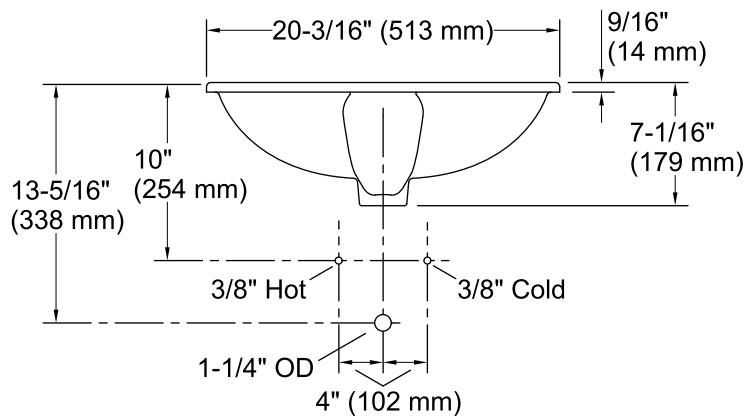
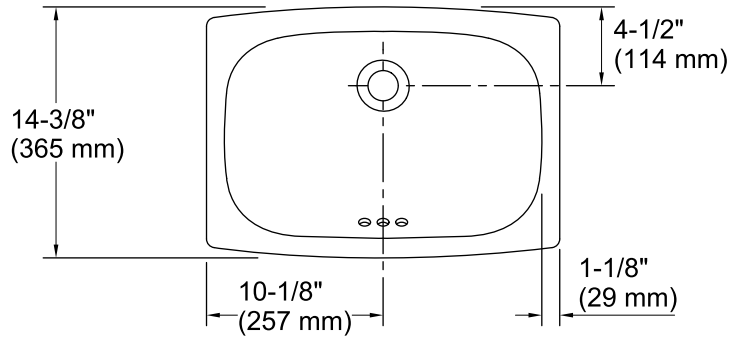
STERLING® Warranty - Toilets and Lavatories

See website for detailed warranty information.

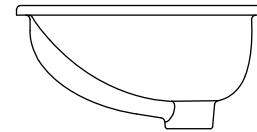
Available Color/Finishes

Color tiles intended for reference only.

Color	Code	Description
	0	White
	96	KOHLER Biscuit



Recommended ADA Installation



Technical Information

All product dimensions are nominal.

- Bowl configuration: Single
- Installation: Drop-in
- Bowl area (Only): Length: 18-3/16" (462 mm)
Width: 12-3/16" (310 mm)
Water depth: 5" (127 mm)
- Drain hole: 1-11/16" (43 mm)
- Template: 1084867-7, required, included

Notes

- Install this product according to the installation instructions.
- Measure your actual product for roughing-in details.
- ADA compliant when installed to the specific requirements of these regulations.