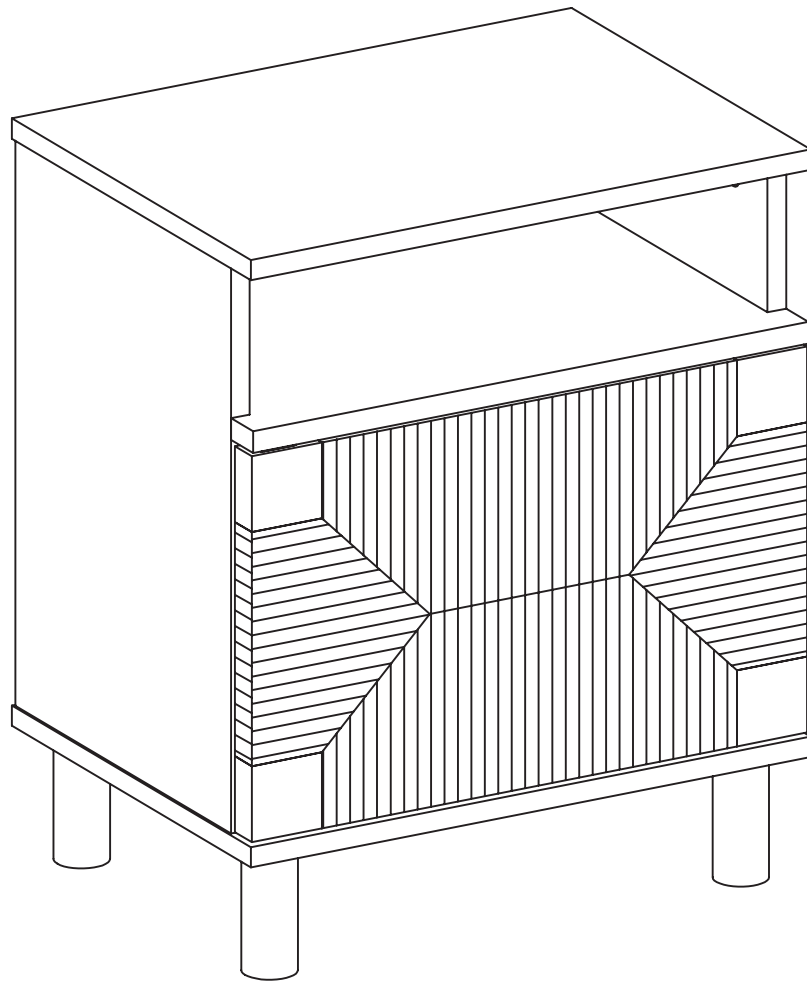


Let's build the

# Beacon Nightstand

SKU 36801



**Scan me!**

Inspiration  
Digital Instructions  
Free Lifetime Warranty

nathan james

23-0707

# Ok, let's get rolling

This should be easy, just follow our instructions and you will be back to Netflix in no time.

## Estimated time for assembly



60:00

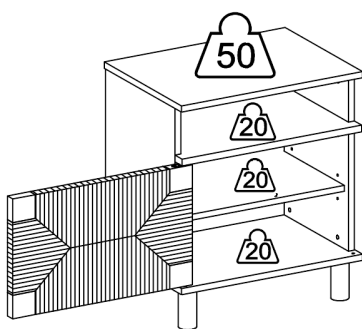
## What you need

- Some of your favorite bubbly or your preferred relaxant
- Use the packaging carton as a working surface to prevent product damage during assembly
- Phillips Head Screwdriver

Do not use a drill



## Weight Limitation



Toll-free at 1-866-619-1004  
Help@nathanjames.com  
Nathanjames.com/help

## What's included

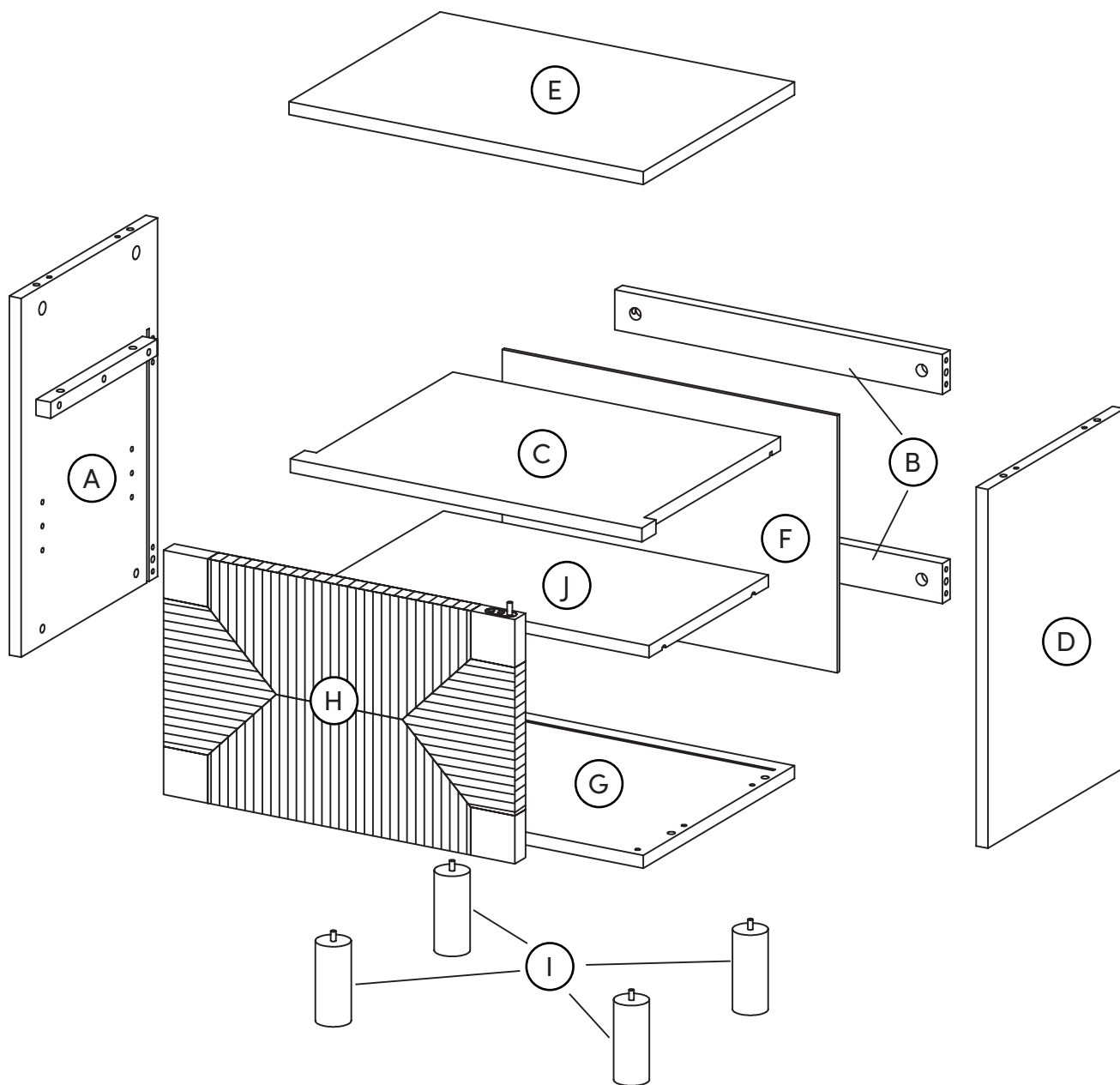
Description	Qty
A Left Side Panel	1
B Back Stretcher	2
C Open Cubby Panel	1
D Right Side Panel	1
E Top Panel	1
F Back Panel	1
G Bottom Panel	1
H Door	1
I Leg	4
J Shelf	1

Scan me!

Inspiration  
Digital Instructions  
Free Lifetime Warranty



# The goods



## IMPORTANT

1. Do not tighten bolts / screws completely until all bolts / screws are lined up and inserted into holes.
2. Do not over tighten screws and bolts to avoid stripping.
3. Please use hand tools to assemble this product. Do not use power tools.



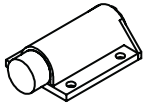
# What's included

	Description	Qty
1	Magnetic Push Latch	1
2	M3*15mm Screw	4
3	6*30mm Wooden Dowel	16
4	Cam Bolt	8
5	Cam Lock	8
6	Short Bolt 1/4 x 25mm	4
7	Long Bolt 1/4 x 38mm	4
8	Spring Washer	8
9	Flat Washer	8
10	T Nuts	4
11	Allen Key	1
12	Plastic Washer	2
13	Shelf Support Tab	4
14	Leveler (Extra)	2
15	Plastic Washer (Extra)	2



# The goods

1



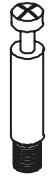
2



3



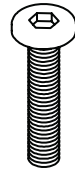
4



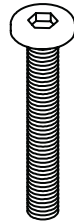
5



6



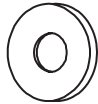
7



8



9



10



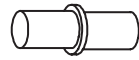
11



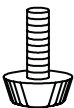
12



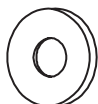
13



14



15

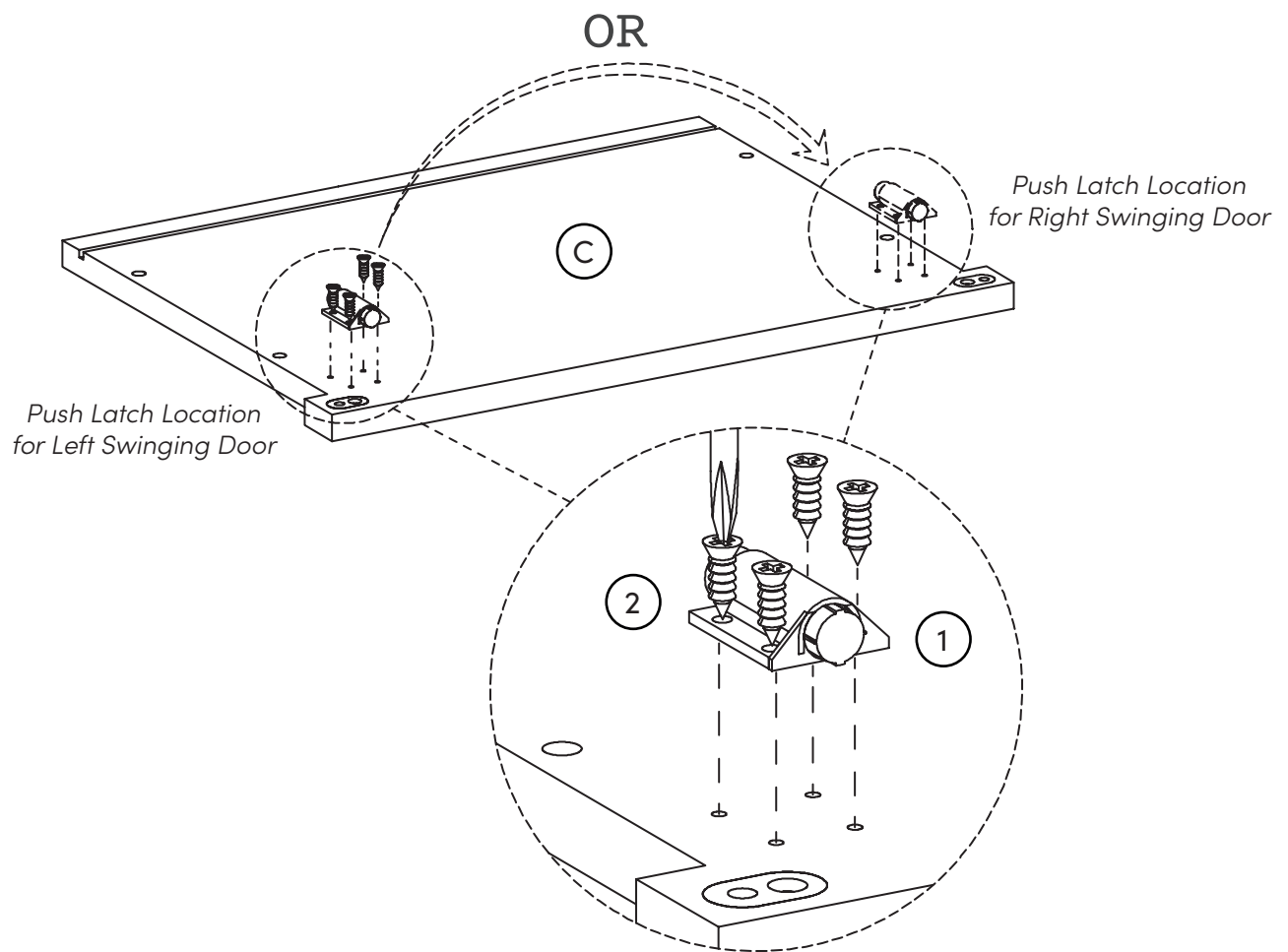


# Step 1

Let's get this thing fired up! Attach the Magnetic Push Latch (1) to the Middle Panel (C) using the M3\*15mm Screws (2).

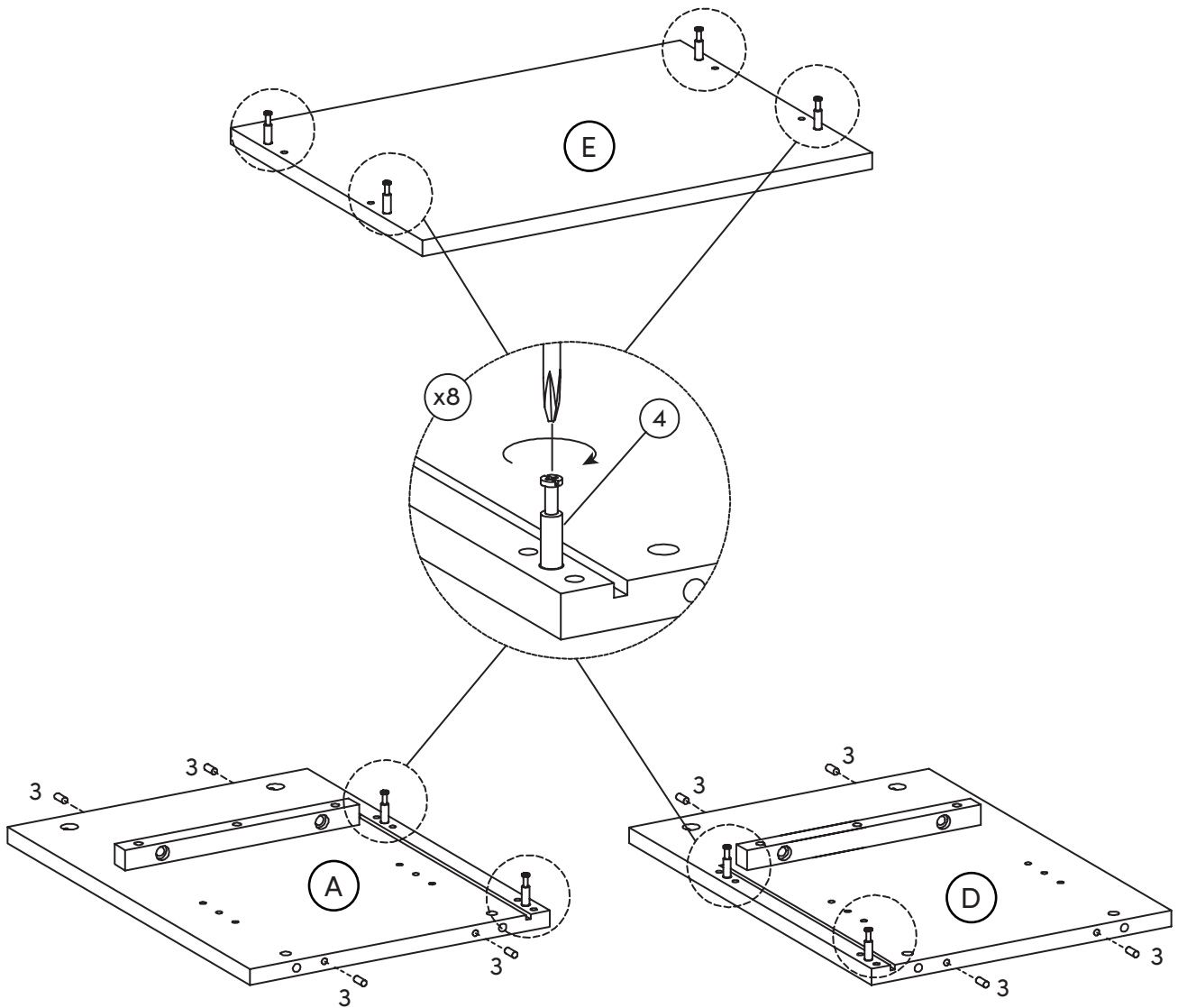
If you would like your door to open to the left once fully assembled, screw the Magnetic Push Latch (1) into the set of holes on the left side of the panel when the panel is oriented as depicted below.

If you would like your door to open to the right, screw the Magnetic Push Latch (1) into the set of holes on the right side of the panel, when the panel is oriented as depicted with the dashed lines below.



# Step 2

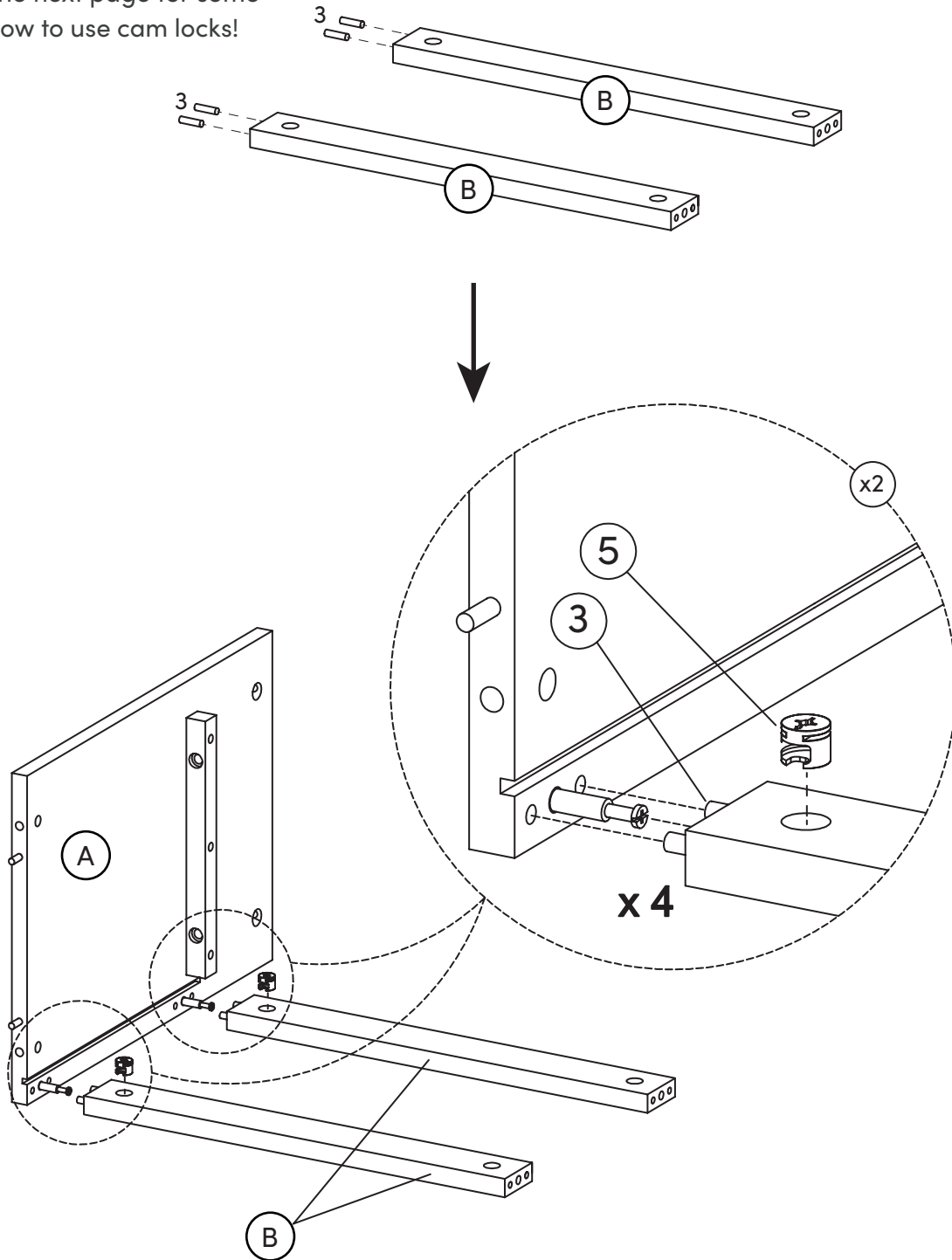
Screw in the Cam Bolts (E) to the Top Panel (E), Left Side Panel (A), and Right Side Panel (D). Push in the Wooden Dowels (3) to the Side Panels (A) and (D).



# Step 3

Secure the Back Stretchers (B) onto the Left Side Panel (A) using the Cam Locks and Cam Bolts (5).

Turn to the next page for some tips on how to use cam locks!



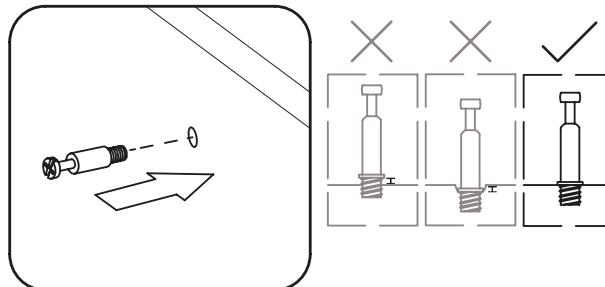
# How to use cam locks

Did you know?

Cam locks are used to join two panels together, usually the edge of one to the flat side of another.

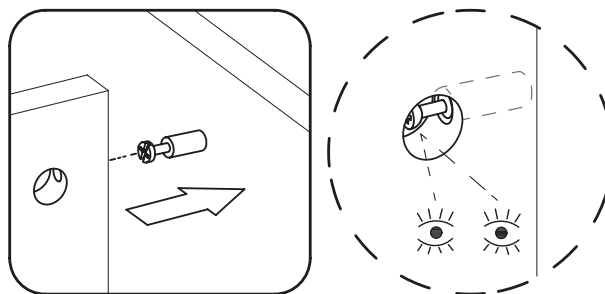
First, your cam bolt (or cam pin) will need to be properly inserted into the flat side of the board.

Important Note: Only tighten the cam bolt until it is secure. Do not over-tighten.



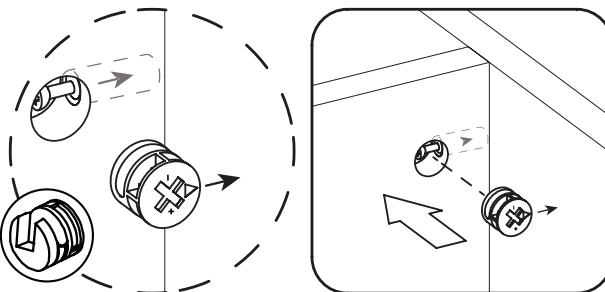
Next, you will fit the proper hole on the edge of the associated joining panel over the cam bolt.

Important Note: When installed properly, the head of the cam bolt will be visible through the larger hole on the side of the joining panel.



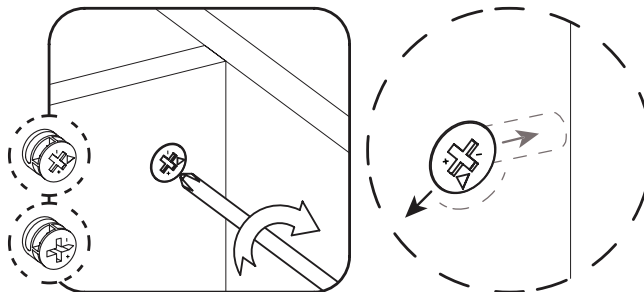
Next, you will notice the cam lock has a "C" shaped back. Commonly, an arrow on the front of the cam lock points in the same direction as the open section on back.

Using these as your cue, insert the cam lock into the large hole so the opening of the "C" fits over the head of the cam bolt.



Using a screwdriver, you will turn the cam lock until it stops, usually between 130° or 180°. You will feel the panels pulling closer until they are secured.

Important Note: Only turn the cam lock until the panels are fully engaged & feel secure. Turning too far may lead to hardware failure.



Still having issues?

If a cam lock seems to be spinning in place or is not "catching" or pulling the panels together as expected, first remove the cam lock & try again while making sure that everything is properly positioned & oriented.

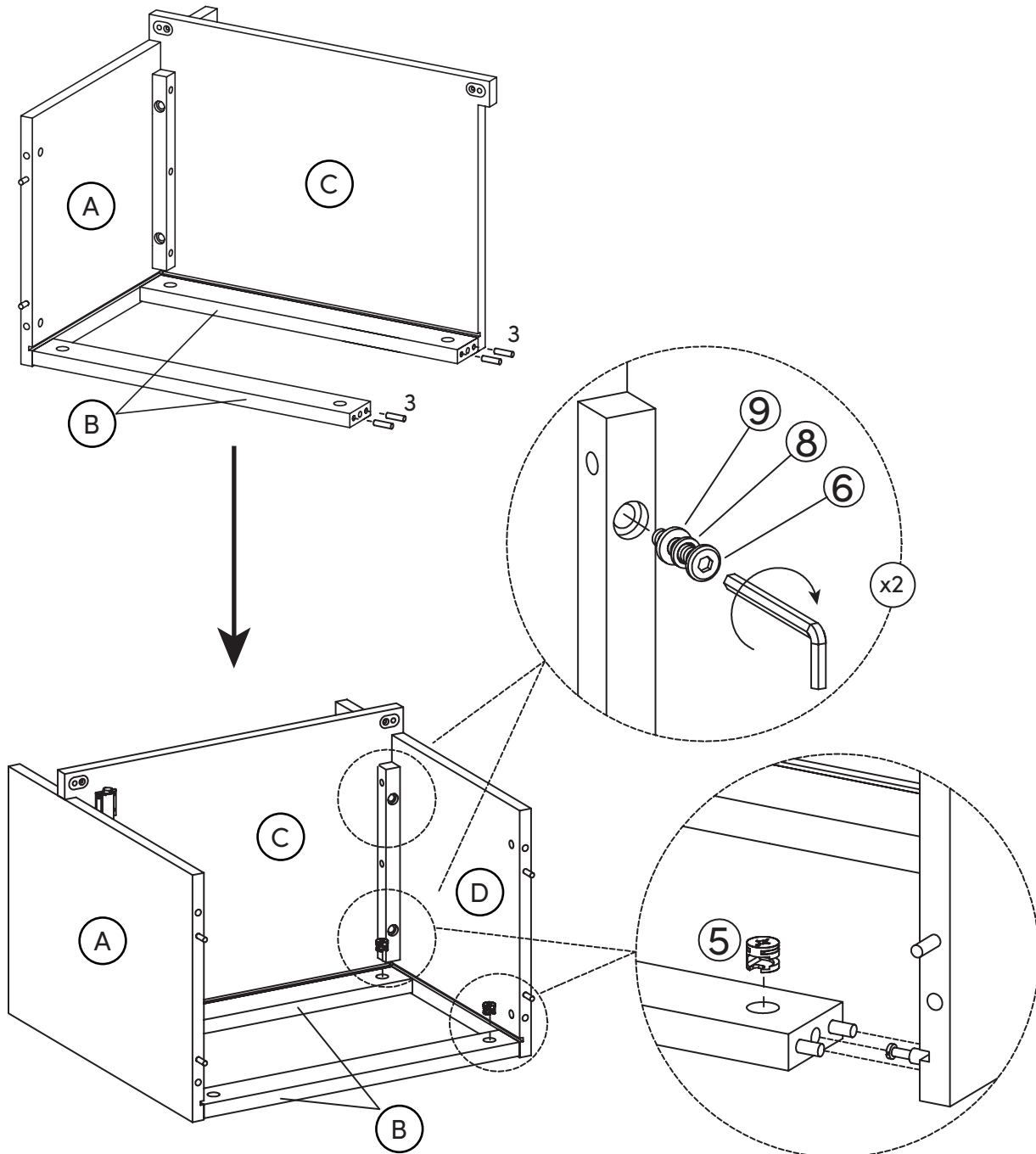
If you are still having issues getting things working as expected, first remove the cam lock then unscrew the cam bolt slightly (less than 1 complete turn) to see if that helps with the alignment of the cam lock & bolt.





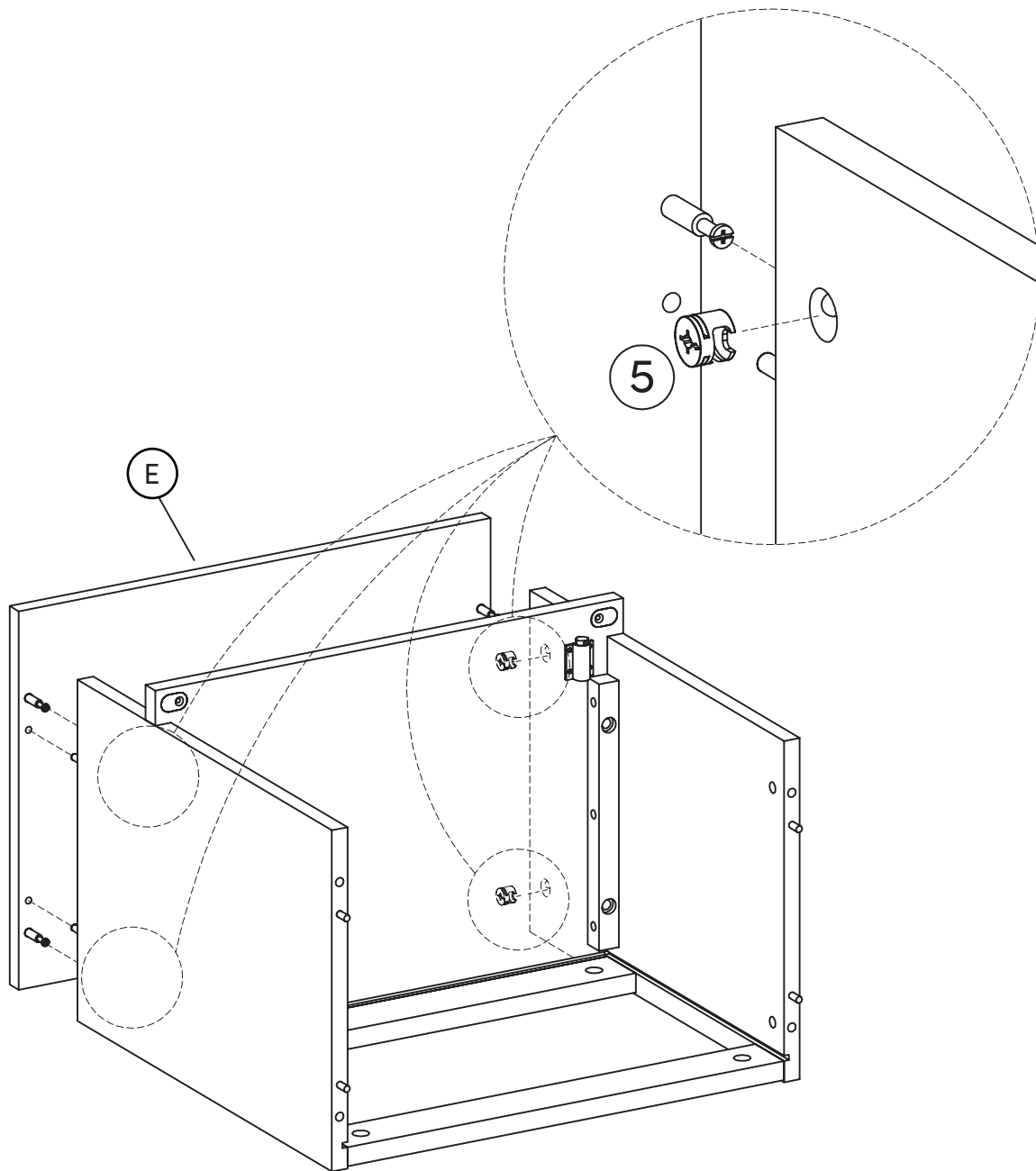
# Step 5

Place four Wooden Dowels (3) into the open ends of the Back Stretchers (B) and then secure the Right Side Panel (D) to the Open Cubby Panel (C).



# Step 6

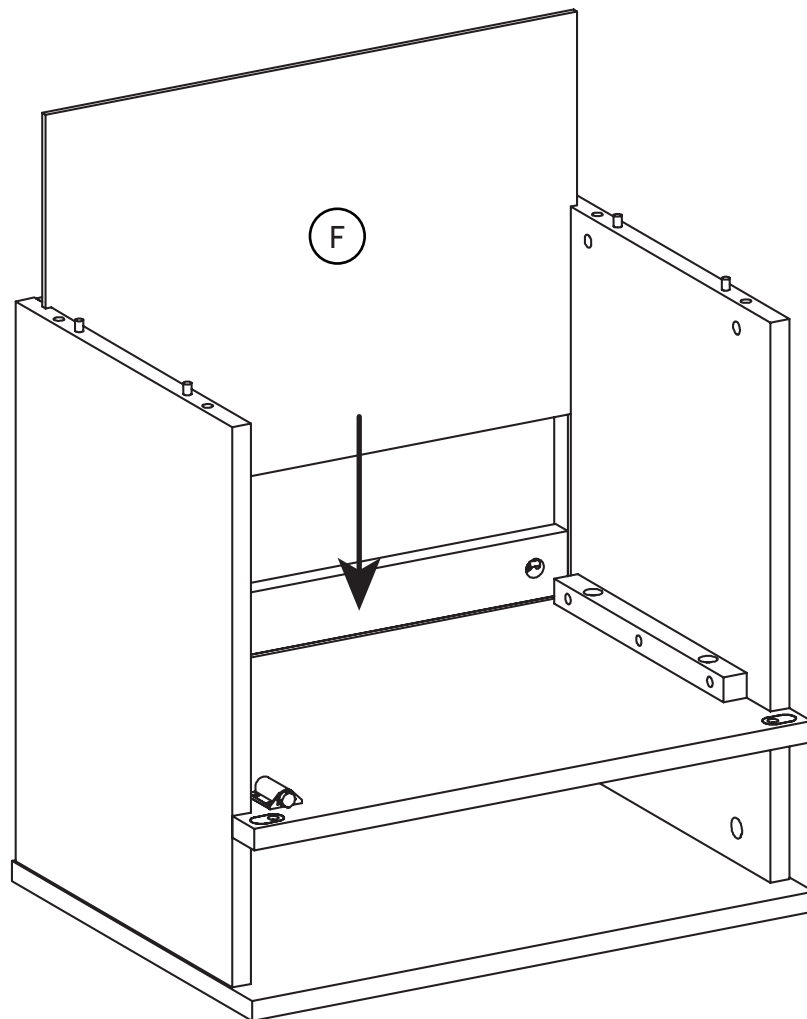
Attach the Top Panel (E) from Step 2 to the unit you've put together so far, securing with the Cam Locks (5).



# Step 7

You're doing great! This would be a great step to grab a snack... chips and salsa, anyone?

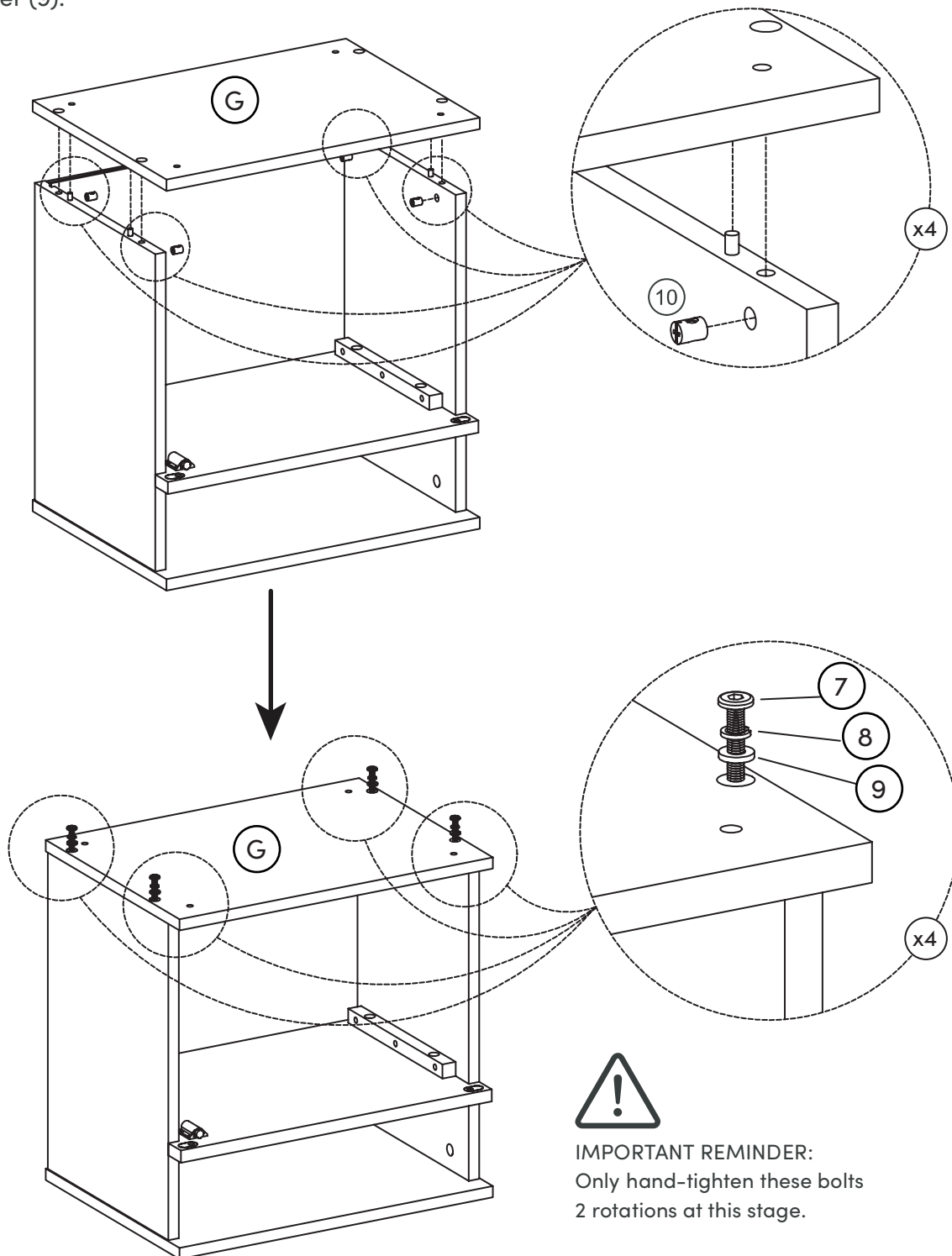
Bottoms up! Carefully flip the side table upside down and slide in the Back Panel (F).



# Step 8

How is that salsa tasting?

Lay the Bottom Panel (G) on top of the upside-down side table and match up the holes with the wooden dowels. Place four T nuts (10) in the holes depicted below and then secure the Bottom Panel (G) using the Long Bolt 1/4 x 38mm (7), Spring Washer (8), and Flat Washer (9).

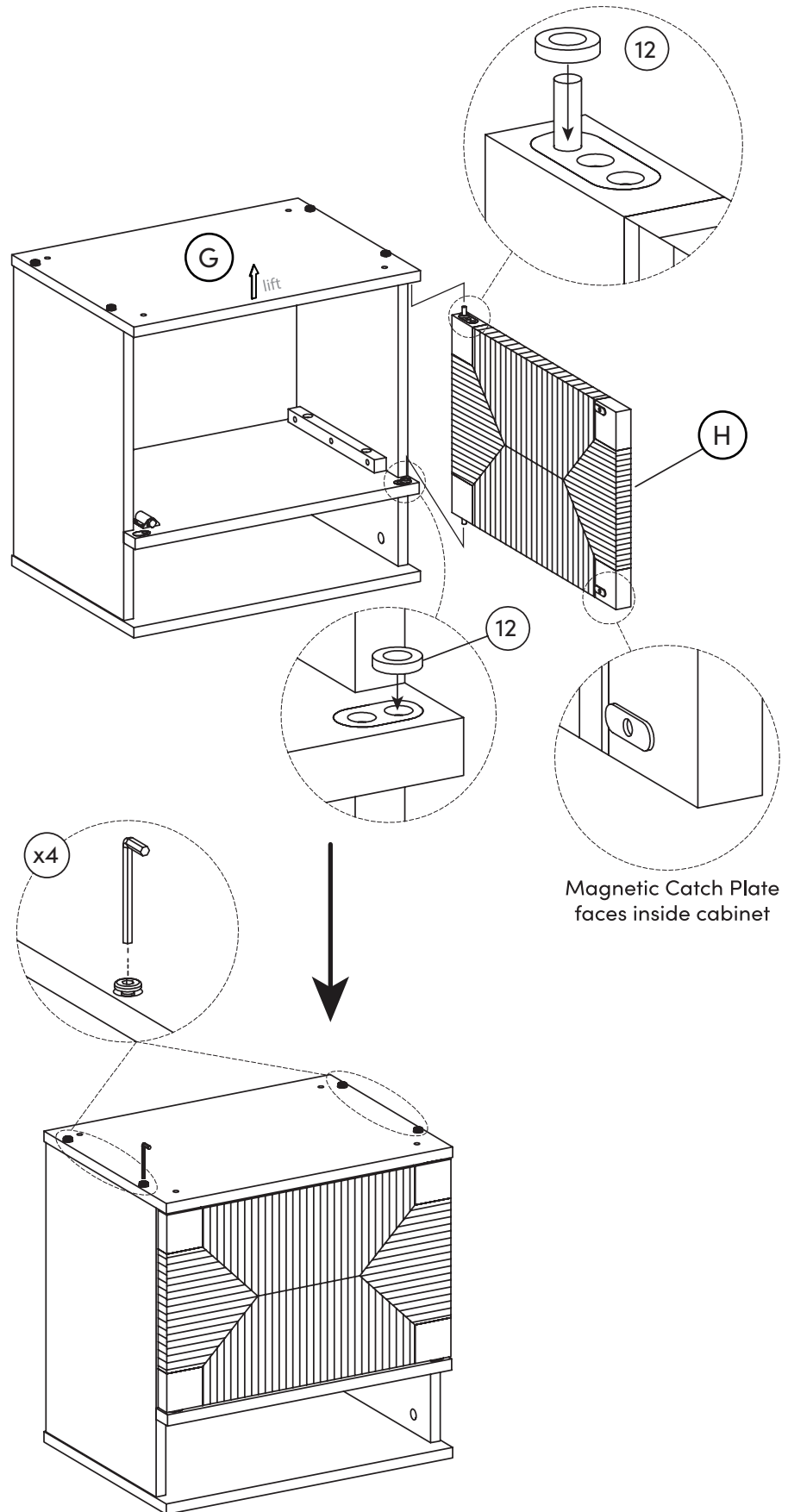


# Step 9

Let's get the door installed!  
Decide whether you want the door to open facing left or right and then make sure the Magnetic Catch Plate faces the inside of the cabinet.

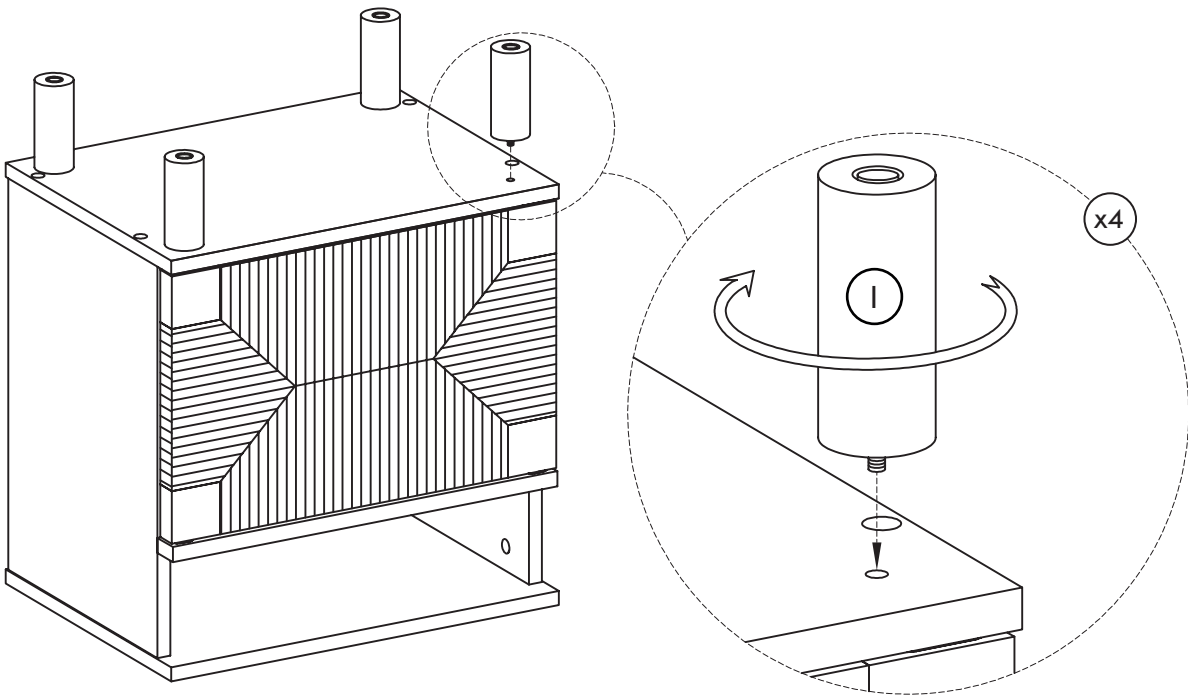
Slide the Plastic Washer (12) over the pre-installed pin hinge on the top of the door and another Plastic Washer (12) atop the hole on the side table. Carefully lift up the Bottom Panel (G) to allow the door to fit in it's intended position.

Once the door is in place, tighten the Long Bolts (7) on the Bottom Panel to 100%.



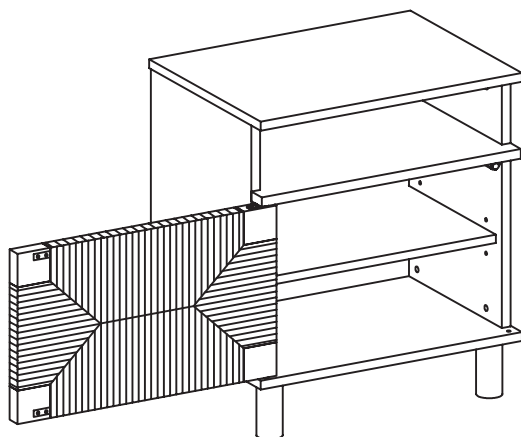
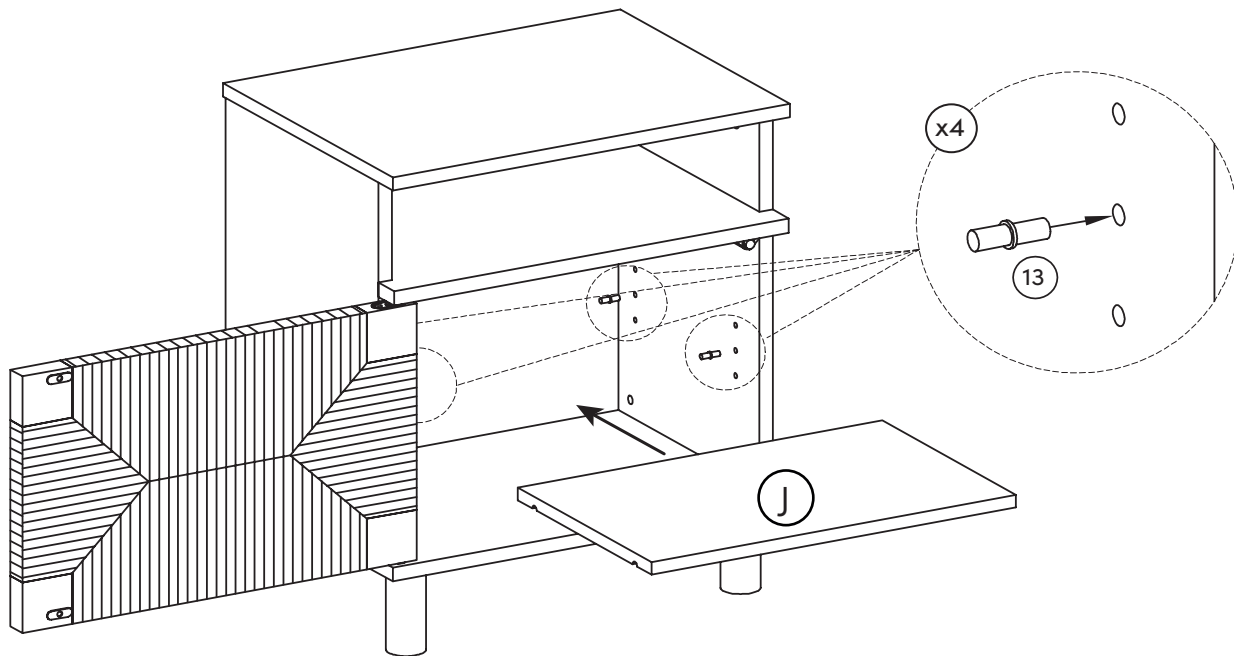
# Step 10

Twist on the four Legs (I). Consider this your workout of the day!

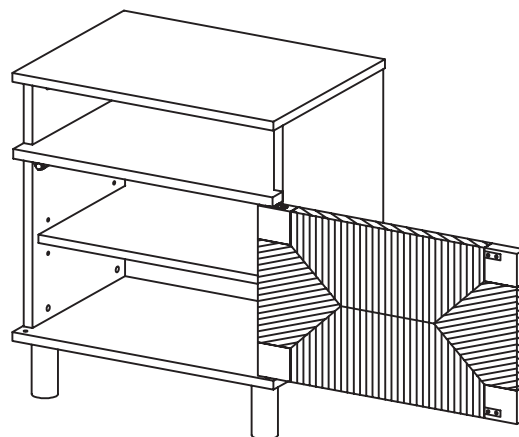


# Step 11

You made it to the last step!  
Secure four Shelf Support Tabs  
(13) at your desired shelf height  
and then slide in the Shelf (J).



**OPTION 1**  
Left Swinging Door



**OPTION 2**  
Right Swinging Door



# No heartburn, when we handle the return

Give us a call **1-866-619-1004** or shoot us a message at **help@nathanjames.com** we will issue you a free replacement with **zero hassle**.

## Our way



Give us a call

---



Replacement

---



You

## Their way



Re-package item

---



Schedule pick up

---



Track package

---



Replacement

---



You

We really don't want you to go through the hassle of re-packaging your item and sending it back, because let's be honest...nobody has time for that.



# Safety first, fun later

We want your nightstand to last as long as possible, so we recommend that you tighten the screws 2 weeks after assembly and for added safety check the tightness of all screws every 2 months.

For proper care and treatment of materials please check our website at [NathanJames.com/products](http://NathanJames.com/products)

## Safe use of this product starts with you.

Use this nightstand responsibly with the primary concern for your safety. Follow assembly instructions carefully and inspect product upon receipt and each use.

Nathan James and its parent companies cannot be held legally responsible for any injuries or death resulted from failure to follow instructions or improper use of this product.

## Do not modify the structure of this product in any way.

Our products have been tested to meet specific safety measures as they were originally intended to be sold. Any modifications will present the risk of creating significant safety issues which NJ will not be responsible for.

## Proper use

- DO NOT** use for commercial purposes
- DO NOT** place on uneven floor or surface
- DO NOT** use as a step-stool or stand on nightstand
- DO NOT** put hot liquid directly on nightstand
- DO NOT** leave spilled liquid on nightstand
- DO NOT** use if nightstand is damaged or broken
- DO NOT** make temporary repairs
- DO NOT** use outdoors



# We are only in business if you're happy

For starters, thanks for being you.

☎ Toll-free at 1-866-619-1004

✉ Help@nathanjames.com

🌐 NathanJames.com/help

We do our best to ensure your furniture arrives without any problems, but occasionally mistakes happen—as humans we are imperfect beings. In the event that a part is damaged or missing, we will be more than happy to provide you with replacement part(s) for free.

## Warranty

This product comes with a lifetime warranty from the date of purchase. Please use your phone to scan the QR code to register your product or visit <https://goo.gl/i9dk3q>



### Did we do alright? Please spread the love!

If you are happy with your product, tell your friends and family about us or even better leave us a review online. Spreading the word gives us the opportunity to make more people happy and keep our prices low for your next purchase.

*Brooklyn Burden*

Founder, Nathan James