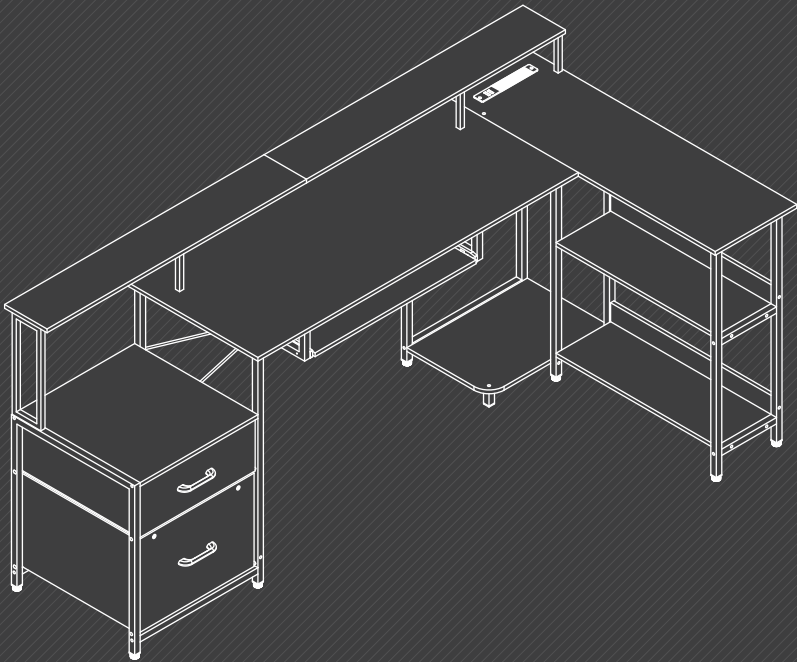




[L SHAPED DESK]



USER MANUAL



Contents

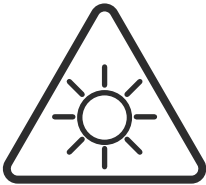
TOPIC		PAGE
01	SAFETY INSTRUCTIONS	01-01
	1-1 Thank You For Choosing Our Product	01
	1-2 Precautions	01
02	INSTALLING MODULES	02-45
	2-1 Disassembly Diagram	02
	2-2 Parts List	03-05
	2-3 Assembly Instructions	06-46
03	CUSTOMER SERVICE	47
	3-1 30-Day Return Policy	47
	3-2 1-Year Warranty	47
	3-3 Quick Response Within 24 Hours	47
04	PROBLEMS YOU MAY ENCOUNTER	48
	4-1 Problems You May Encounter	48

Safety Instructions

Thank You For Choosing Our Product

Before assembly, please read this USER MANUAL first, and check according to Parts List to make sure all parts are included. Feel free to contact us if you have any concerns or questions about your product, we are always ready to help. Your satisfaction is our first priority!

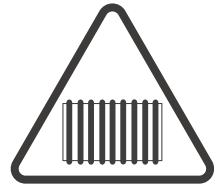
Precautions



- Avoid long-term direct sunlight exposure.



- Keep away from sharp objects.



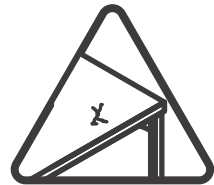
- Keep away from heat.



- Keep infants/children away from assembly parts to avoid choking and suffocation.

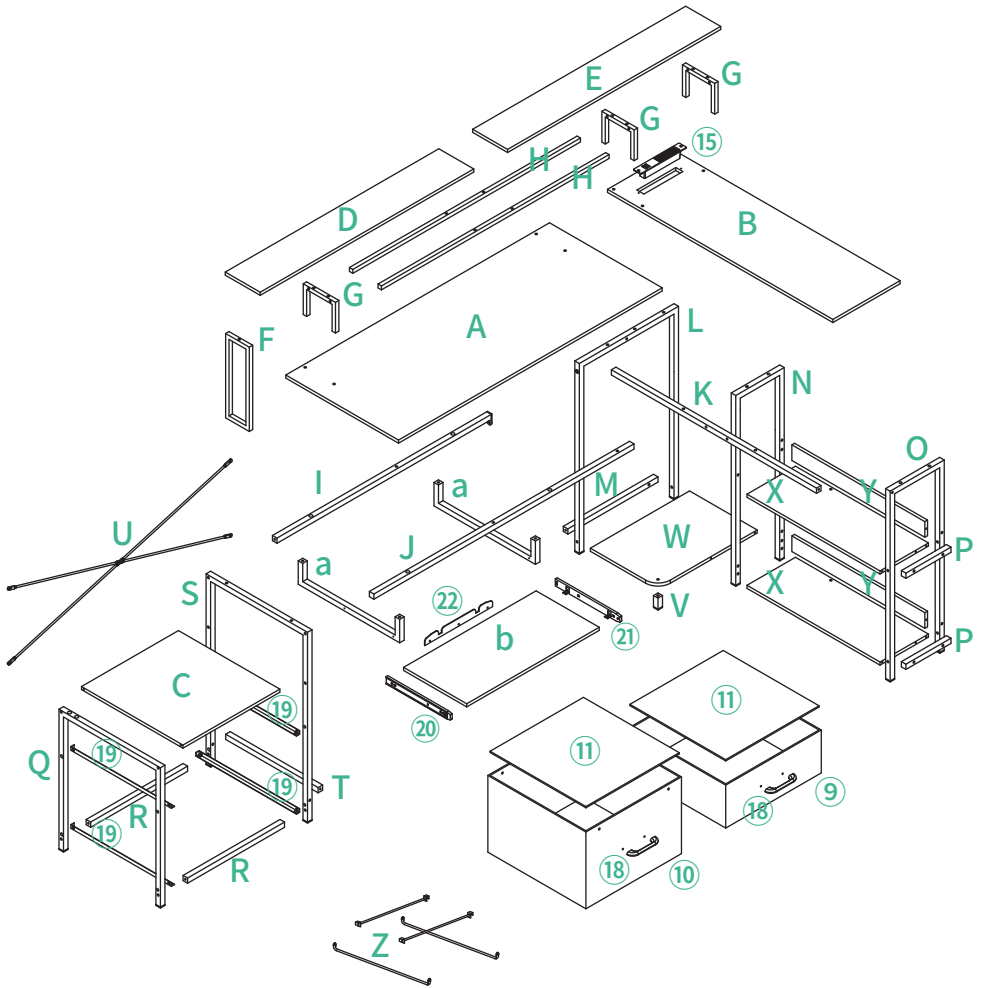


- Keep away from corrosive substances.

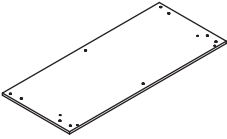
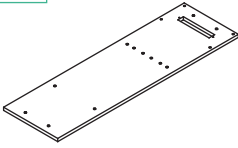
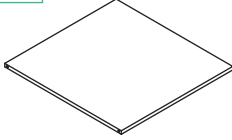
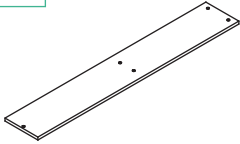
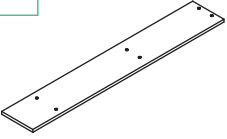
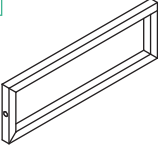
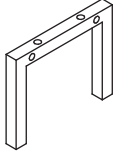
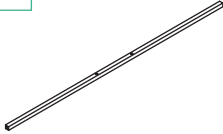
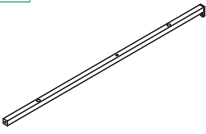
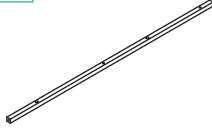
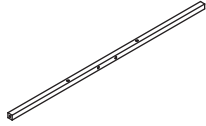
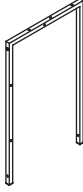
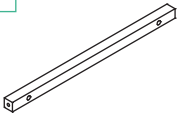

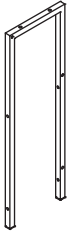
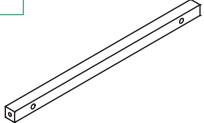
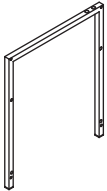
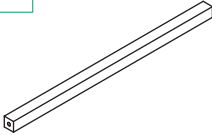

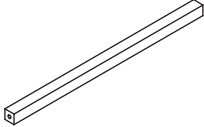


- Pay attention to avoid over-tightening fasteners, or they may induce cracking within the board.

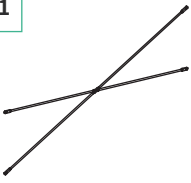
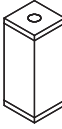
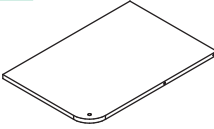
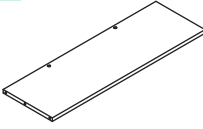
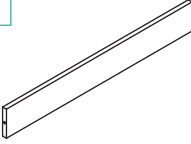

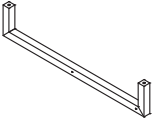
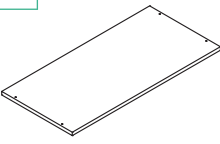
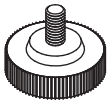
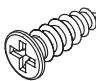


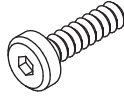
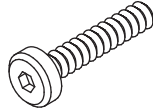
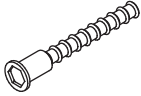

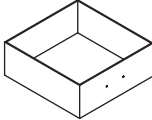
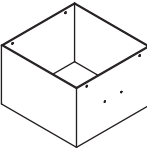
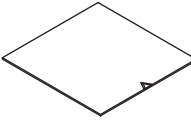
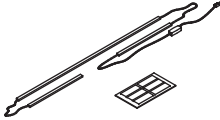
Disassembly Diagram



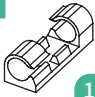

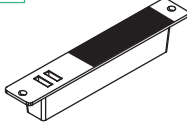
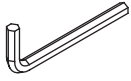
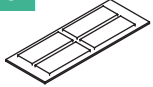
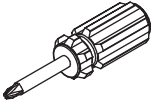
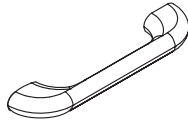
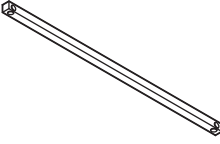
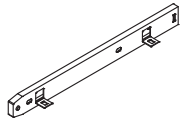
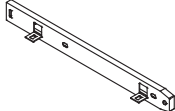
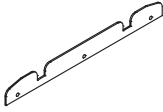
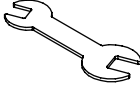
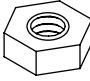
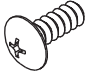
Parts List

A x1 	B x1 	C x1 	D x1 
E x1 	F x1 	G x3 	H x2 
I x1 	J x1 	K x1 	L x1 
M x1 	N x1 	O x1 	P x2 
Q x1 	R x2 	S x1 	T x1 

Parts List

<p>U x1</p> 	<p>V x1</p> 	<p>W x1</p> 	<p>X x2</p> 
<p>Y x2</p> 	<p>Z x1</p> 	<p>a x2</p> 	<p>b x1</p> 
<p>1 x11</p>  <p>1 Spare</p>	<p>2 x10</p>  <p>ST4x12</p> <p>1 Spare</p>	<p>3 x6</p>  <p>M6x12</p> <p>1 Spare</p>	<p>4 x14</p>  <p>M6x20</p> <p>2 spares</p>
<p>5 x24</p>  <p>M6x23</p> <p>3 spares</p>	<p>6 x41</p>  <p>M6x28</p> <p>3 spares</p>	<p>7 x27</p>  <p>M6.3x48</p> <p>3 spares</p>	<p>8 x5</p>  <p>ST4x10</p> <p>1 spare</p>
<p>9 x1</p> 	<p>10 x1</p> 	<p>11 x2</p> 	<p>12 x1</p> 

Parts List

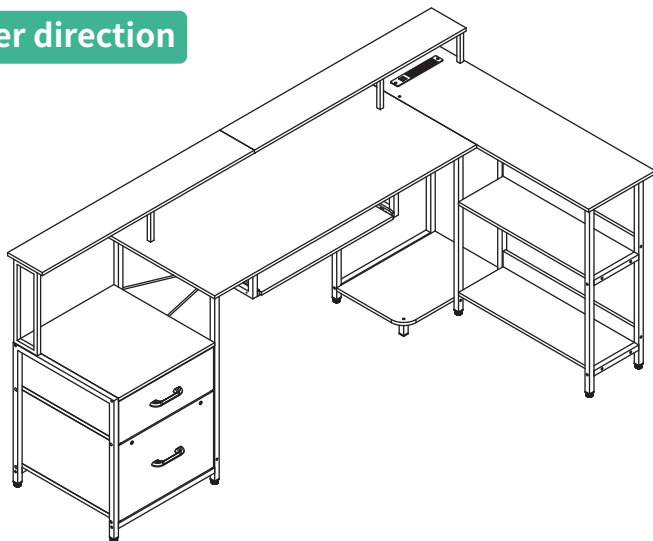
<p>13-a</p> <p>x4</p>  <p>1 Spare</p>	<p>14</p> <p>x9</p>  <p>1 Spare</p>	<p>15</p> <p>x1</p> 	<p>16</p> <p>x2</p> 
<p>13-b</p> <p>x1</p> 	<p>17</p> <p>x1</p> 	<p>18</p> <p>x2</p> 	<p>19</p> <p>x4</p> 
<p>20</p> <p>x1</p> 	<p>21</p> <p>x1</p> 	<p>22</p> <p>x1</p> 	<p>23</p> <p>x1</p> 
<p>24</p> <p>x5</p>  <p>1 spare</p>	<p>25</p> <p>x5</p>  <p>M4*8</p> <p>1 spare</p>		

Assembly Instructions

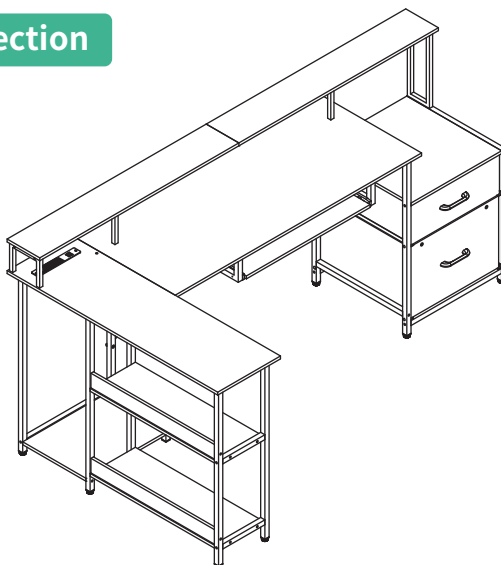
Note that the two boards of the desk can be swapped between the left and right when installed.

Please refer to the 1L-27L steps for the left corner and the 1R-27R steps for the right corner.

Right corner direction

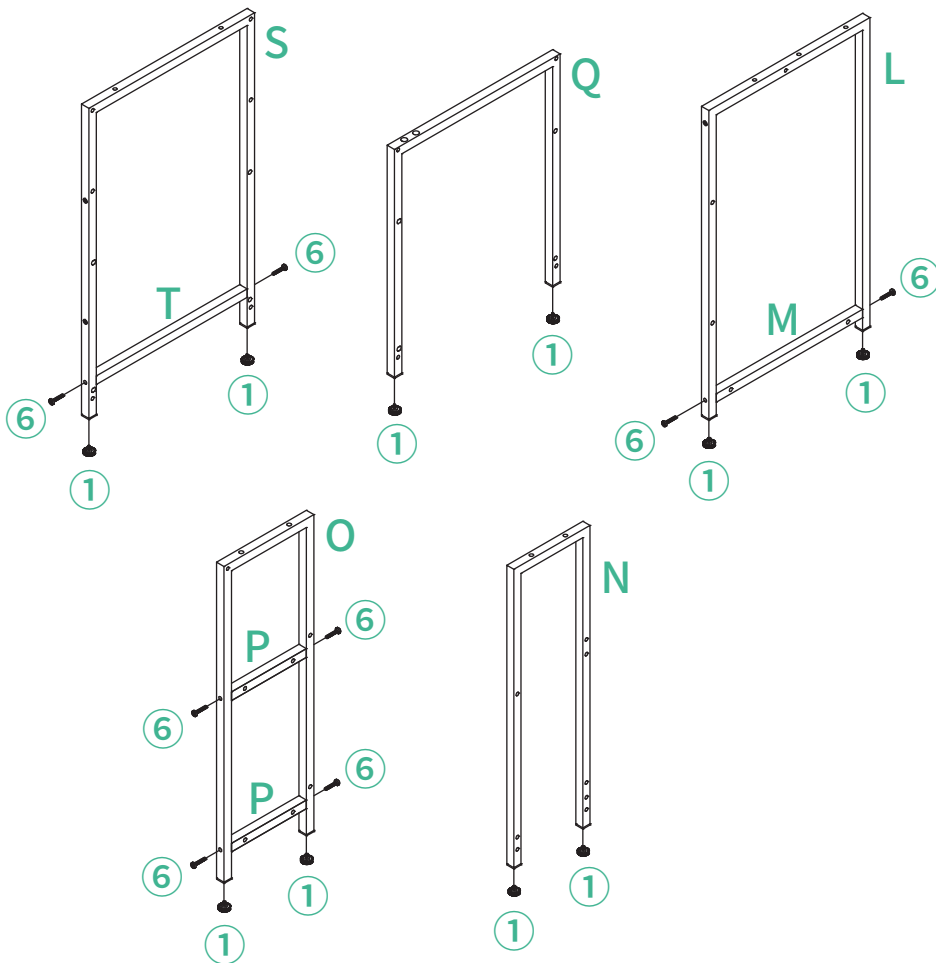


Left corner direction



Assembly Instructions

R-1








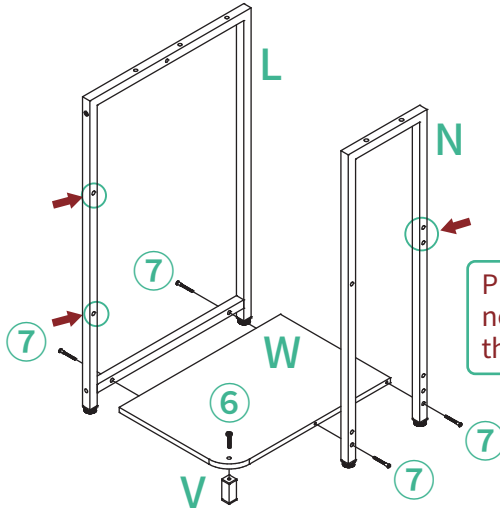
L x1		M x1		N x1		O x1		P x2			
Q x1		S x1		T x1		1 x10		6 x8		16 x1	

Assembly Instructions





R-2

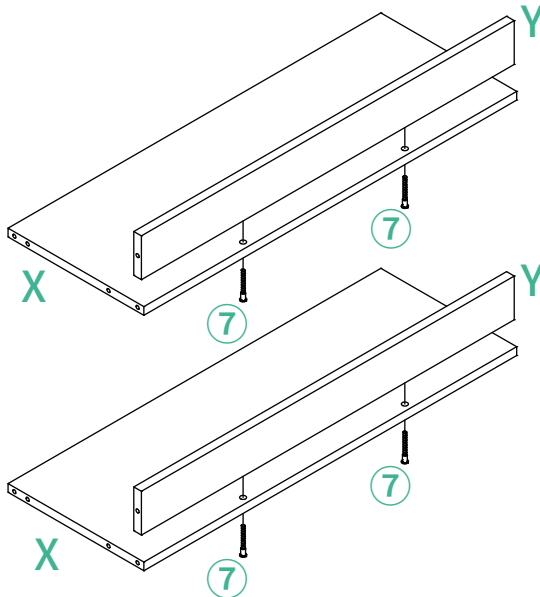
Please pay attention to the direction of the screw holes on the L and N, and the installation direction of L and N are reversed for the left and right corner desk, so please distinguish.

V	
x1	
W	
x1	
⑦	
x4	
⑥	
x1	
⑯	
x1	



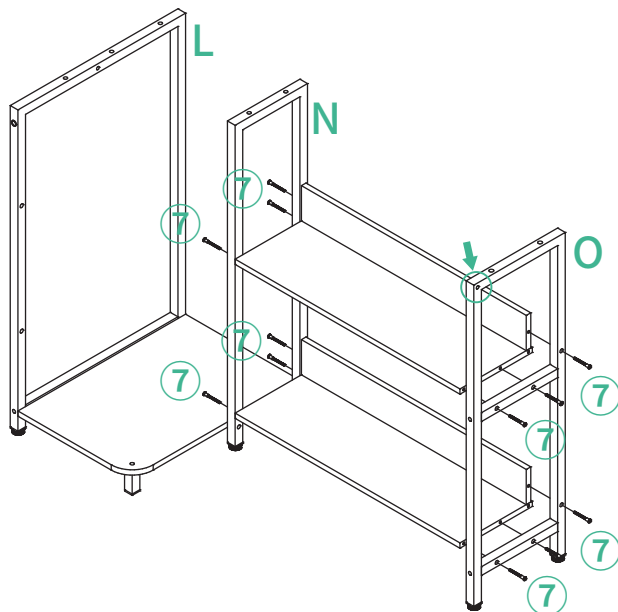
R-3

X	
x2	
Y	
x2	
⑦	
x4	
⑯	
x1	



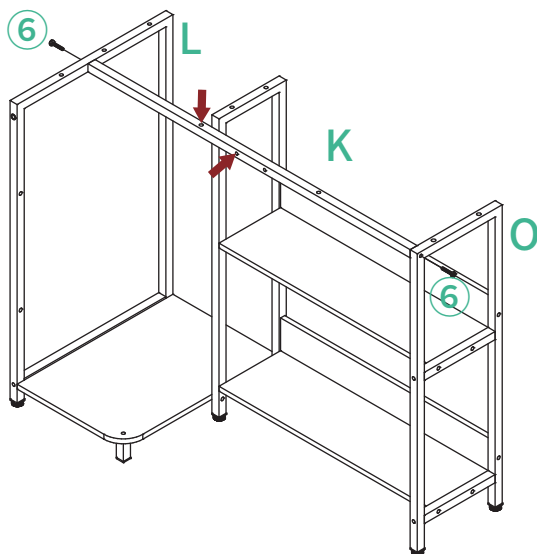
Assembly Instructions

R-4



R-5






The two holes marked by arrows on K are relatively close, please distinguish the installation direction of K according to this feature.

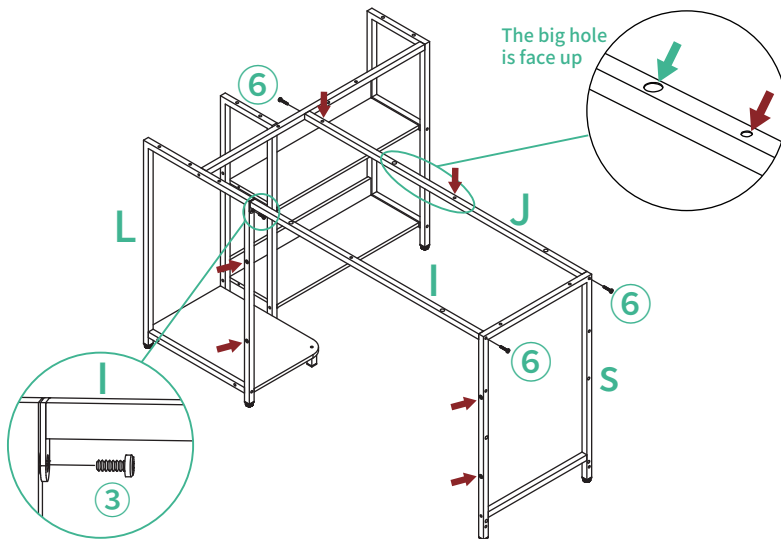


Assembly Instructions




R-6

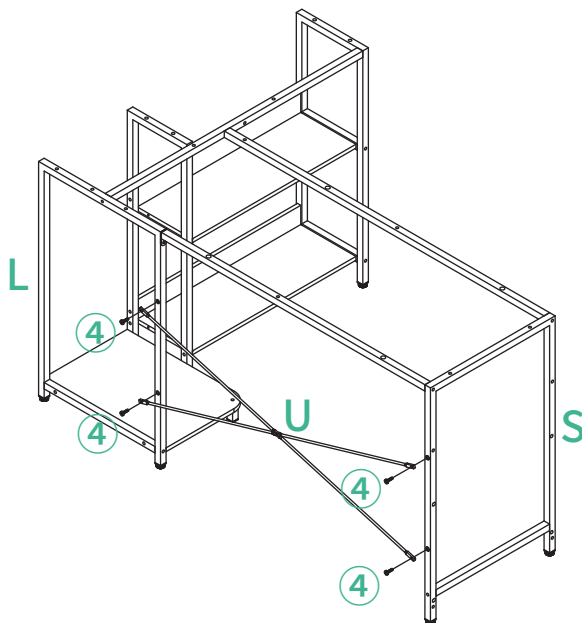
Please pay attention to the direction of the screw holes in the J and S. The holes on S and L need to be facing outwards.

I	
x1	
J	
x1	
3	
x1	
6	
x3	
16	
x1	



R-7

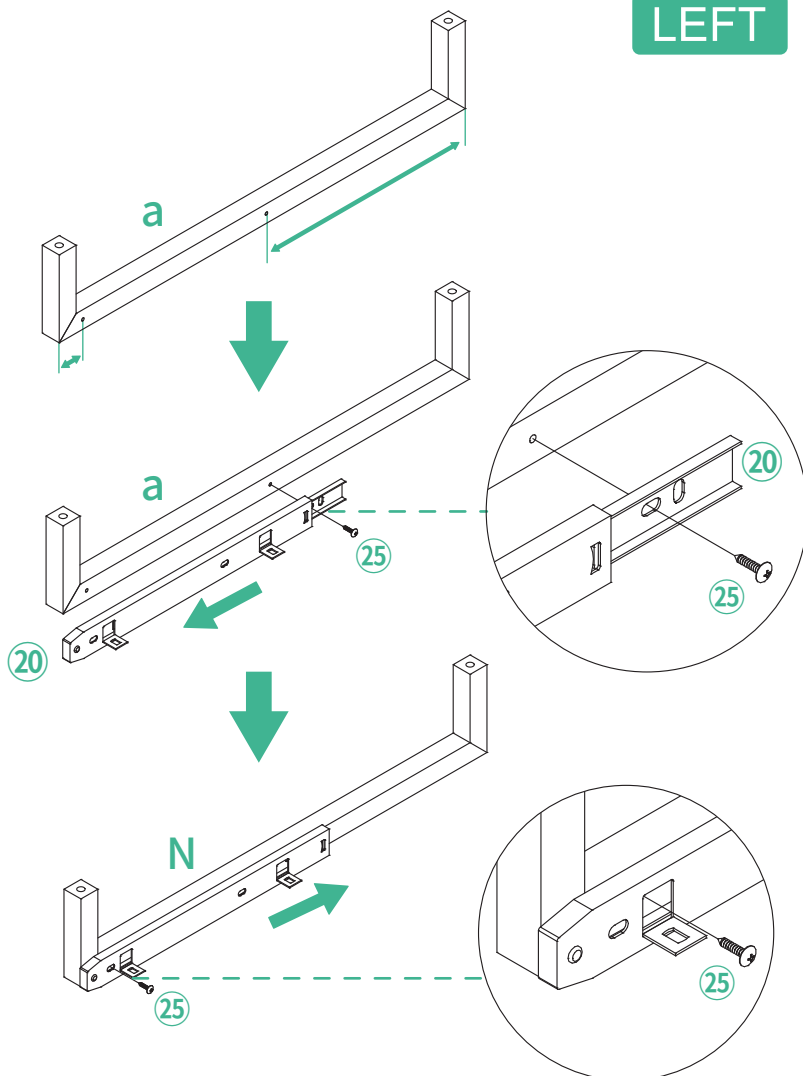
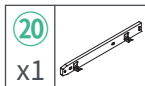
U	
x1	
4	
x4	
16	
x1	



Assembly Instructions

R-8

1. Please pay attention to the hole position when installing the slide rails on both sides.
2. The screw is self-tapping, at the beginning of the installation, only need to use a little force, and then tighten the parts.

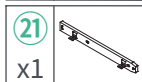
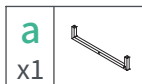


Assembly Instructions

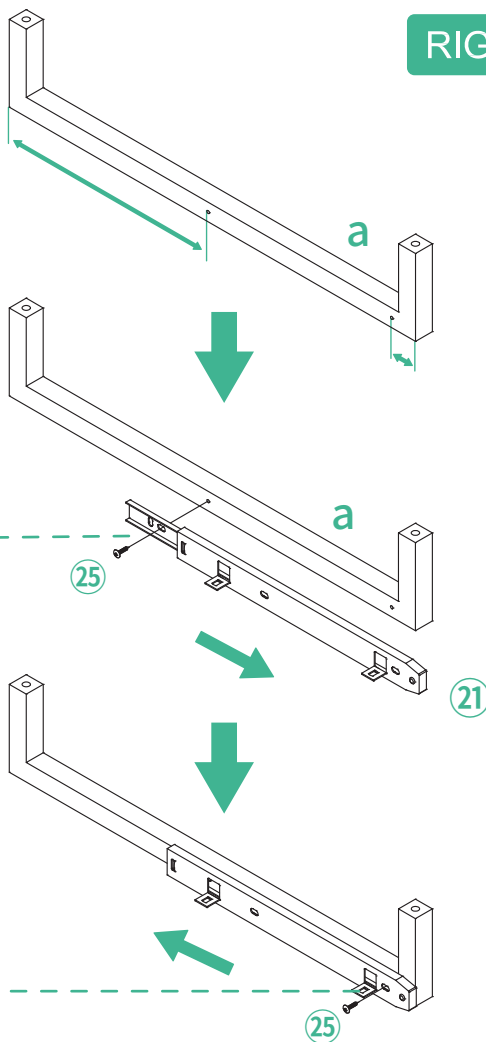
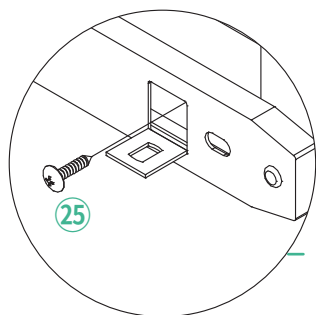
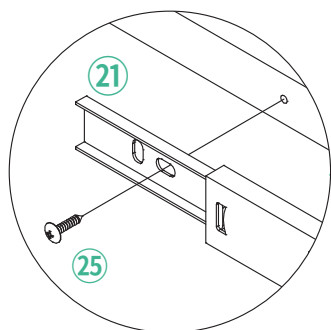
R-9

1. Please pay attention to the hole position when installing the slide rails on both sides.

2. The screw is self-tapping, at the beginning of the installation, you only need to use a little force, and then tighten the parts.



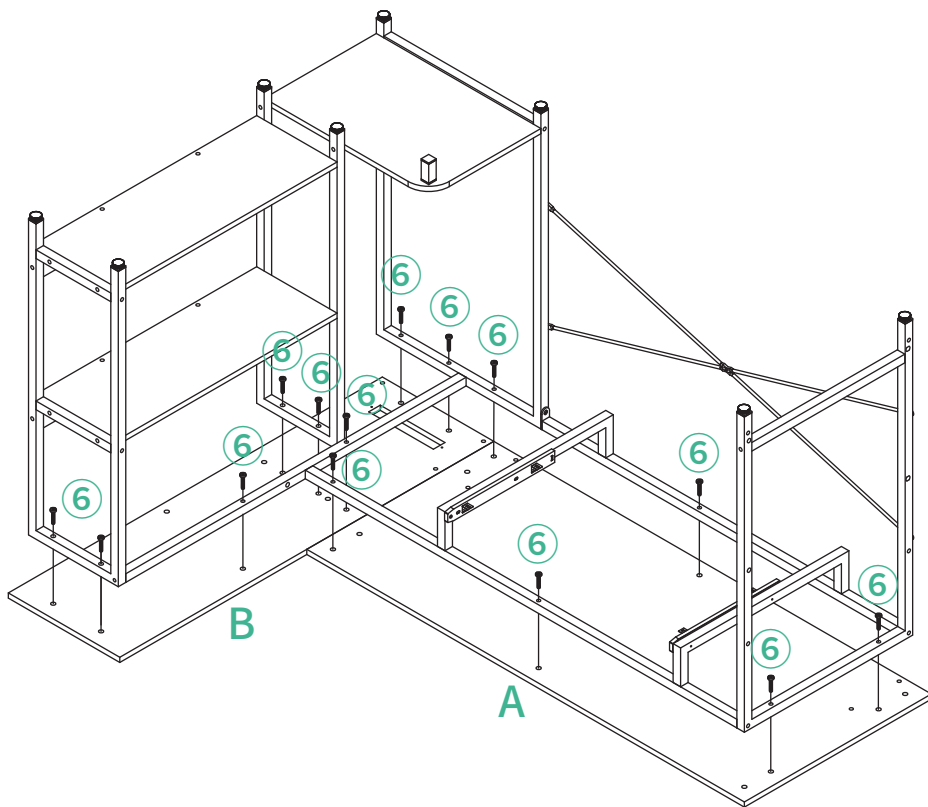
RIGHT



Assembly Instructions

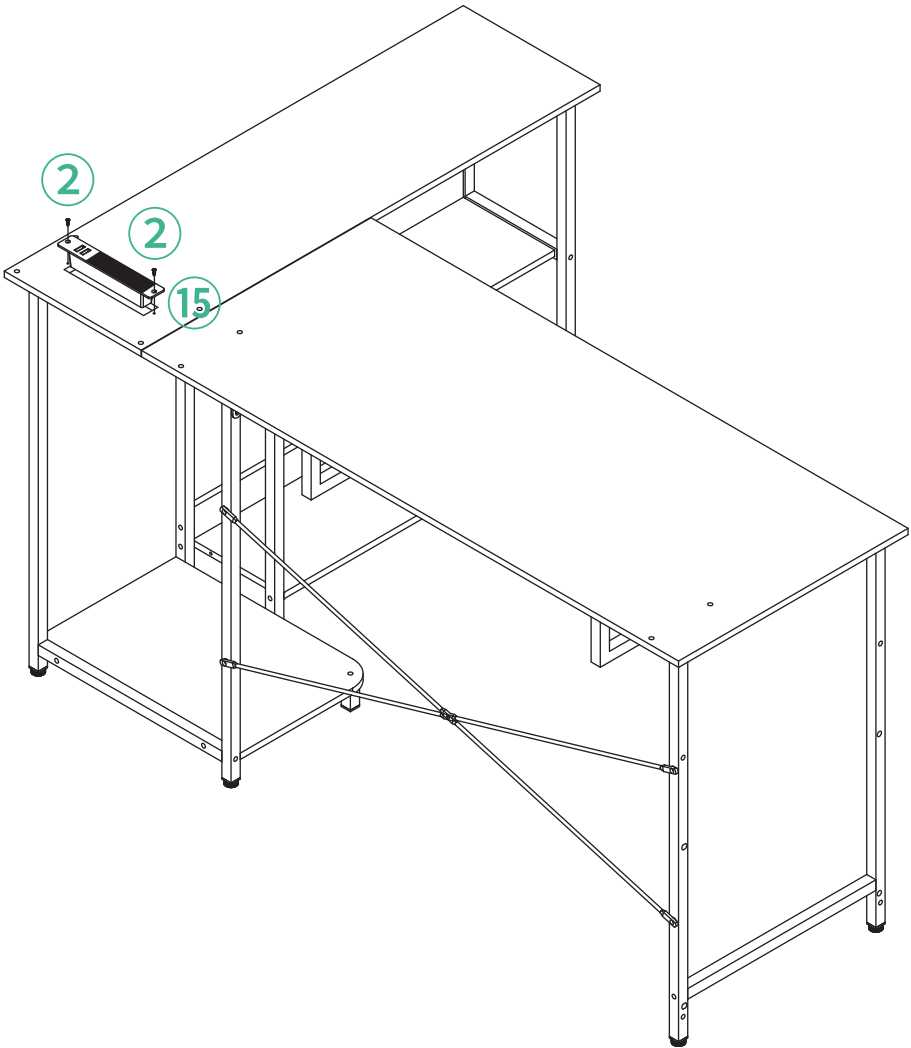
R-11

Please screw all the screws into the corresponding holes first, and then tighten the screws after making sure desktops A and B are perfectly aligned.



A x1		B x1		6 x14		16 x1	
----------------	---	----------------	---	-----------------	---	-----------------	---

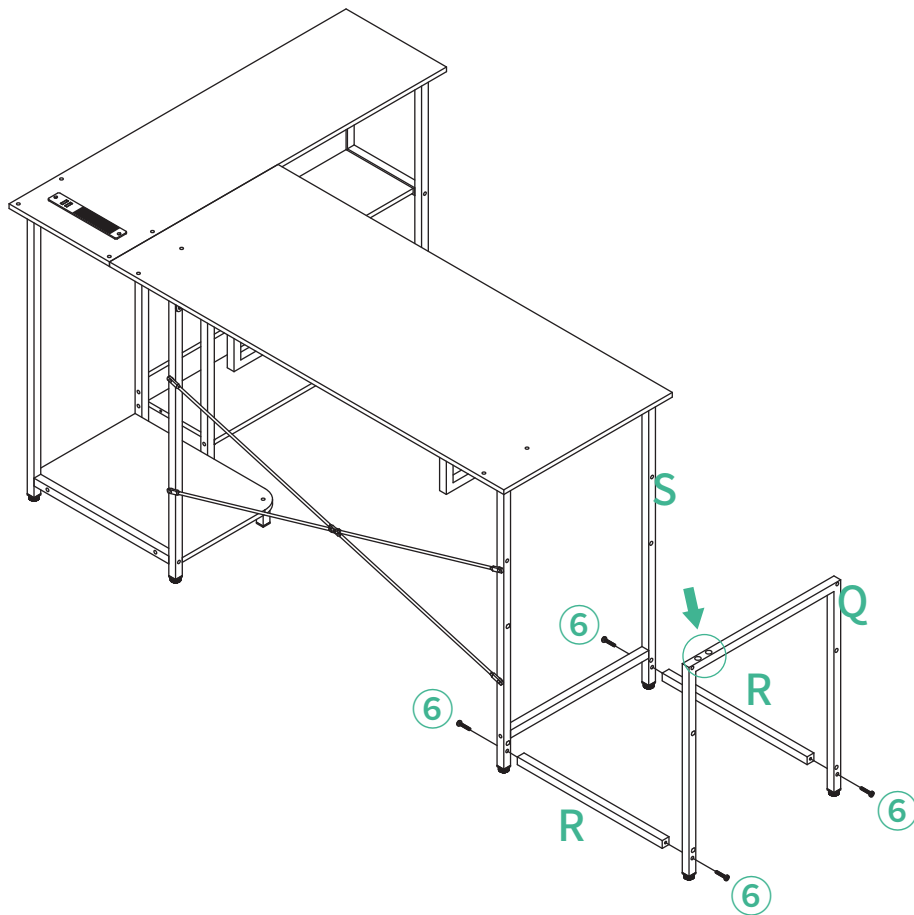
R-12



Assembly Instructions

R-13

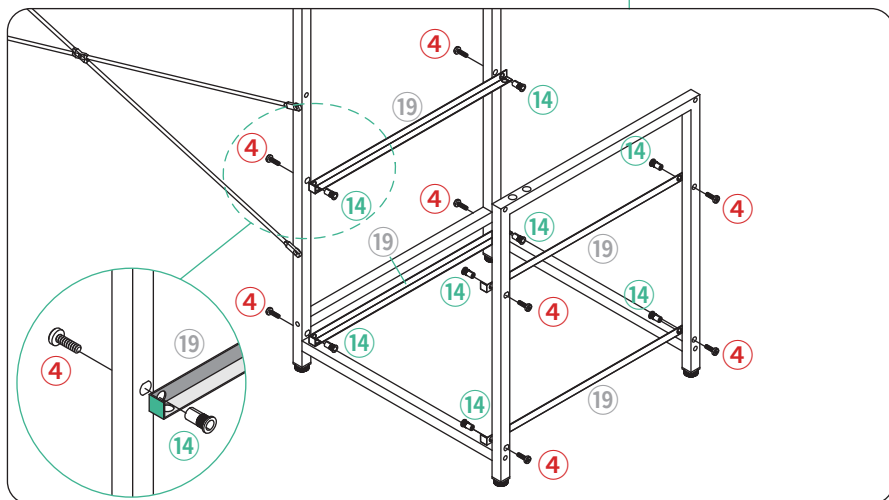
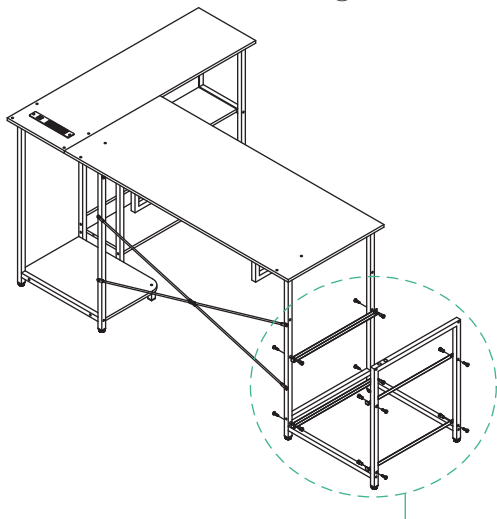
Please pay attention to the direction of the screw holes on part Q to determine the installation direction.



R x2		6 x4		16 x1	
----------------	--	----------------	--	-----------------	--

Assembly Instructions

R-14 ⑰ are the drawer rails, please install the rails in the direction shown, in case the wrong installation will result in the drawer not fitting in and will need to be dismantled and reinstalled. Please insert the nut ⑭ into the rail and the steel frame, then screw in the nut on the other side of the steel frame with the screw ④ to fix the rail.

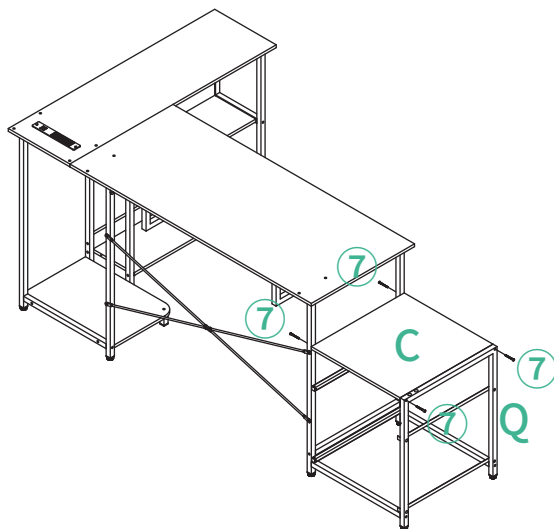
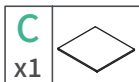


④		⑭		⑰	
x8		x8		x1	

Assembly Instructions

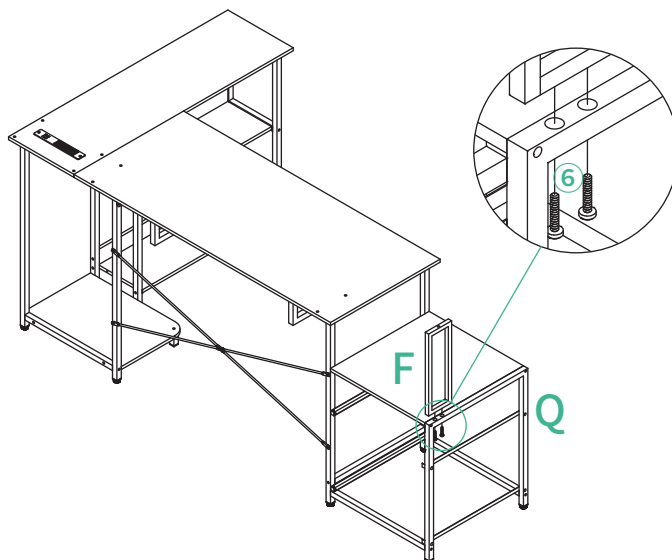
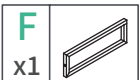
R-15

Please use the screws ⑦ to install C, and be careful not to over-tighten the screws ⑦.



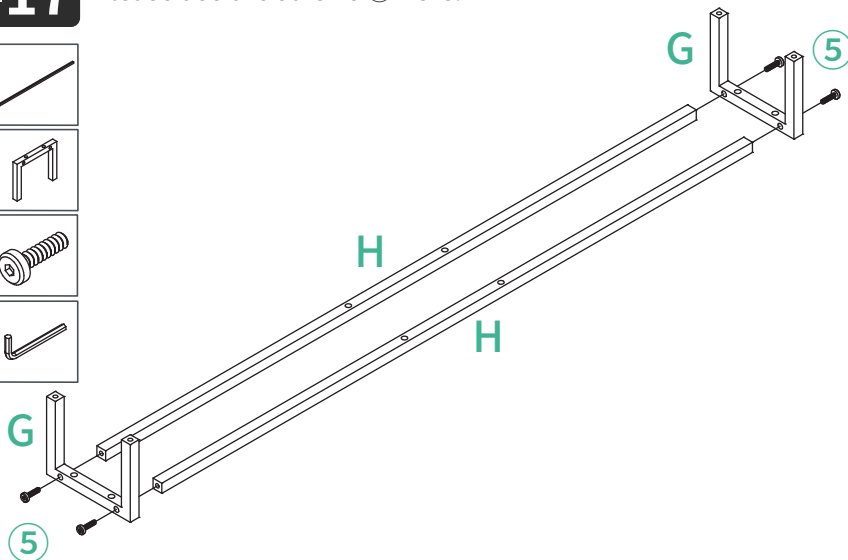
R-16

Please use the screws ⑥ to install F on Q.

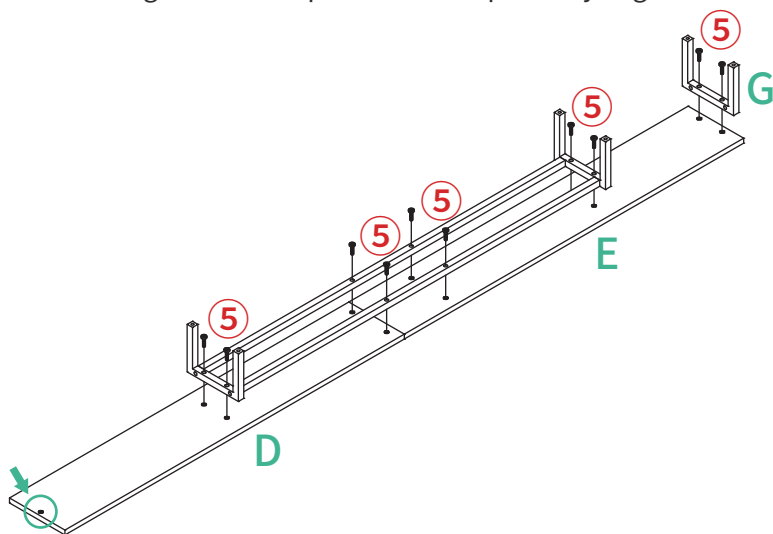


Assembly Instructions

R-17 Please use the screws ⑤ here.



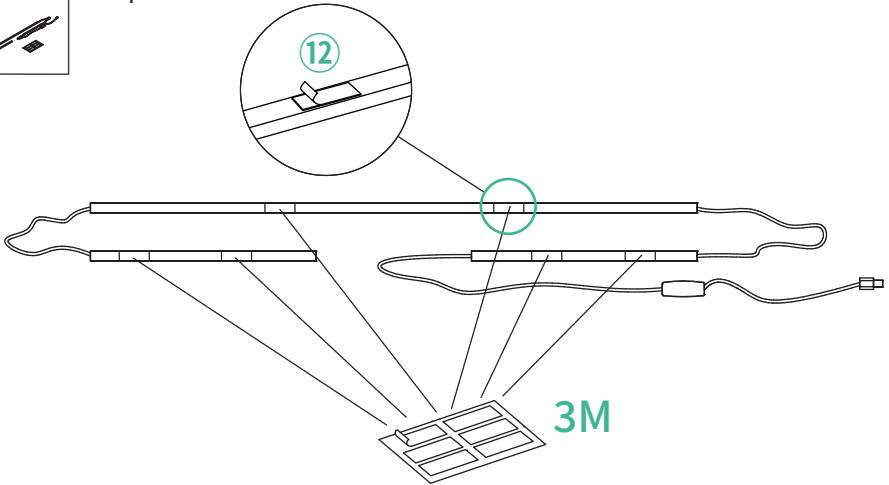
R-18 Please screw ⑤ into the board D and E, and then tighten the screws after making sure desktops D and E are perfectly aligned.



Assembly Instructions

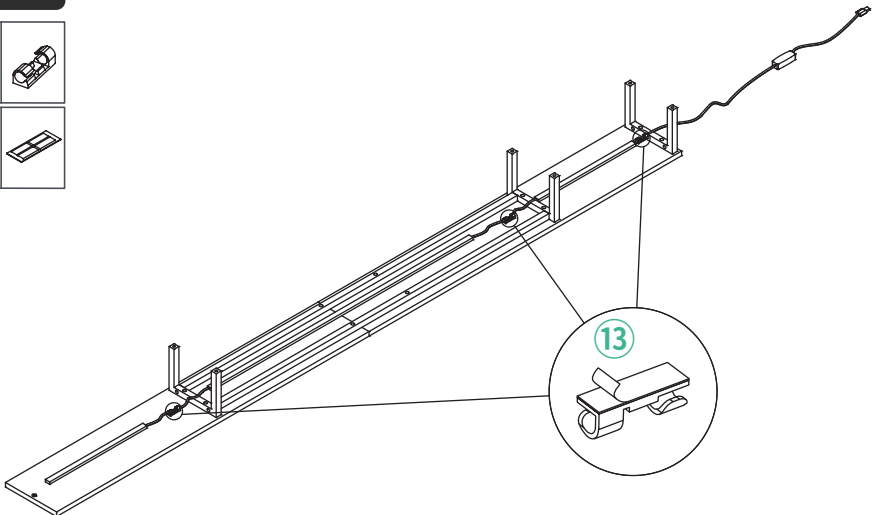
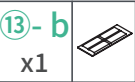
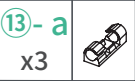
R-19

Please light up the strip to distinguish the front from the back and prevent the 3M adhesive from blocking the light on the front of the strip.



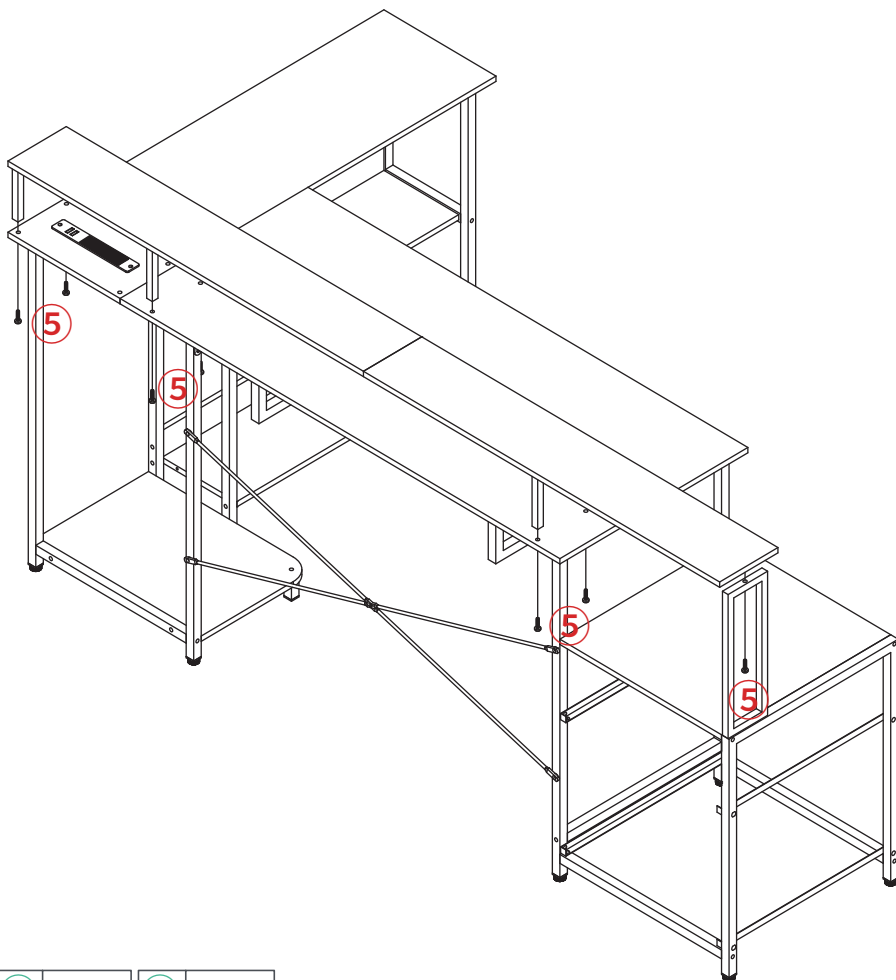
R-20

Please fix the cable clip in the position you need with the cable clip ⑬.

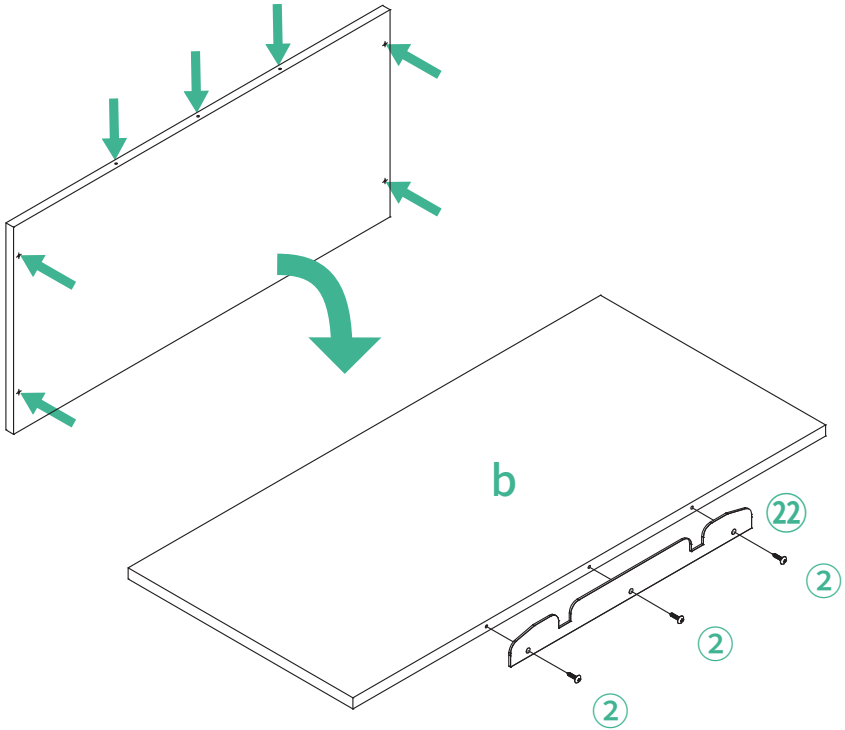


Assembly Instructions

R-21 Please gently flip the entire monitor stand to prevent it from breaking, and use screws ⑤ to secure the monitor stand to the desk.

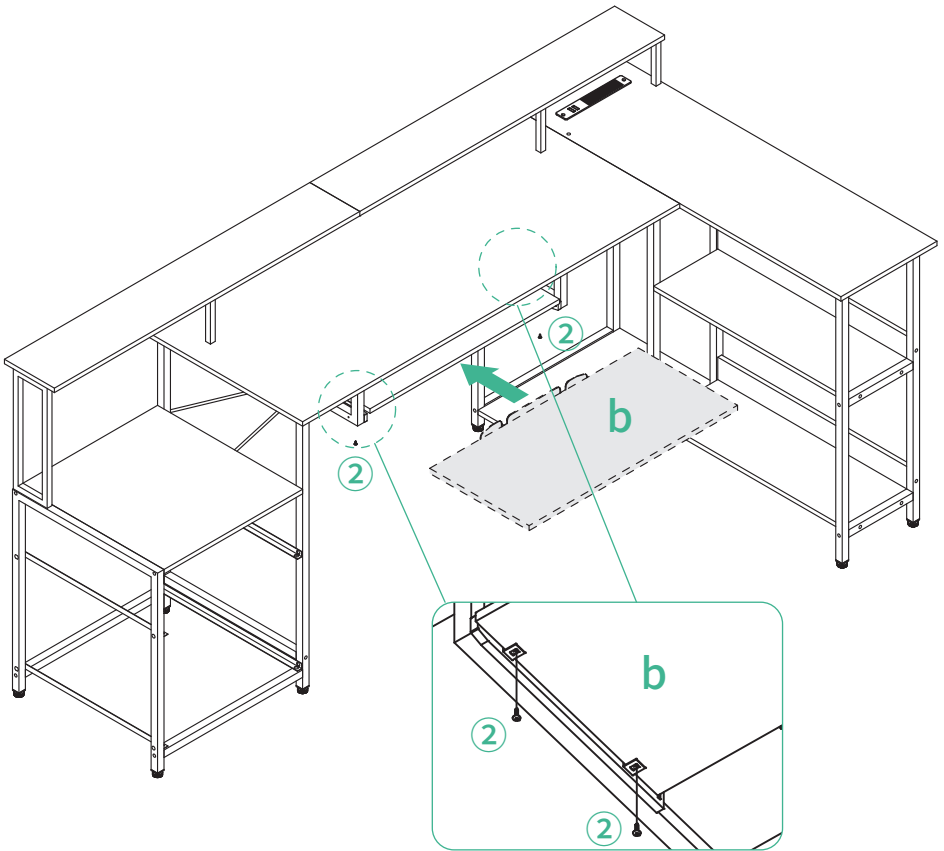


R-22



b x1		2 x3		17 x1		22 x1	
----------------	---	----------------	---	-----------------	---	-----------------	---


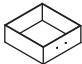



R-23

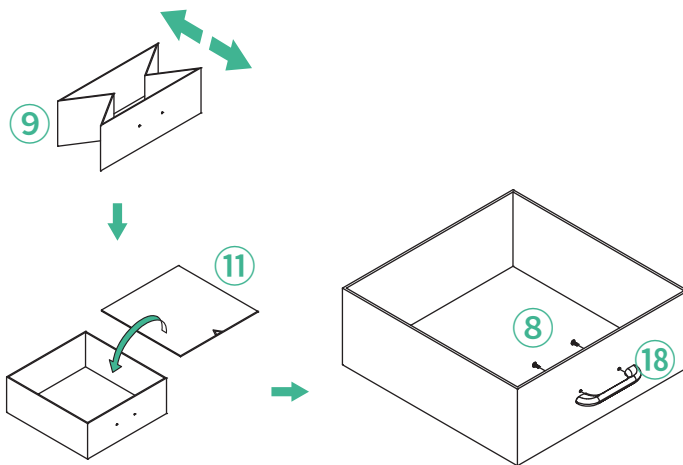


Assembly Instructions

R-24






Open the drawer, put the drawer base into the drawer, and then install the drawer handle (18) with screw (8).

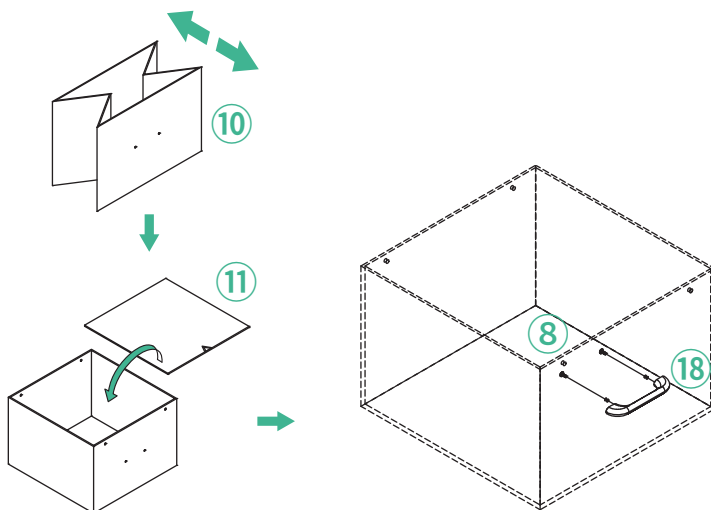
8	
x2	
9	
x1	
11	
x1	
17	
x1	
18	
x1	



R-25

Open the drawer, put the drawer base into the drawer, and then install the drawer handle (18) with screw (8).

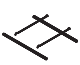
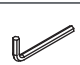

8	
x2	
10	
x1	
11	
x1	
17	
x1	
18	
x1	

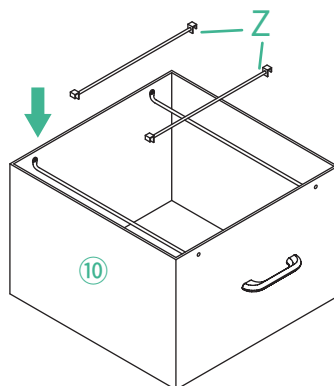
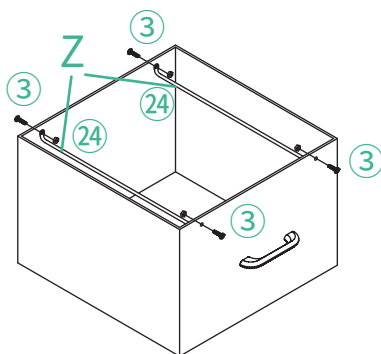


Assembly Instructions

R-26

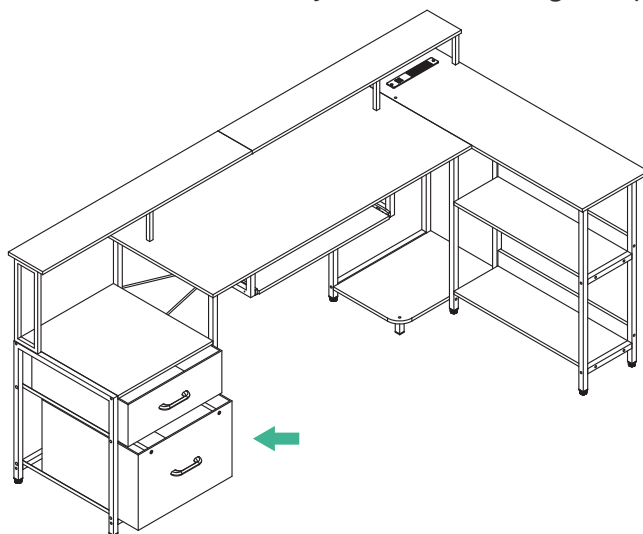
Use the screws ③ to install Z to the drawer ⑩ to hang the folder, if you do not need to hang the folder, you can choose not to attach the Z.

Z	
x1	
③	
x4	
①⑥	
x1	
②③	
x1	
②④	
x4	



R-27

Place the drawer into the rails, if you find that it does not fit properly, check if the rails are correctly installed according to step 14.

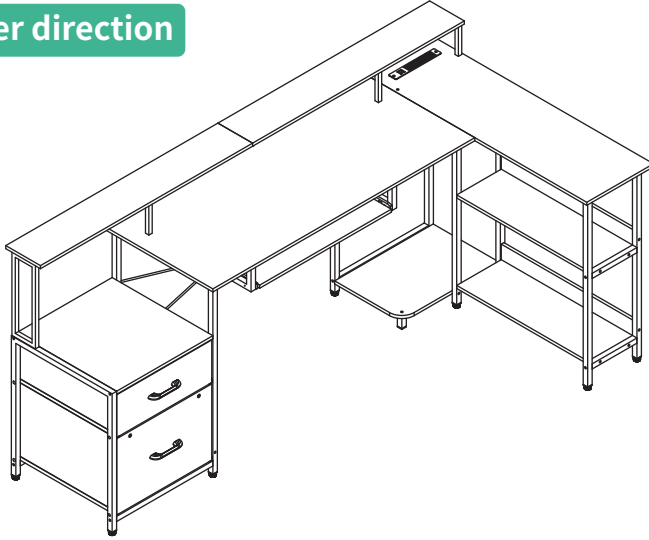


Assembly Instructions

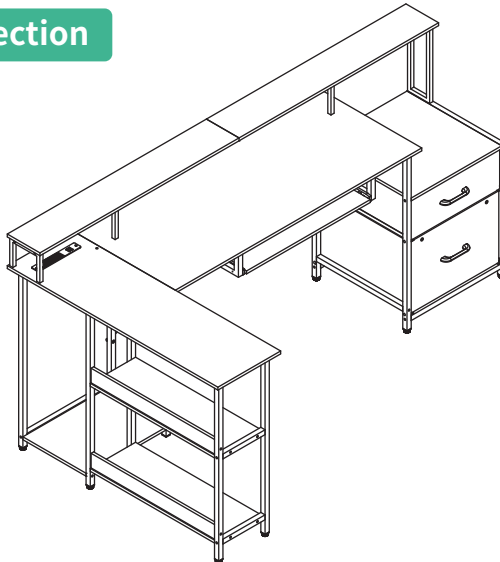
Note that the two boards of the desk can be swapped between the left and right when installed.

Please refer to the 1L-27L steps for the left corner and the 1R-27R steps for the right corner.

Right corner direction

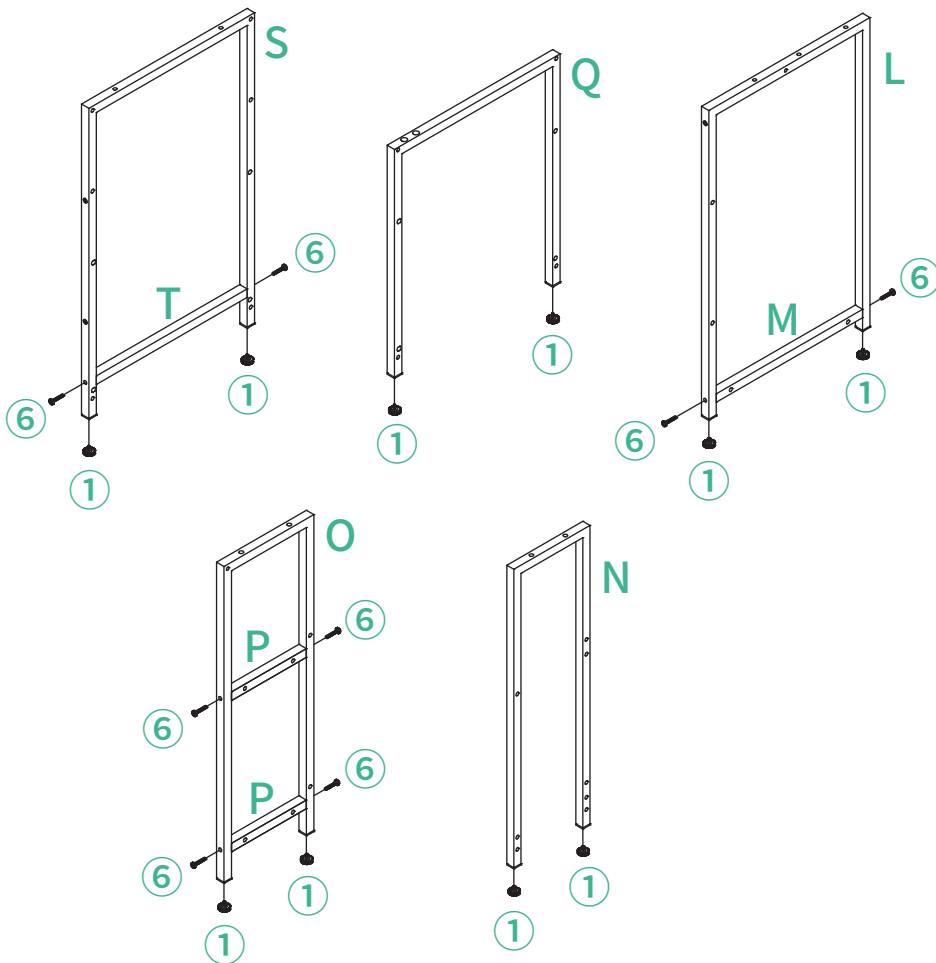


Left corner direction



Assembly Instructions

L-1








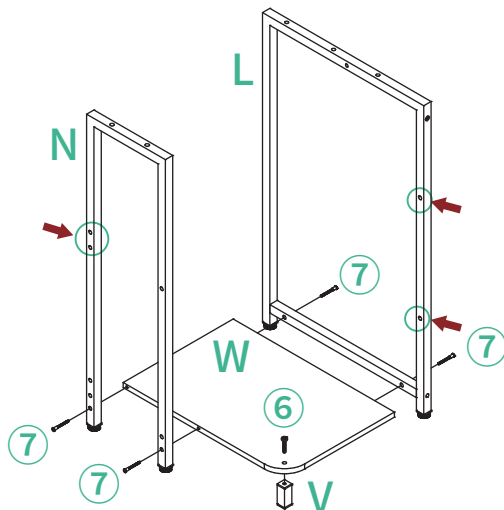
L x1		M x1		N x1		O x1		P x2			
Q x1		S x1		T x1		1 x10		6 x8		16 x1	

Assembly Instructions

L-2





Please pay attention to the direction of the screw holes on the L and N, and the installation direction of L and N are reversed for the left and right corner desk, so please distinguish.

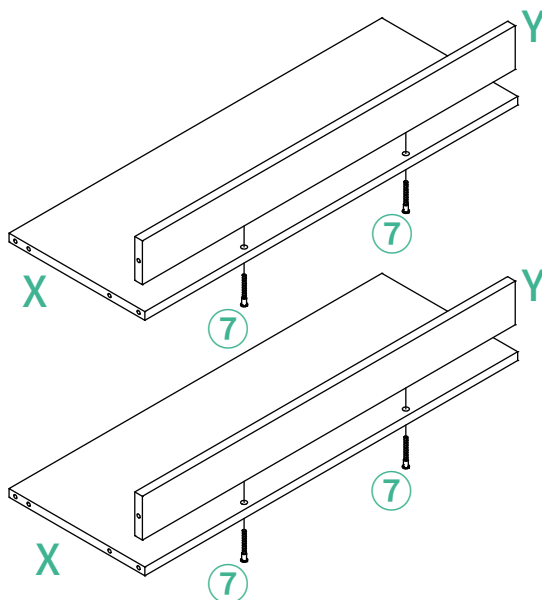
V	
x1	
W	
x1	
7	
x4	
6	
x1	
16	
x1	



Please be careful not to over-tighten the screws 7.

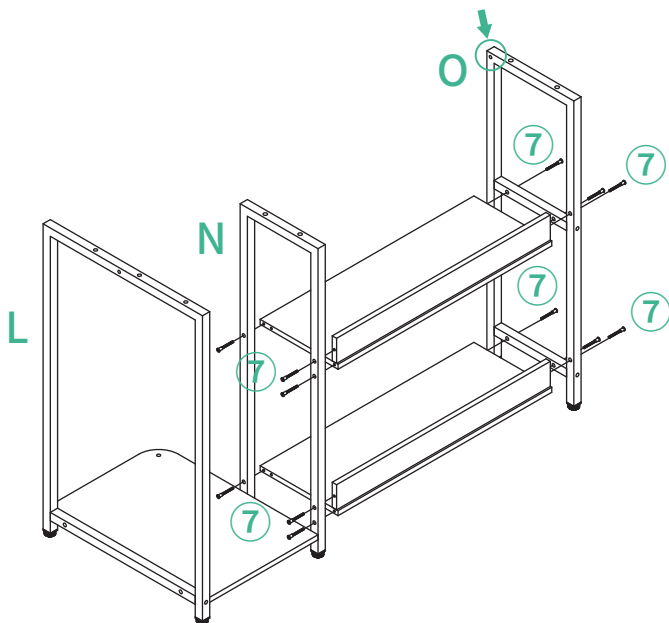
L-3

X	
x2	
Y	
x2	
7	
x4	
16	
x1	



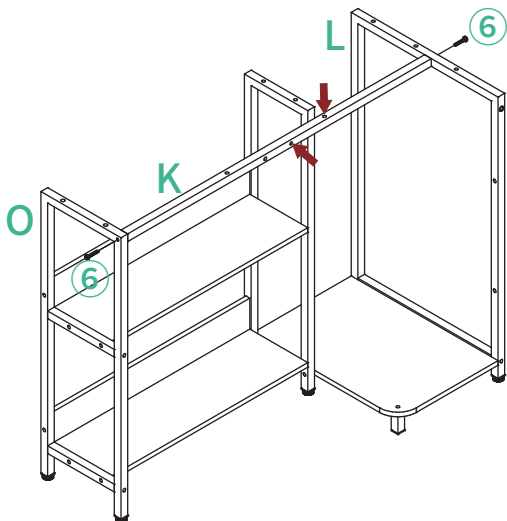
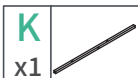
Assembly Instructions

L-4



L-5






The two holes marked by arrows on K are relatively close, please distinguish the installation direction of K according to this feature.

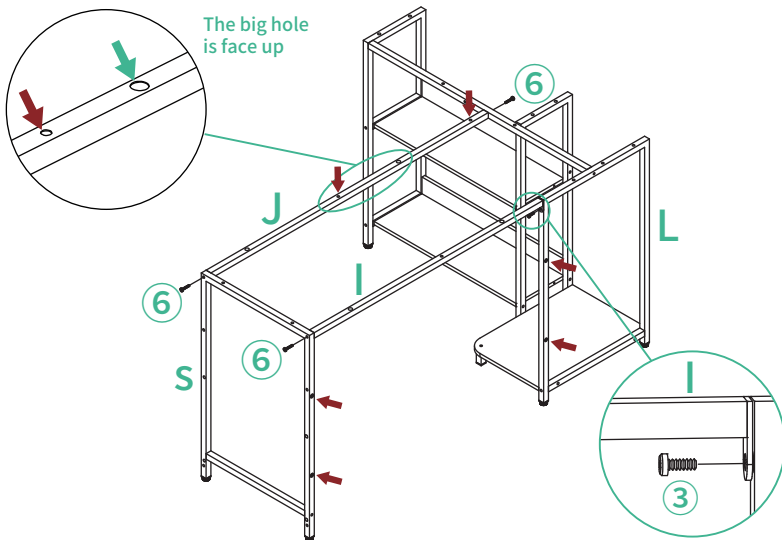


Assembly Instructions




L-6

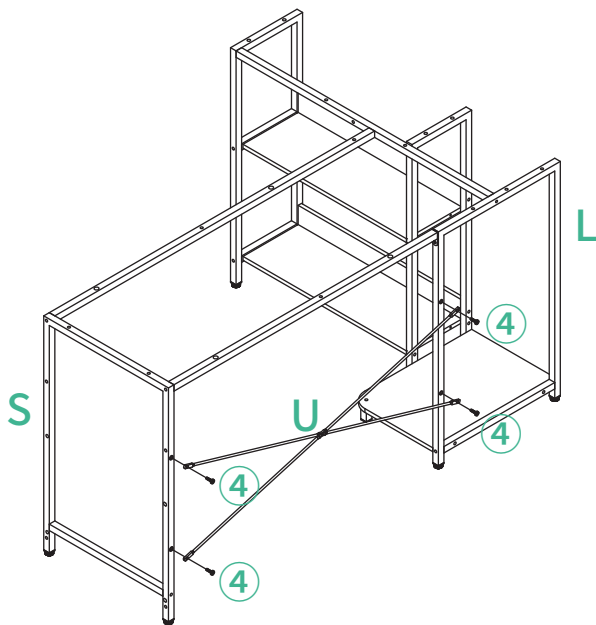
Please pay attention to the direction of the screw holes in the J and S. The holes on S and L need to be facing outwards.

I	
x1	
J	
x1	
3	
x1	
6	
x3	
16	
x1	



L-7

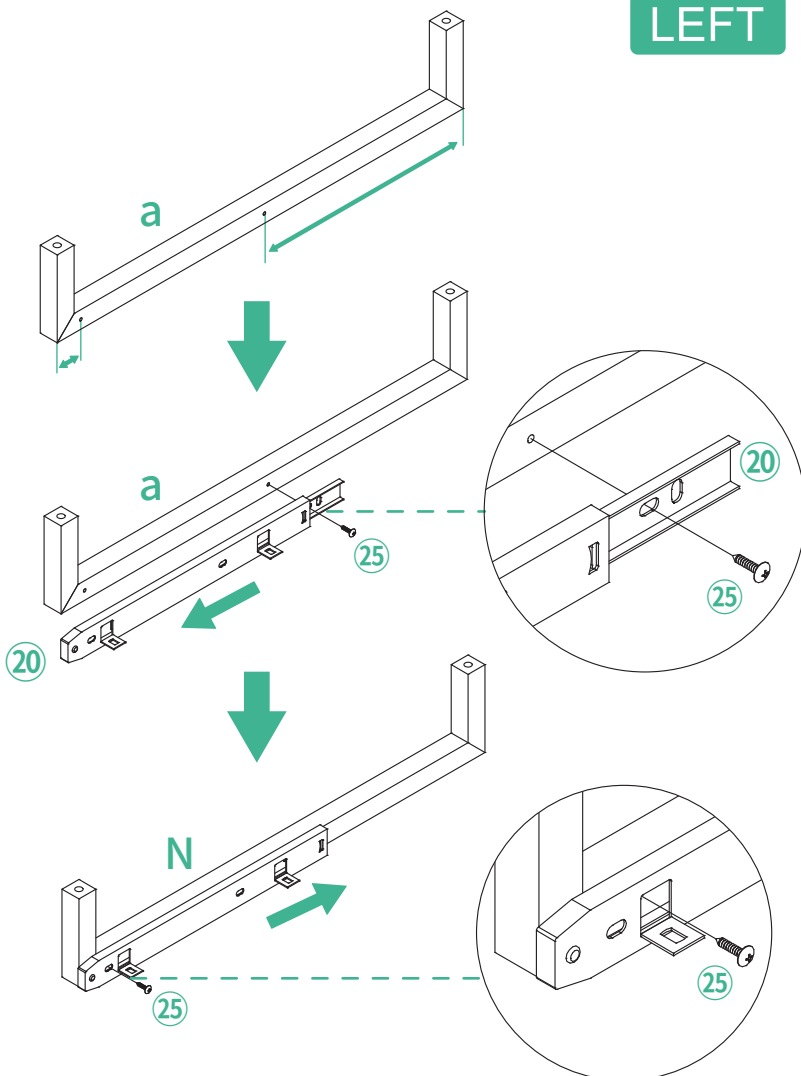
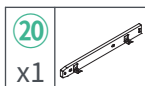
U	
x1	
4	
x4	
16	
x1	



Assembly Instructions

L-8

1. Please pay attention to the hole position when installing the slide rails on both sides.
2. The screw is self-tapping, at the beginning of the installation, only need to use a little force, and then tighten the parts.

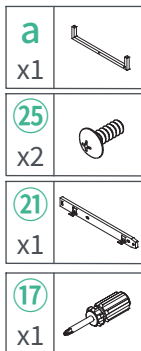


Assembly Instructions

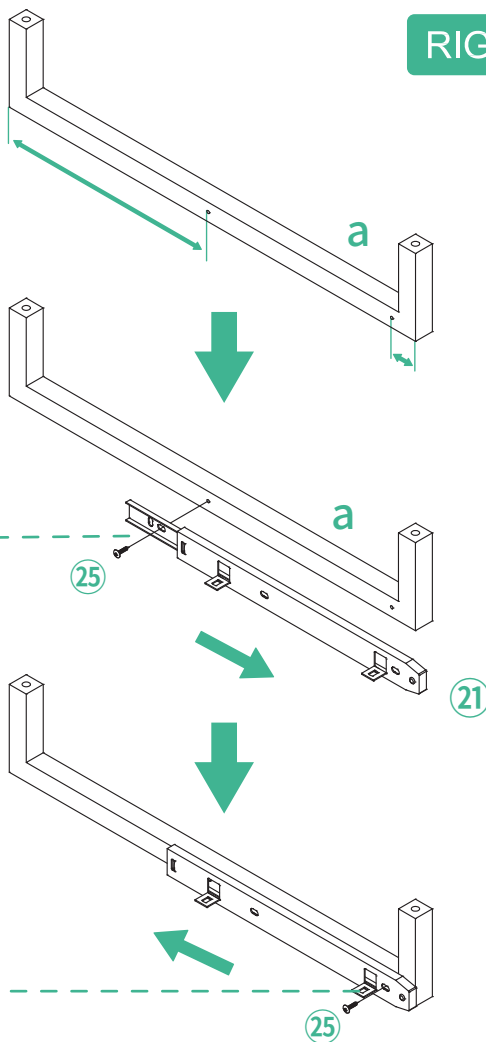
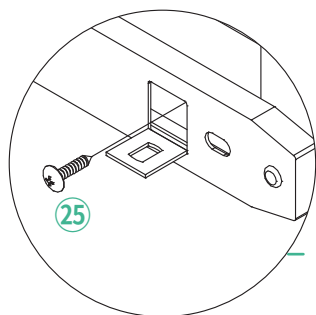
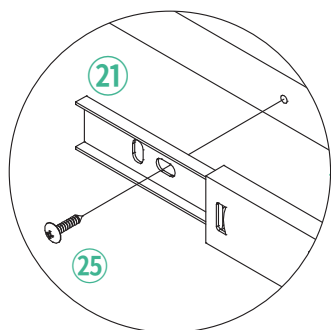
L-9

1. Please pay attention to the hole position when installing the slide rails on both sides.

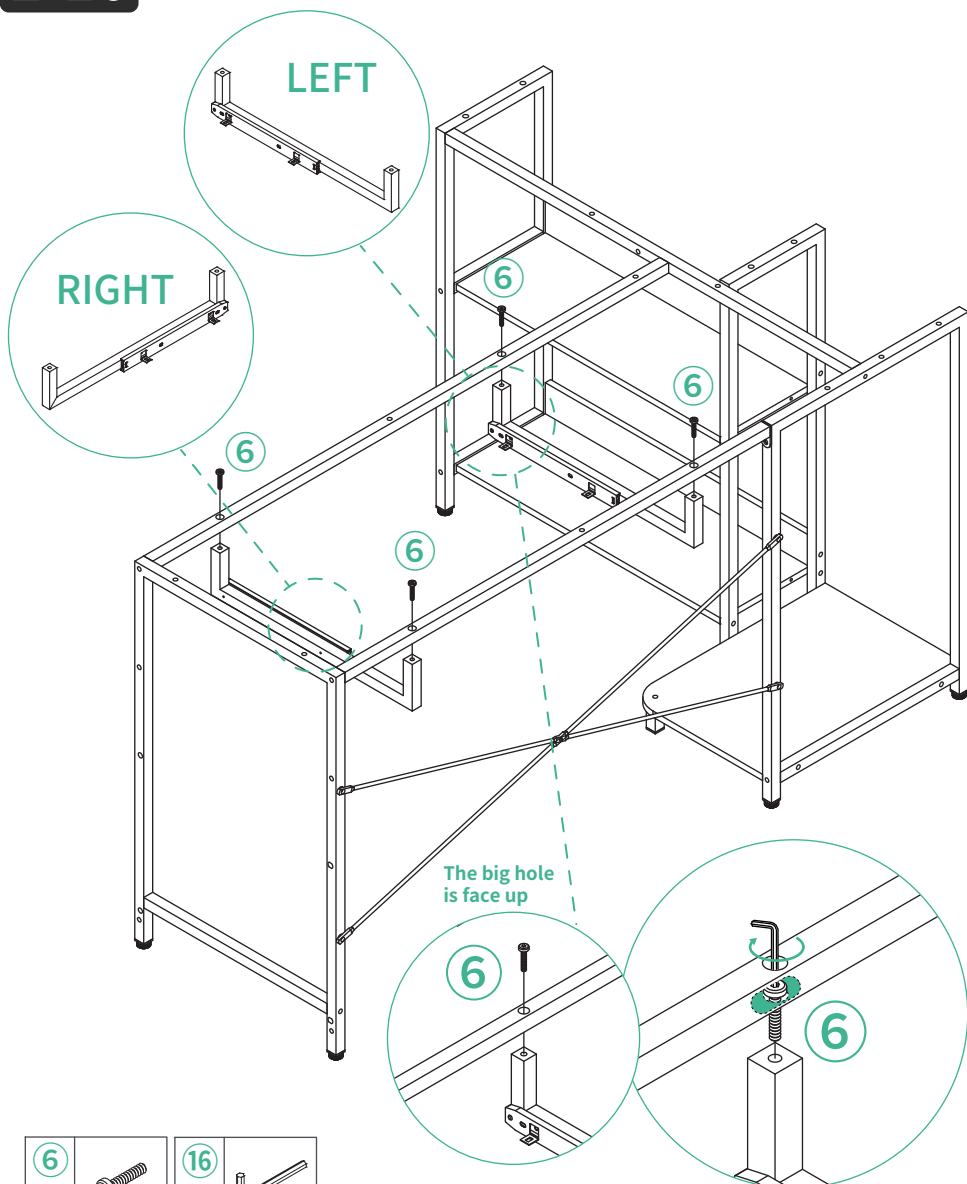
2. The screw is self-tapping, at the beginning of the installation, only need to use a little force, and then tighten the parts.



RIGHT



L-10

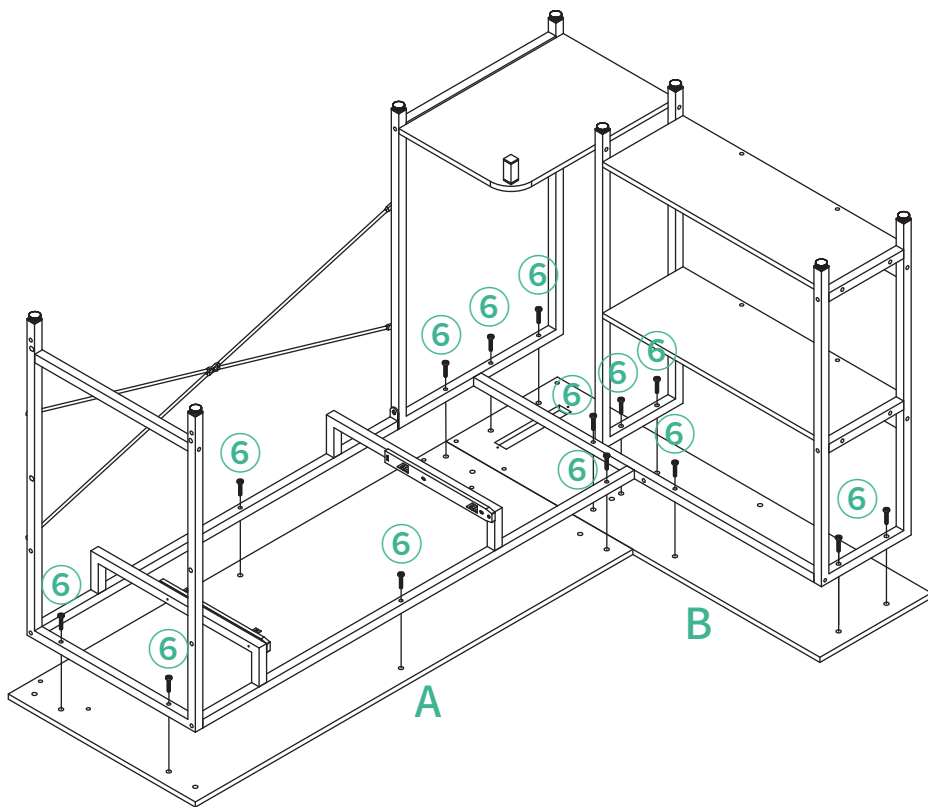


6		16	
x4		x1	

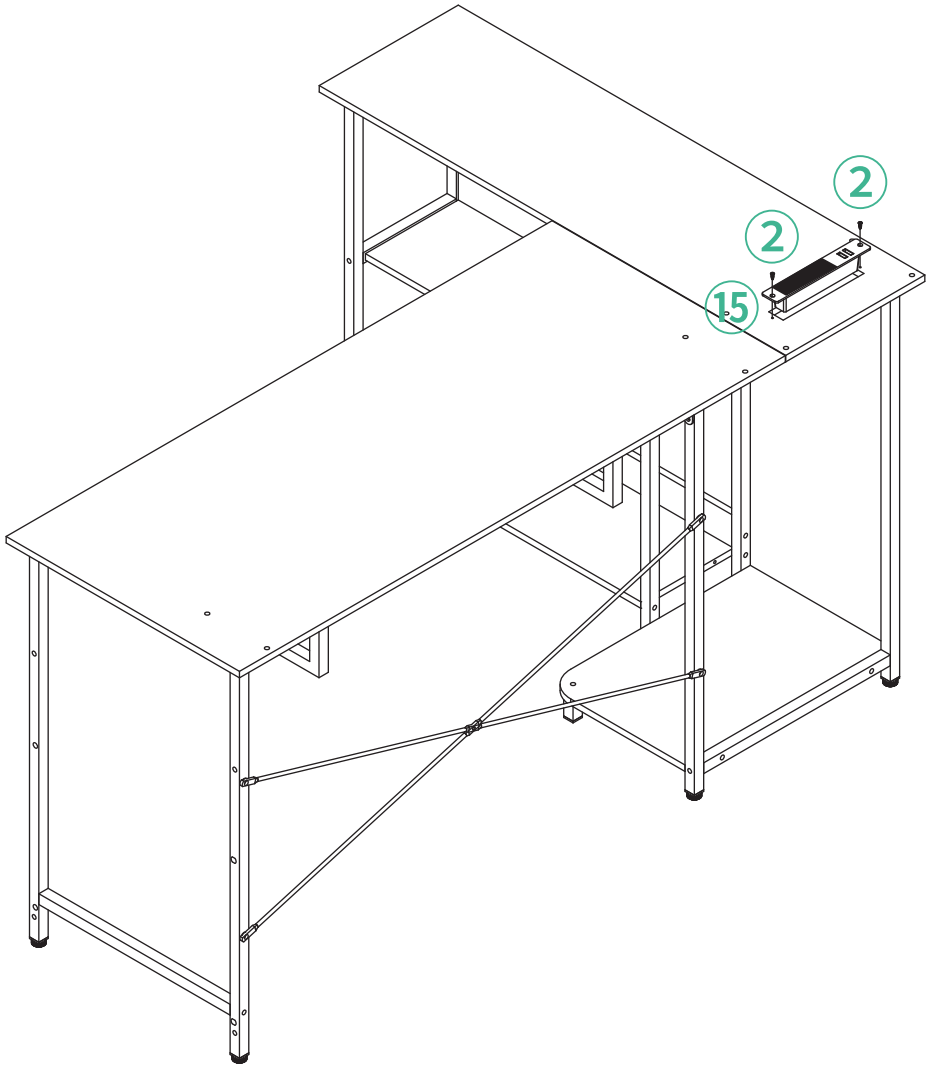
Assembly Instructions

L-11

Please screw all the screws into the corresponding holes first, and then tighten the screws after making sure desktops A and B are perfectly aligned.



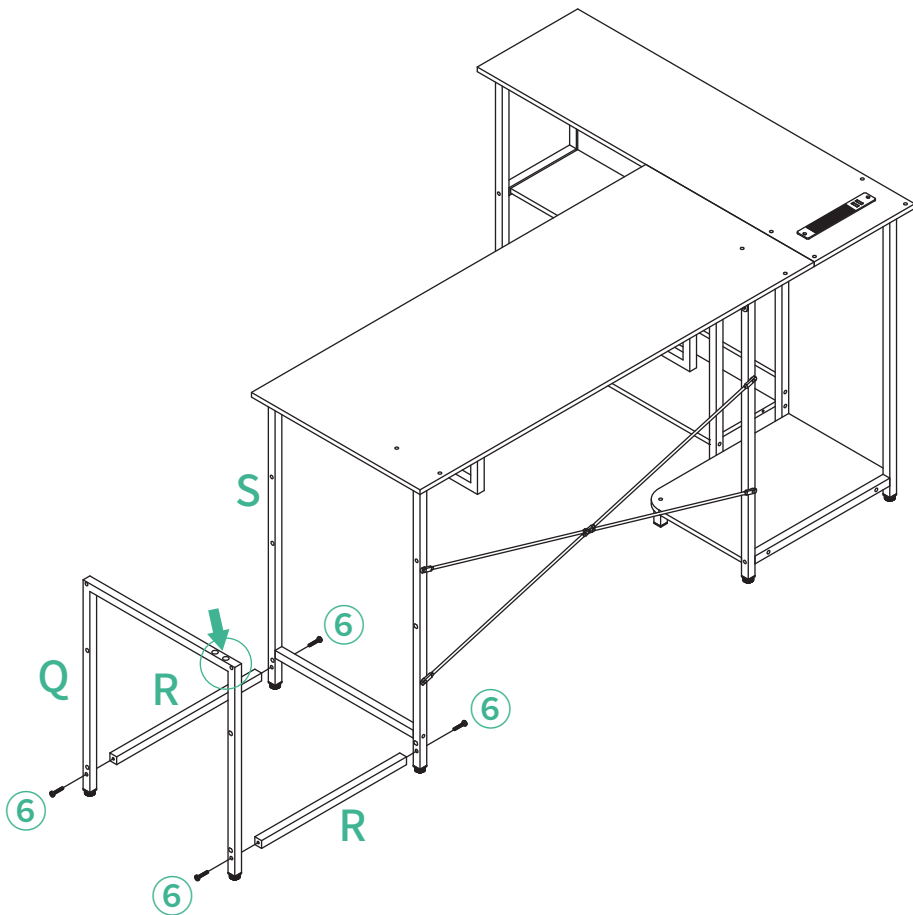
L-12



Assembly Instructions

L-13

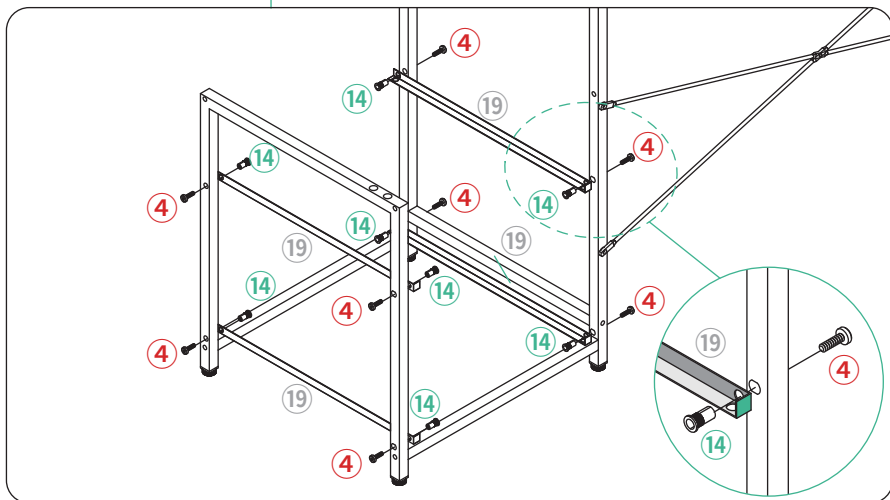
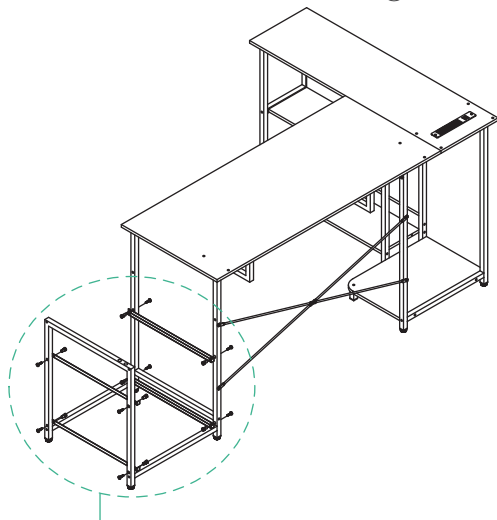
Please pay attention to the direction of the screw holes on part Q to determine the installation direction.



R x2		6 x4		16 x1	
----------------	---	----------------	---	-----------------	---

Assembly Instructions

L-14 ⑰ are the drawer rails, please install the rails in the direction shown, in case the wrong installation will result in the drawer not fitting in and will need to be dismantled and reinstalled. Please insert the nut ⑭ into the rail and the steel frame, then screw in the nut on the other side of the steel frame with the screw ④ to fix the rail.

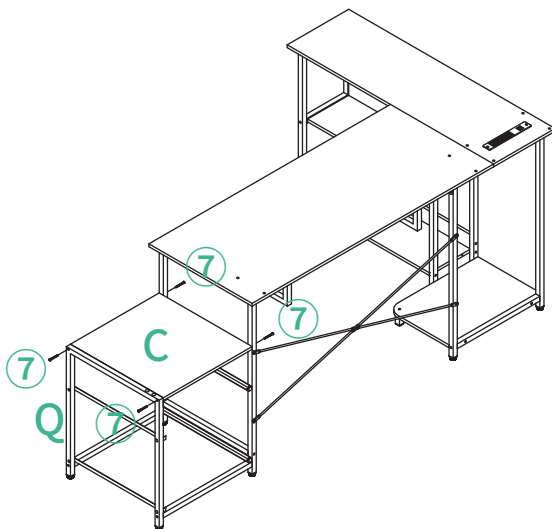
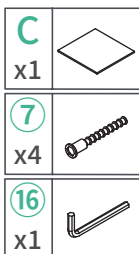


④		⑭		⑰	
x8		x8		x1	
				x4	

Assembly Instructions

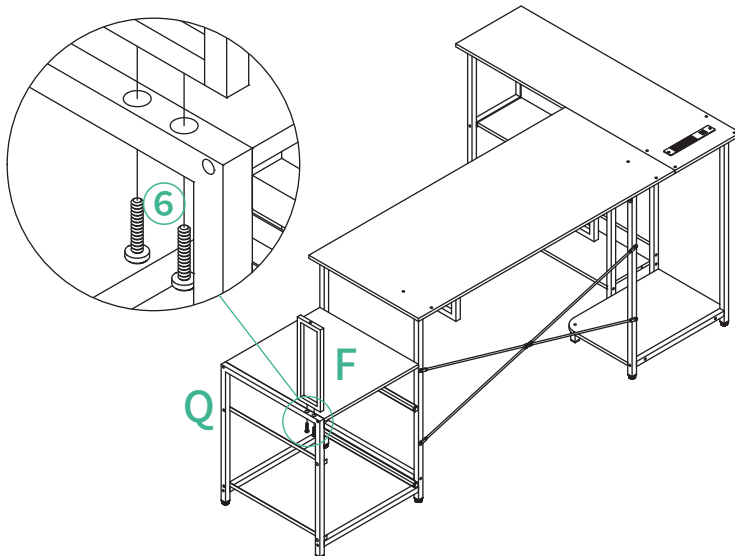
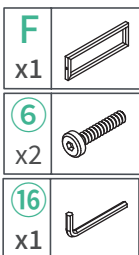
L-15

Please use the screws ⑦ to install C, and be careful not to over-tighten the screws ⑦.



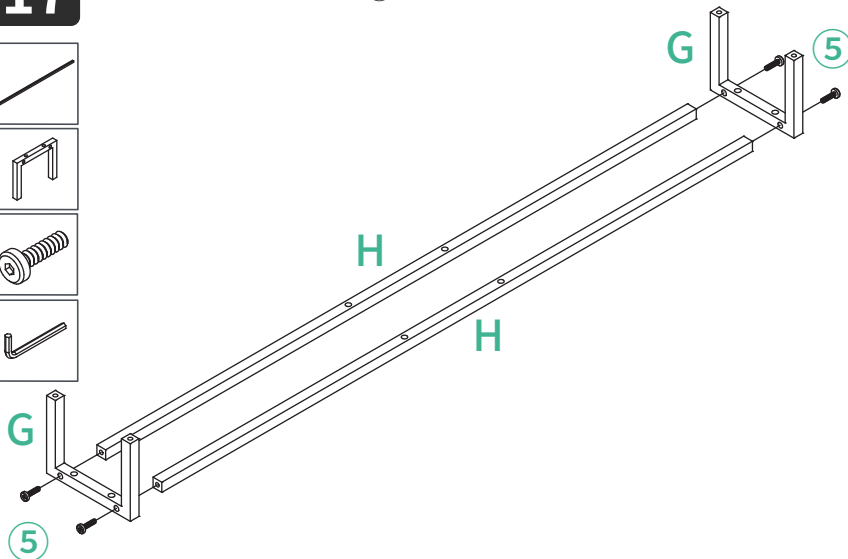
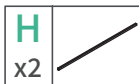
L-16

Please use the screws ⑥ to install F on Q.

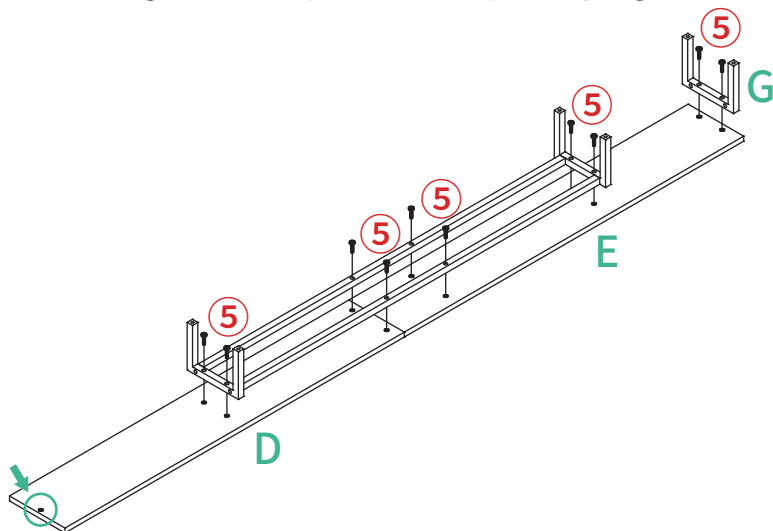


Assembly Instructions

L-17 Please use the screws ⑤ here.



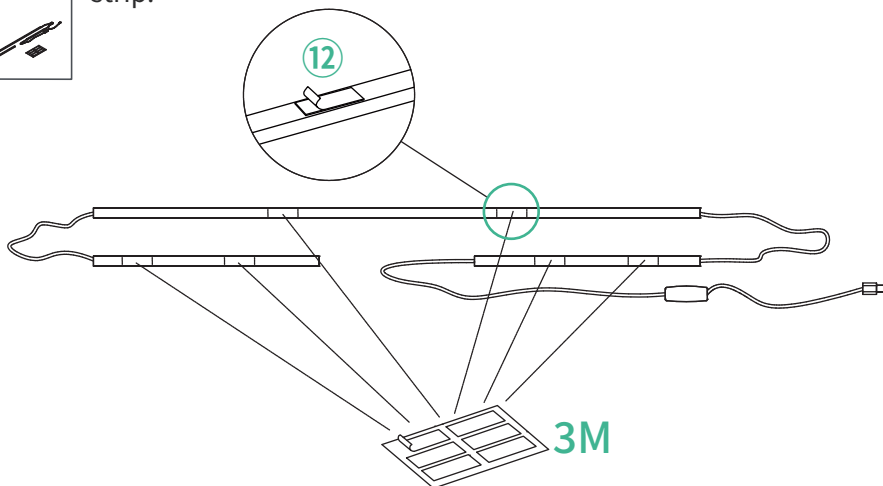
L-18 Please screw ⑤ into the board D and E, and then tighten the screws after making sure desktops D and E are perfectly aligned.



Assembly Instructions

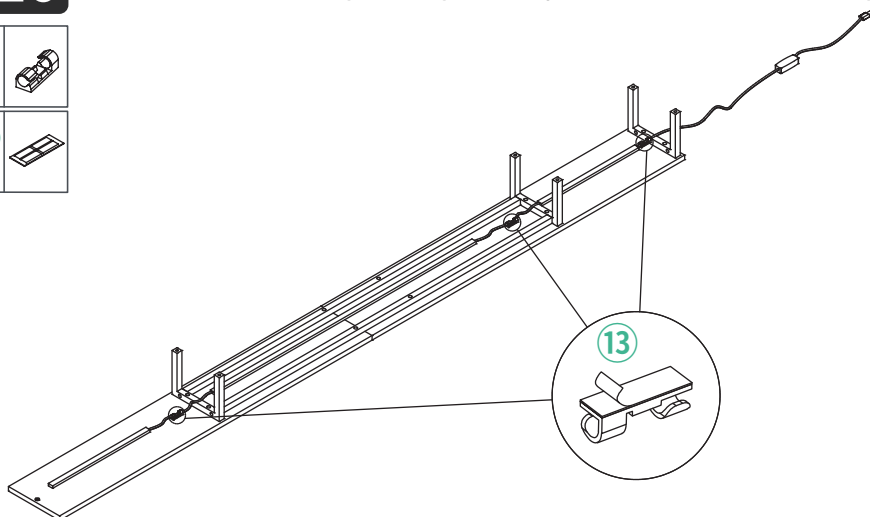
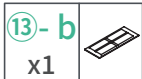
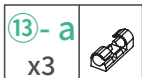
L-19

Please light up the strip to distinguish the front from the back and prevent the 3M adhesive from blocking the light on the front of the strip.



L-20

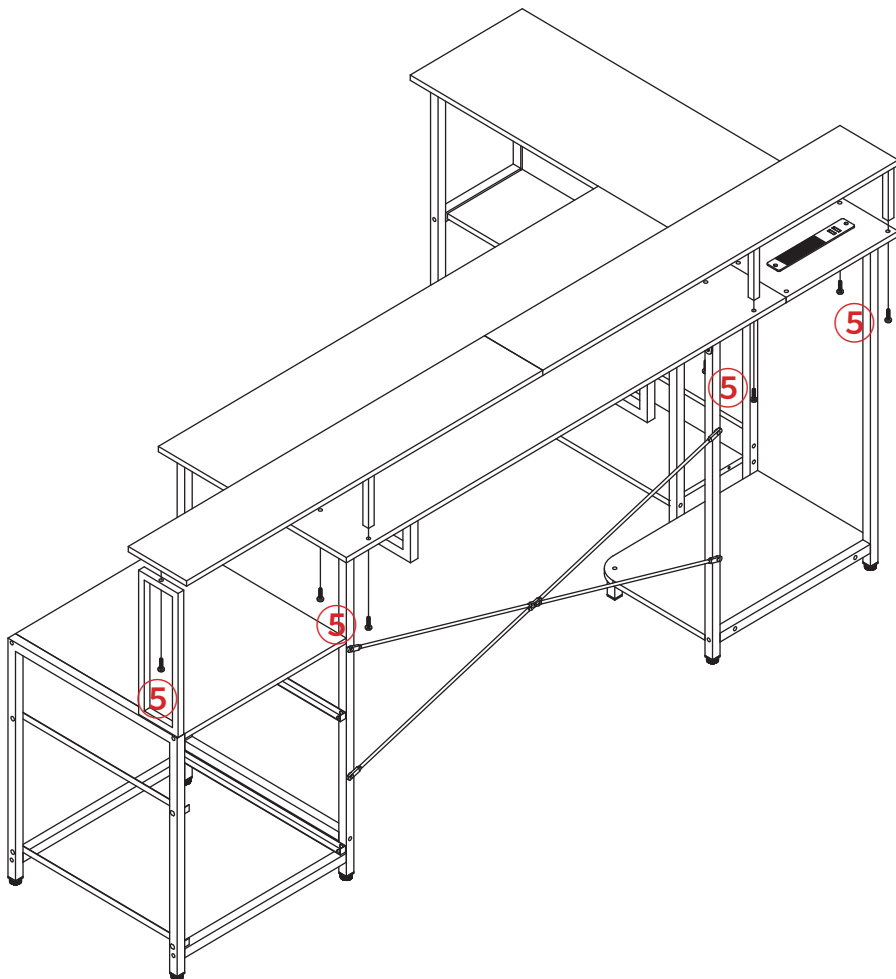
Please fix the cable clip in the position you need with the cable clip ⑬.



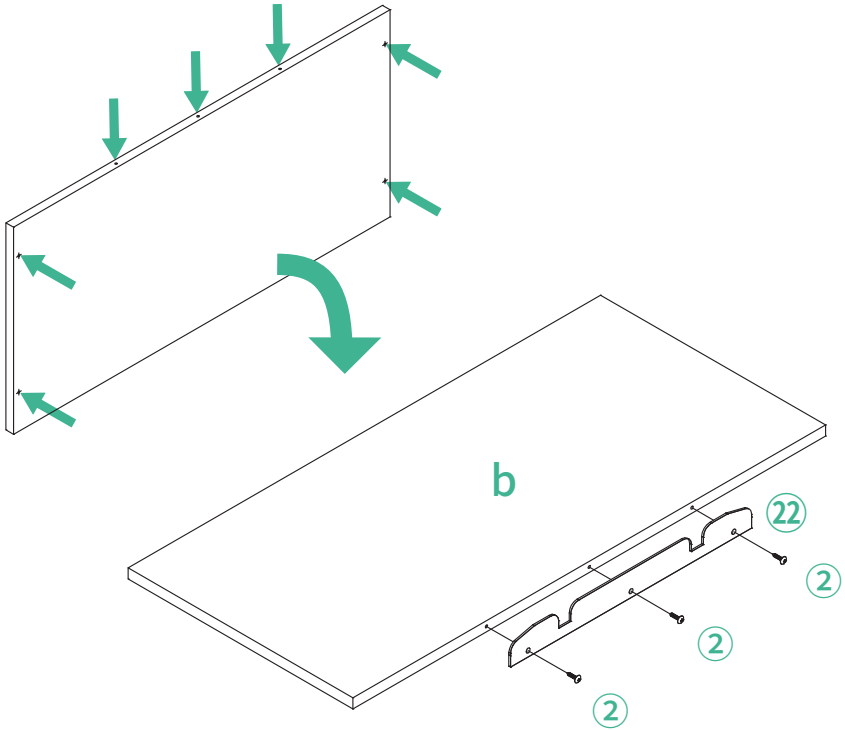
Assembly Instructions

L-21

Please gently flip the entire monitor stand to prevent it from breaking, and use screws ⑤ to secure the monitor stand to the desk.

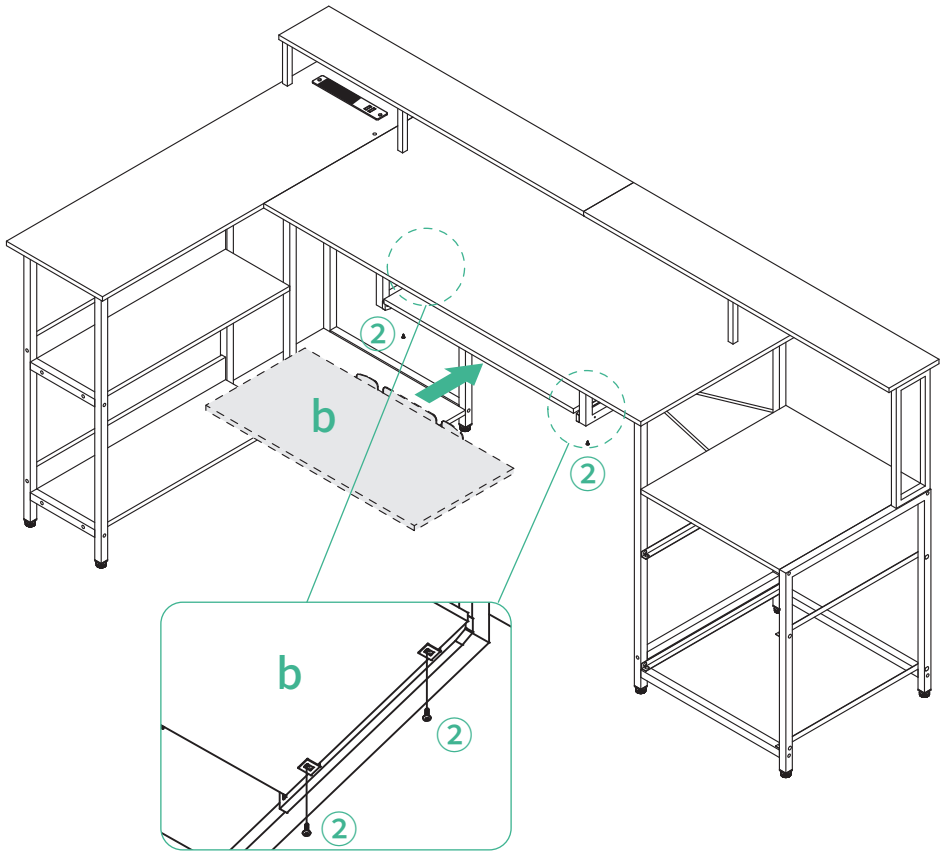


L-22



b x1		2 x3		17 x1		22 x1	
----------------	---	----------------	---	-----------------	---	-----------------	---

L-23



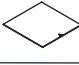




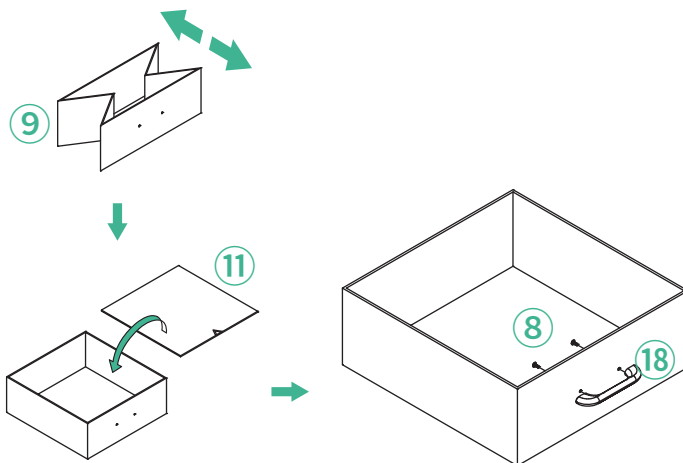
2		17	
x4		x1	

Assembly Instructions

L-24



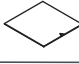


Open the drawer, put the drawer base into the drawer, and then install the drawer handle (18) with screw (8).

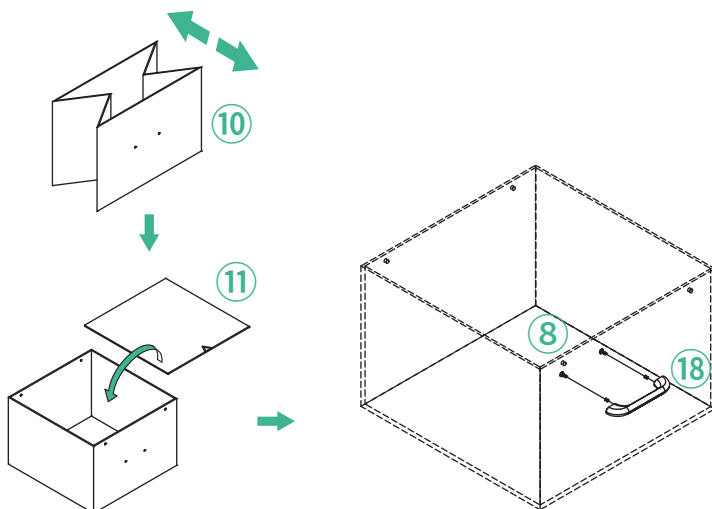
8	
x2	
9	
x1	
11	
x1	
17	
x1	
18	
x1	



L-25

Open the drawer, put the drawer base into the drawer, and then install the drawer handle (18) with screw (8).


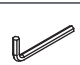

8	
x2	
10	
x1	
11	
x1	
17	
x1	
18	
x1	

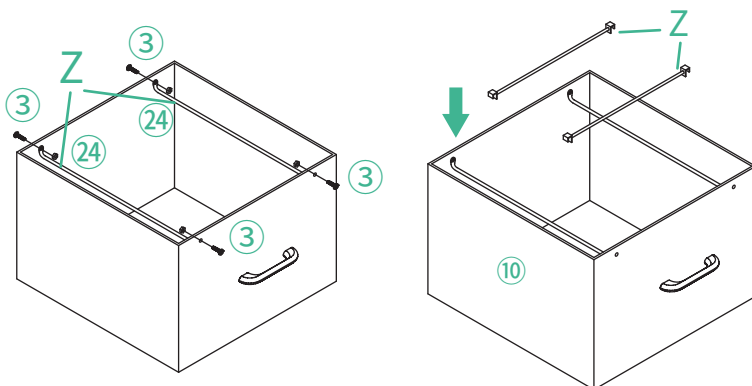


Assembly Instructions

L-26

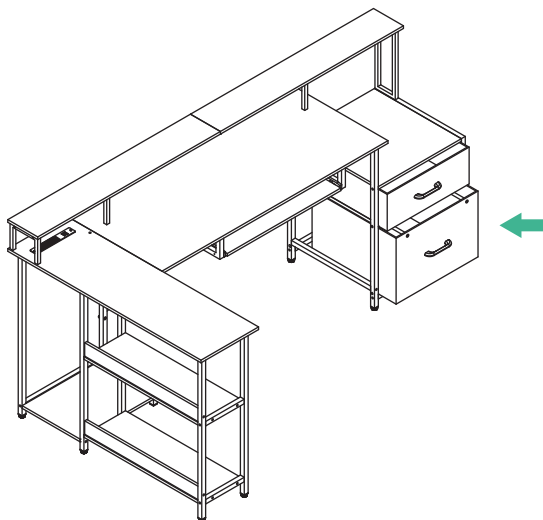
Use the screws ③ to install Z to the drawer ⑩ to hang the folder, if you do not need to hang the folder, you can choose not to attach the Z.

Z	
x1	
③	
x4	
①6	
x1	
②3	
x1	
②4	
x4	



L-27

Place the drawer into the rails, if you find that it does not fit properly, check if the rails are correctly installed according to step 14.





Static Color Button

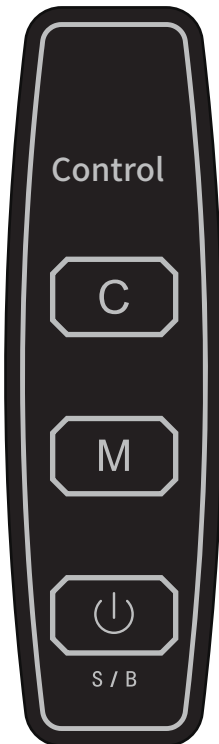


Dynamic Mode Button



S/B

Speed & Brightness
and Power Button



STATIC COLOR BUTTON

Press this button once to switch to the static color mode, and then each pressing can change the color.

DYNAMIC MODE BUTTON

Press this button once to switch to the dynamic mode effect, and then each pressing can change the dynamic mode.

Press this button for more than 2s to switch to the demo mode; In the demo mode, the strip will automatically cycle through various dynamic modes.

SPEED & BRIGHTNESS AND POWER BUTTON

A. In the static mode, press this button to adjust the brightness of the light bar; each press can switch to a brightness level.

B. In the dynamic mode, press this button to adjust the dynamic mode speed; each press can switch to a speed level.

C. Press and hold this button to shut it down when the strip is on. Press this button to turn it on when the strip is off.

The product has a power-off memory function; the strip can restore the color, brightness, and mode in the next power-on.



30 DAY Return Policy

If you're not completely satisfied with your purchase, please return the merchandise via our Official Customer Support. Unused merchandise can be refunded or exchanged within 30 days of purchase.



1-Year Warranty

We guarantee your product is free from defects in product material and workmanship for one (1) year starting from the date of purchase during normal use of household conditions. If your appliance fails to operate properly within our warranty period, we will arrange a new one. Replacement is free and all shipping costs are covered.



Quick Response within 24 Hours

If you are still unable to resolve the issue you are experiencing, please contact us immediately via our support email. It doesn't matter if the product has been installed or not, our customer support team will respond within 24 hours and assist you quickly and efficiently. The most efficient way to confirm your problem to us is to attach a video, which illustrates your product issues.

Problems You May Encounter

PART	PROBLEM	SOLUTION
Whole Product	Parts are missing, defective or having wrong parts in package.	You can contact us and we will get back to you within 24 hours. Or, you can reach us via after-sales email.
	Having issue(s) while reading the instruction or completing the assembly.	You can contact us and we will get back to you within 24 hours. Or, you can reach us via after-sales email.
	Encountering non-human caused damage during usage.	If the product is damaged due to non-human causes, please keep the product and send us photos of it. We will ascertain the cause of the product damage within 48 hours and provide you with a satisfactory solution.
Table Surface	Board Surface is broken, scratched or lack of somescrew holes.	You can contact us and we will get back to you within 24 hours. Or, you can reach us via after-sales email.
	The screw holes that on the board and the steel frame don't line up.	<ol style="list-style-type: none"> 1. Please tighten the screws on the board by 70%, do not tighten completely. 2. Adjusting board and steel frame until the screw holes are lined up, then tighten all the screws.
	The desk board is uneven or not tight that has gaps after being assembled.	<ol style="list-style-type: none"> 1. Loosen the screws in the uneven or gap positions; adjust until the desktops are flat and tight, and then tighten the screws. 2. If your problem still can't be solved, please feel free to contact us.
Steel Frame	The steel frame is bent, broken, painted, rusted or damaged.	You can contact us and we will get back to you within 24 hours. Or, you can reach us via after-sales email.
	The table is unstable after being assembled.	<ol style="list-style-type: none"> 1. Check if the screws are tightened. 2. Read throughout the manual, check are there any parts installed incorrectly or missing assembled. 3. If your problem still can't be solved, please feel free to contact us.
	Encountering non-human caused damage during usage.	If the product is damaged due to non-human causes, please keep the product and send us photos of it. We will ascertain the cause of the product damage within 48 hours and provide you with a satisfactory solution.

We are committed to providing our customers with premium quality products and convenient customer service.

MADE IN CHINA