



Assembly Instruction Manual

Please read instructions thoroughly before beginning assembly.

Check boxes carefully for contents listed. Some parts are packaged inside of others.

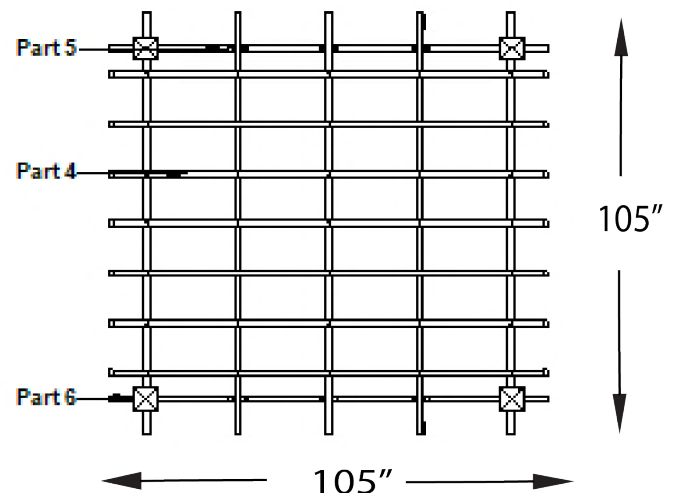
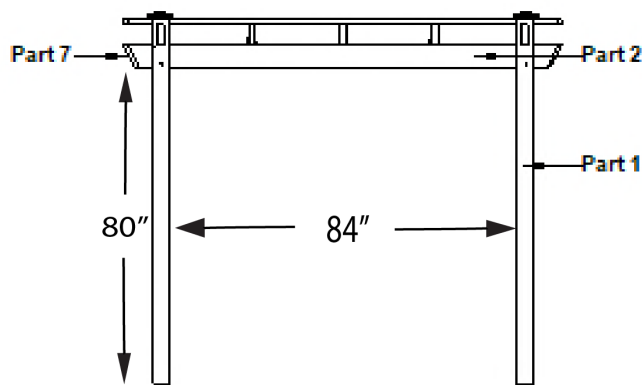
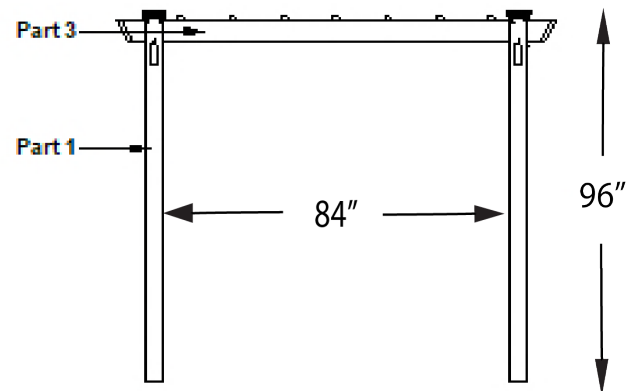
Assemble on a clean, flat, non-abrasive surface to prevent scratching.

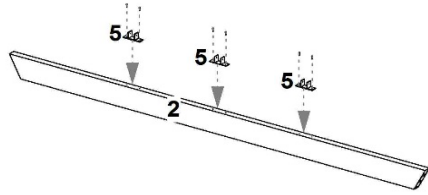
In the event of missing or damaged parts please call or email our customer service department at the contact info below.

Tools Required

- Battery or Electric Drill (#2 phillips bit)
- Tape Measure
- Hammer or Rubber Mallet (recommended)
- Shovel or Post Hole Digger (recommended)

Part #	Description	Dimension	Box #	Qty
1	Post	4" sq. x 93"	2	4
2	Bottom Support Rail	1 1/2" x 5 1/2" x 106"	3	2
3	Upper Support Rail	1 1/2" x 5 1/2" x 106"	3	5
4	Top Cross Rail	7/8" x 1 1/2" x 106"	3	7
5	Upper Support Bracket	1 1/2"	1	6
6	New England Post Cap	4" sq.	1	4
7	Top End Cap	6 1/8"	1	14
8	Ground Anchor (U-shaped)	24"	2	4
9	Hardware Bag (Includes):		1	1
	▪ End Cap	7/8" x 1 1/2"		14
	▪ Painted Screw	2"		48
	▪ Painted Screw	1 1/4"		35
	▪ Painted Screw	3/4"		24
	▪ #8 Self Tapping Screw (For ground anchors)	1"		8
	▪ Super Glue Tube			1



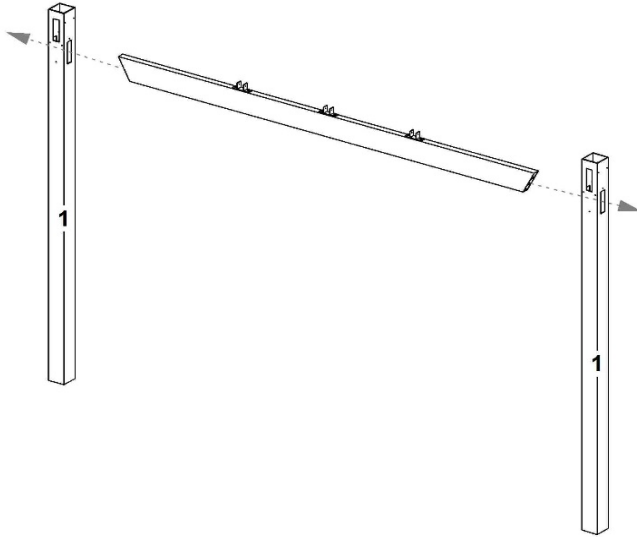


1

Lay out one lower support rail (part 2).

[Lower support has six pilot holes drilled in top edge]

Using $\frac{3}{4}$ " painted screws, fasten three upper support brackets (part 5) to lower support.

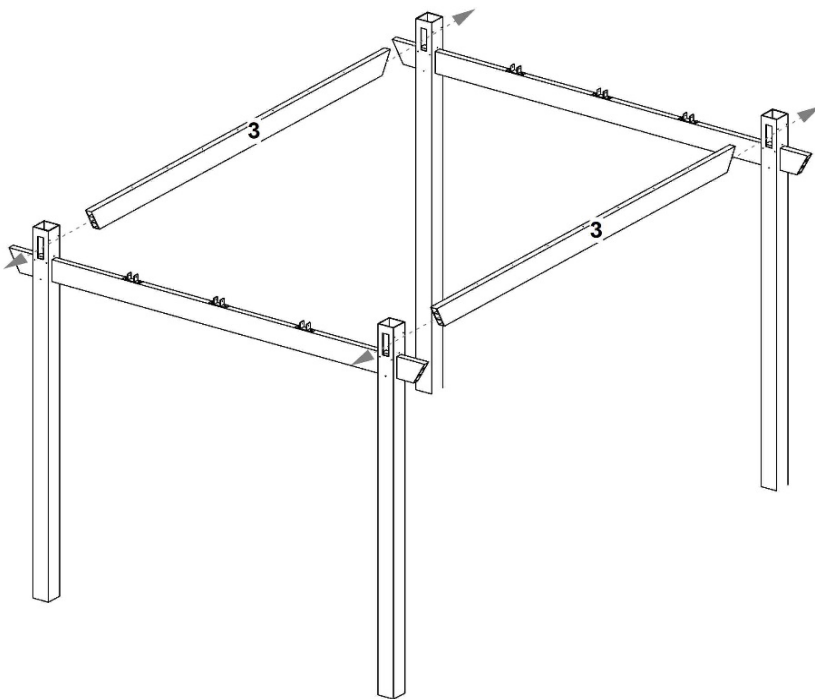


2

Insert ends of lower support rail through bottom routed holes of two posts (part 1).

Do not screw together at this time.

REPEAT steps 1 and 2 using remaining lower support, upper support brackets and posts.

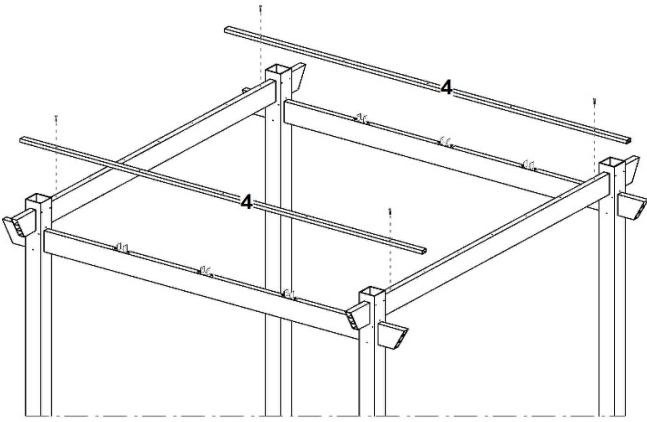


3

Insert ends of two upper support rails (part 3) through top routed holes of posts.

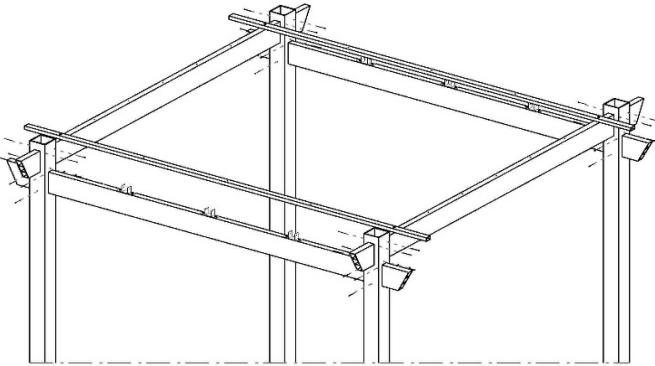
[Upper support have seven equally spaced pilot holes drilled in top edge]

Do not screw together at this time.



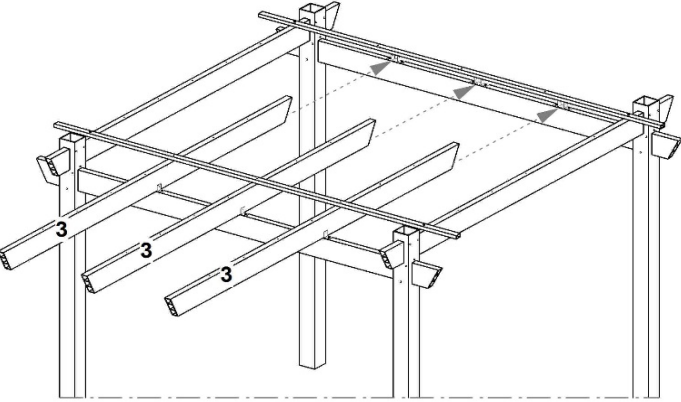
4

Lay two top cross rails (part 4) onto upper supports. To set width of pergola, line up outer most holes of top rails with outer most pilot holes of upper supports. Using 1¼" painted screws, fasten top rails to upper supports.



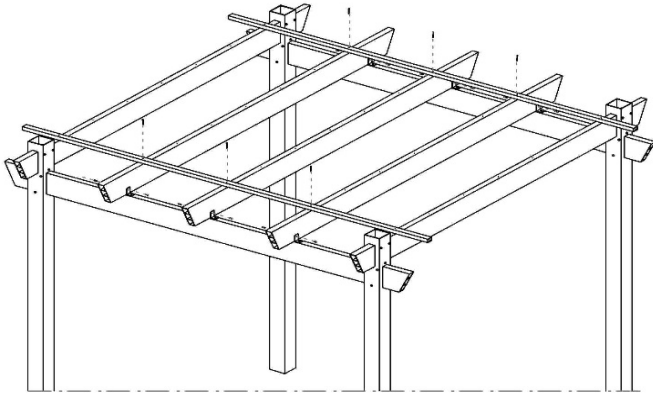
5

Using 2" painted screws, screw together all posts and supports.



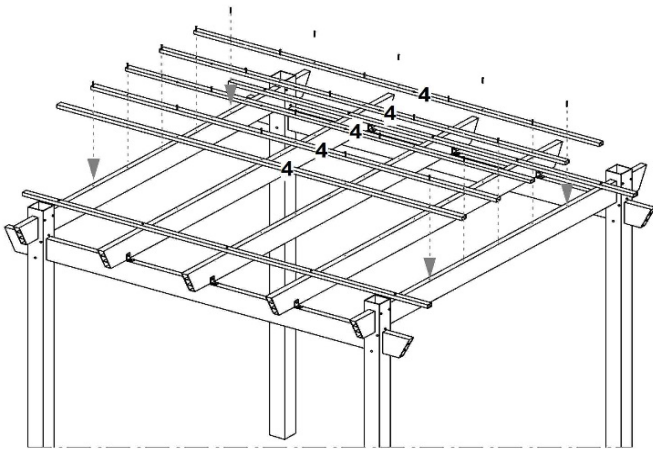
6

Slide three remaining upper support rails (part 3) through upper support brackets, underneath top rails.



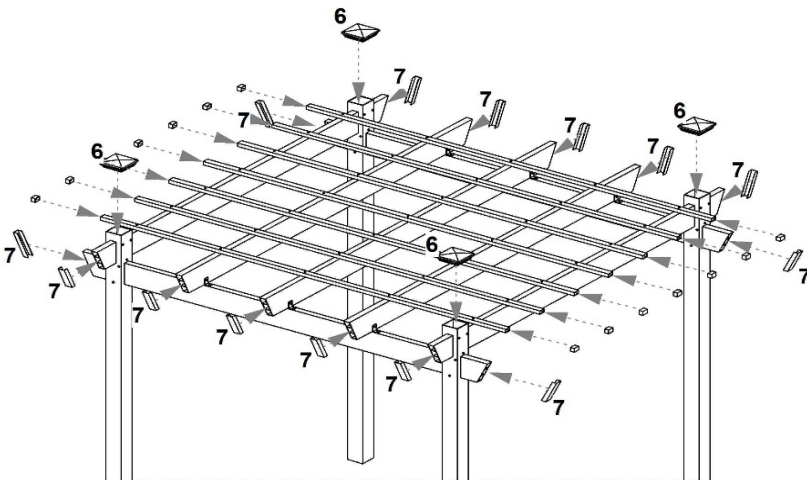
7

Using 1¼" painted screws, fasten top cross rails to upper supports.
[This will center remaining upper supports]



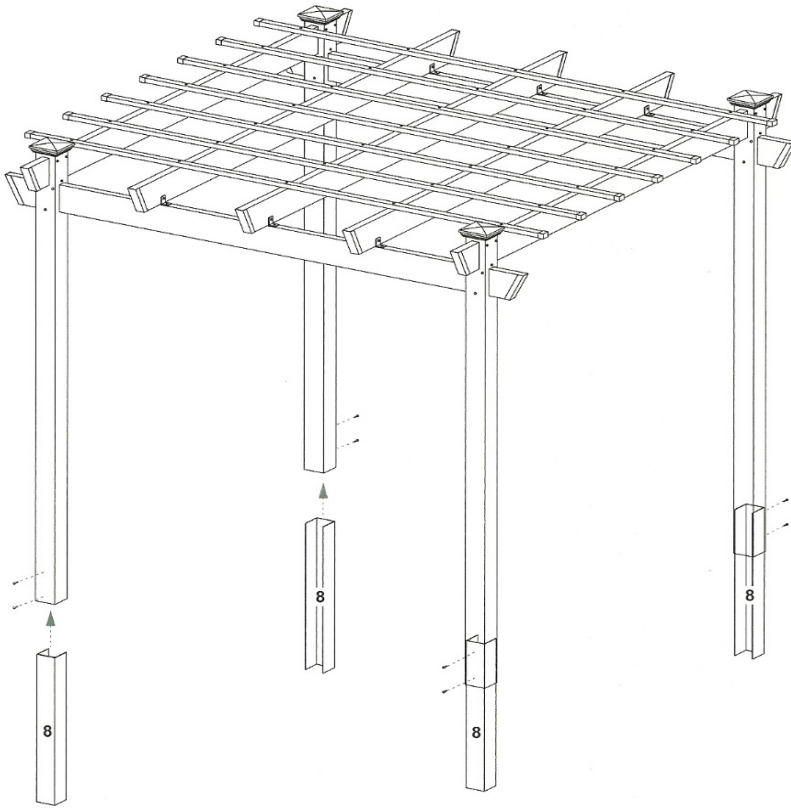
8

Using 1¼" painted screws, fasten remaining top cross rails (part 4) to upper supports.



9

Using included Super Glue, glue post caps (part 6) to top of posts. Glue support end caps (part 7) to ends of upper and lower supports. Glue ⅞ x 1½" end caps to ends of top cross rails.



Option 1 (soft ground)

Slide one ground anchor (part 8) into bottom of each post (approximately 8 inches). Using two 1" self-tapping screws per post, screw the post to ground anchor using the pilot holes for guides.

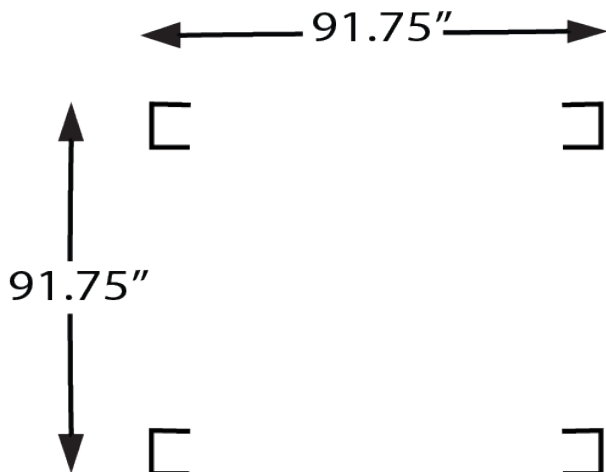
Using ground anchor installation layout drawing, dig holes approximately 18" deep. Set arbor in holes and level. Back fill with soil removed from holes.

Option 2 (permanent installation)

NOTE: There is very little room for error with this installation method.

Using ground anchor installation layout drawing, dig holes 18" deep according to dimensions. Fill with cement and place ground anchors in wet cement. Be sure that ground anchors are straight and in accordance with dimension of ground anchor installation layout drawing. Allow cement to dry.

Slide pergola over ground anchors. Using two 1" self-tapping screw, fasten post to ground anchor.



Warranty Statement

20 Year Guarantee

The products are warranted to be free from manufacturing defects resulting in delaminating, peeling, flaking, corroding, cracking, crazing, or extreme amounts of fading or bleaching causing the PVC to change to its natural color for a period of 20 years from the date of purchase.

Normal weathering is defined as exposure to sunlight and extremes of weather and atmosphere which will cause any colored surface to gradually fade.

CONDITIONS NOT COVERED BY THIS WARRANTY:

- A. Physical abuse, misuse, neglect, or improper storage.
- B. Improper installation or installation not in strict adherence to the instructions written.
- C. This warranty does not apply if materials are painted, varnished, or coated with any substance.
- D. It is not responsible for damages to product during shipping.
- E. Damage attributable to atmospheric pollutants, hail, lightning, hurricane, tornado, wind borne objects, earthquake, fire, mildew, casualty, act of God, building or ground settlement, or subjection to stress or weight.

CLAIMS AND REMEDIES:

If the product is determined to have a manufacturing defect which is covered by this warranty, we will replace the material containing the defect (labor not included) from the point of manufacture. we will not be responsible for any cost incurred in the removal or re installation of the product.

Important: We shall not be liable for any incidental, special, or consequential damages arising out of the use of these products.