

# Thank you for your order!

We appreciate your business. Additional information on your product may be available on our website.



Happy?

Wonderful! We are very glad. Please share your experience with us and others. It helps us know what you like best!



Not happy?

Please give our St. Louis customer service a call

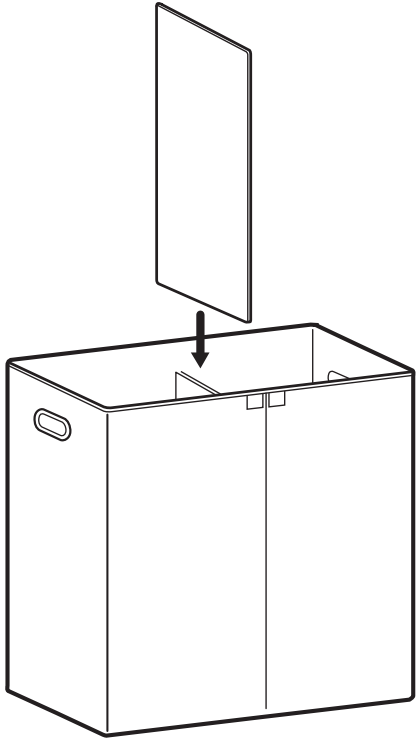
- Missing parts?
- Having trouble with assembly?

# Double Collapsible Laundry Hamper



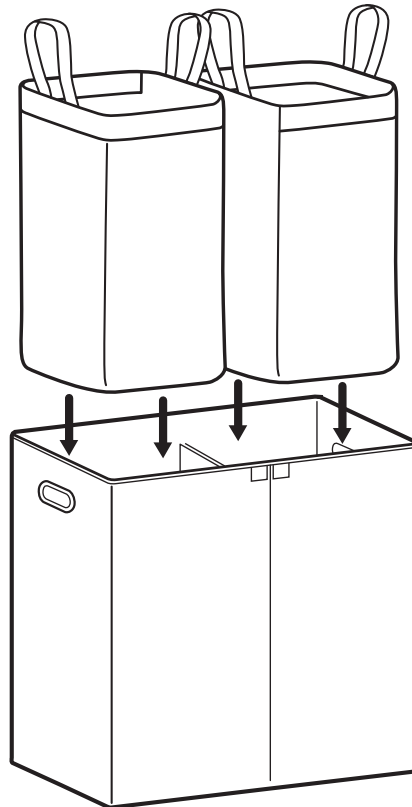
## Assembly

- 1 Unfold hamper and insert middle panel into divider pocket of hamper. Fold over pocket cover and attach to other side.



- 2 Insert bag, wrapping trim over the edge of the hamper making sure the flat edge runs along the middle.

Secure hook and loop patches



## Assembly con't

- 3 Attach lid! Match the long hook and loop patch on the lid to the hamper. Fold over the top to close. Bag handles may be inside or outside of the hamper, as desired.

