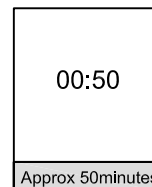
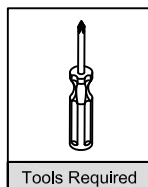
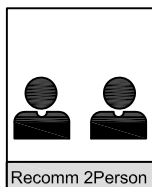
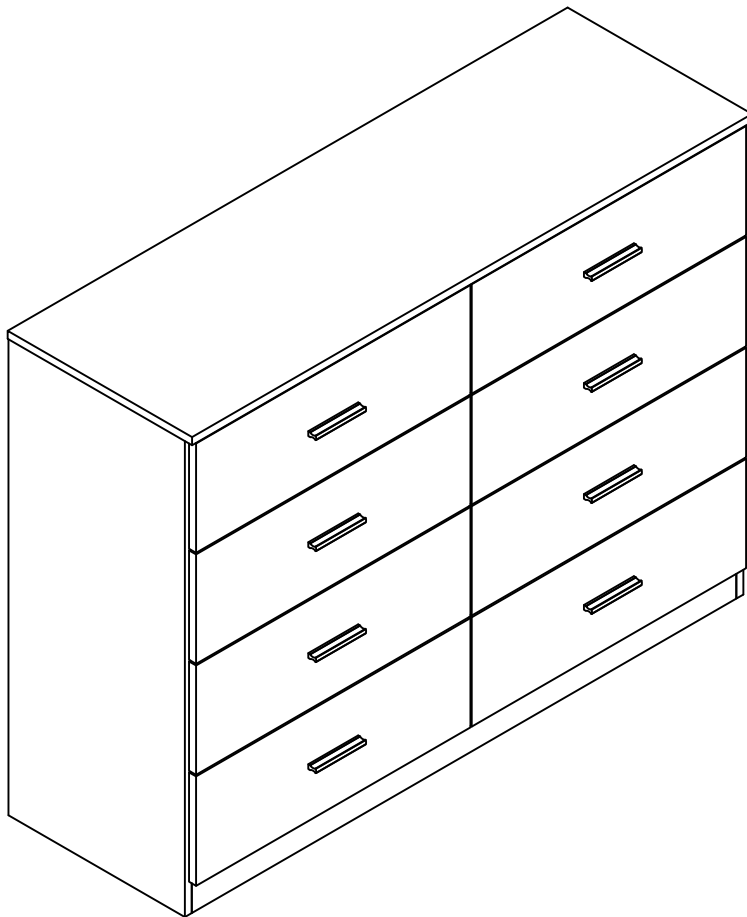


Assembly Instruction

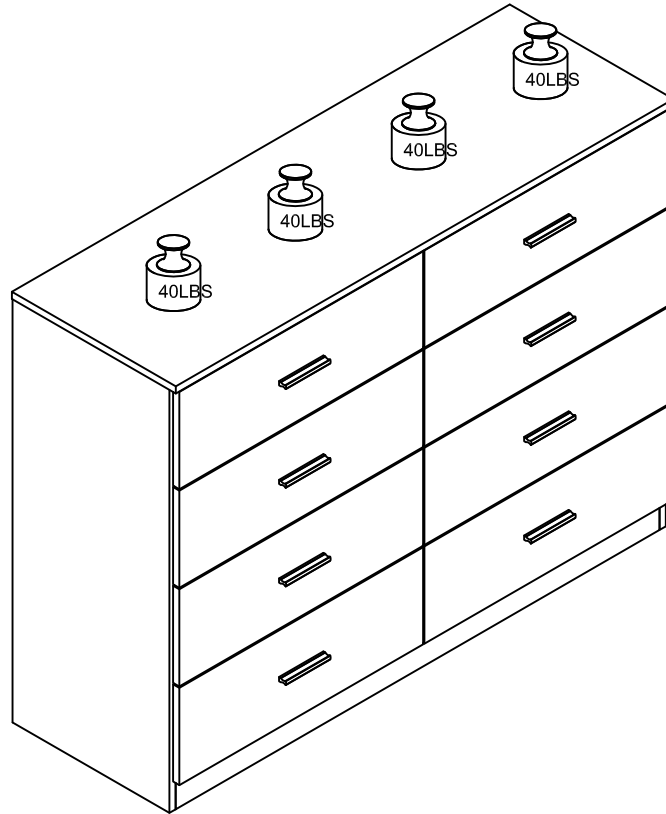
8- DRAWER DRESSER





Recommended Maximum Weight

WARNING



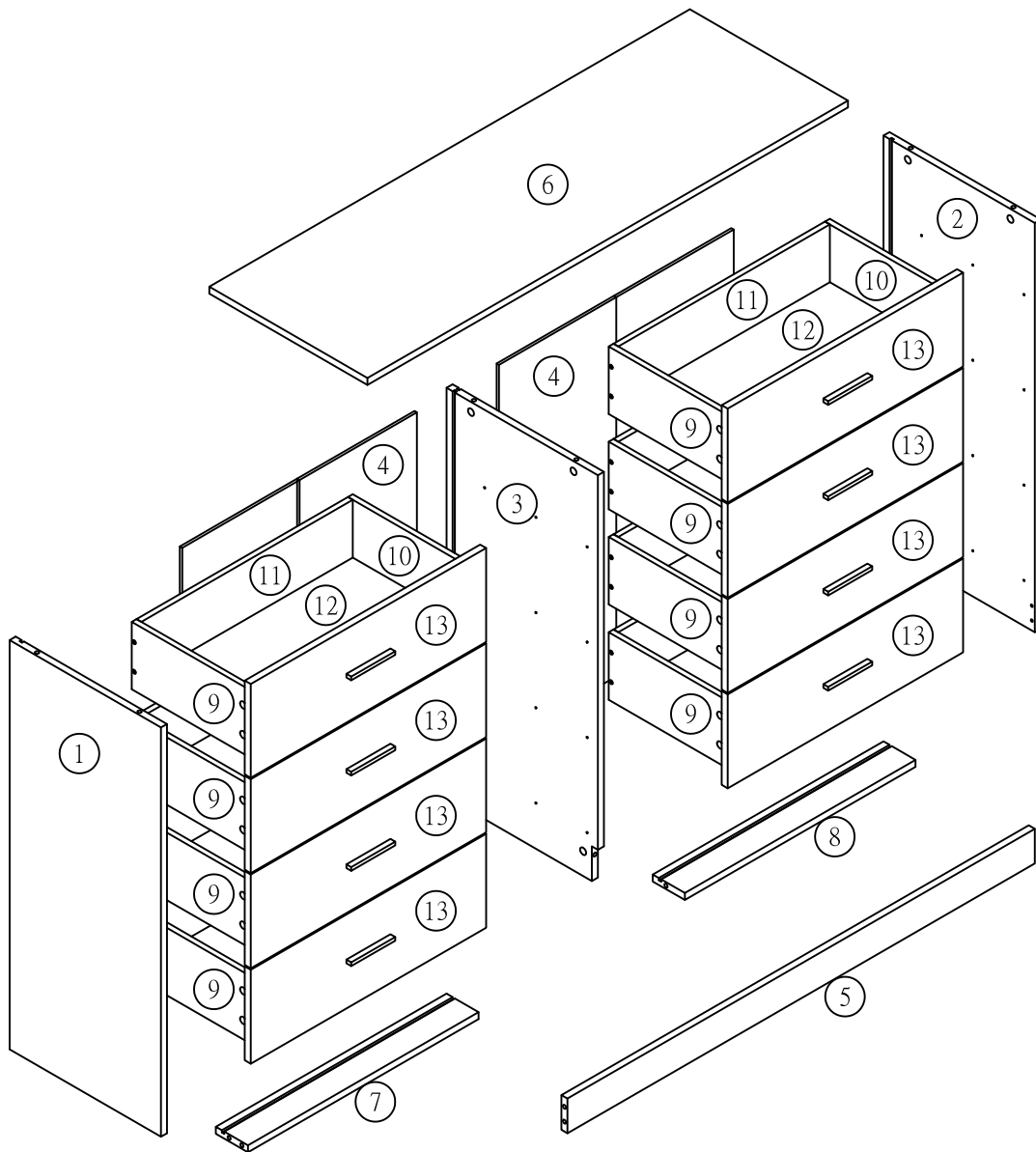
Read all instructions before using this product.

1. This unit has been designed to support the maximum loads shown. Exceeding these load limits could cause sagging, instability, product collapse, and/or serious injury.
2. Avoid sharp objects and corrosive chemicals to prevent damage to the product or bodily injury.
3. Not intended for use in humid environment to prevent mildew, such as bathrooms, laundry areas and similar indoor locations. Do not use outdoors.
4. Don't allow anybody stand or climb on the unit. Serious or fatal crushing injuries can occur from furniture tip over. To prevent tip over this furniture must be used with the wall attachment devices provided.



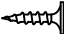
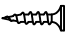



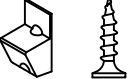


Useful Hints before you start:

1. Place soft packaging material on the floor to protect surface of product during assembly work.
2. It is important that each step is performed in correct order to avoid difficulties.
3. Align all screws with corresponding pre-drilled holes first and tighten.
4. Screws may become loose during long-term use, retighten them to ensure stability and security.
5. Using incompatible hardware might cause damage to product.

Parts Identification

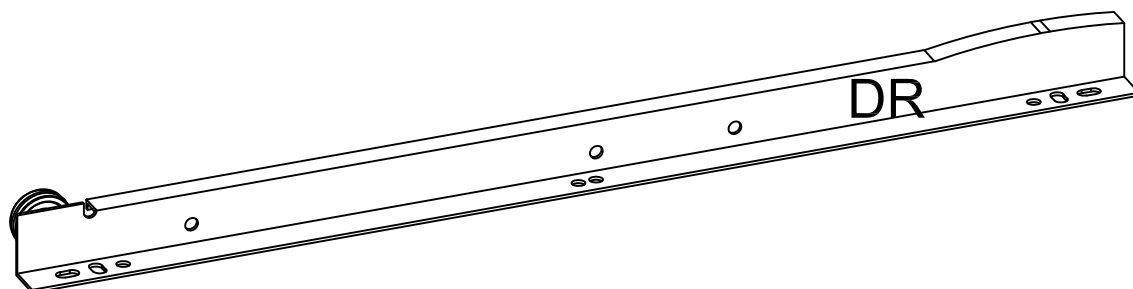
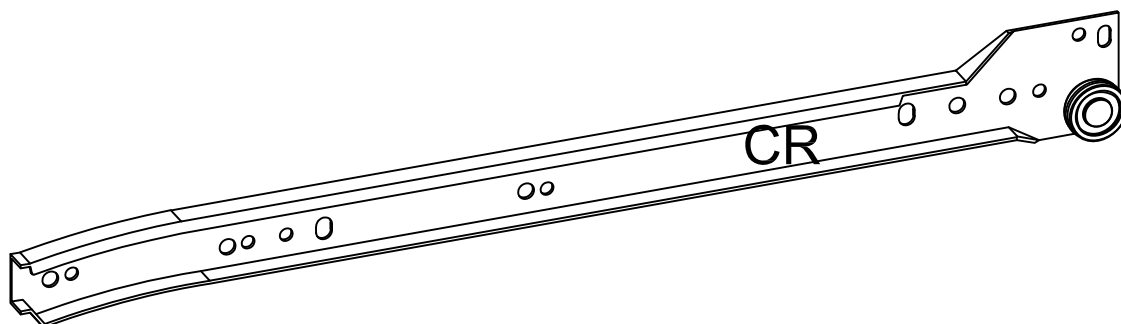
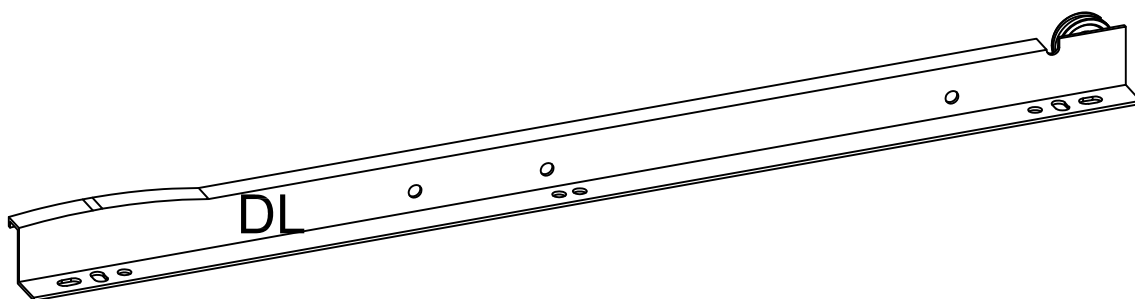
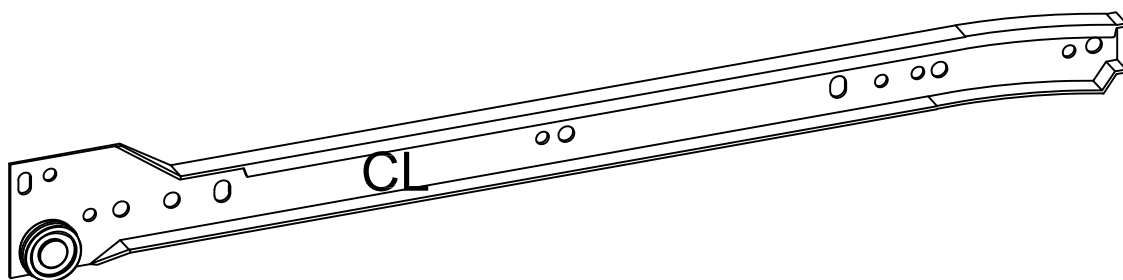


Hardware Identification

 A*49+3	 B*49+3	 C*12+1	 D*84+3	 E*8	 F*16
 G*32+3	 H*8	 I*8	 J*2		

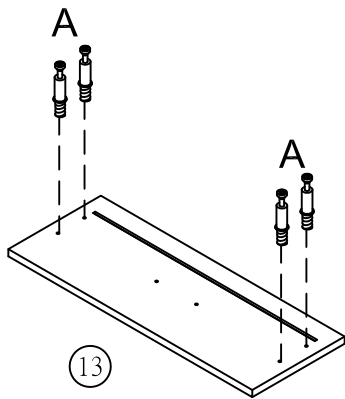
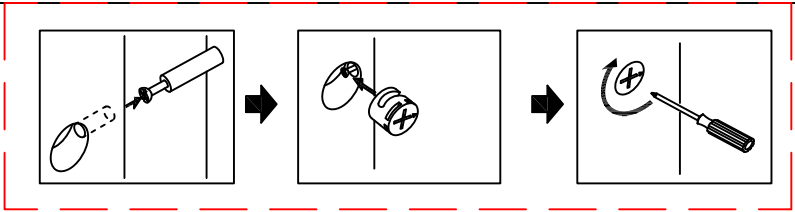
Extra hardware is enclosed for your convenience.

Don't confuse hardware left with right.

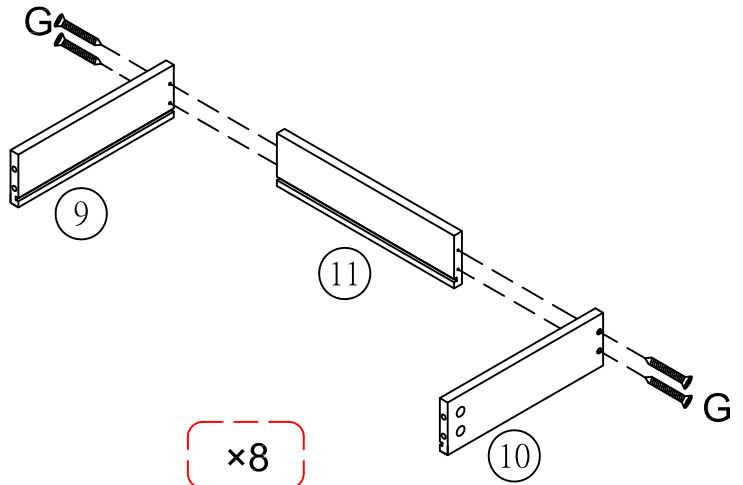


1*8

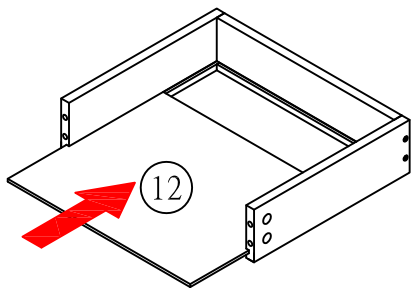
STEP 1



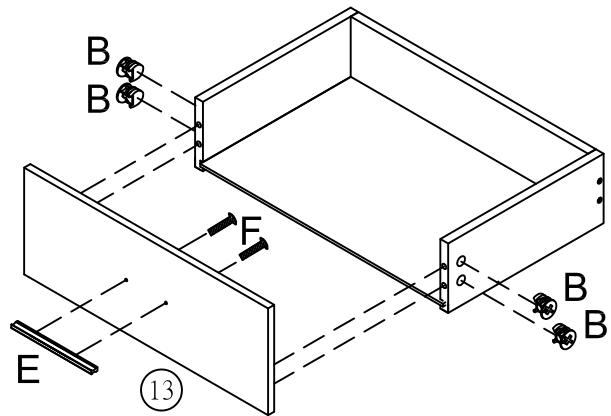
x8



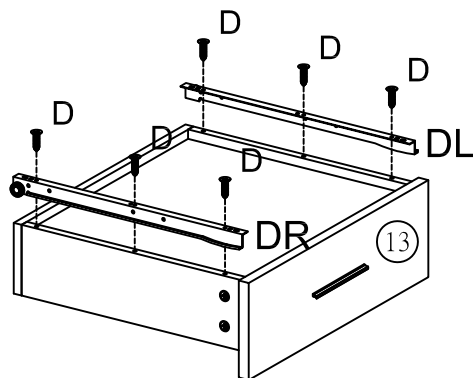
x8



x8



x8

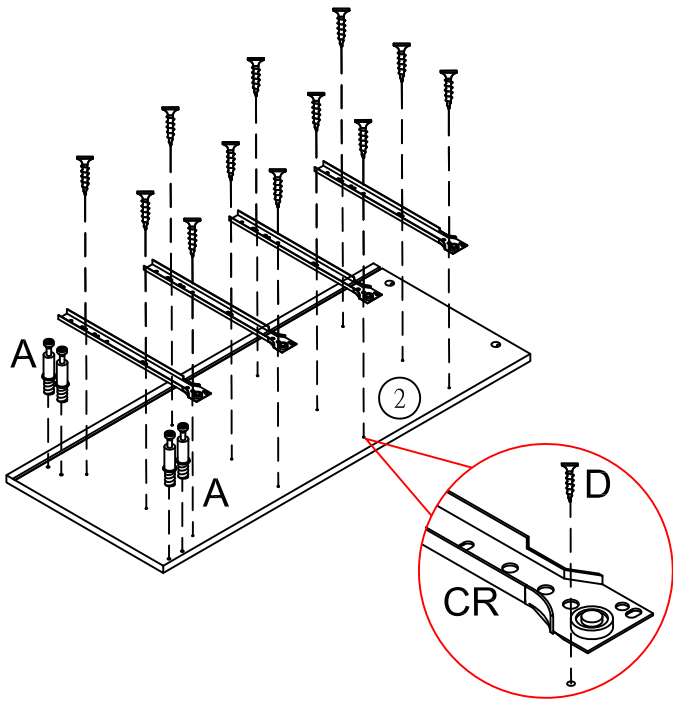


x8

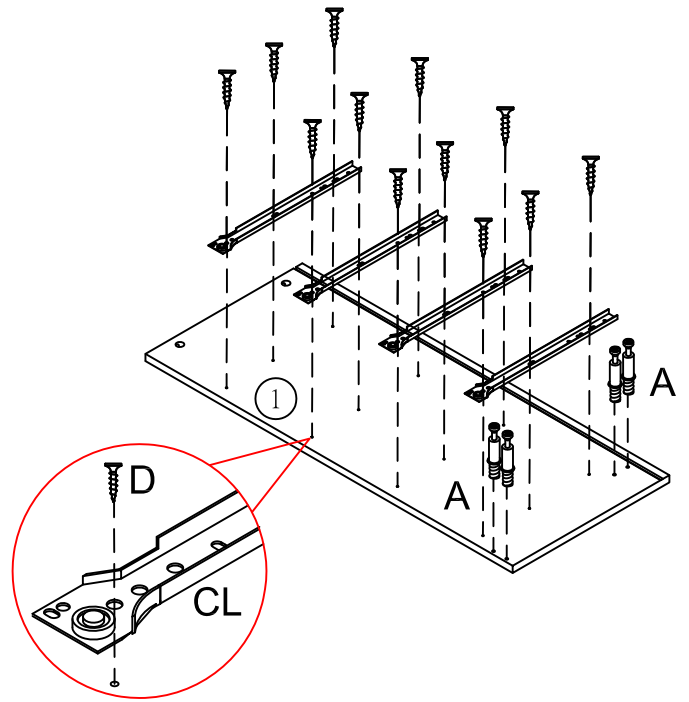
13 *8 9 *8 10 *8 11 *8 12 *8

A*32 B*32 G*32 E*8 F*16 DR*8 DL*8 D*48

STEP2

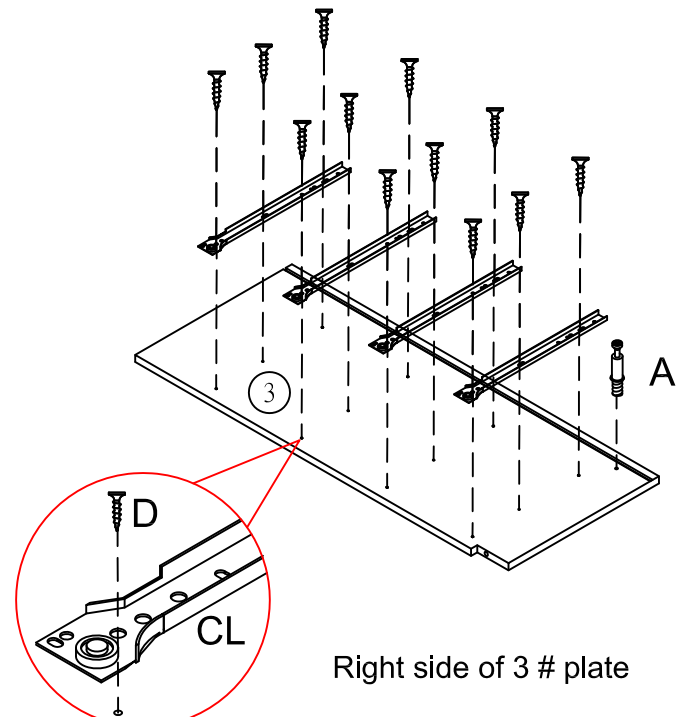
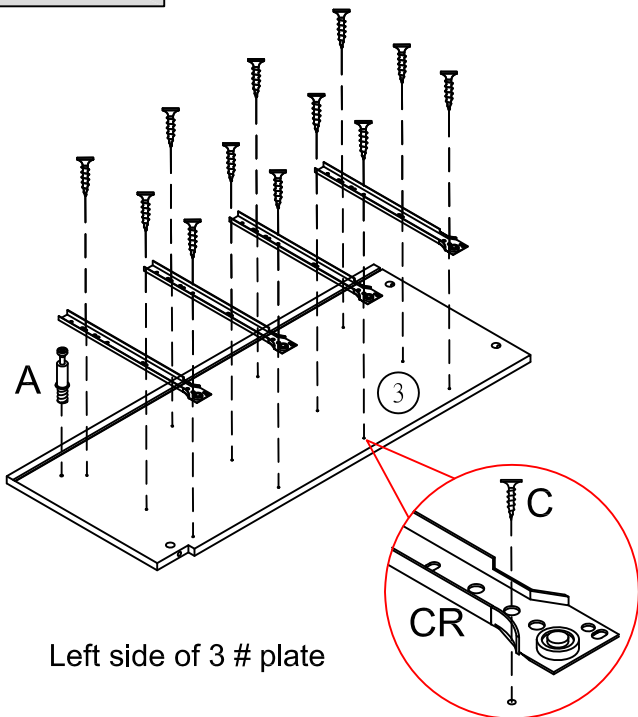


② *1 A*4 CR*4 D*12



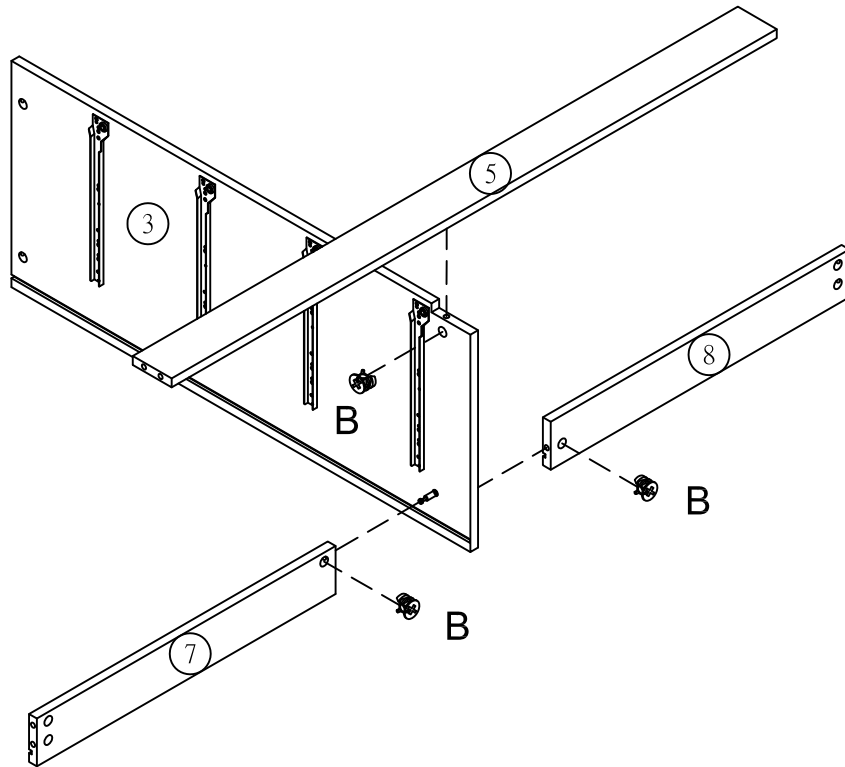
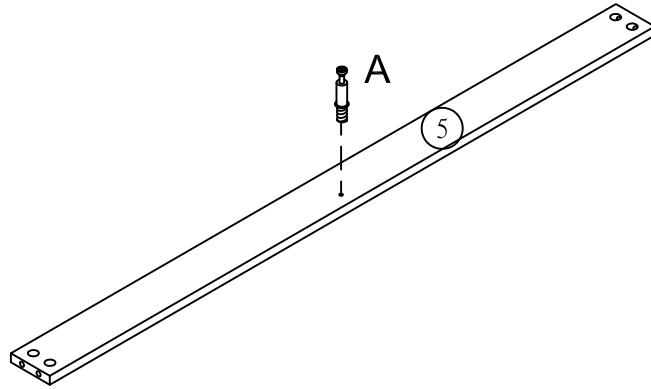
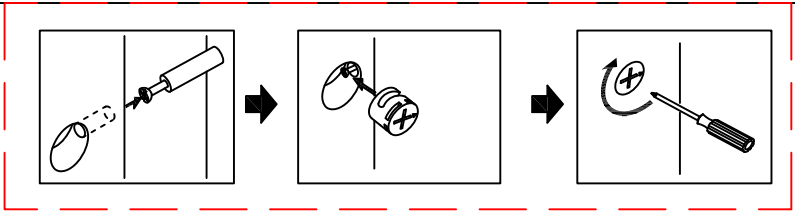
① *1 A*4 CL*4 D*12

STEP3



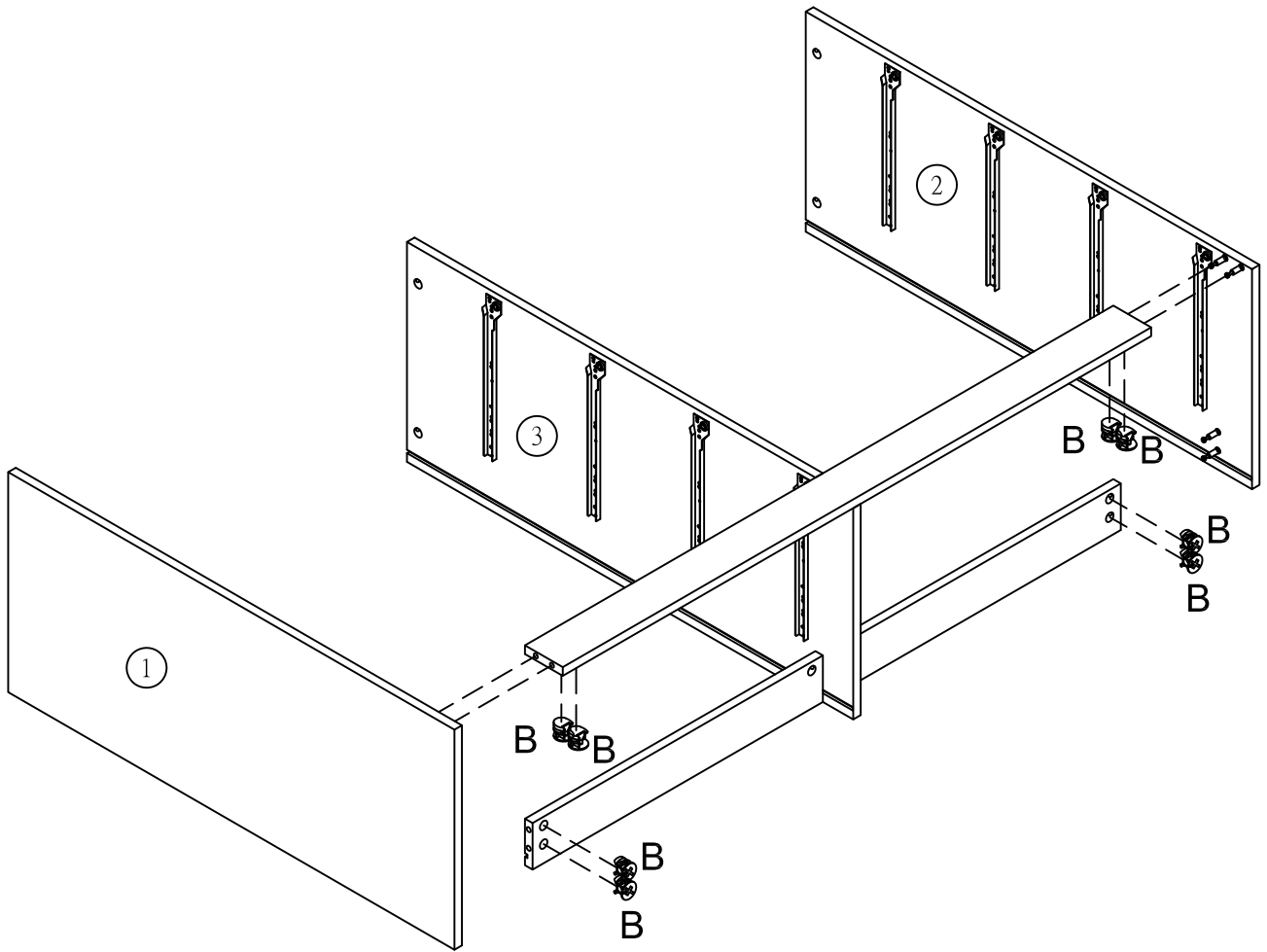
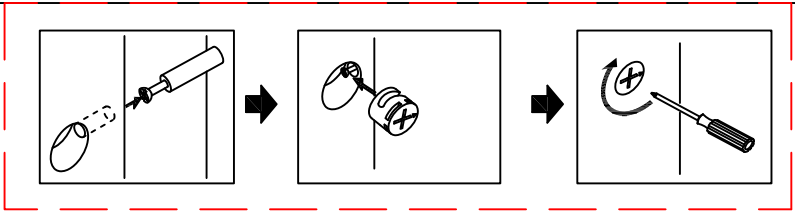
③ *1 CR*4 CL*4 A*2 C*12 D*12

STEP4



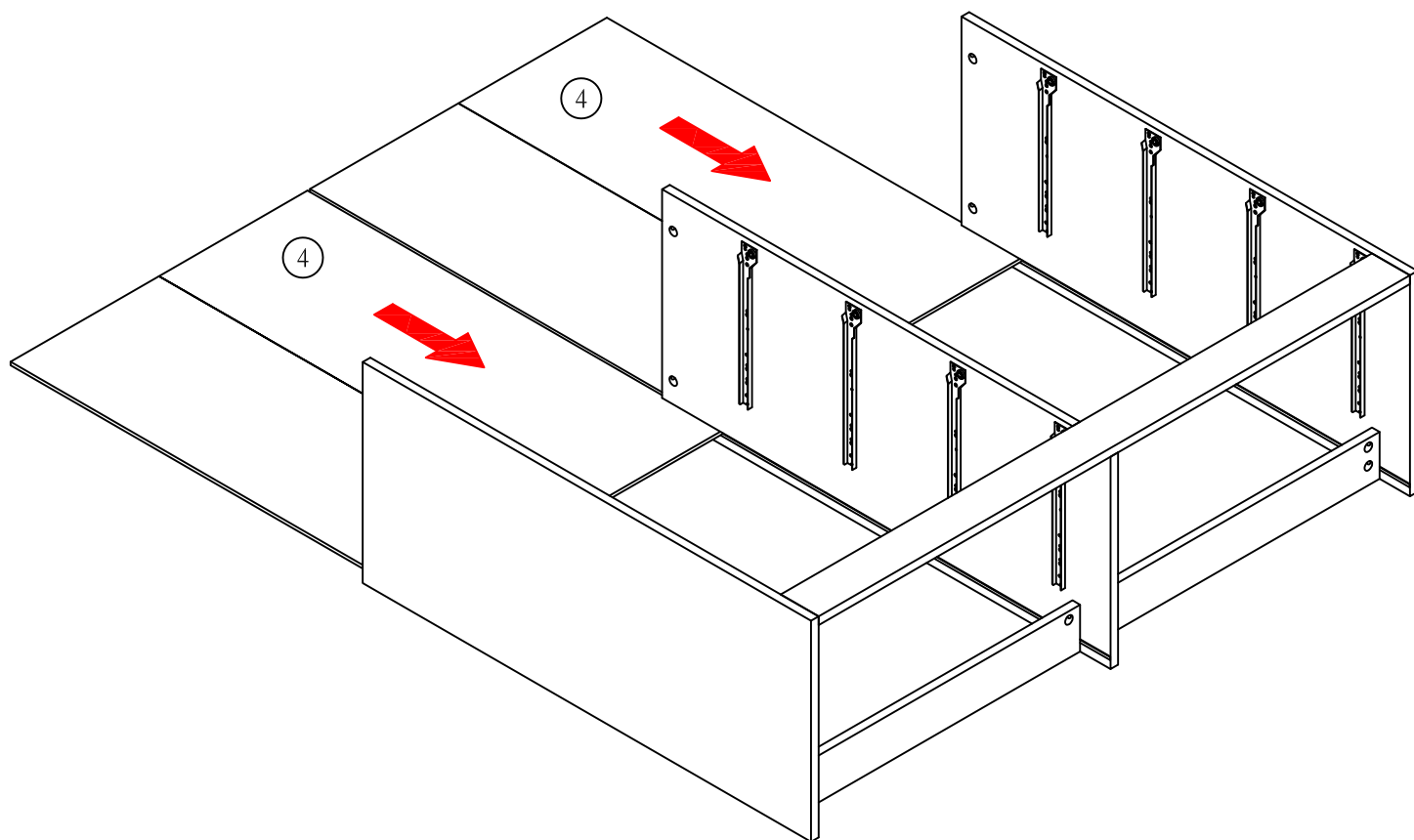
- ③ *1 ⑤ *1 ⑦ *2 ⑧ *1 A*1 B*3

STEP 5



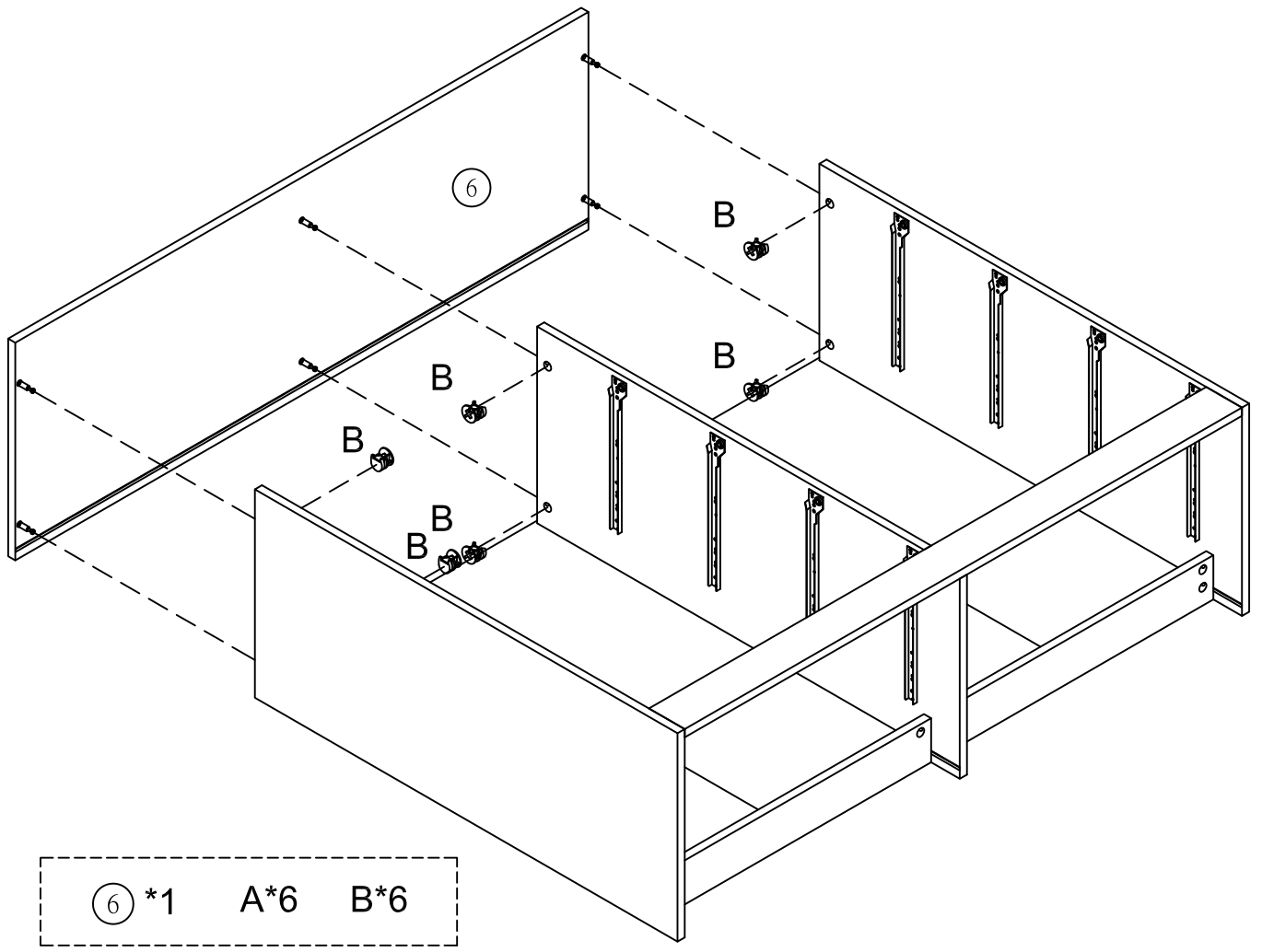
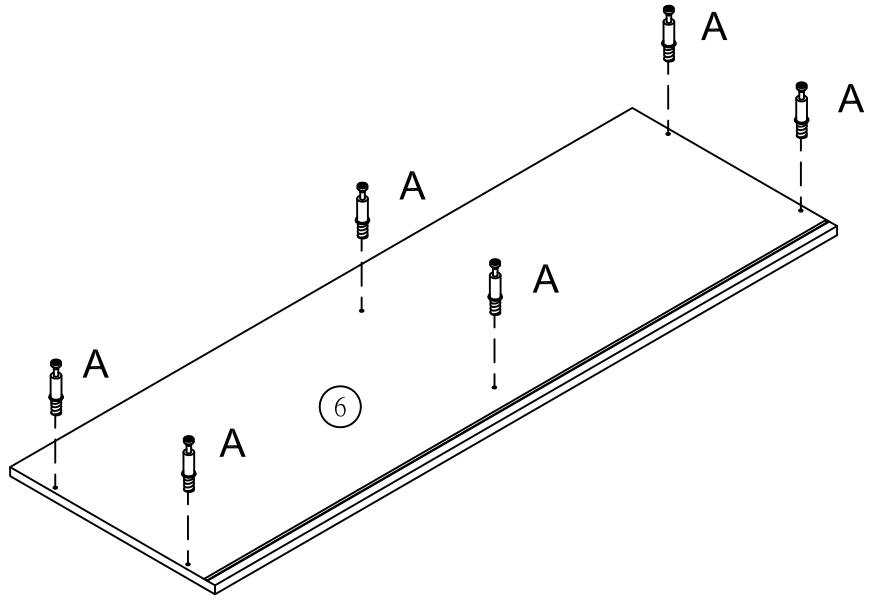
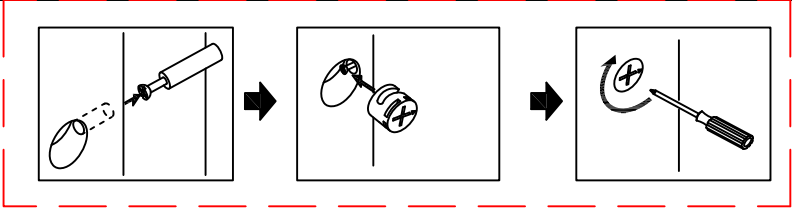
- ① *1
- ② *1
- B*8

STEP 6



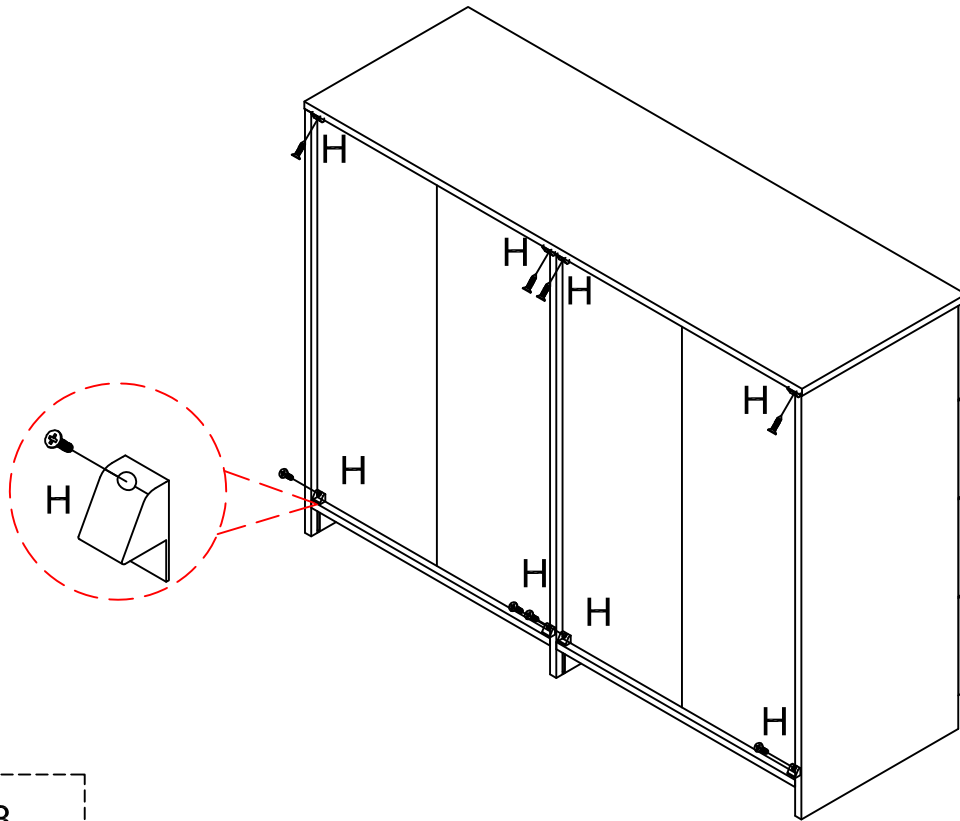
④ *2

STEP 7



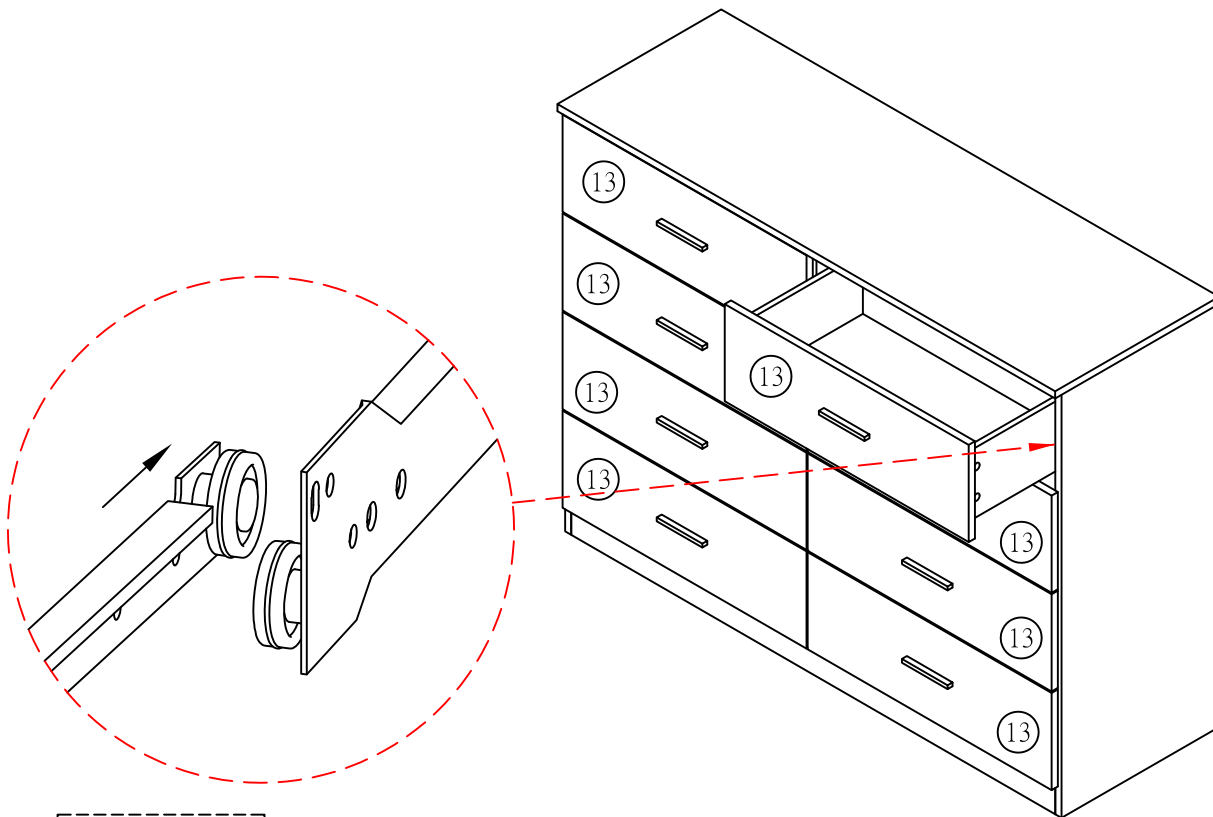
⑥ *1 A*6 B*6

STEP 8



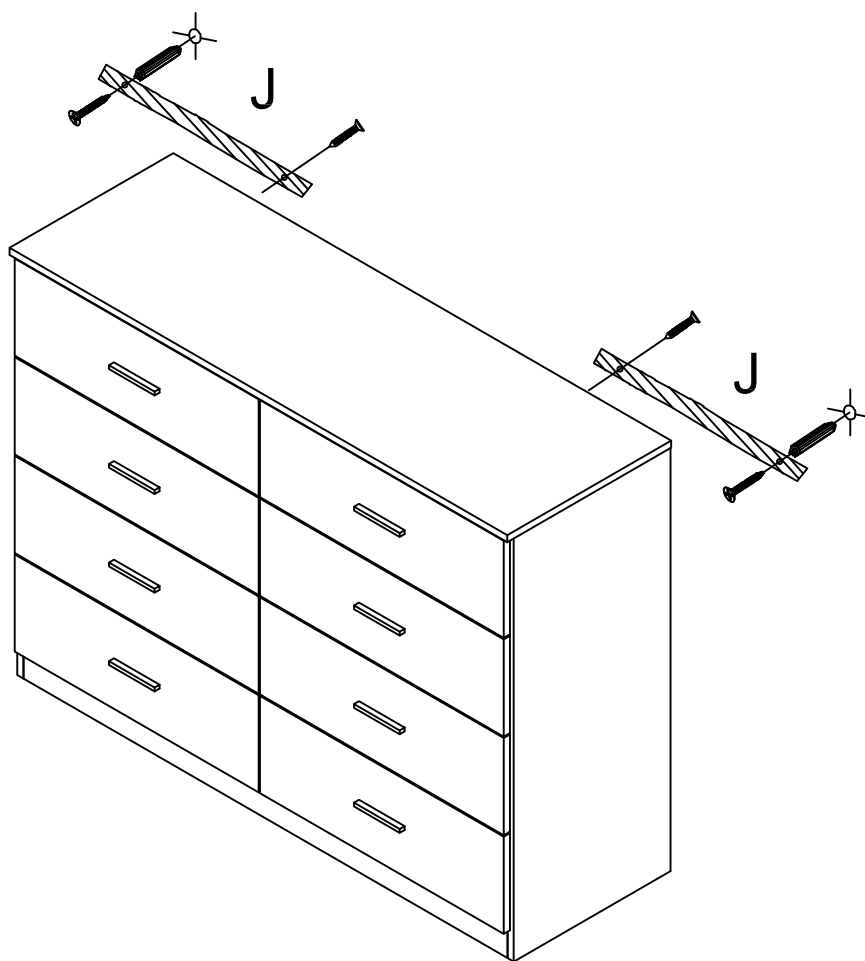
H*8

STEP 9



13 *8

STEP10



J*2

Warning:

Please **"ALWAYS install anti-tip device provided"**; it is an important stability and safety system. This unit is **Not Designed and Intended by the Manufacturer to be Used with a TV**. The label attached to the drawer is permanent label. **DO NOT REMOVE!** Please put the drawer with the label attached as **the top drawer**.

