
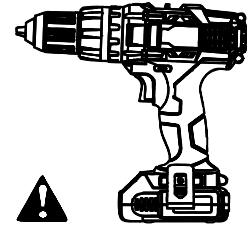
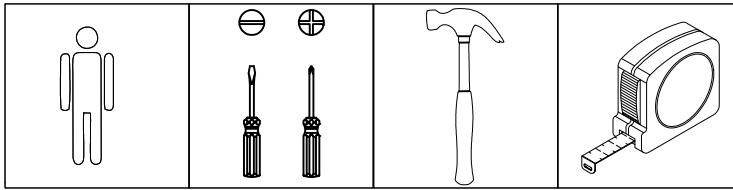


Assembly Instructions

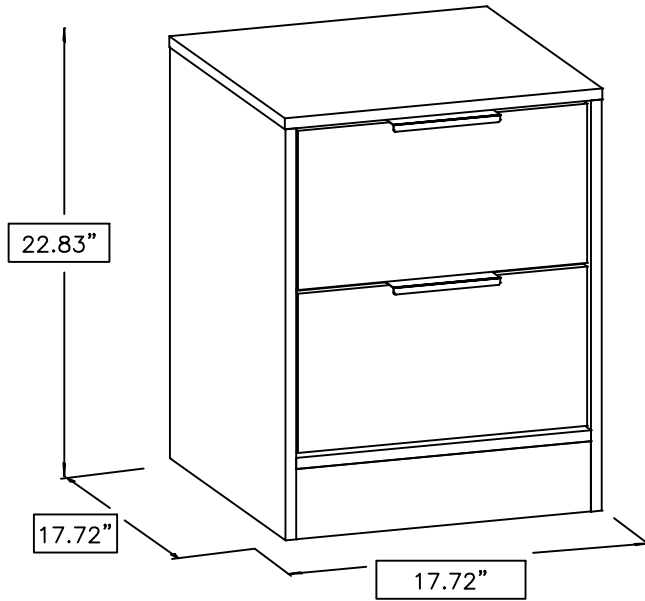
ASSEMBLY INSTRUCTIONS

01/18

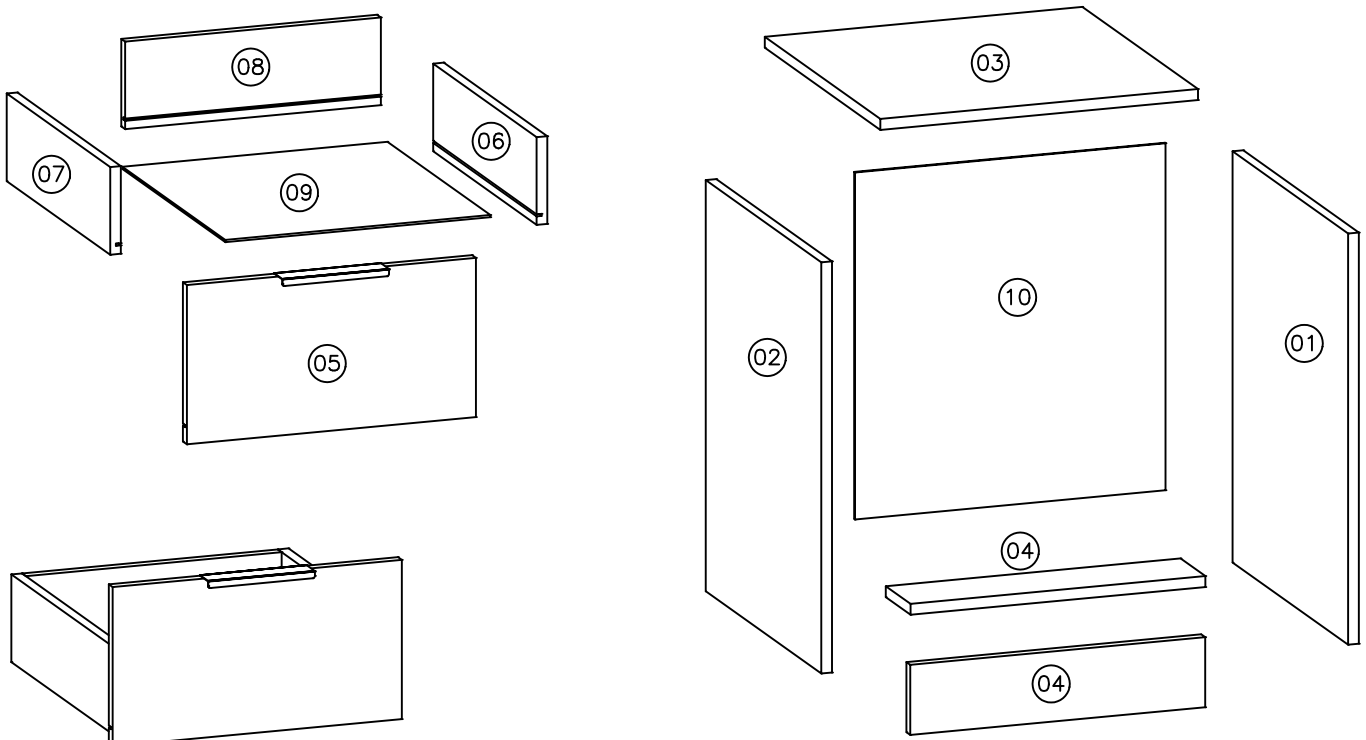
 Warning – CHOKING HAZARD – Small Parts Not for children under 3 years. Adult assembly required.



Although not required, it is recommended that a drill be used to help ease the assembly process, as some holes are not pre-drilled.

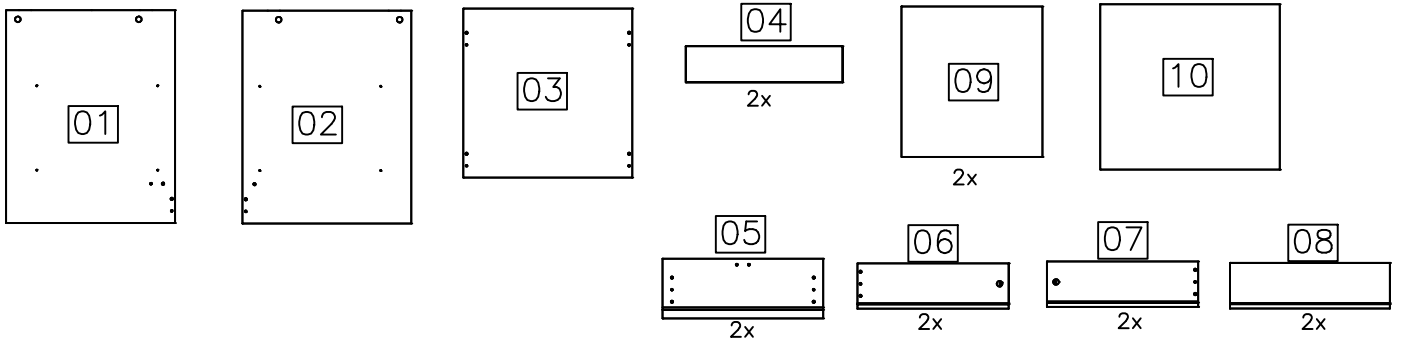


Part Identification

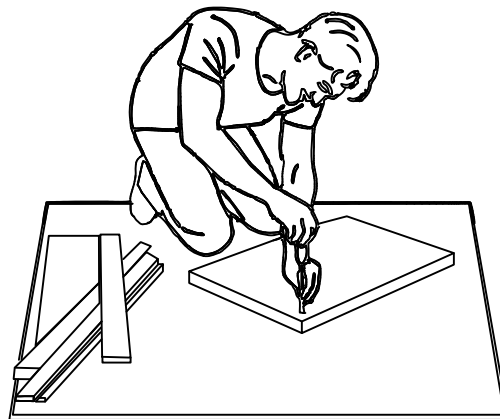


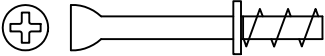
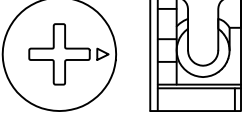

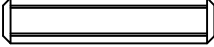


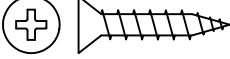
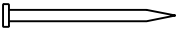
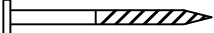


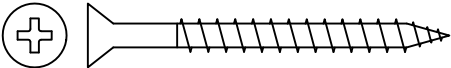
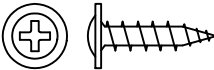
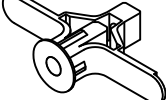
List of pieces

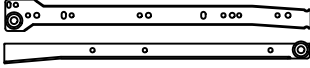
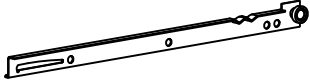
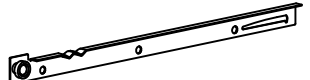
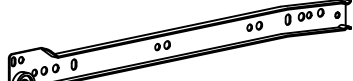

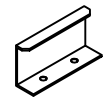
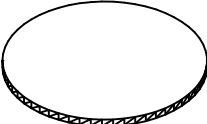
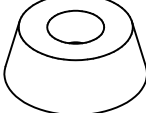

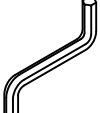
| Code | Description | Descrição (Internal production data) | Amount | Length (in.) | Width (in.) | Thickness (in.) | Box |
|------|----------------------|---|--------|-----------------|----------------|--------------------|-----|
| 01 | Right side panel | Lateral direita | 1 | 22.17" | 17.60" | .59" | A |
| 02 | Left side panel | Lateral esquerda | 1 | 22.17" | 17.60" | .59" | A |
| 03 | Top | Tampo | 1 | 17.60" | 17.60" | .59" | A |
| 04 | Footer/Interior part | Rodapé/Travessa | 2 | 16.34" | 3.78" | .59" | A |
| 05 | Front of drawer | Frente de gaveta | 2 | 16.02" | 8.58" | .59" | A |
| 06 | Right side of drawer | Lateral de gaveta direita | 2 | 15.75" | 4.72" | .59" | A |
| 07 | Left side of drawer | Lateral de gaveta esquerda | 2 | 15.75" | 4.72" | .59" | A |
| 08 | Back of drawer | Cabeceira de gaveta | 2 | 14.17" | 4.72" | .59" | A |
| 09 | Base of drawer | Fundo de gaveta | 2 | 14.69" | 15.67" | .12" | A |
| 10 | Back panel | Costa | 1 | 18.70" | 17.20" | .12" | A |



We Recommend you use the Box that your furniture came in as the base for your work space. This can help prevent and unnecessary damages from occurring.



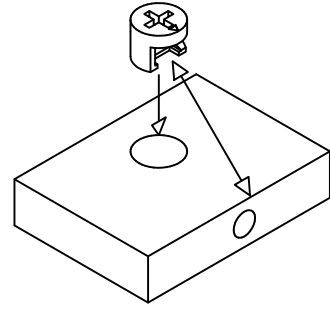
| Hardware | | | |
|--|-------|--|-------|
| | Code | Description | Amou. |
| PM | 30945 |  Cam Screws | 12 |
| TM | 30950 |  Cam Locks | 12 |
| PE18 | 75515 |  Screw 5x40 | 4 |
| C1 | 1802 |  Dowel 6x30mm | 24 |
| PC3 | 4214 |  Screw 3,5x14 | 16 |
| PF2 | 25827 |  Screw 3,5x14 | 4 |
| PC5 | 5256 |  Screw 4x20 | 4 |
| PR1 | 107 |  Nail 10x10 | 14 |
| PR2 | 108 |  Nail 12x12 | 4 |
| Anti-tipping installation | | | |
| <p>Warning: For Measures of Safety, it is recommended that this item be fixed to the wall, to avoid overturning, if this happens it can cause serious or fatal injuries.</p> <p>ATENCION: Por medidas de seguridad se recomienda fijar el mueble a la pared para evitar Volcamiento del mismo, si esto llegase a ocurrir puede causar lesiones graves o fatales.</p> | | | |
| SF | 55606 |  Mounting bracket | 2 |
| ANY | 55607 |  Clamp | 1 |
| PC10 | 51880 |  Screw 4,5x50 | 2 |
| PF4 | 1178 |  Screw 3,5x16 BC | 2 |
| BG | 32069 |  Adapter sleeve | 2 |

| | | | | |
|------|---|---|--------------------------------------|---|
| CM4 | |  | 400mm metal slide set | 2 |
| CM4A | |  | Right Drawer slide | |
| CM4B | 5288 |  | Left drawer slide | |
| CM4C | |  | Metallic slide for left sided panel | |
| CM4D | |  | Metallic slide for right sided panel | |
| PX | <u>BR=59291</u> <u>AZP=59292</u> <u>CZS=59292</u> <u>AZP=59292</u> |  | Handle | 2 |
| TP1 | <u>BR=45292</u> <u>AZP=81298</u> <u>CZS=81300</u> <u>AZP=43221</u> |  | Screw cap cover 18mm | 4 |
| SD | 1801 |  | Shoe black | 4 |
| S5 | 18458 |  | Black triangular support | 4 |
| CZ3 | 58788 |  | Allen key | 1 |

Helpful Tips

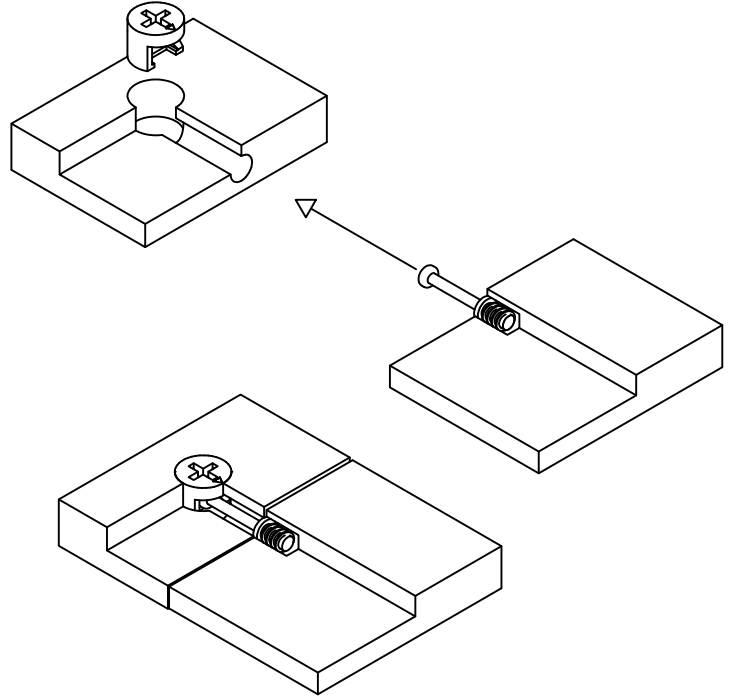
INSTALLING CAM

Identify arrow on head of cam. Arrow **MUST** point toward hole in edge of panel. Push cam all the way down into hole.



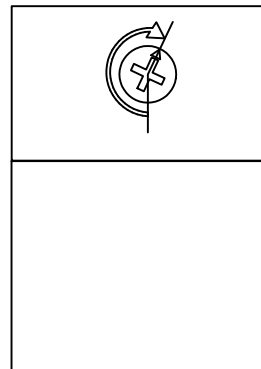
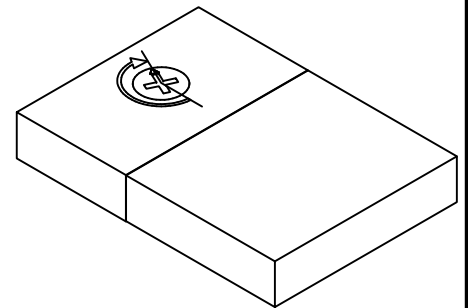
CAM AND DOWEL ALIGNMENT

Ensure the arrow on the cam points toward hole and insert cam dowel into hole. Make sure pieces join together.



TIGHTENING CAM

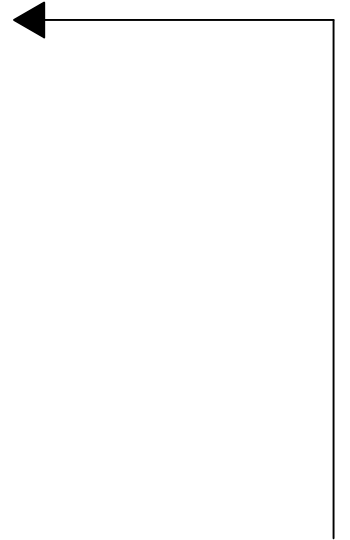
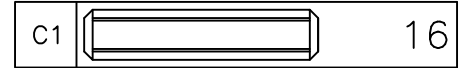
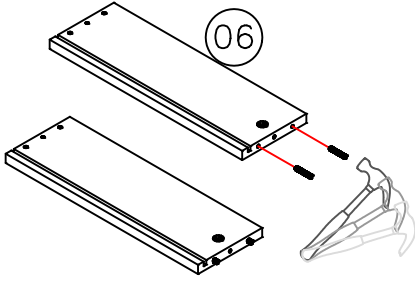
Use screwdriver to turn cam. Turn cam (clockwise) until fully tightened. Slightly more than half a turn.



1A

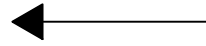
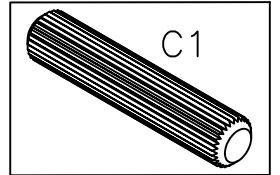
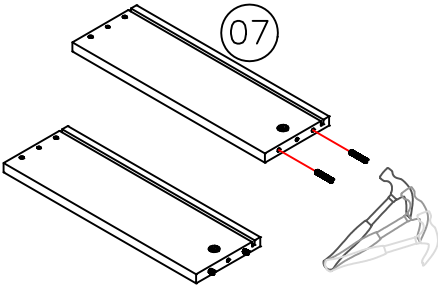
Drawer Preassembly

This process is repeated twice (x2)



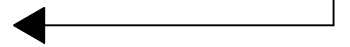
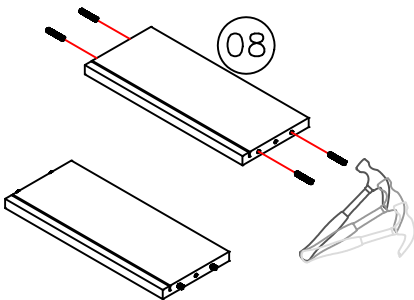
1B

This process is repeated twice (x2)



1C

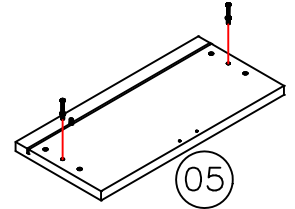
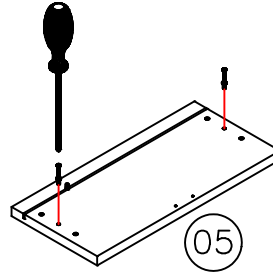
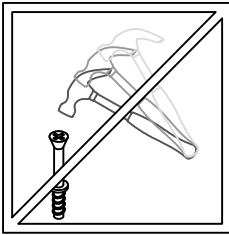
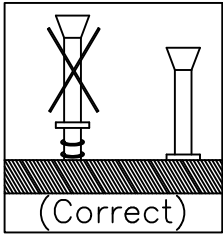
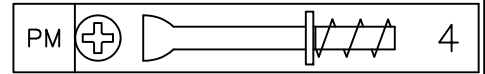
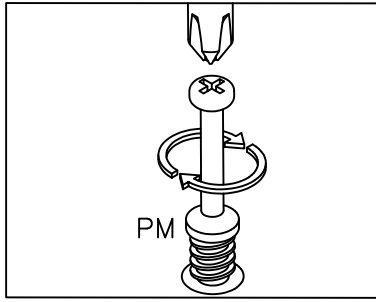
This process is repeated twice (x2)



1D

Drawer Preassembly

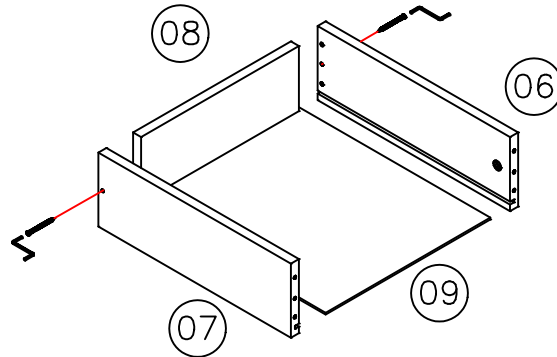
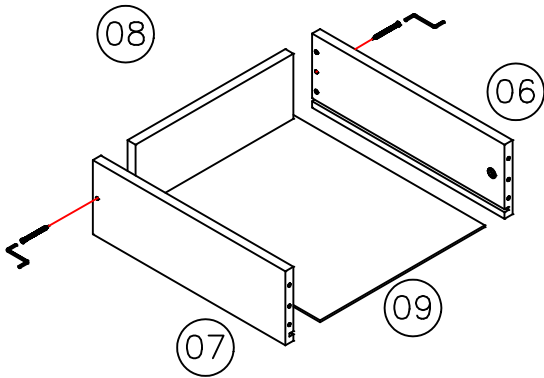
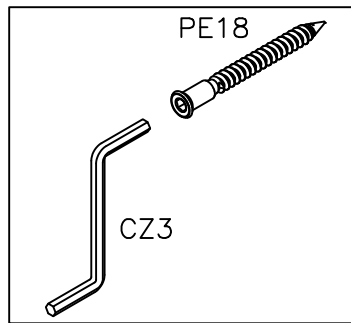
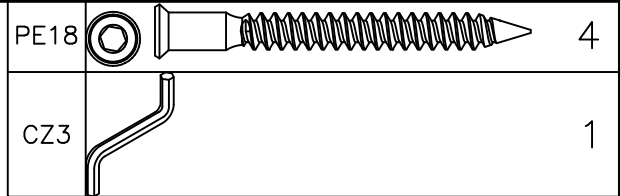
This process is repeated twice (x2)



2

Drawers Mounting

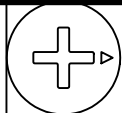
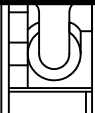
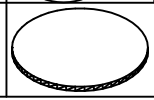
This process is repeated twice (x2)

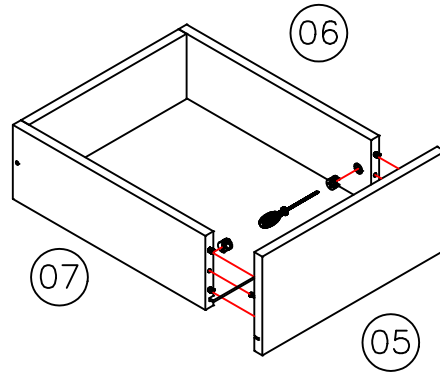
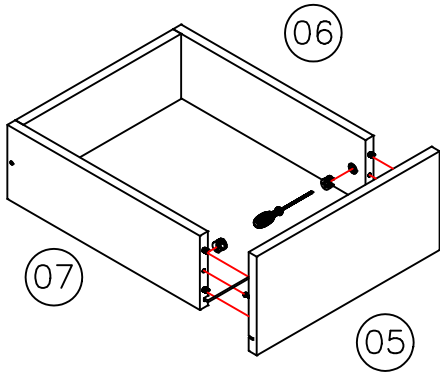
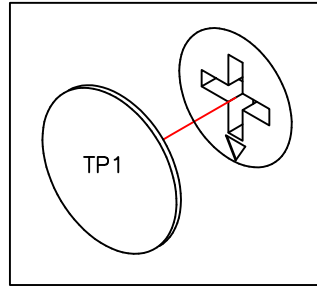
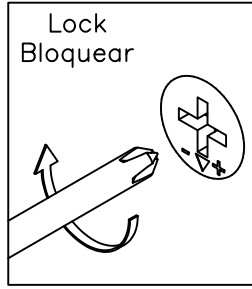
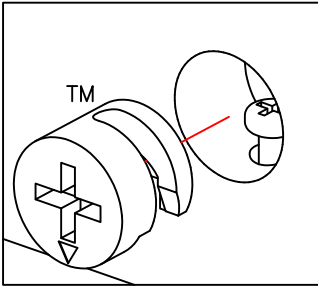


3

Drawers Mounting

This process is repeated twice (x2)


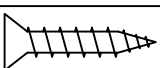
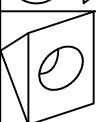
| | | | |
|-----|---|---|---|
| TM |  |  | 4 |
| TP1 |  | | 4 |

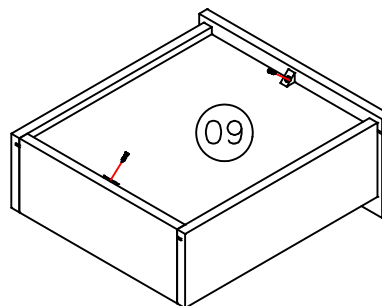
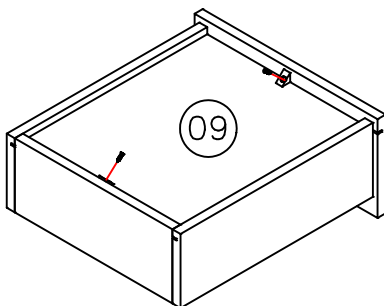
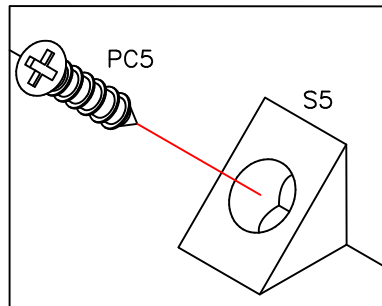


4

Drawers Mounting

This process is repeated twice (x2)



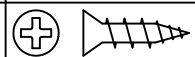
| | | | |
|-----|---|---|---|
| PC5 |  |  | 4 |
| S5 |  | | 4 |



5

Drawers Mounting

This process is repeated twice (x2)

| | | |
|------|---|---|
| CM4A |  | 2 |
| CM4B |  | 2 |
| PC3 |  | 8 |

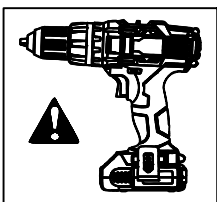
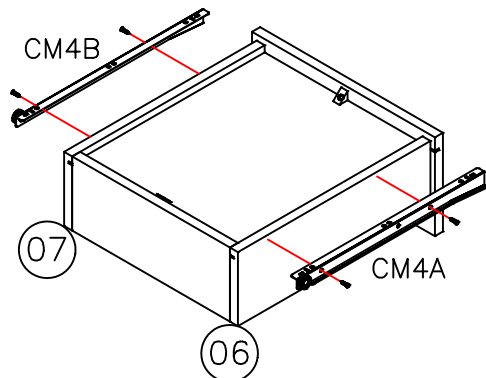
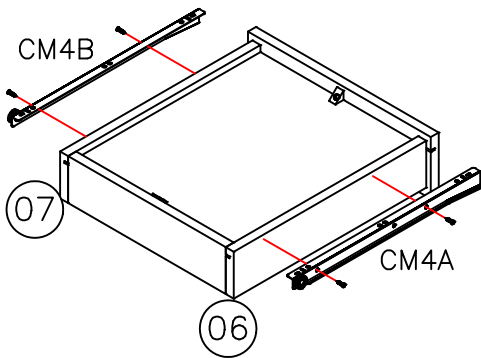
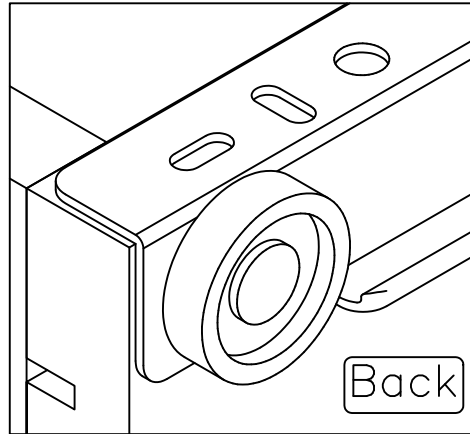
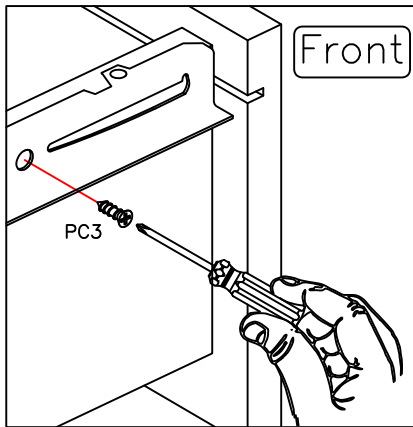
This QR code will take you to a YouTube video that will demonstrate how to properly install the Glide rail. You can also search YouTube for "K1 GLIDE RAIL".



Please ensure that these screws are complete screwed in. As failure to do so could cause issues when installing the drawer.



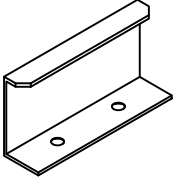
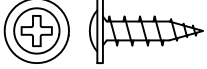
Wheels should Always be towards the back of the Drawers

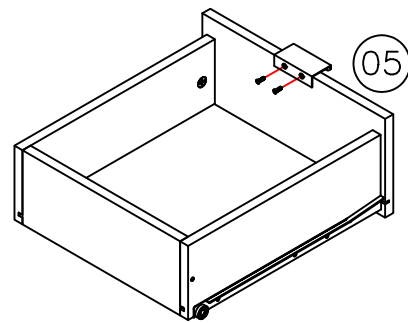
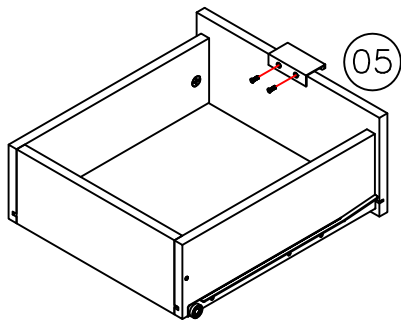
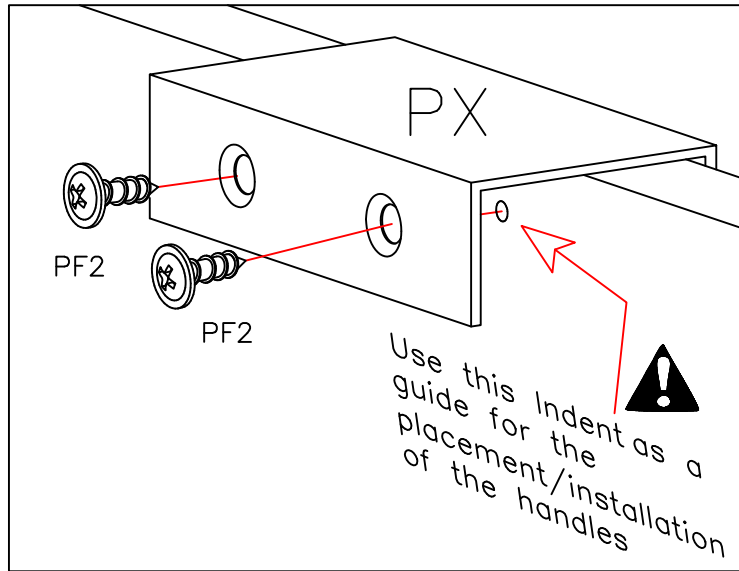


6

Drawer final assembly

This process is repeated twice (x2)

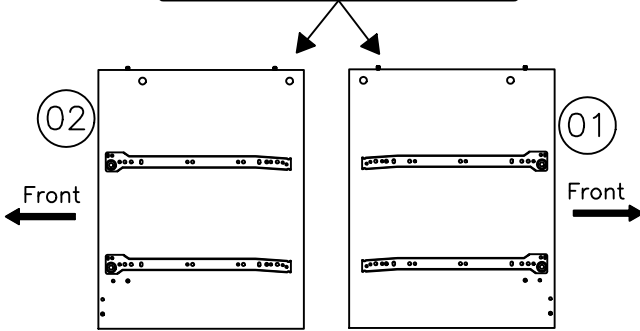
| | | |
|-----|---|---|
| PX |  | 2 |
| PF2 |  | 4 |



7

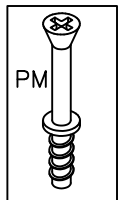
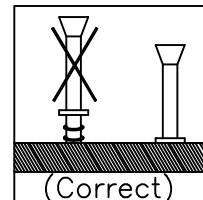
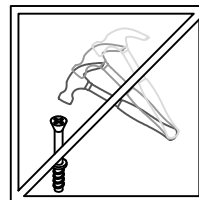
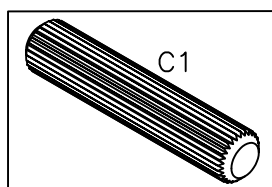
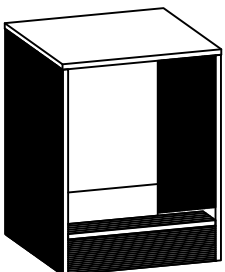
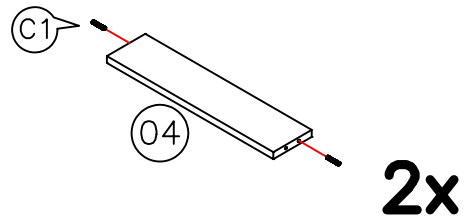
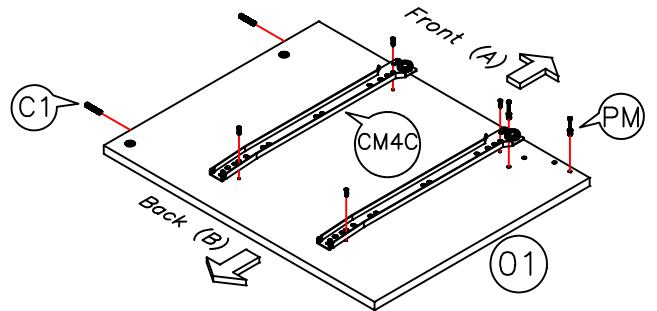
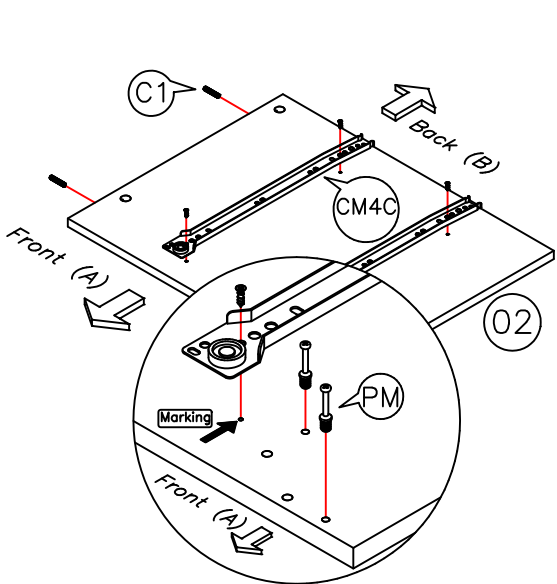
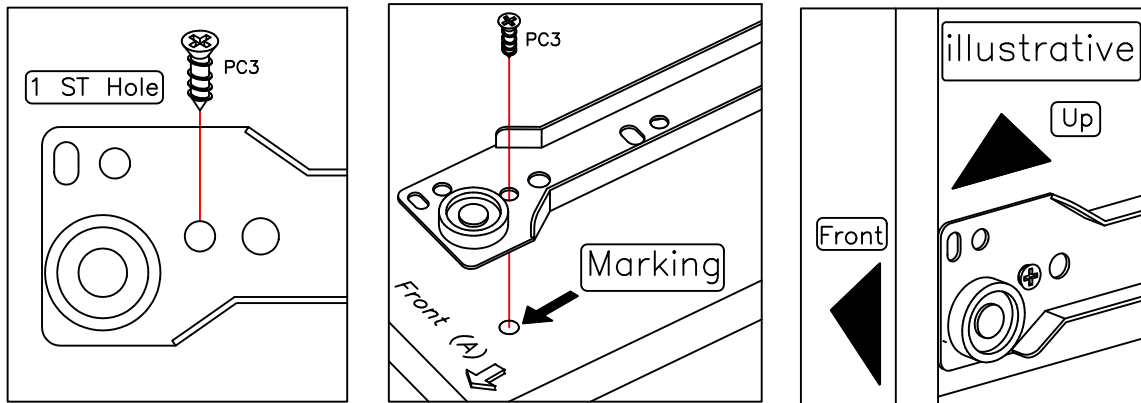
Preassembly of parts

Top view of the finished part



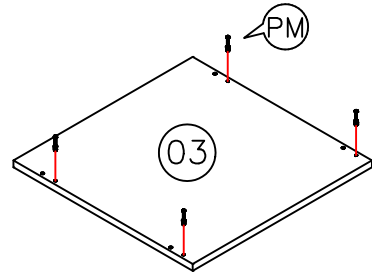
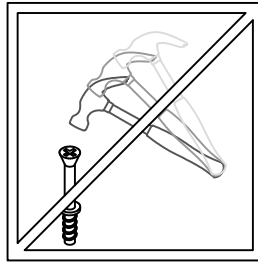
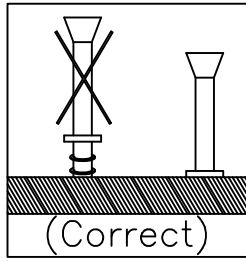
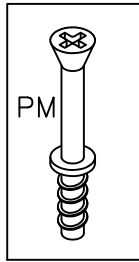
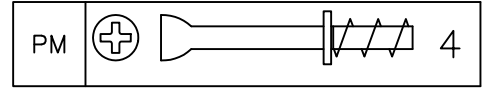
| | | |
|------|--|---|
| C1 | | 8 |
| PM | | 4 |
| PC3 | | 8 |
| CM4C | | 2 |
| CM4D | | 2 |

Detailed view of CORRECT hole location in the rail for the "PC3" Screw



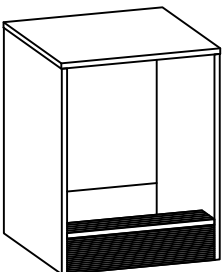
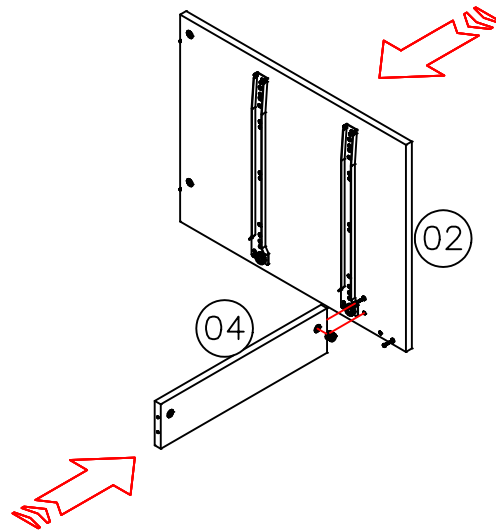
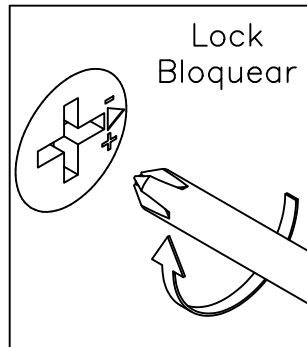
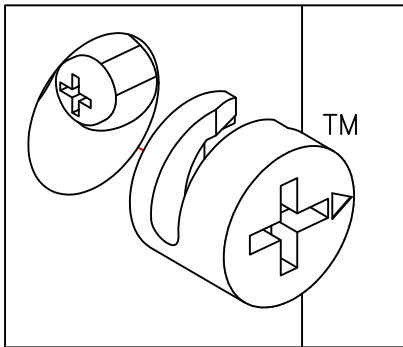
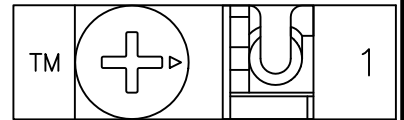
8

Preassembly of parts



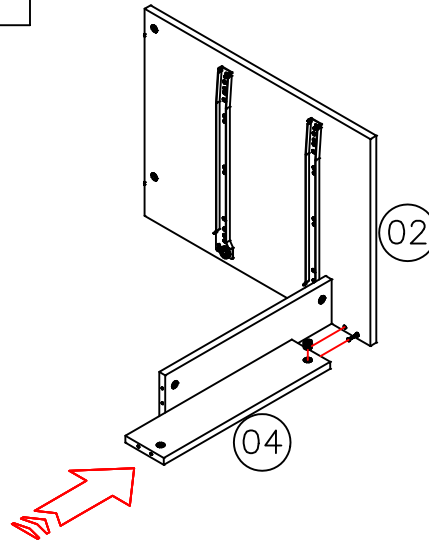
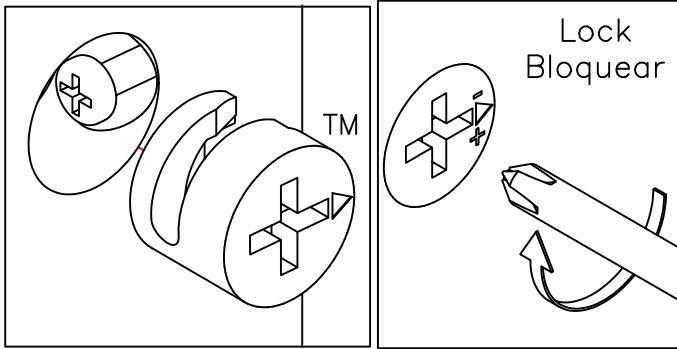
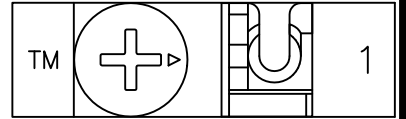
11

Product Assembly

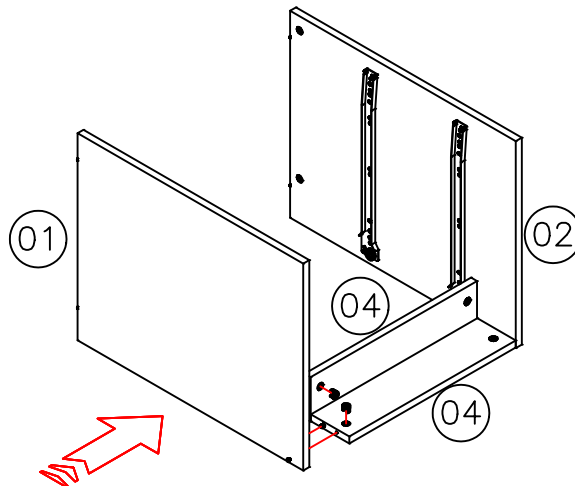
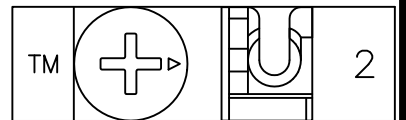
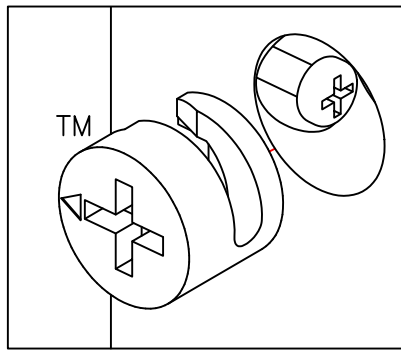
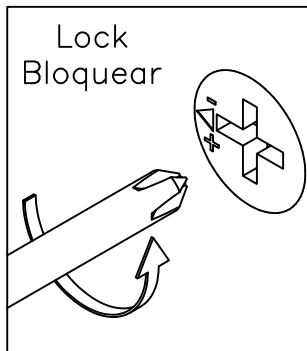


9

Product Assembly

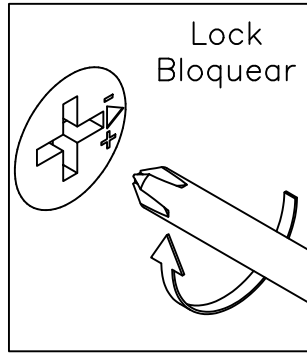
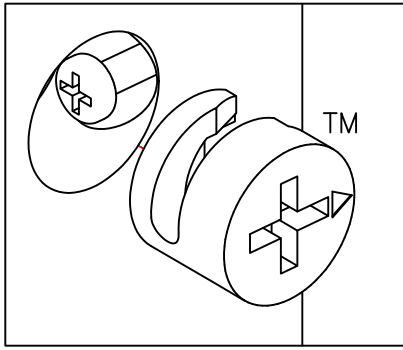


13

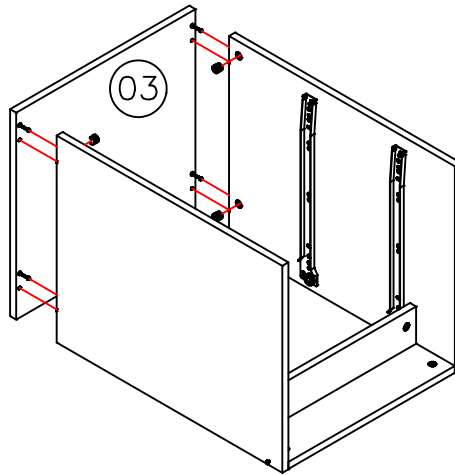


10

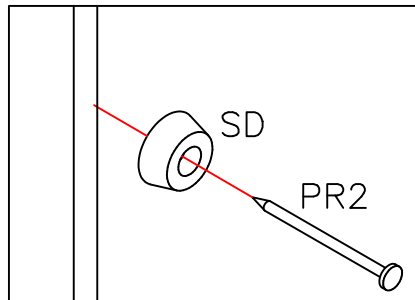
Product Assembly



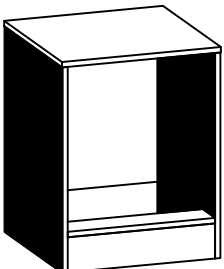
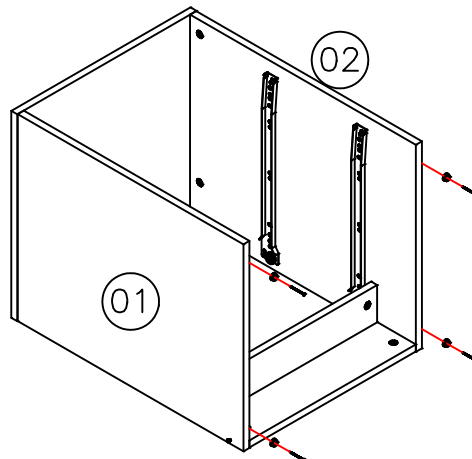
| | | | |
|----|--|--|---|
| TM | | | 4 |
|----|--|--|---|



15

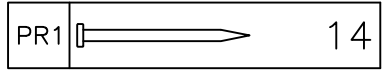



| | | |
|-----|--|---|
| PR2 | | 4 |
| SD | | 4 |



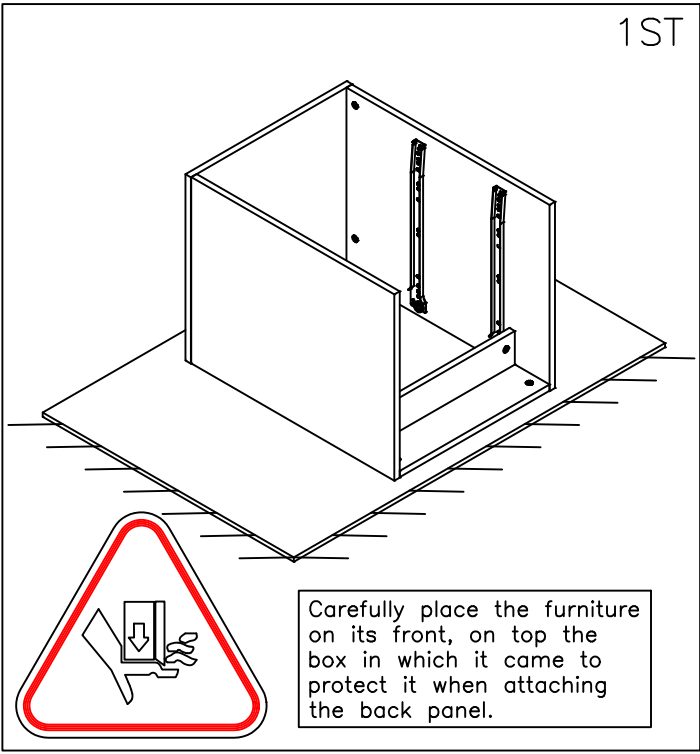
11

Product Assembly

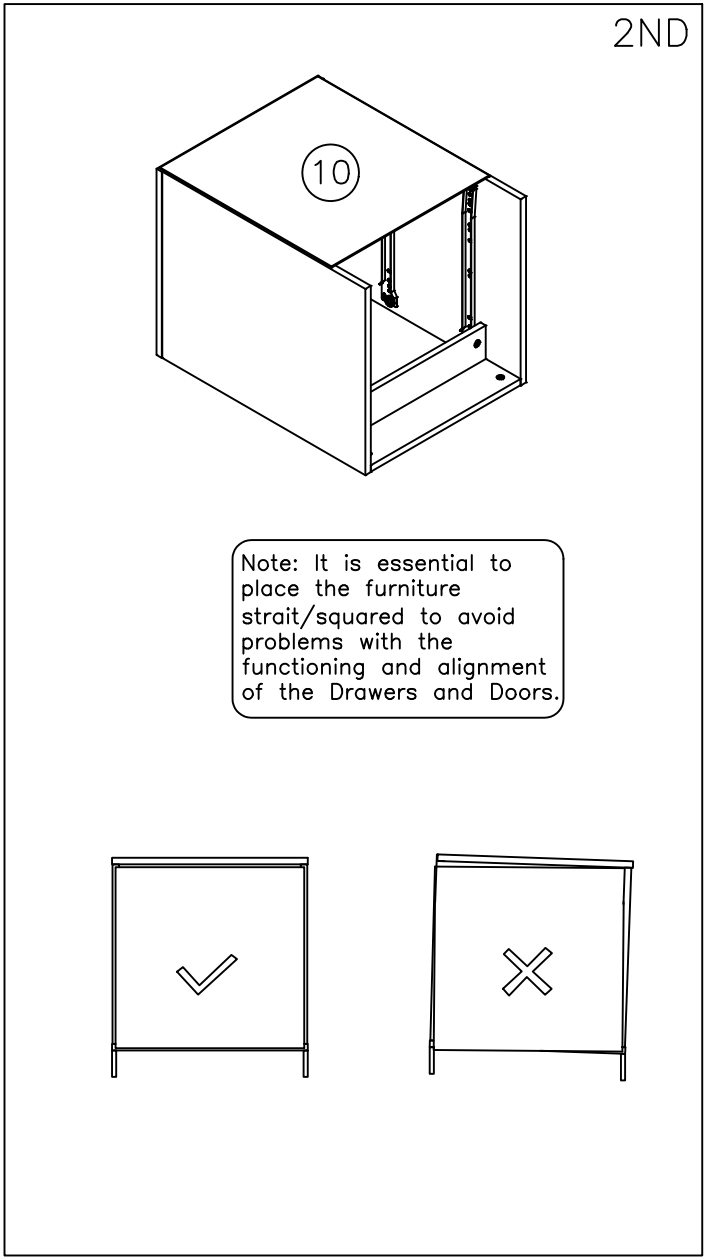


 **Attention:** Ensure that when nailing the back parts in place, that it is being nailed as straight as possible to the top and sides.
Failure to do so can make the drawers appear crooked.

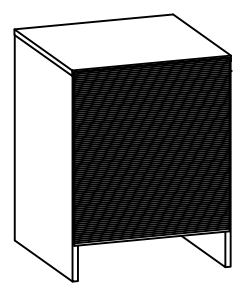
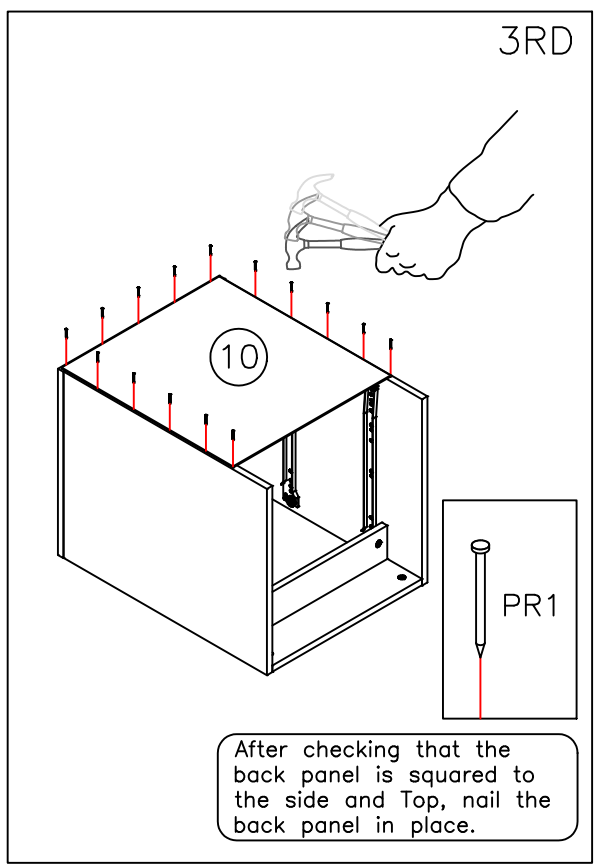
1ST




2ND

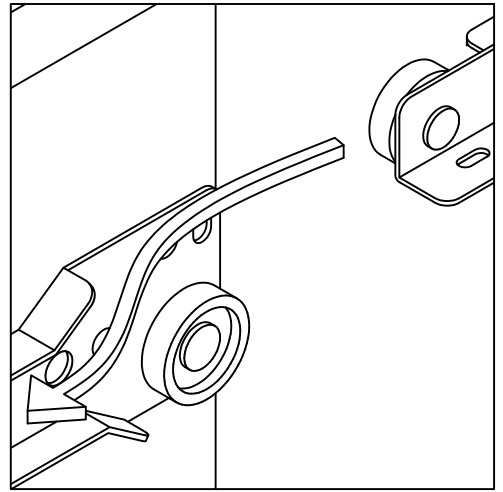
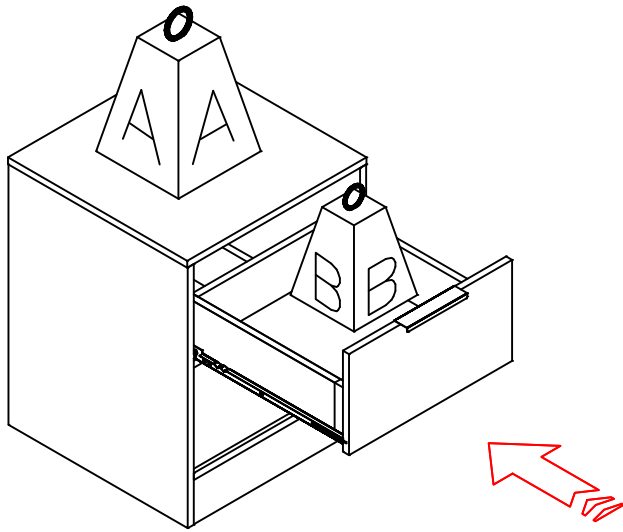


3RD

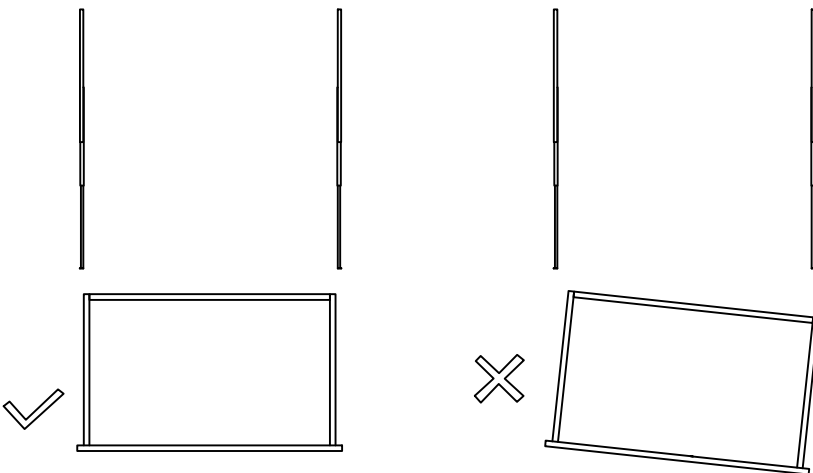


12

 **Drawer installation**
Insert the slide into the profile and close the drawer to finish locking the clip.

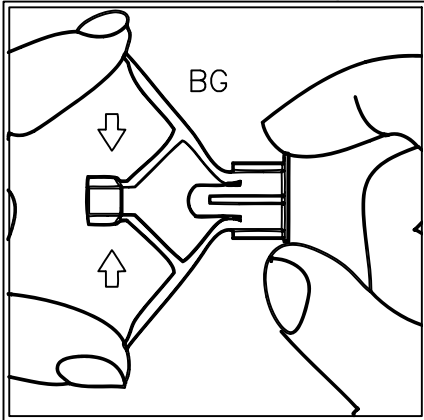


| | Kg | lb |
|---|----|---------|
| A | 35 | 77.16lb |
| B | 6 | 13.23lb |

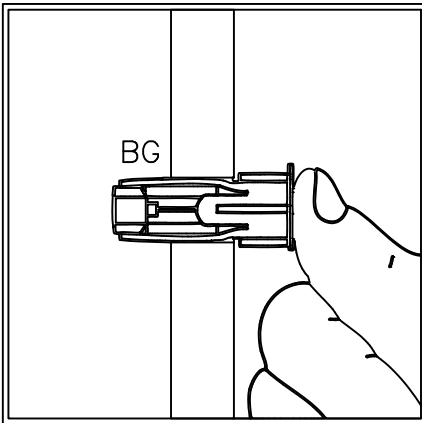


13 NOTE: Do not turn the DRYWALL ANCHOR into a wall stud. If you prefer to fasten the SAFETY ANTI-TIPPING to a wall stud, go to your local hardware store for proper hardware.

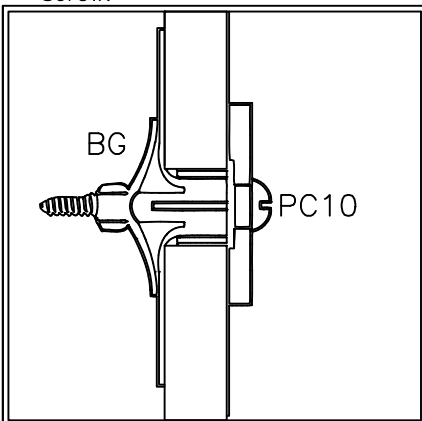
Compress the wings of anchor before inserting.



Insert the chuck into the hole of the base material.



Position the object over the bushing and secure it with a screw.



▲ WARNING – Anti-Tip Advisory

Potential of serious fatal crushing injuries may occur from furniture tip-over. To help prevent tip-over:

ALWAYS INSTALL the tip-over restrain that came with your furniture. This tip-over restrains only reduces but does NOT completely eliminate the risk of tip-over

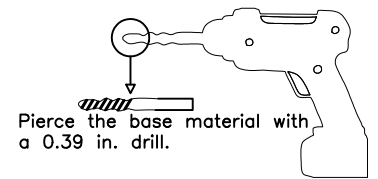
- ALWAYS Place the heaviest items in the lowest/bottom drawer.
- NEVER place heavy objects on top of this product.
- NEVER allow children to scale/climb/hang on the drawers, doors, or shelves.
- NEVER open more than one drawer at a time.

B ADVERTENCIA – Aviso antivuelco

Pueden producirse lesiones graves por aplastamiento mortales debido al vuelco de los muebles. Para ayudar a prevenir vuelcos:

- o SIEMPRE INSTALE el sistema de retención que viene con sus muebles. Este sistema antivuelco solo reduce pero NO elimina por completo el riesgo de vuelco.
- o SIEMPRE coloque los artículos más pesados en el cajón más bajo /inferior.
- o NUNCA coloque objetos pesados encima de este producto.
- o NUNCA permita que los niños escalen, trepen o se cuelguen de los cajones, puertas o estantes.
- o NUNCA abra más de un cajón a la vez

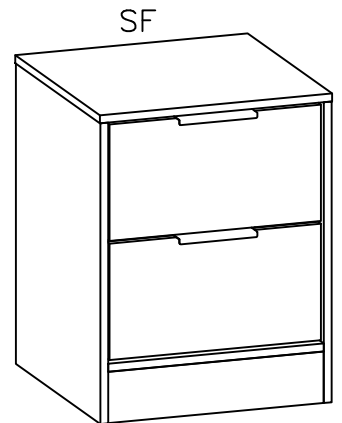
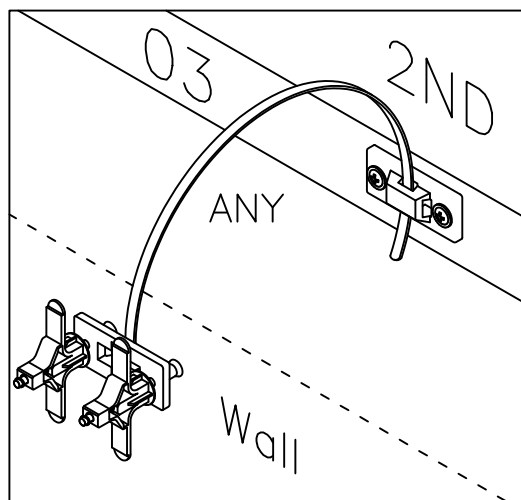
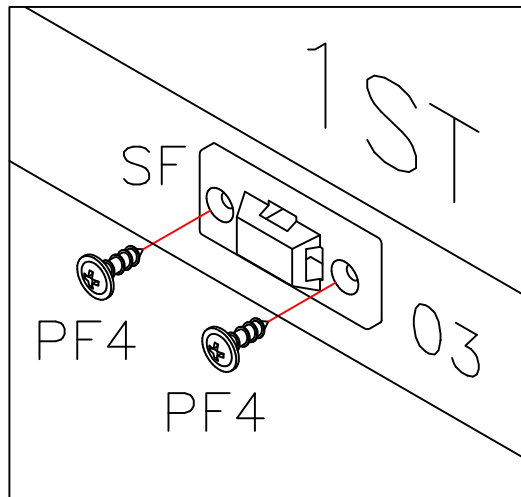
| Anti-tipping installation | | | |
|---------------------------|--|------------------|---|
| SF | | Mounting bracket | 2 |
| ANY | | Clamp | 1 |
| PC10 | | Screw 4,5x50 | 2 |
| PF4 | | Screw 3,5x16 BC | 2 |
| BG | | Anchor | 2 |



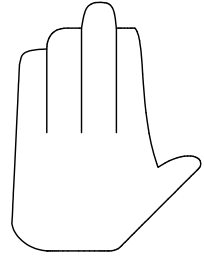
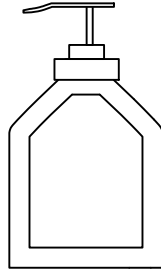
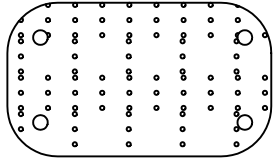
Pierce the base material with a 0.39 in. drill.

Important

- The minimum length of the screw must be the bushing length + object thickness that will be fixed.
- To guarantee the wing expansion function of the bushing, after the screw head is at the object to be fixed, one must continue to rotate the screw until maximum torque is reached.



14



To Remove the printed number, apply a small amount of Glass Cleaner or Hand sanitizer and wipe with a paper towel.

