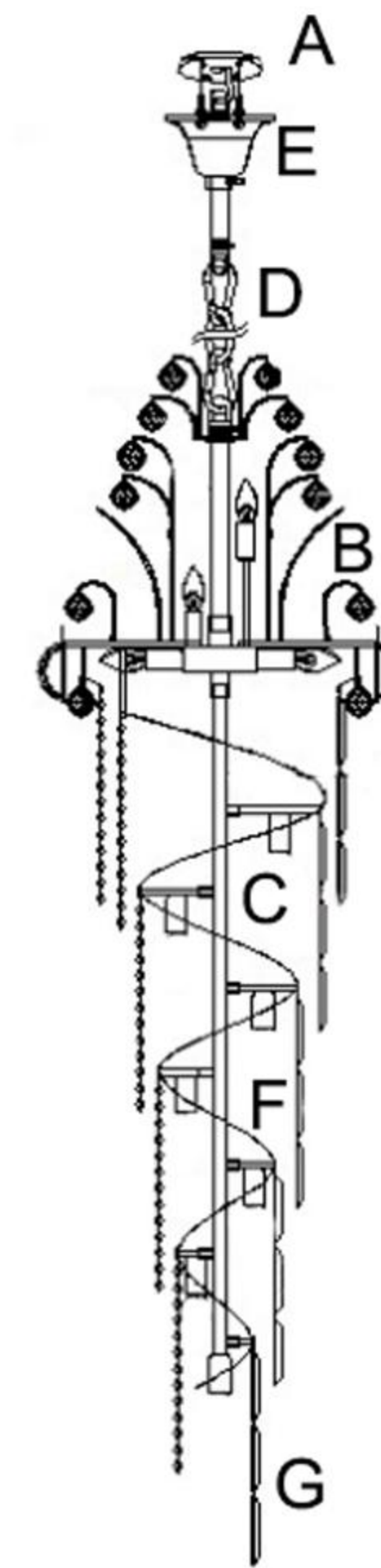


Assembly Instruction Sheet for Model HL577998

Package Contents

Part	Description	Quantity
A	Mounting Bracket	1 pc.
B	Fixture Body	1 pc.
C	Fixture Rod	1 pc.
D	Chain	1 pc.
E	Canopy	1 pc.
F	Sheet Metal Strip	1 pc.
G	Crystal Decoration	multi pcs.



STEP 1

Mark the drilling position on ceiling with the help of the Mounting Bracket(A).
Drill holes on the marks and stick the expansion anchors into the holes.
Fix the Mounting Bracket(A) to the expansion anchors with self-tapping screws.

STEP 2

Remove the bottom of Fixture Body(B).
Thread the wire of Fixture Rod(C) to the Fixture Body(B), and fix the Fixture Rod(C) to the Fixture Body(B).

STEP 3

Connect wire color Black/Red from the Fixture Body(B) as one strand of wire.
Connect wire color Blue of Fixture Body(B) as the other strand.
Restore the bottom of Fixture Body(B).

STEP 4

Thread the wire of Fixture Body(B) to the Chain(D), and fix the Fixture Body(B) to the Chain(D).
Thread the wire of Chain(D) to the Canopy(E), and fix the Chain(D) to the Canopy(E).

STEP 5

Hold the fixture close to ceiling.
Connect live line to wire color Blue/Red from the Canopy(E).
Connect neutral line to wire color White/Black from the Canopy(E).

STEP 6

Attach the Canopy(E) to the Mounting Bracket(A).

STEP 7

Insert your bulb to the bulb base.
Fix the Sheet Metal Strip(F) to the end socket of Fixture Rod(C).

STEP 8

Hook the round Crystal Decorations(G) hook to the light stand.
Hang two strip-shaped Crystal Decorations(G) on the Sheet Metal Strip(F), hang them at intervals.
Hang a long strip of crystal strips, and hang a long strip of crystal beads, and repeat the above steps.

Your fixture is now assembled and ready to use.