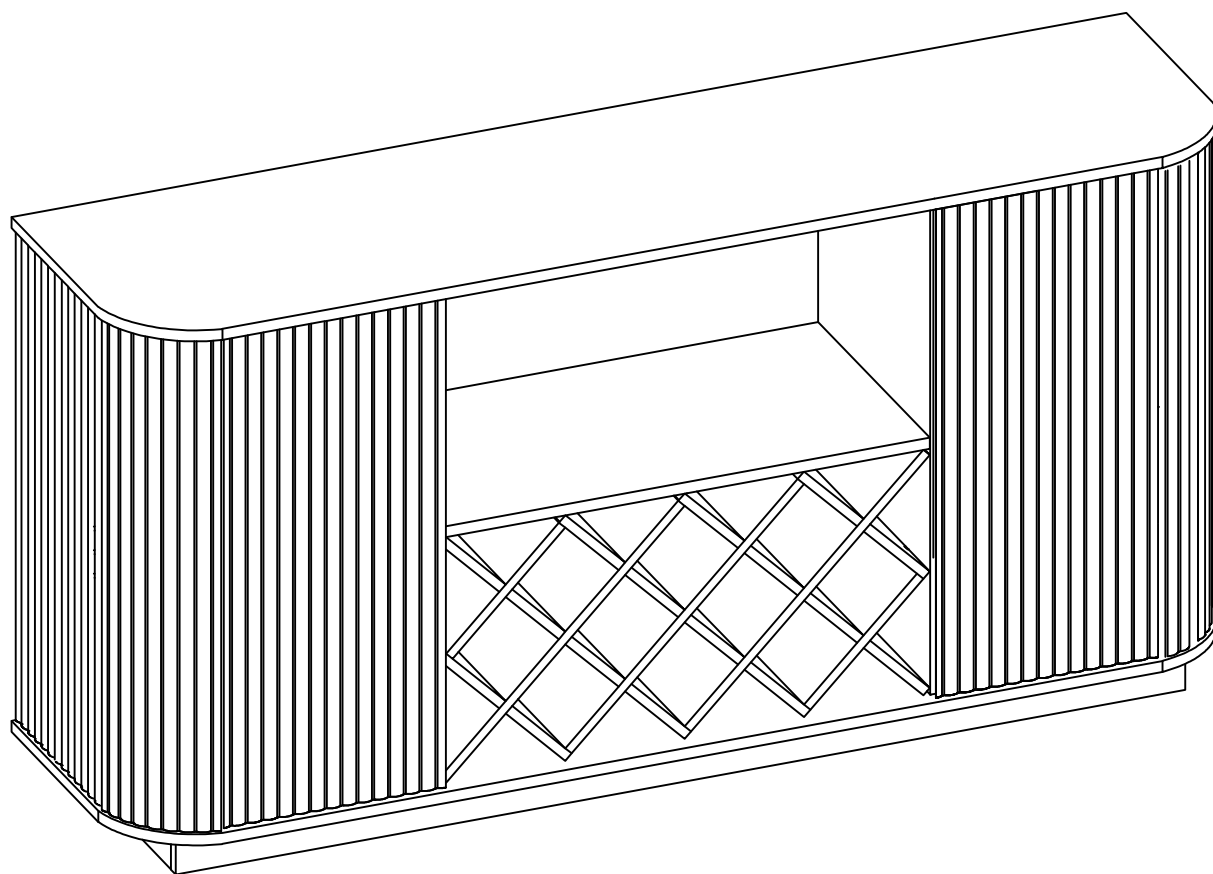


Assembly Instruction

———— CBN143A ————



General Guidelines

- Please read the following instruction carefully and use the product accordingly.
- Please keep this manual and hand it over when you transfer the product.
- This summary may not include every detail of all variations and considered steps. Please contact us when further information and help are needed.

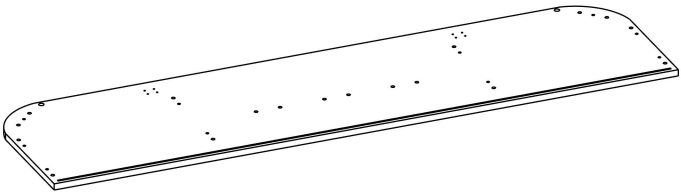
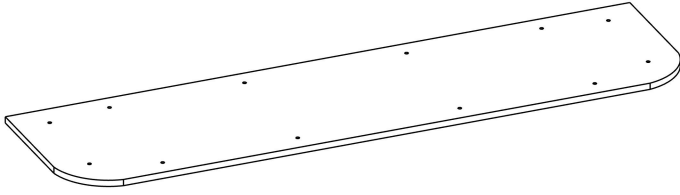
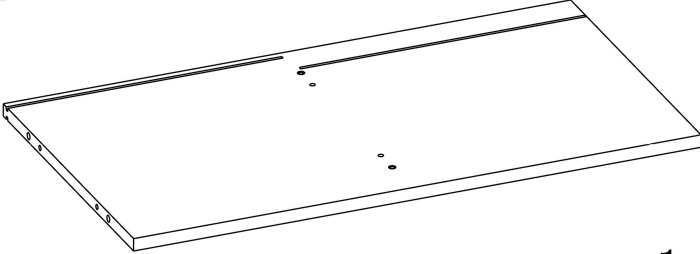
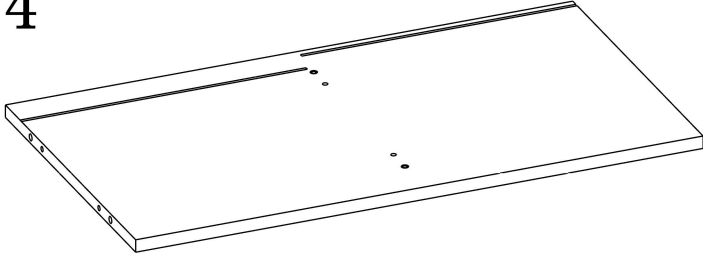
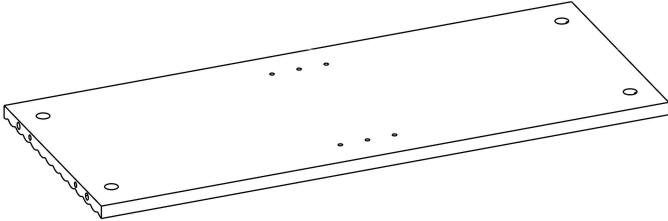
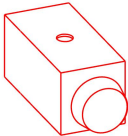
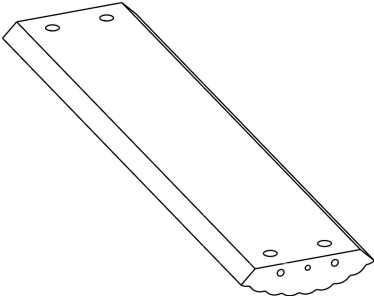
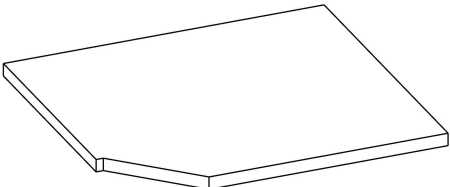
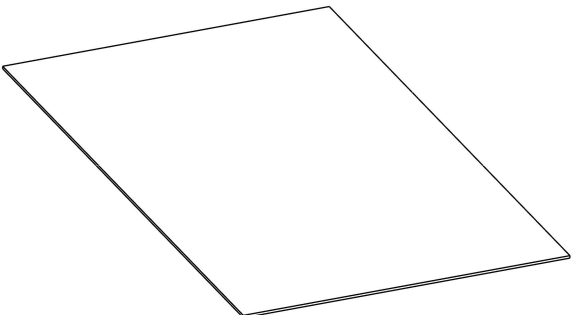
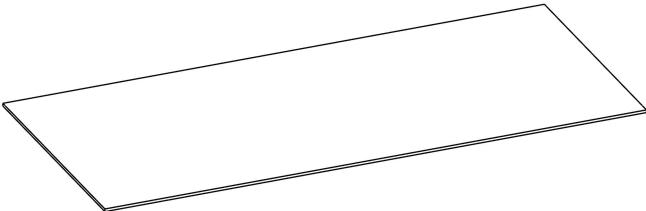
Notes

- The product is intended for indoor use only. The product must be assembled and used in accordance with the provisions of the manual. Personal injury and/or damage to product may occur if products are used outside of their intended purposes and/or if products have been changed/modified from their original design. The seller does not assume any responsibility or liability with respect to any injury/damage caused by incorrect assembly or improper use.
- Avoid long-term exposure to humid environments to prevent mildew.
- Keep the product away from fire sources and high temperatures. Do not expose the product to direct sunlight.
- Do not place any hot objects on the surface of the product.
- If there are any defective or missing parts after unpacking, please cease assembly immediately and contact us.
- Please assemble the item on a spacious surface and do not place the unwrapped product directly on the ground to avoid product damage.
- Please do not stand or sit on the wooden boards.
- Please wear gloves during the assembly and/or disassembly process to avoid scratches from any sharp edges.
- Please match the corresponding part and fitting based on the part number in the manual.
- If the part does not match with the fitting, please check the piece as specified in this manual.
- During assembly, first loosely align all screws with the corresponding pre-drilled holes and then tighten the screws one by one.
- Periodically inspect screw tightness while the product is in use. If necessary, retighten to ensure structural integrity.
- If you accidentally spill water or another liquid on the surface, immediately wipe clean with a dry towel.
- Please keep the product away from sharp, pointed objects and corrosive substances to prevent product damage.
- Please place this item on level, solid ground during use.

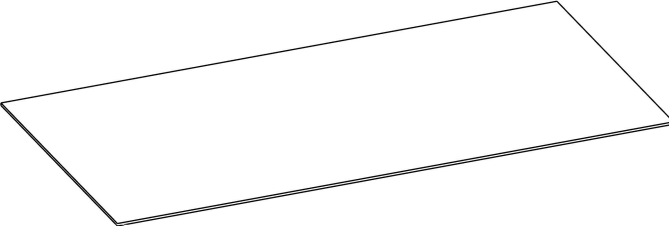
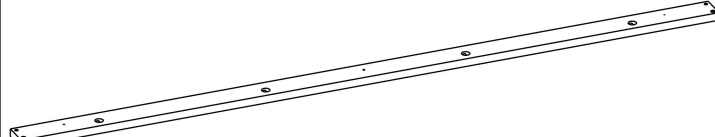
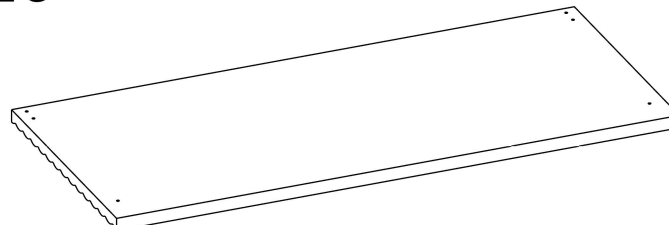
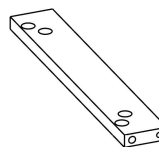
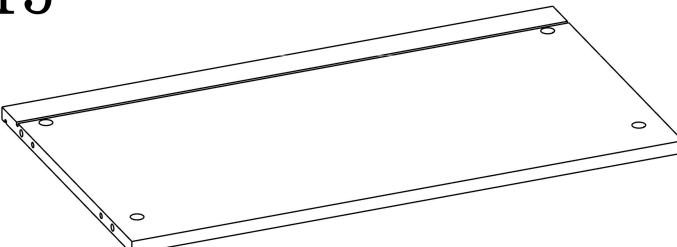
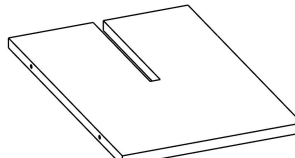
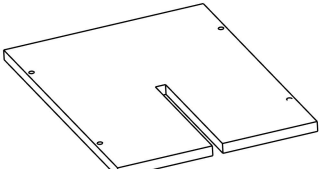
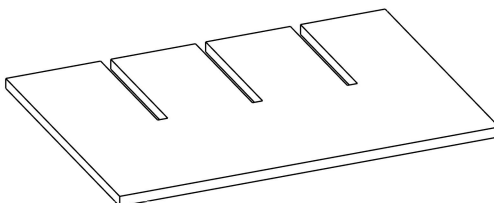
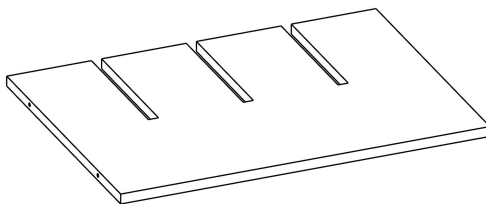
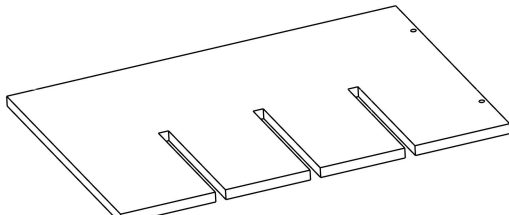
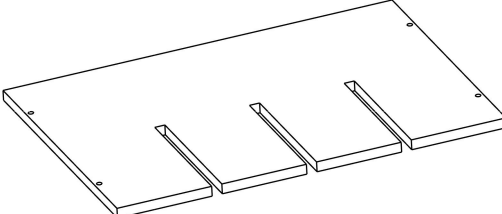
Warnings

- During assembly, keep all small parts out of the reach of children. It may be fatal if swallowed or inhaled.
- Children should not climb or play on the product in order to avoid tipping over the furniture and causing serious injury.
- To avoid the potential dangers of suffocation, please keep all parts and packaging (film, plastic bags, foam, etc.) away from babies and children.
- Keep sharp objects and corrosive items away from the product to avoid any damage or injury.
- Do not shake or move violently during use to avoid tipping over the product.

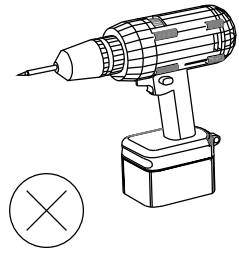
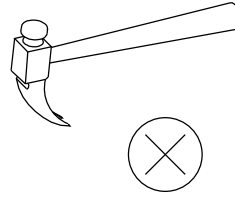
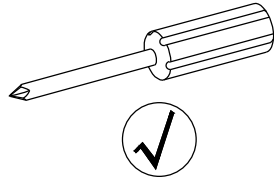
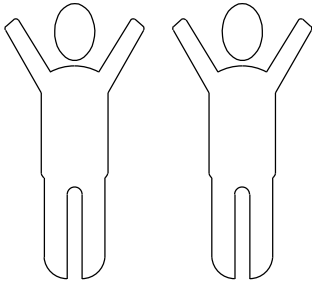
Parts List



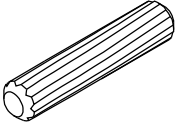
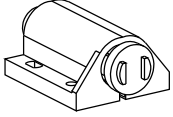

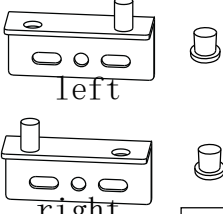
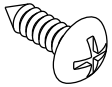
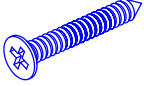
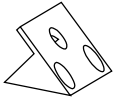

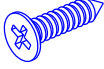


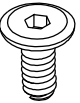
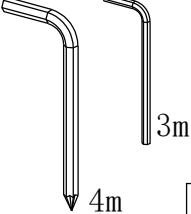
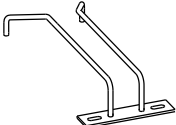

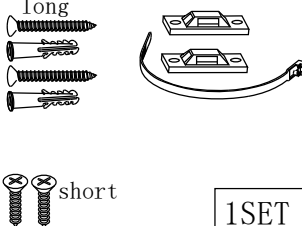
1  x1	2  x1
3  x1	4  x1
5  x2	6  x6
7  x2	8  x2
9  x2	10  x1

Parts List

<p>11</p>  <p>x1</p>	<p>12</p>  <p>x2</p>	
<p>13</p>  <p>x2</p>	<p>14</p>  <p>x2</p>	
<p>15</p>  <p>x1</p>	<p>16</p>  <p>x2</p>	<p>19</p>  <p>x2</p>
<p>17</p>  <p>x2</p>	<p>18</p>  <p>x1</p>	
<p>20</p>  <p>x2</p>	<p>21</p>  <p>x1</p>	

Parts List (EN)



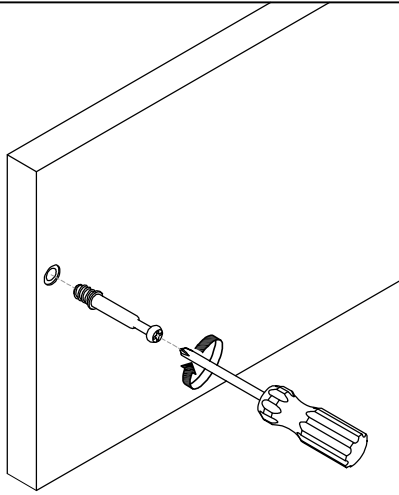
<p>A</p>  <p>44+2pcs</p>	<p>B</p>  <p>44+2pcs</p>	<p>C</p>  <p>28+2pcs</p>	<p>D</p>  <p>2pcs</p>
<p>E</p>  <p>2pcs</p>	<p>F</p>  <p>left right</p> <p>2SET</p>	<p>G</p>  <p>Ø3.5*16mm</p> <p>8+1pcs</p>	<p>I</p>  <p>Ø3.5*35mm</p> <p>6+1pcs</p>
<p>H</p>  <p>16+2pcs</p>	<p>K</p>  <p>Ø3.5*14mm</p> <p>16+2pcs</p>	<p>L</p>  <p>Ø3.5*12mm</p> <p>10+2pcs</p>	<p>M</p>  <p>8+1pcs</p>
<p>N</p>  <p>small</p> <p>16+1pcs</p>	<p>O</p>  <p>6+2pcs</p>	<p>p</p>  <p>4m 3m</p> <p>1SET</p>	<p>R</p>  <p>3pcs</p>
<p>T</p>  <p>24+2pcs</p>	<p>V</p>  <p>long short</p> <p>1SET</p>		

INSTALLING THE CAM LOCKS

1

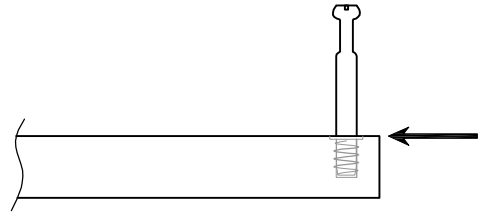


Do not over tighten!



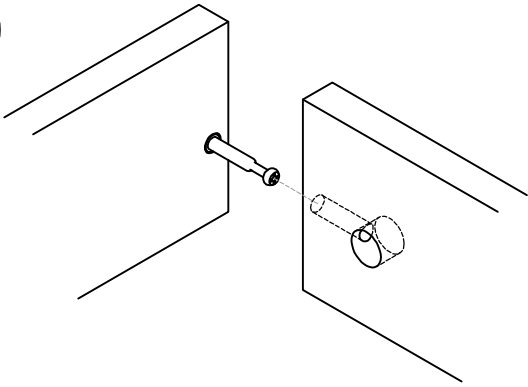
The base of the Cam Screw should be flush with the panel

2



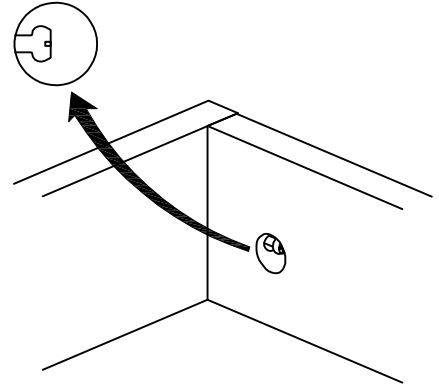
Screw the Cam Screw into the prethreaded hole. Tighten with a screwdriver until snug.

3



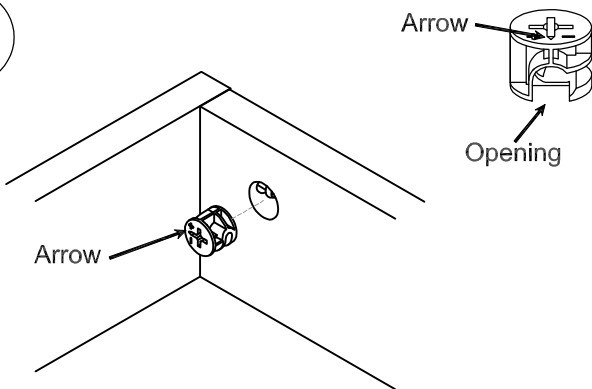
Connect the panels. Insert the Cam Screw into the small hole in the adjoining panel.

4



The head of the Cam Screw should be visible through the large hole.

5



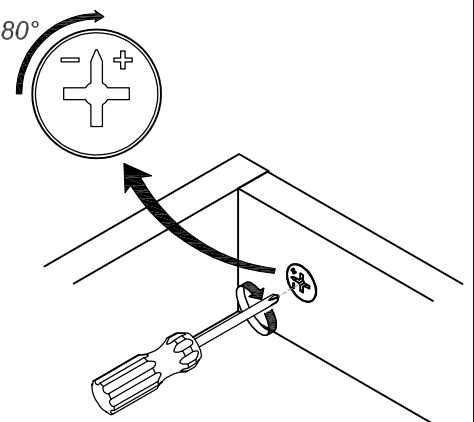
Insert the Cam Lock into the large hole. Make sure the arrow and the opening in the Cam Lock are facing the Cam Screw.

6

90°~180°



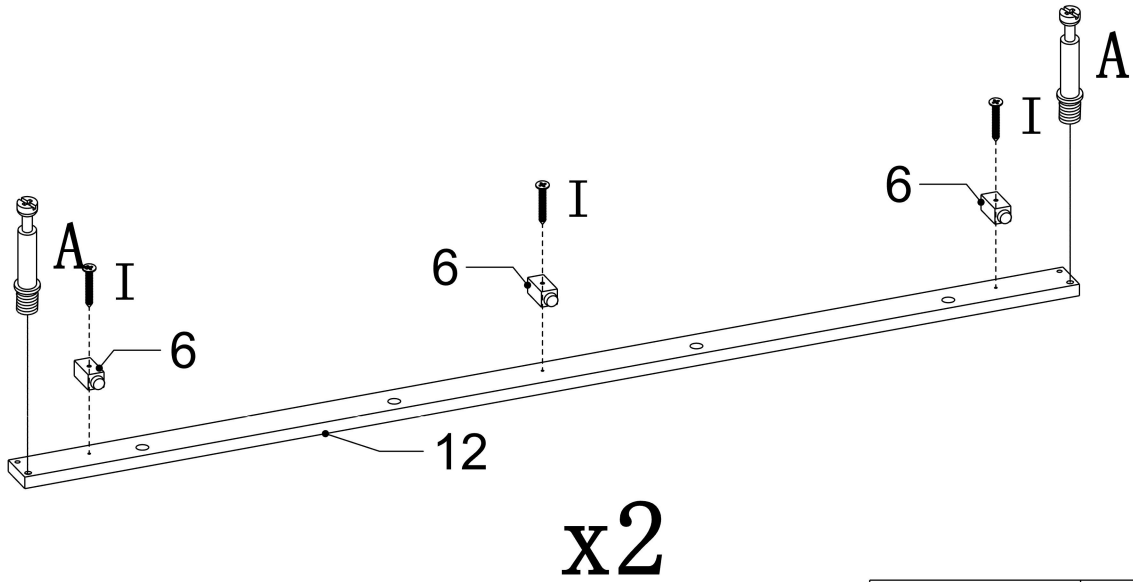
Do not over tighten!

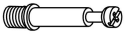



Using a screwdriver, turn the Cam Lock at least 90° clock-wise to lock the two panels firmly together.

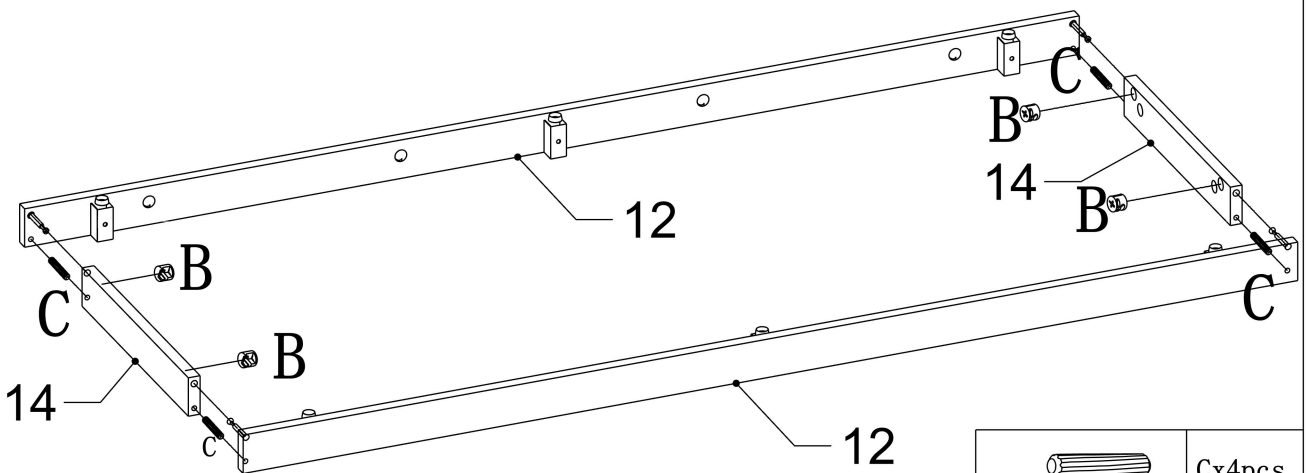
Assemble steps



Step 1



	Ax4pcs
	Ix6pcs

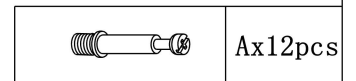
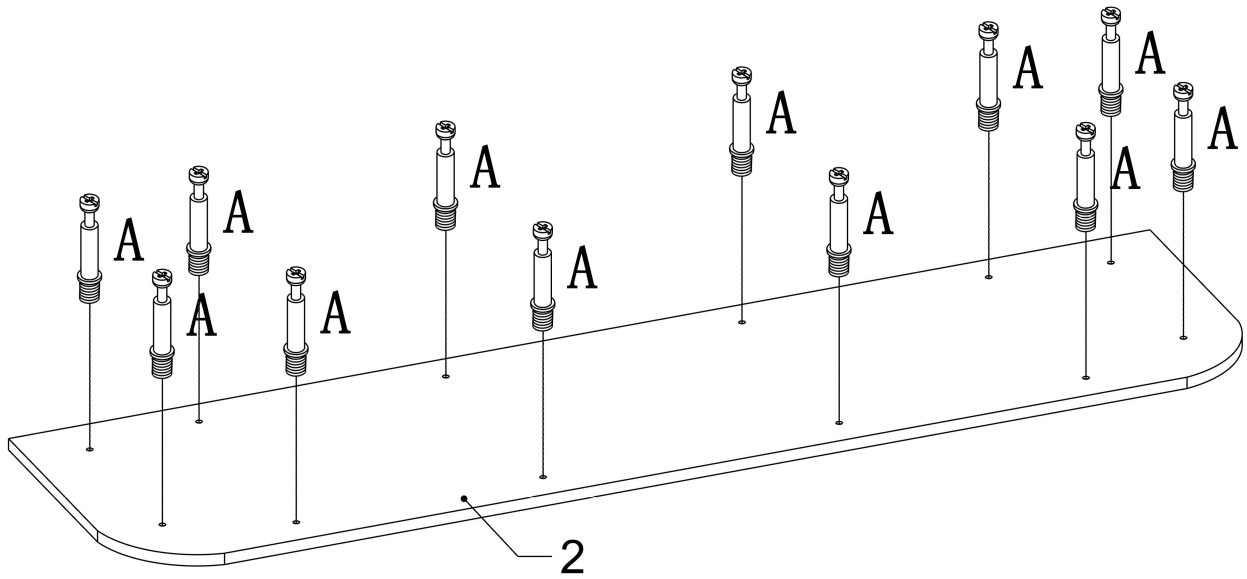
Step 2



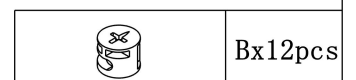
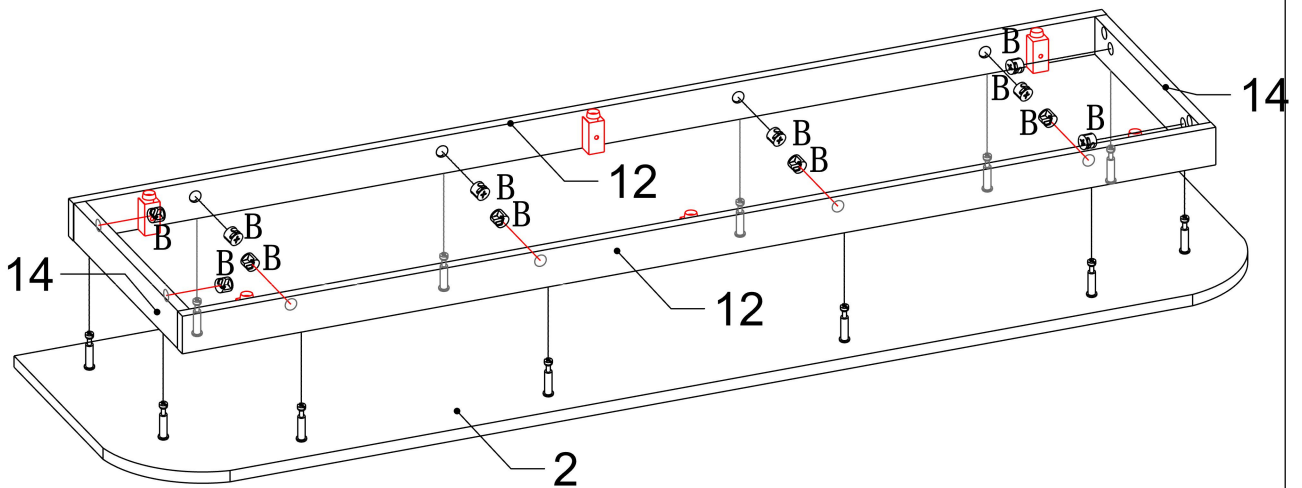
	Cx4pcs
	Bx4pcs

Assemble steps

Step 3

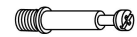
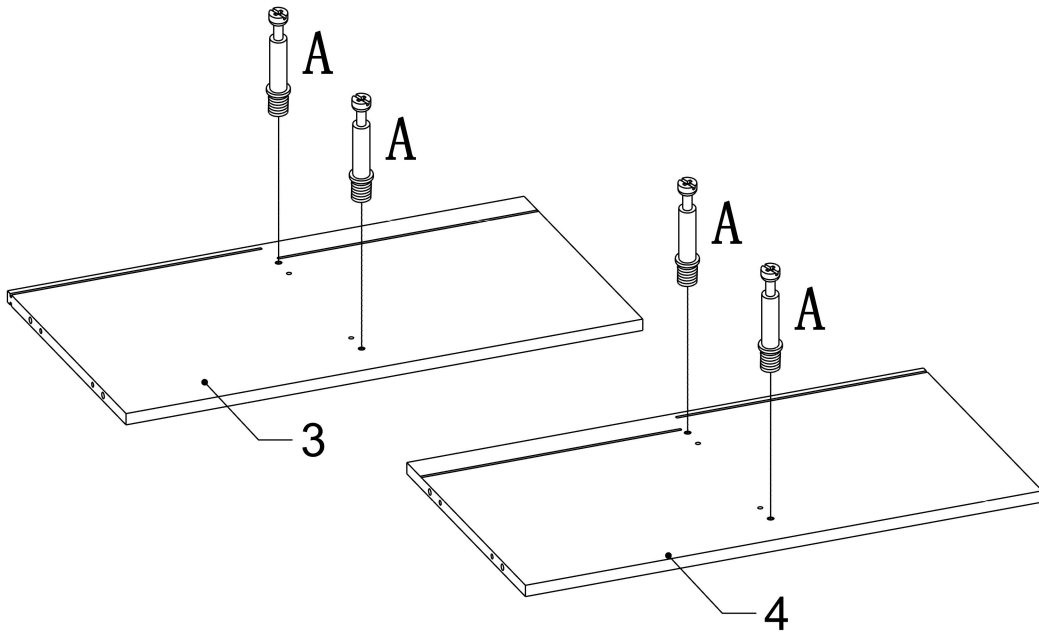


Step 4



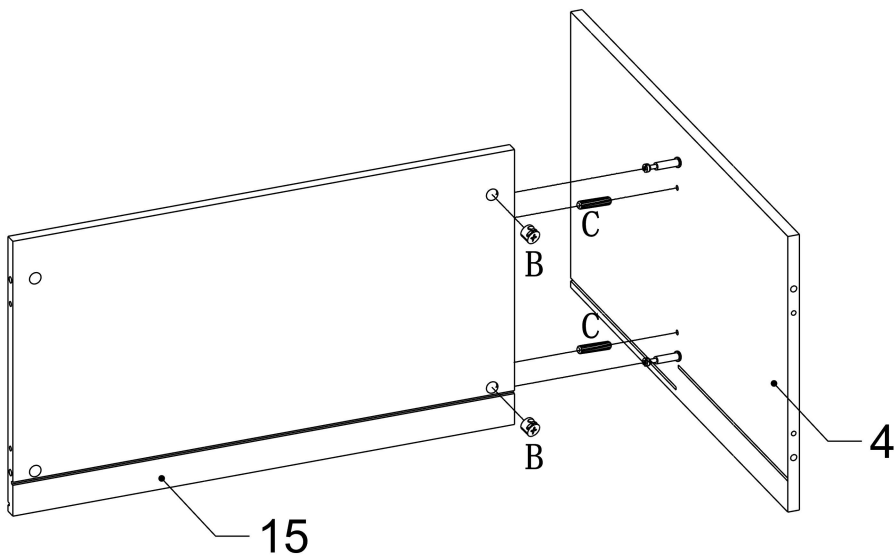
Assemble steps

Step 5



Ax4pcs

Step 6



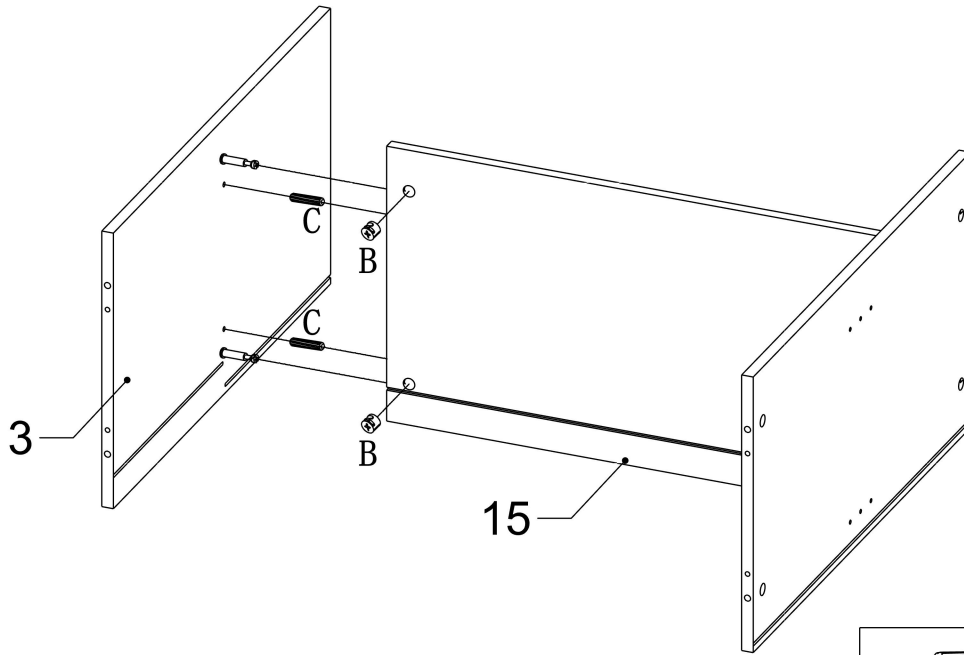
Cx2pcs





Bx2pcs

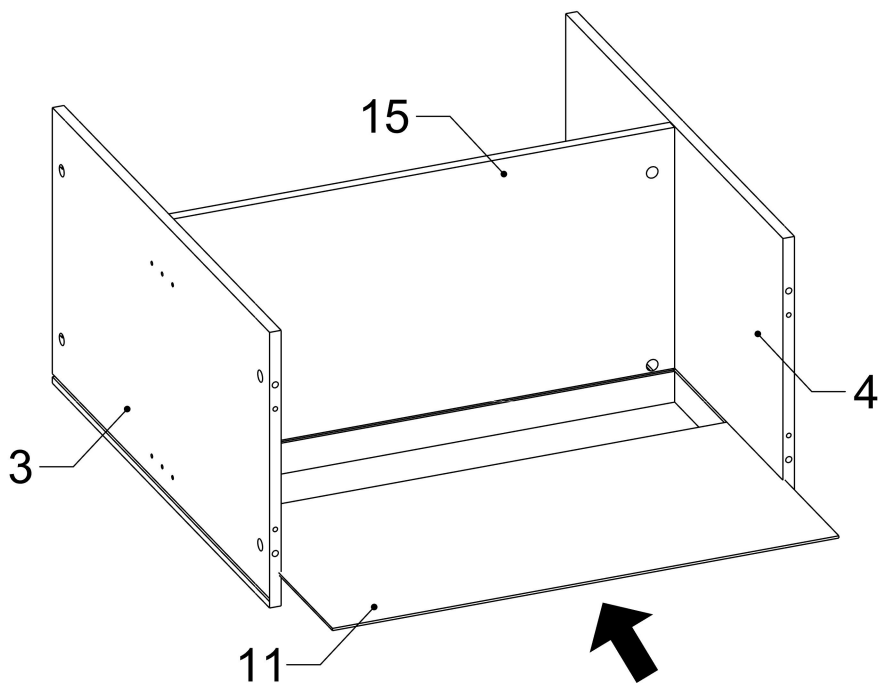
Assemble steps

Step 7



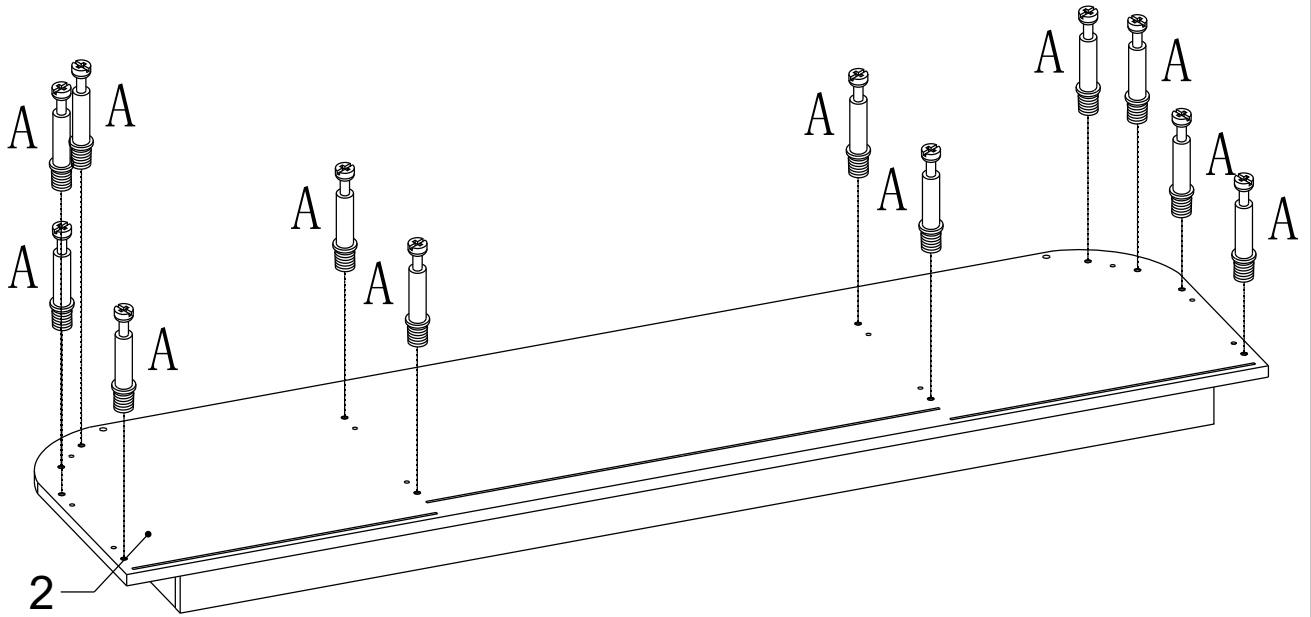
	Cx2pcs
	Bx2pcs

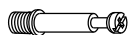
Step 8



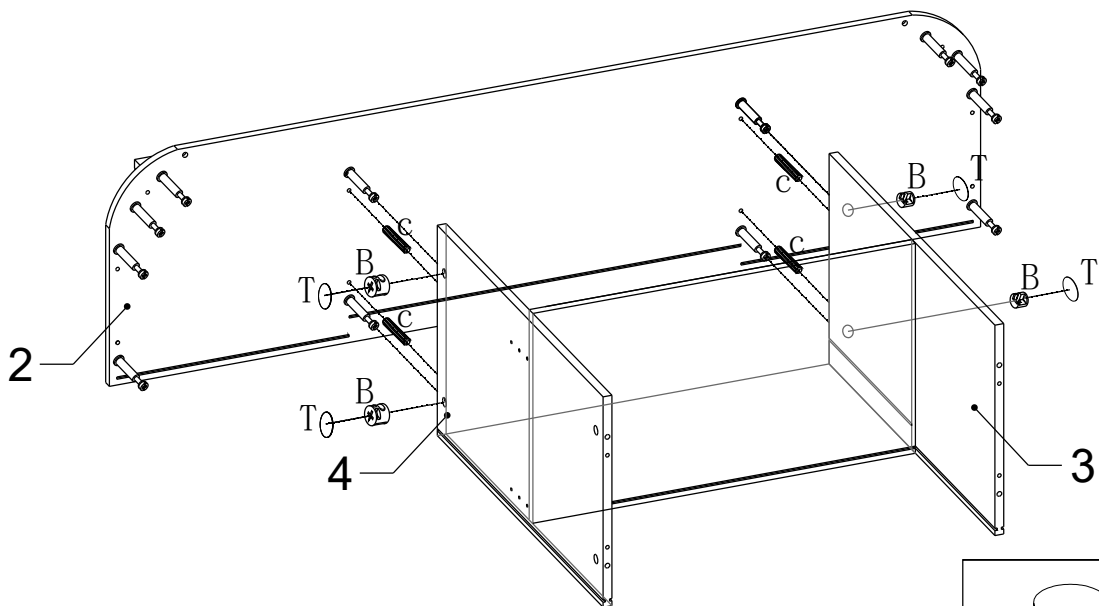
Assemble steps




Step 9



	Ax12pcs
---	---------

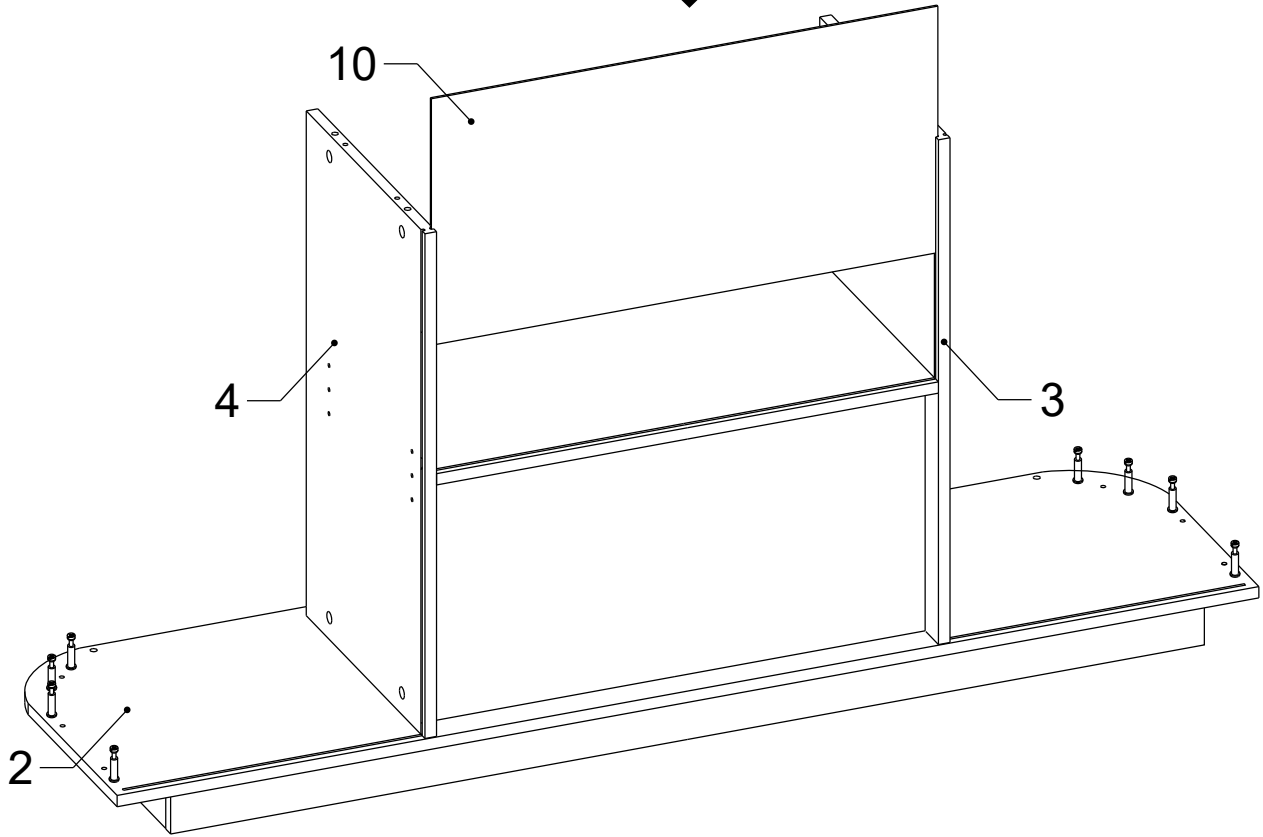
Step 10



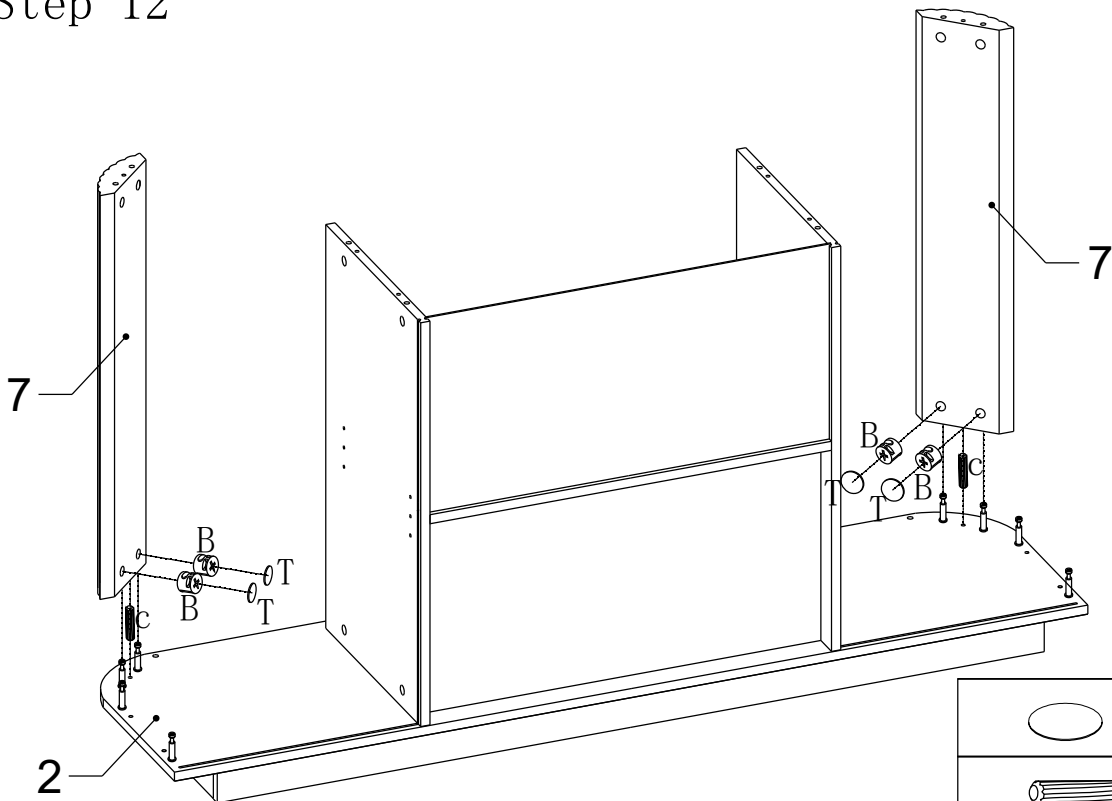
	Tx4pcs
	Cx4pcs
	Bx4pcs

Assemble steps

Step 11



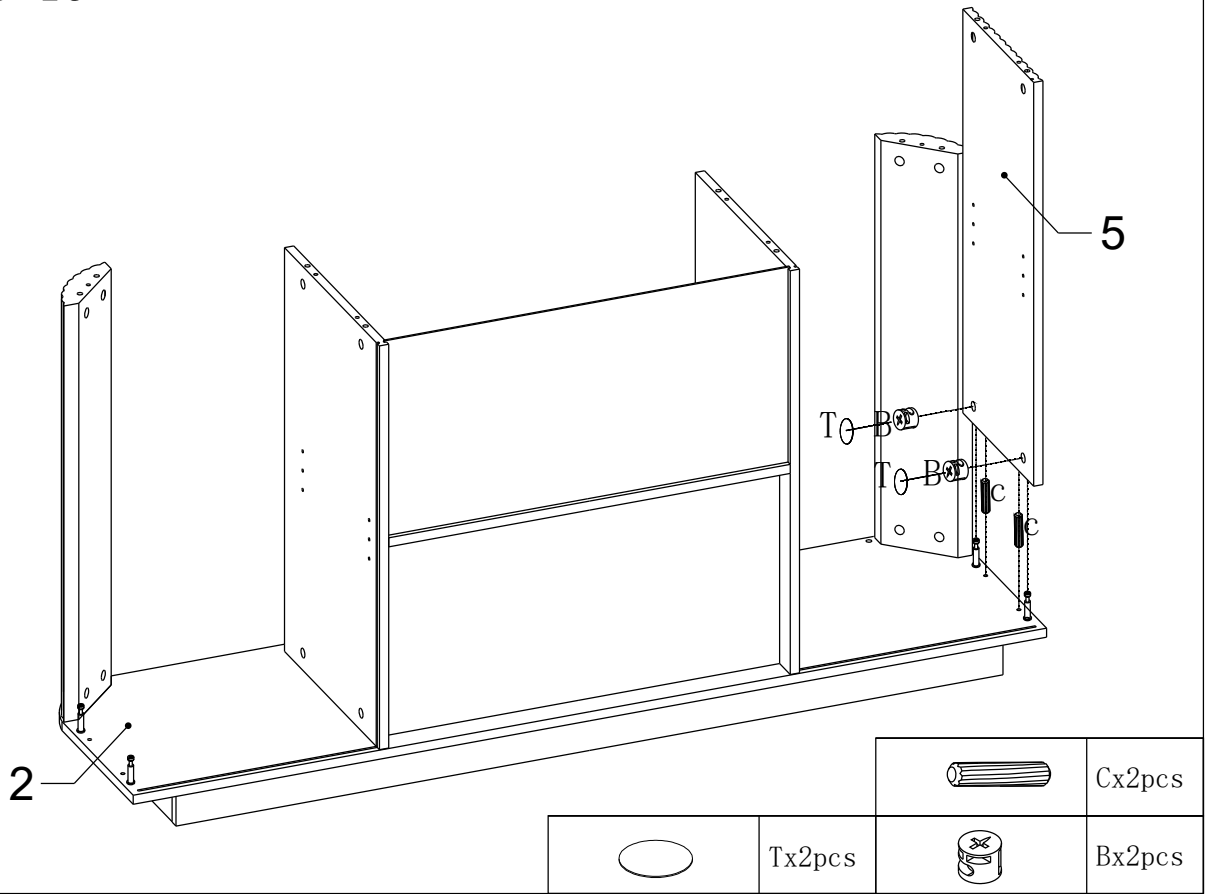
Step 12



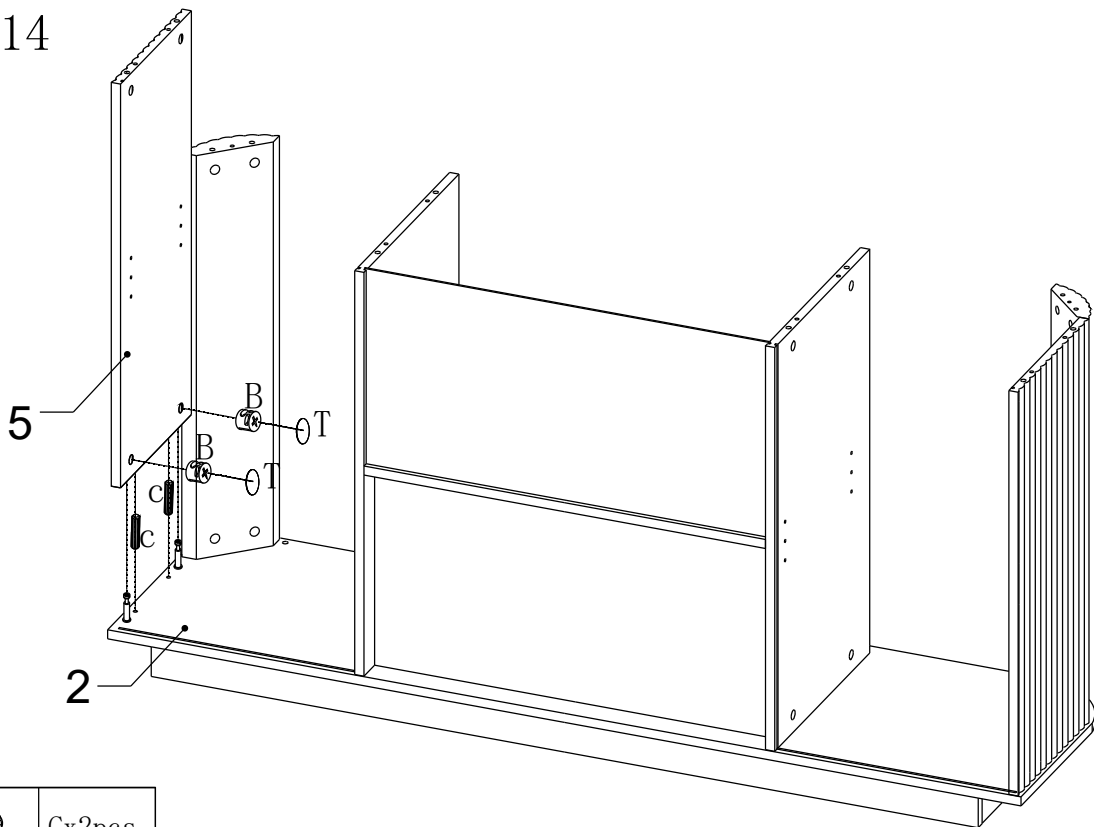
	Tx4pcs
	Cx2pcs
	Bx4pcs




Assemble steps

Step 13



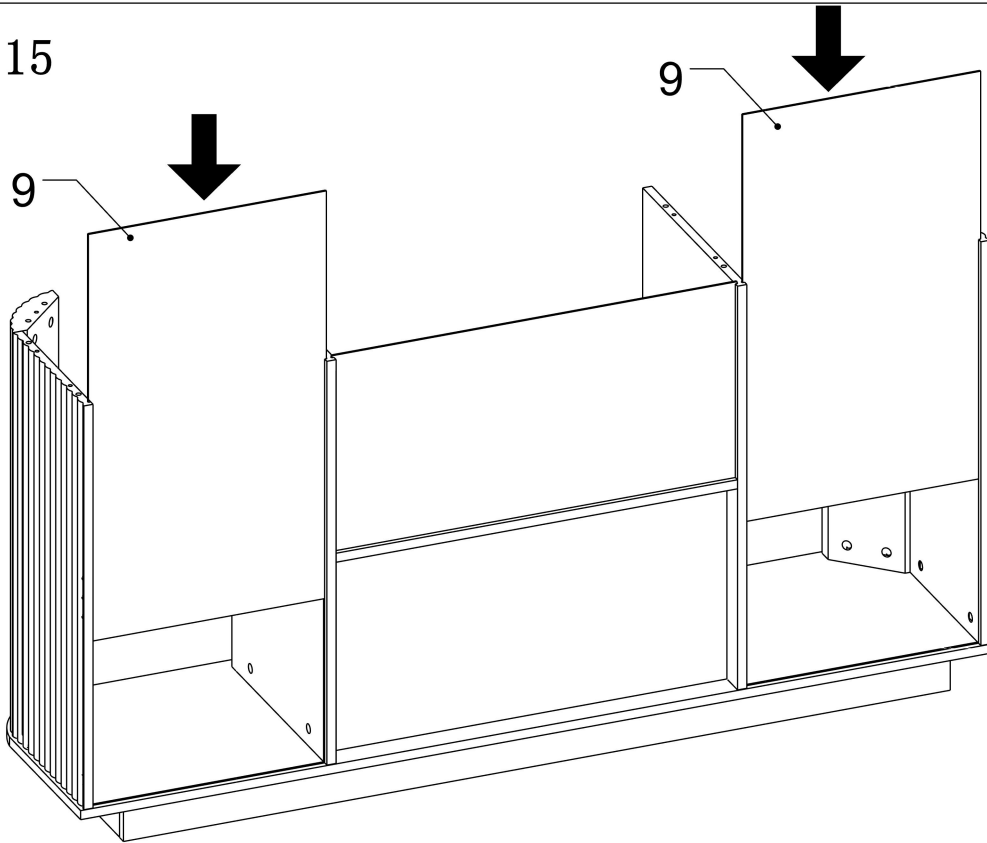
Step 14



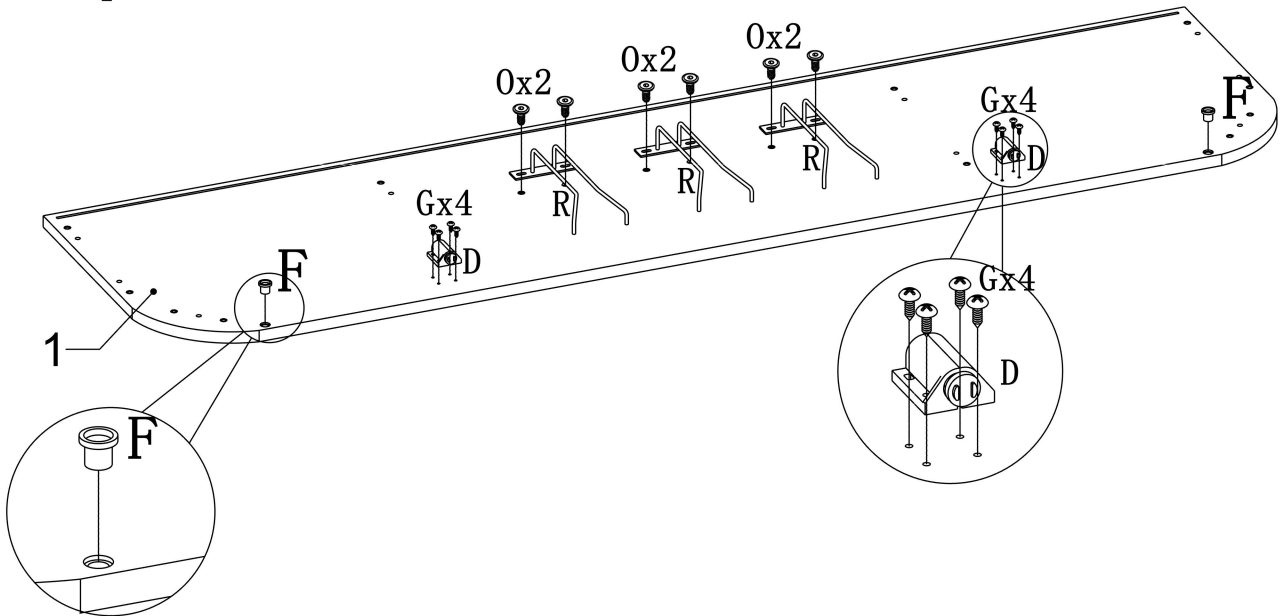
	Cx2pcs		
	Bx2pcs		Tx2pcs



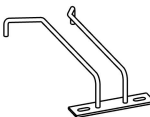


Assemble steps

Step 15



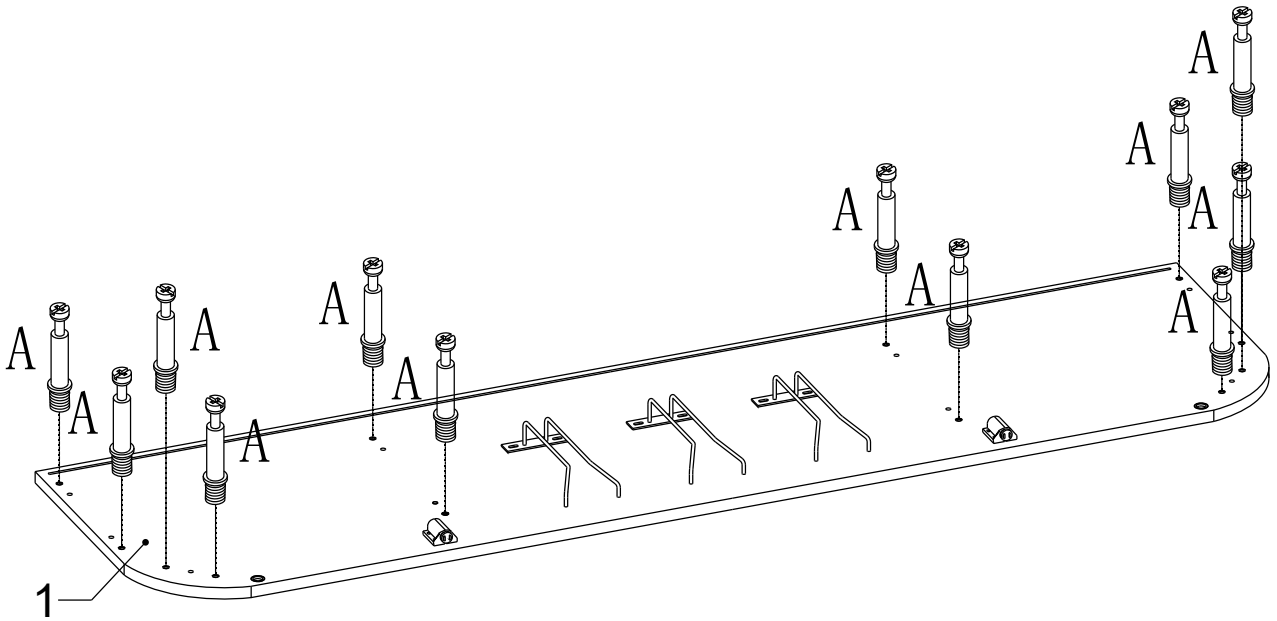
Step 16

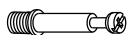


	0x6pcs		Gx8pcs
	Rx3pcs		Dx2pcs
			Fx2pcs

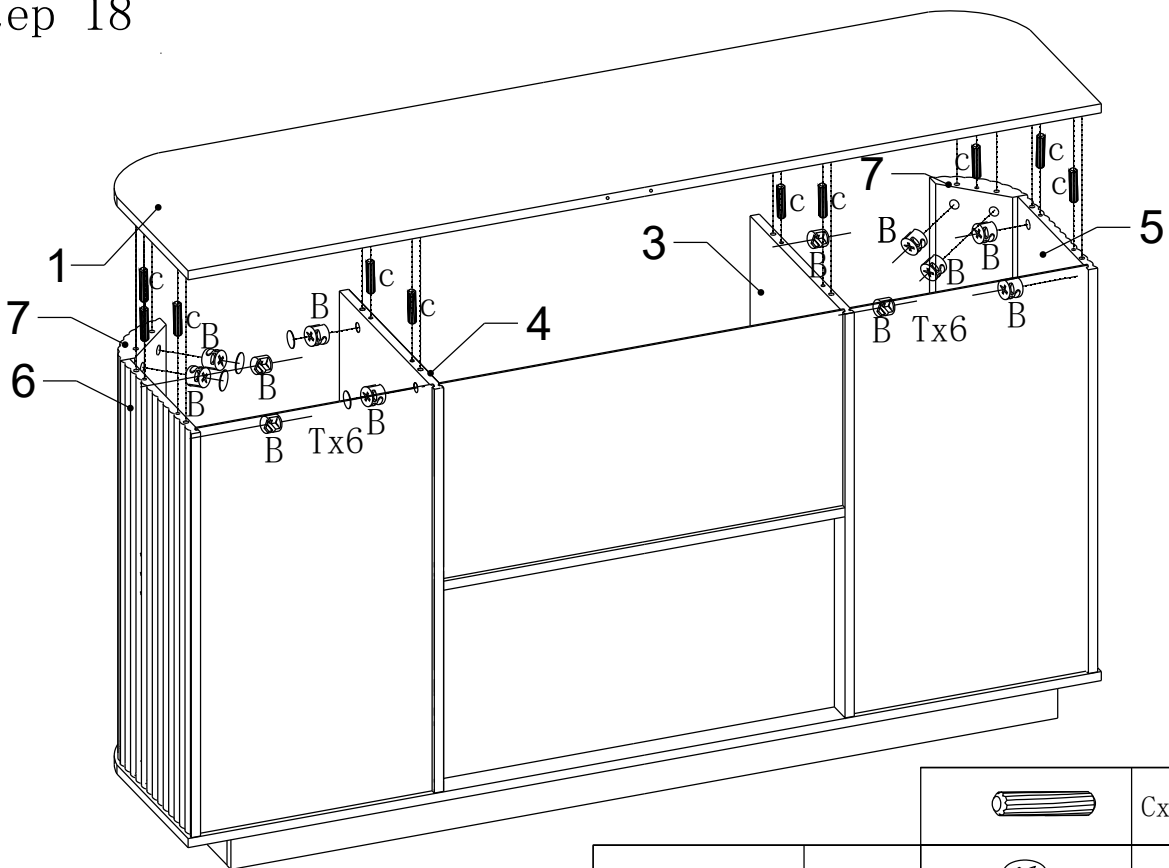
Assemble steps




Step 17



	Ax12pcs
---	---------

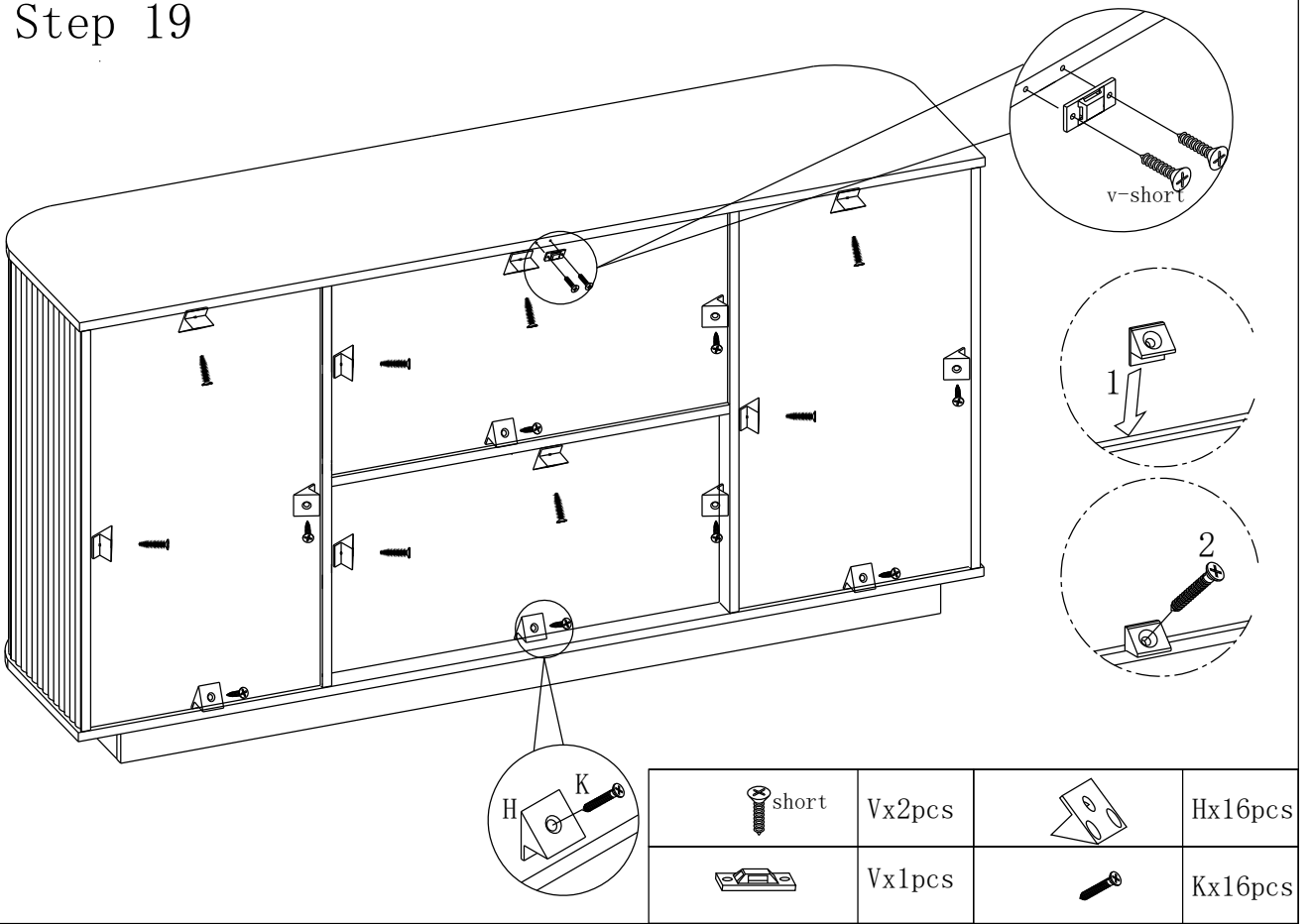
Step 18



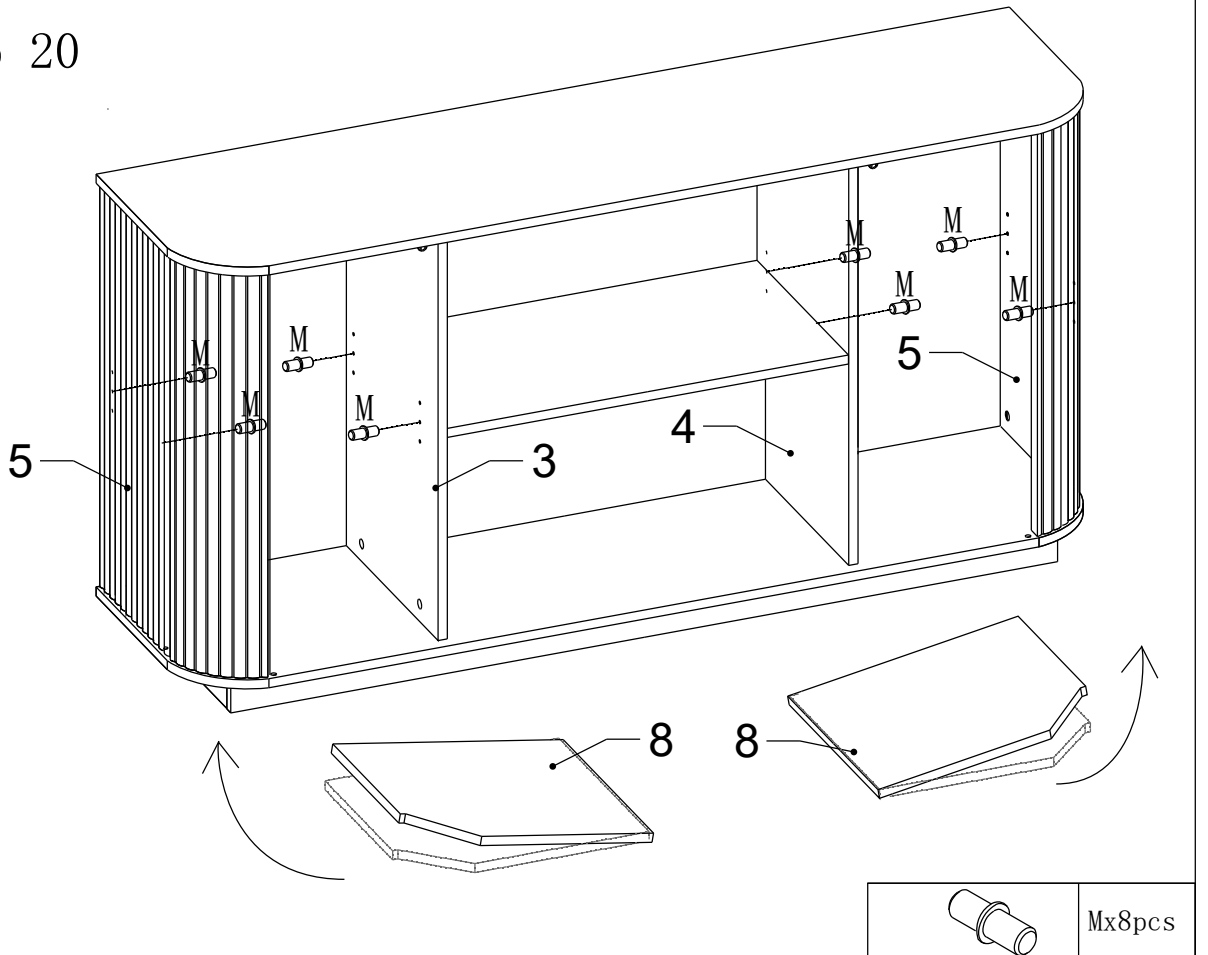
	Cx10pcs
	Bx12pcs
	Tx12pcs

Assemble steps

Step 19

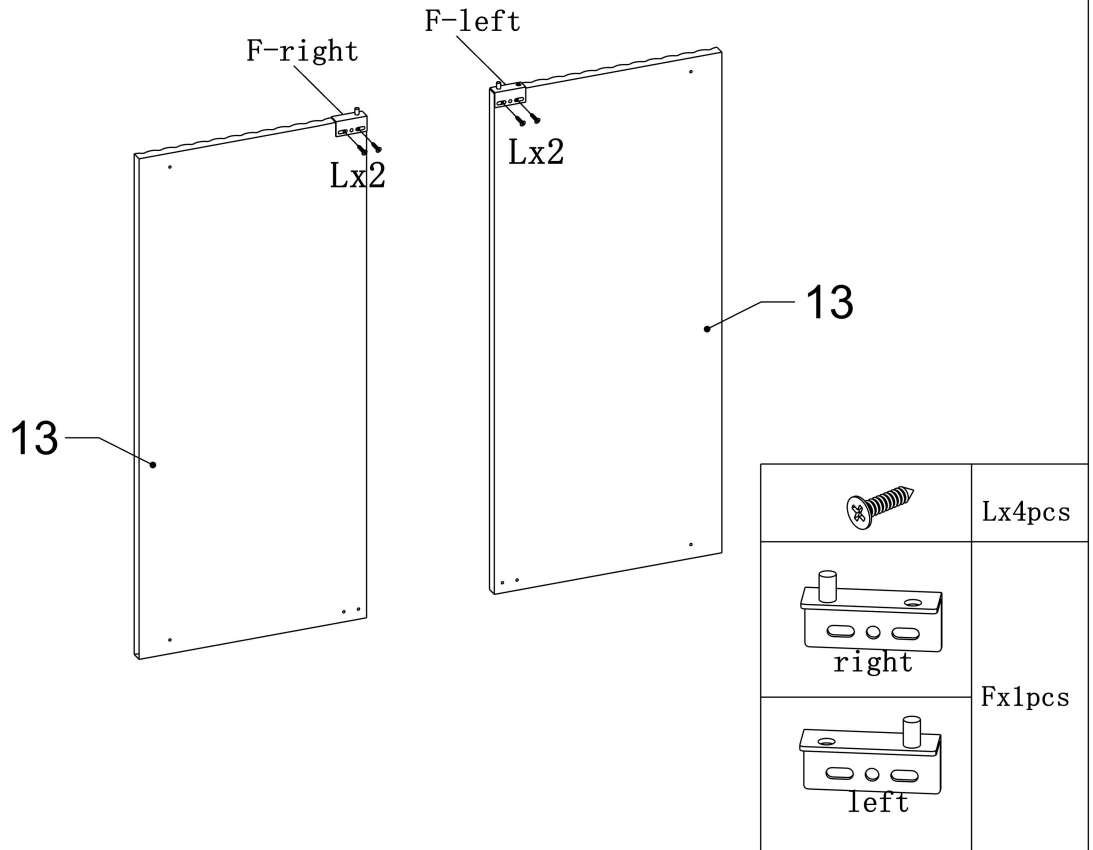


Step 20

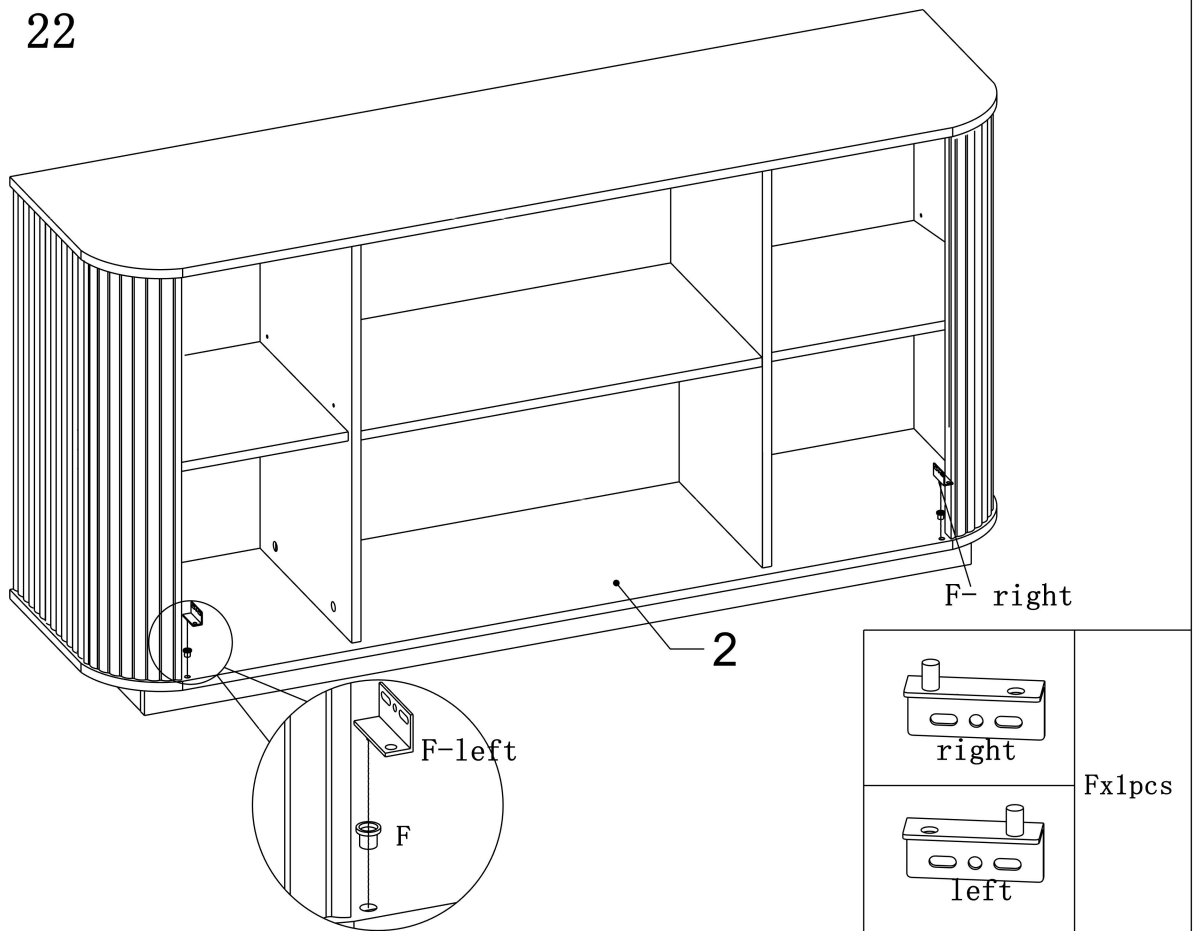


Assemble steps

Step 21



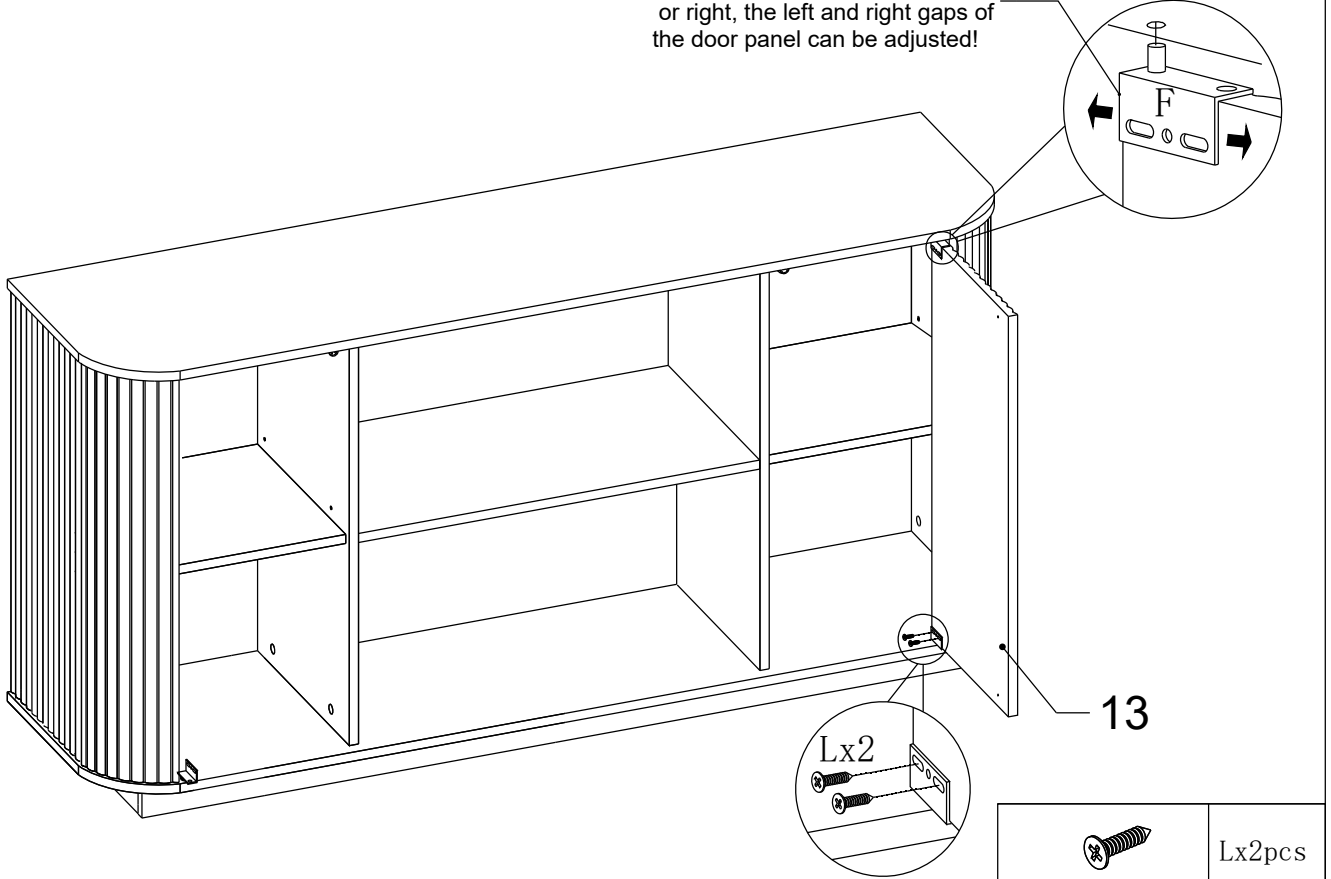
Step 22



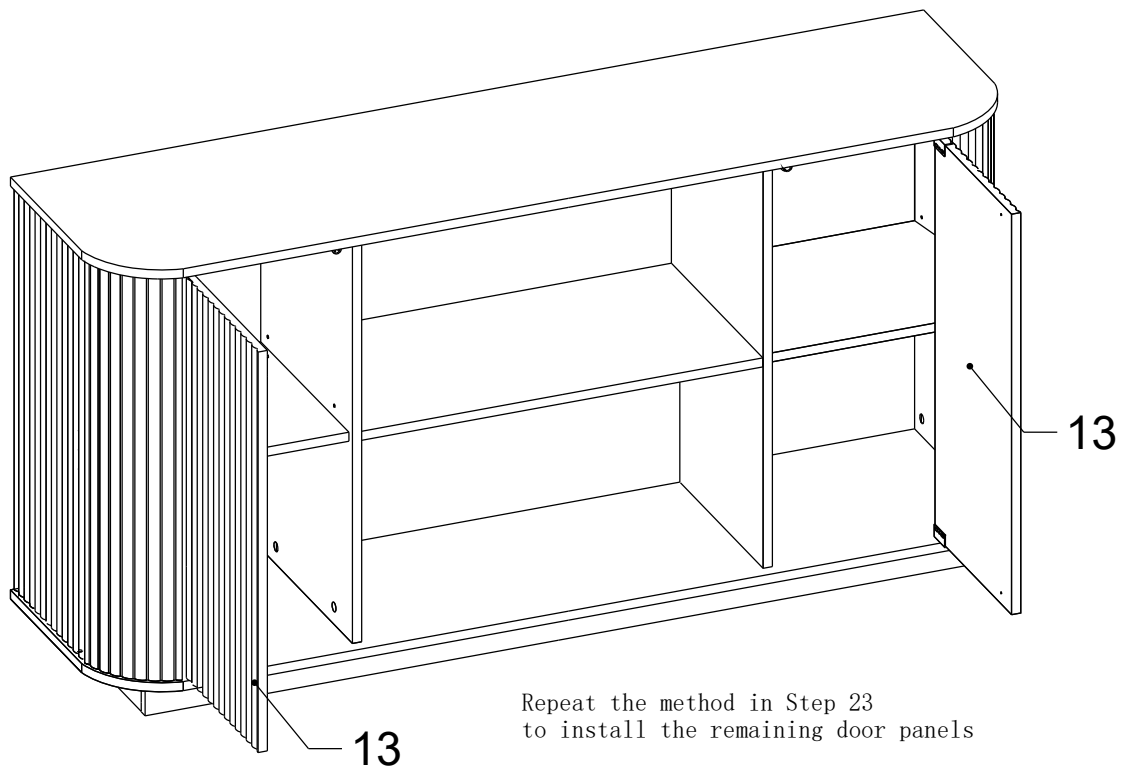
Assemble steps

Step 23

Attention
When the F accessory moves left
or right, the left and right gaps
of the door panel can be adjusted!



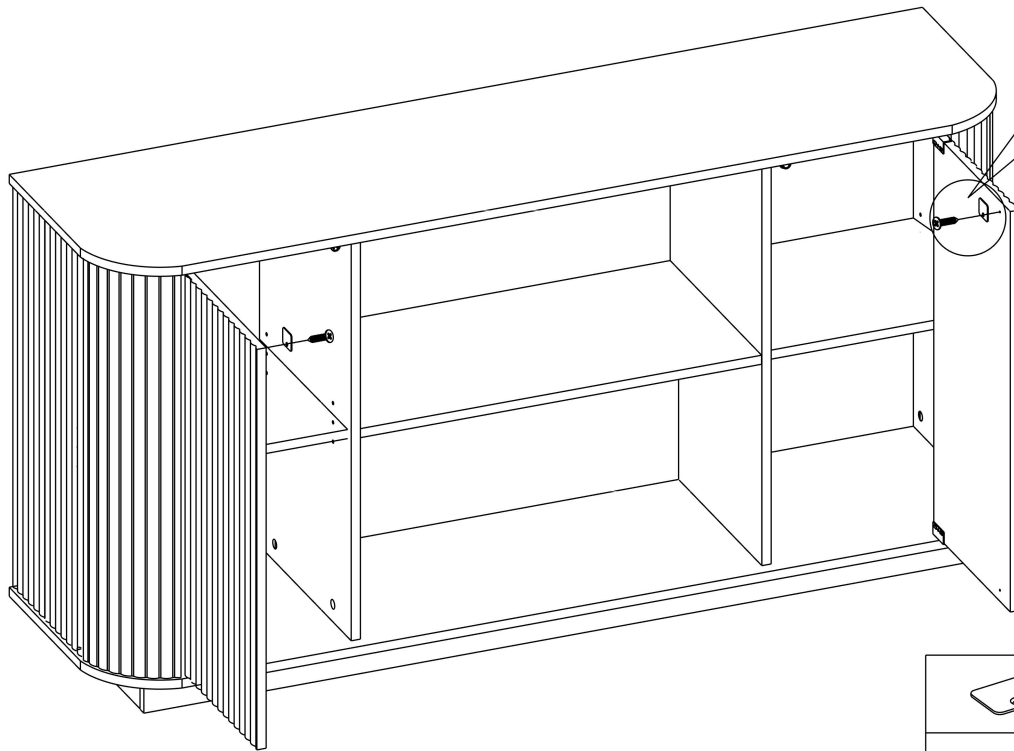
Step 24





Repeat the method in Step 23
to install the remaining door panels

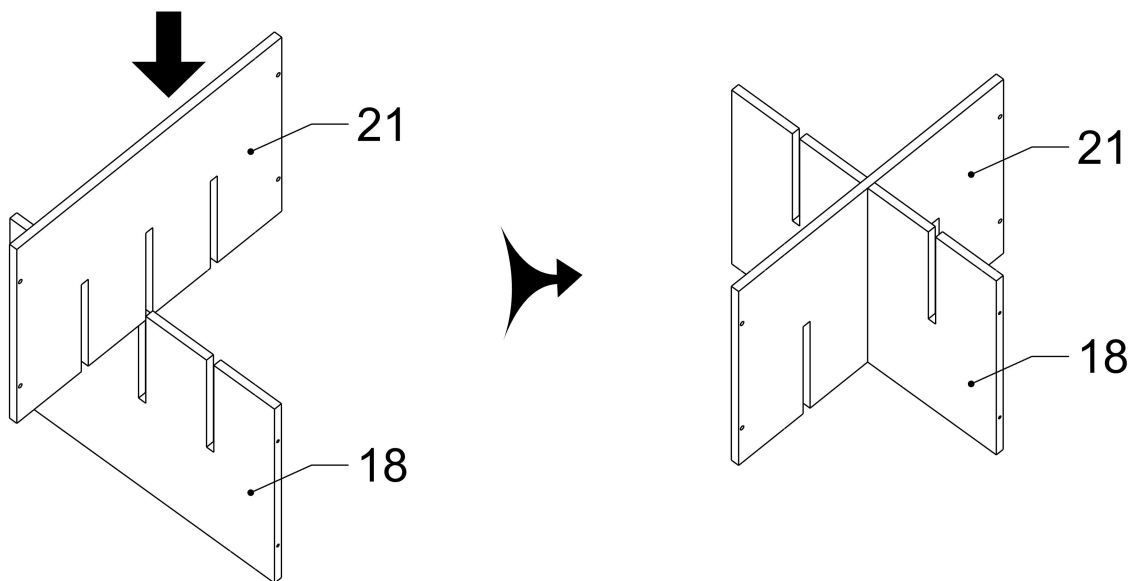
Assemble steps

Step 25



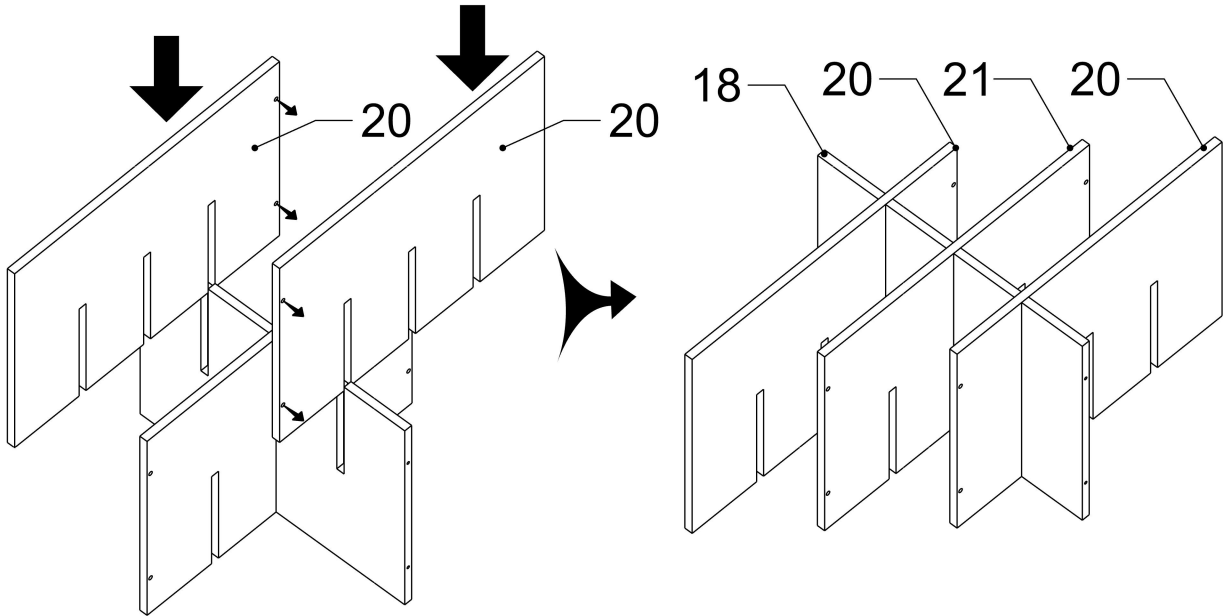
	Ex2pcs
	Lx2pcs

Step 26

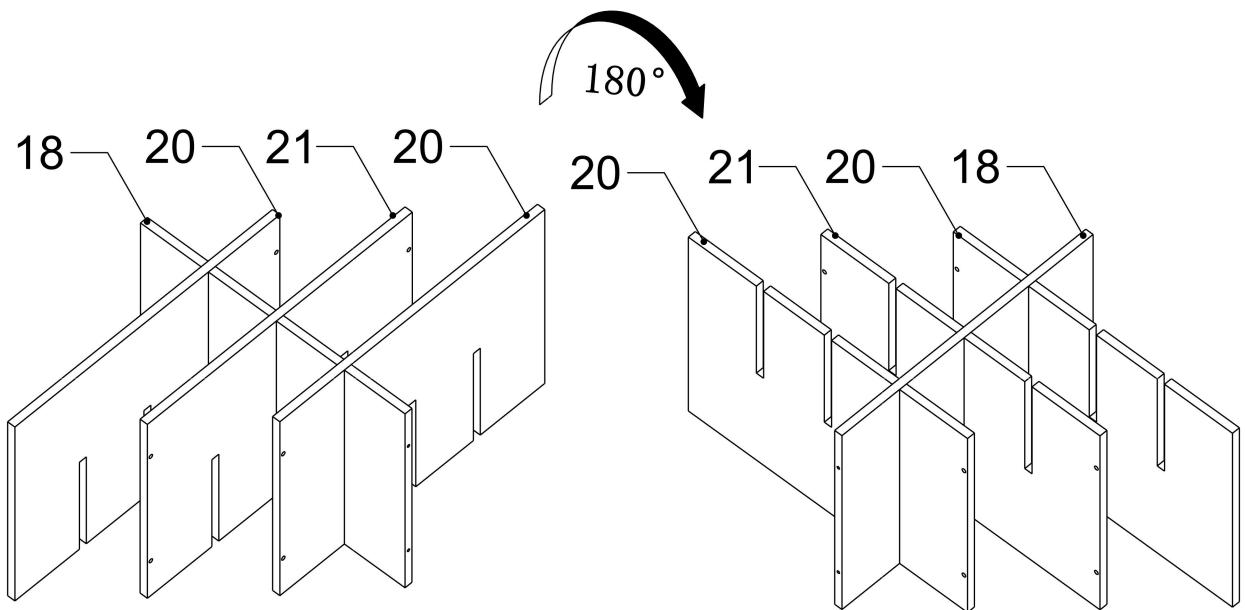


Assemble steps

Step 27

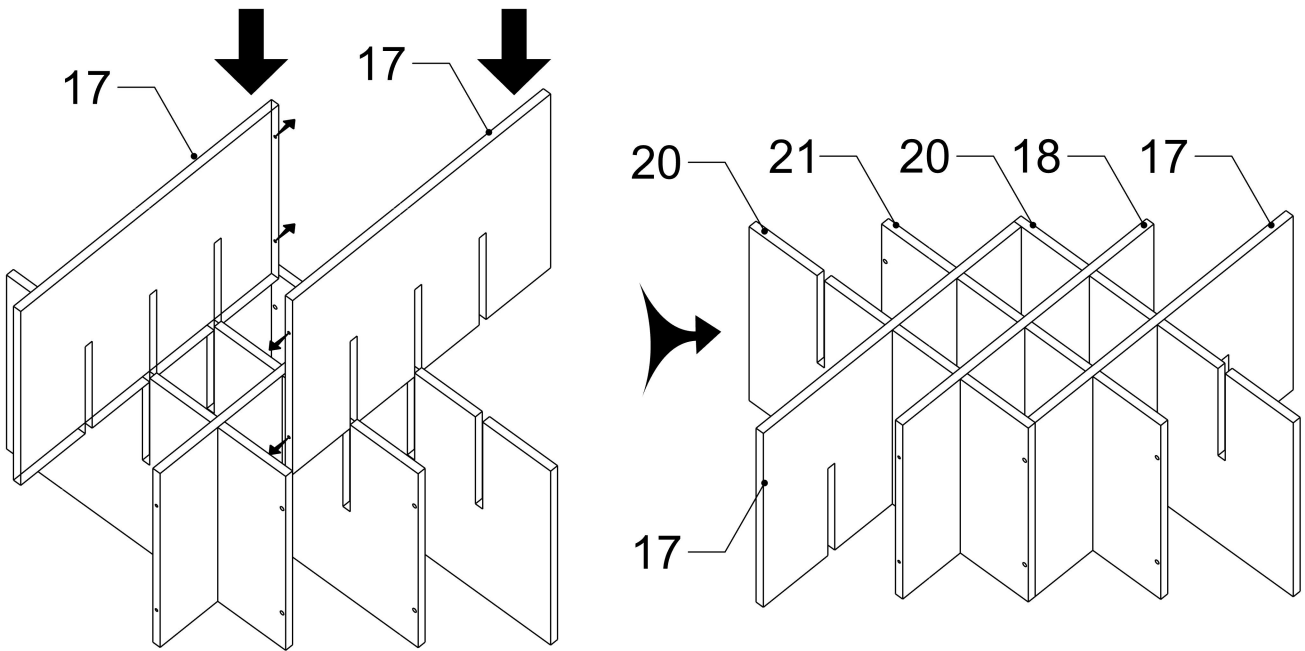


Step 28

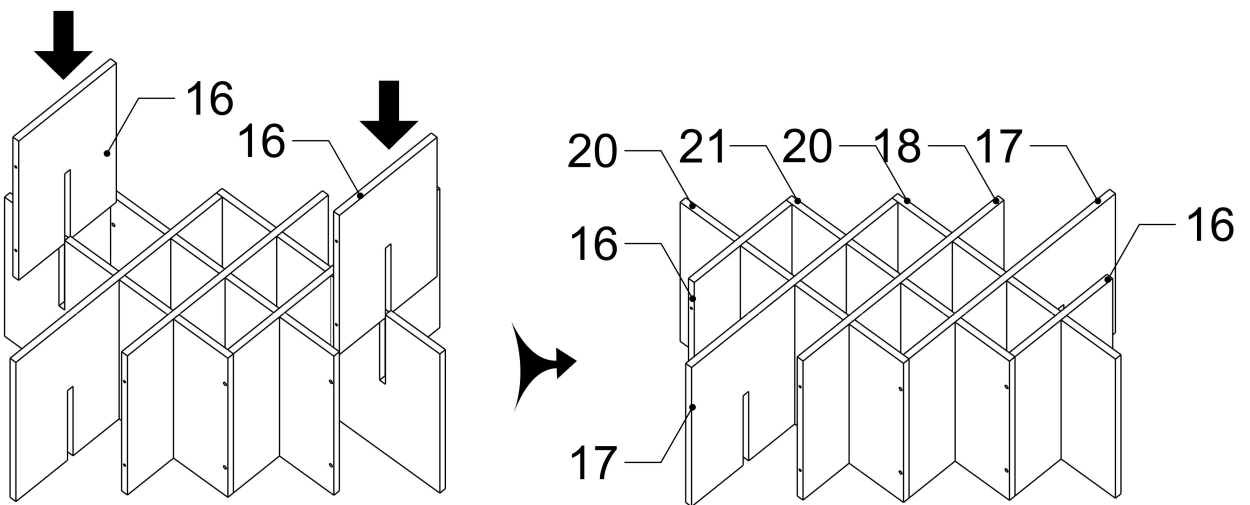


Assemble steps

Step 29

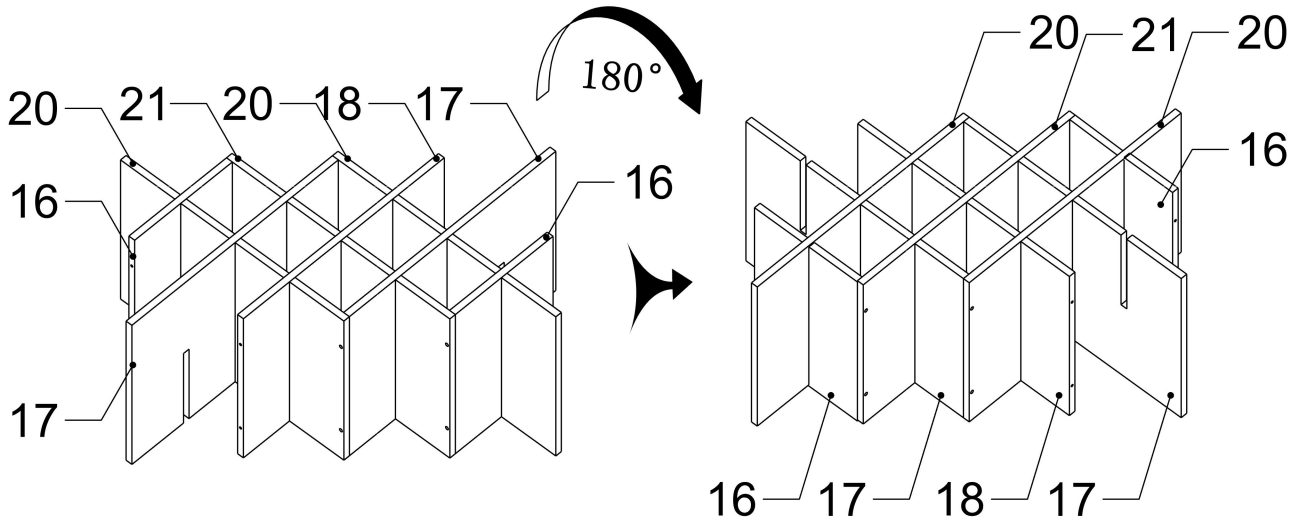


Step 30

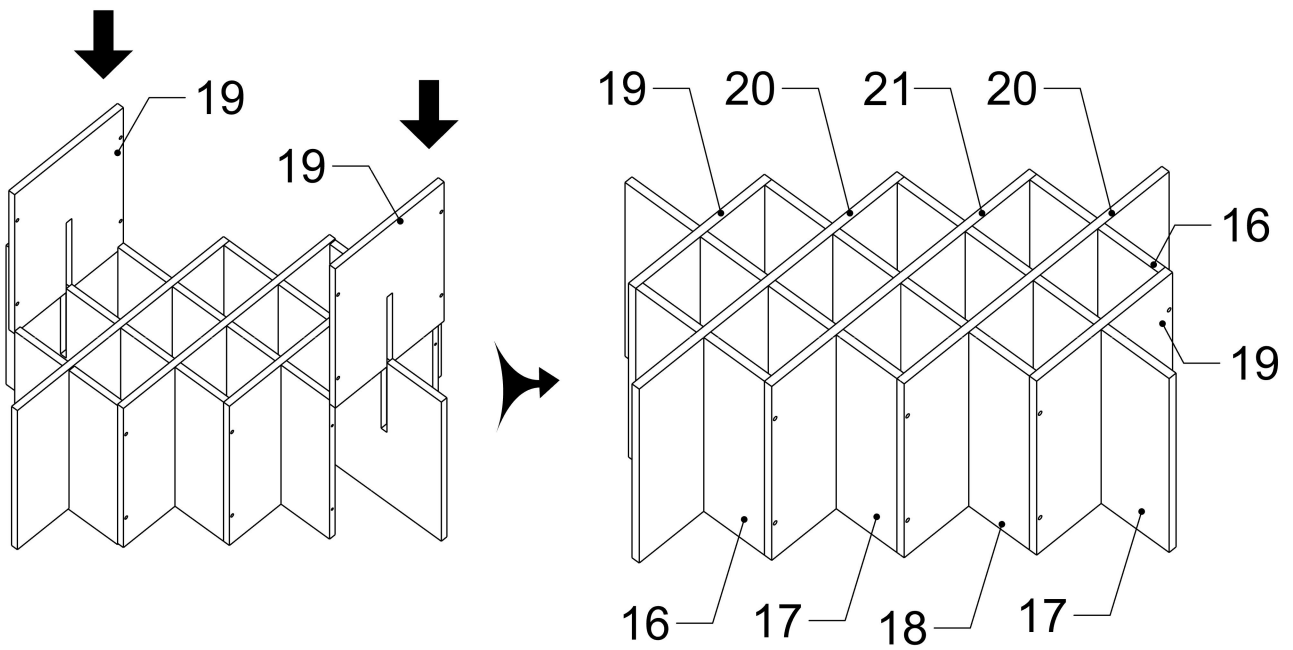


Assemble steps

Step 31

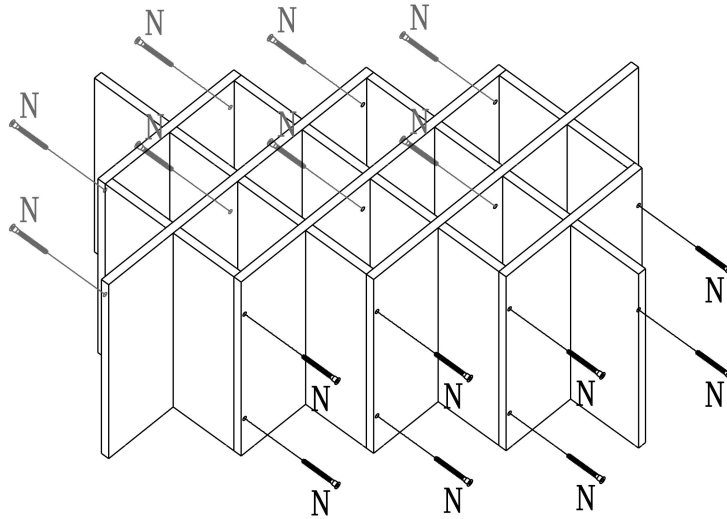


Step 32



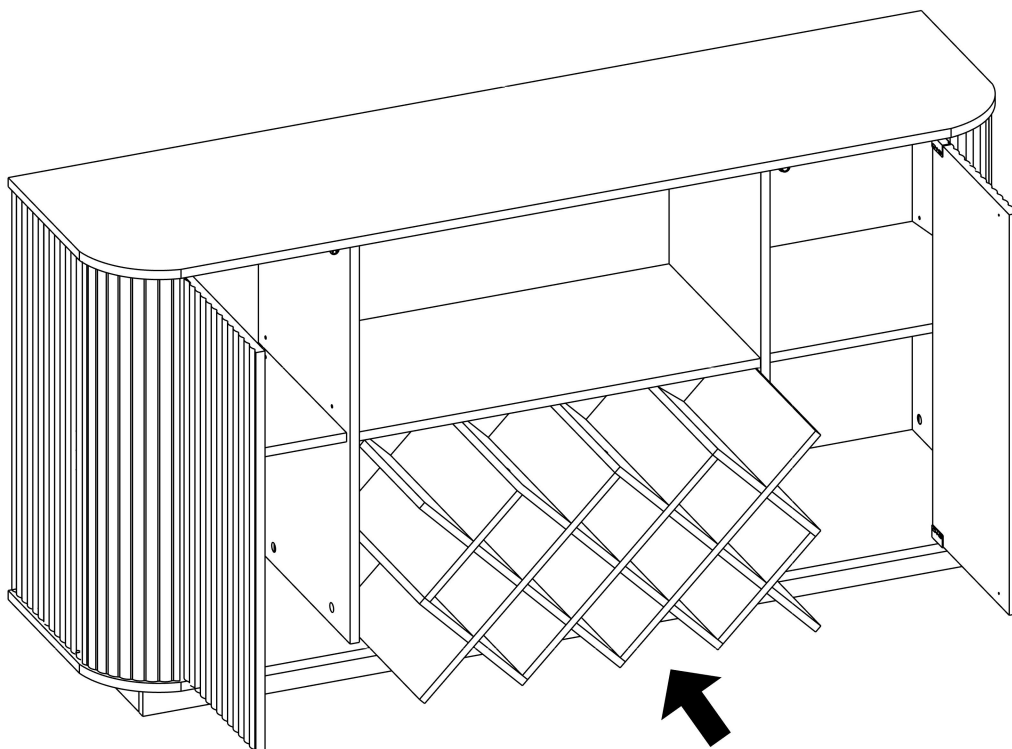
Assemble steps

Step 31



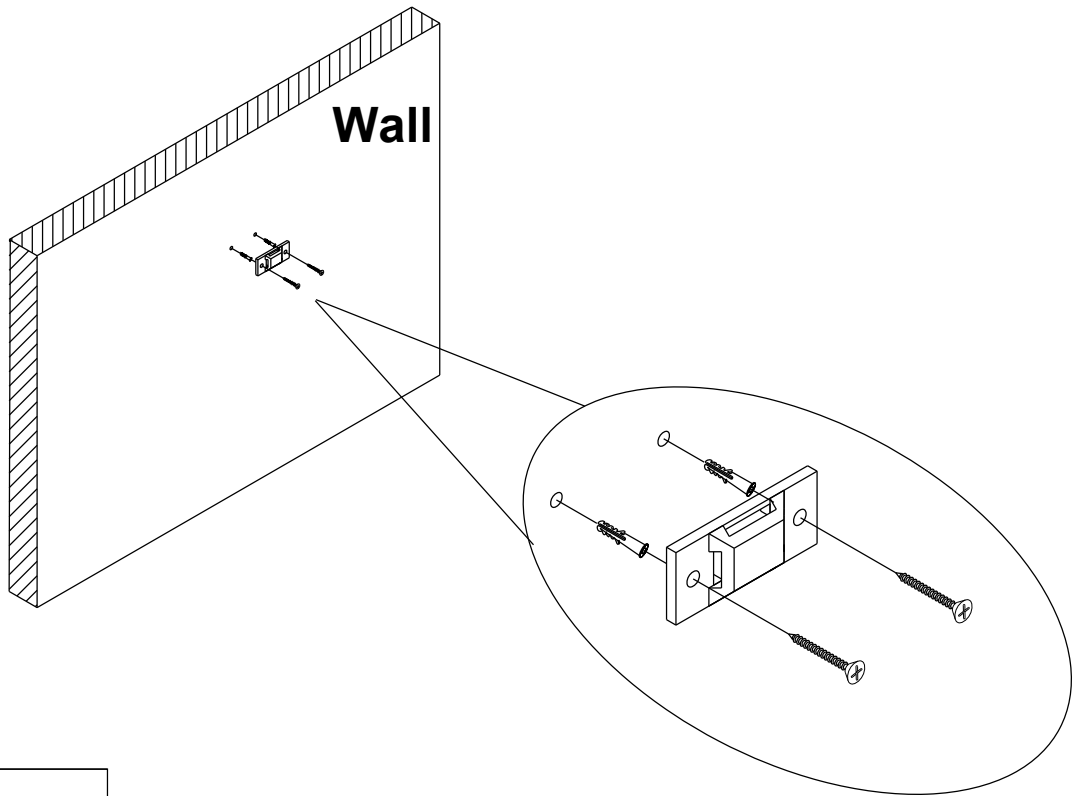
Nx12pcs



Step 32



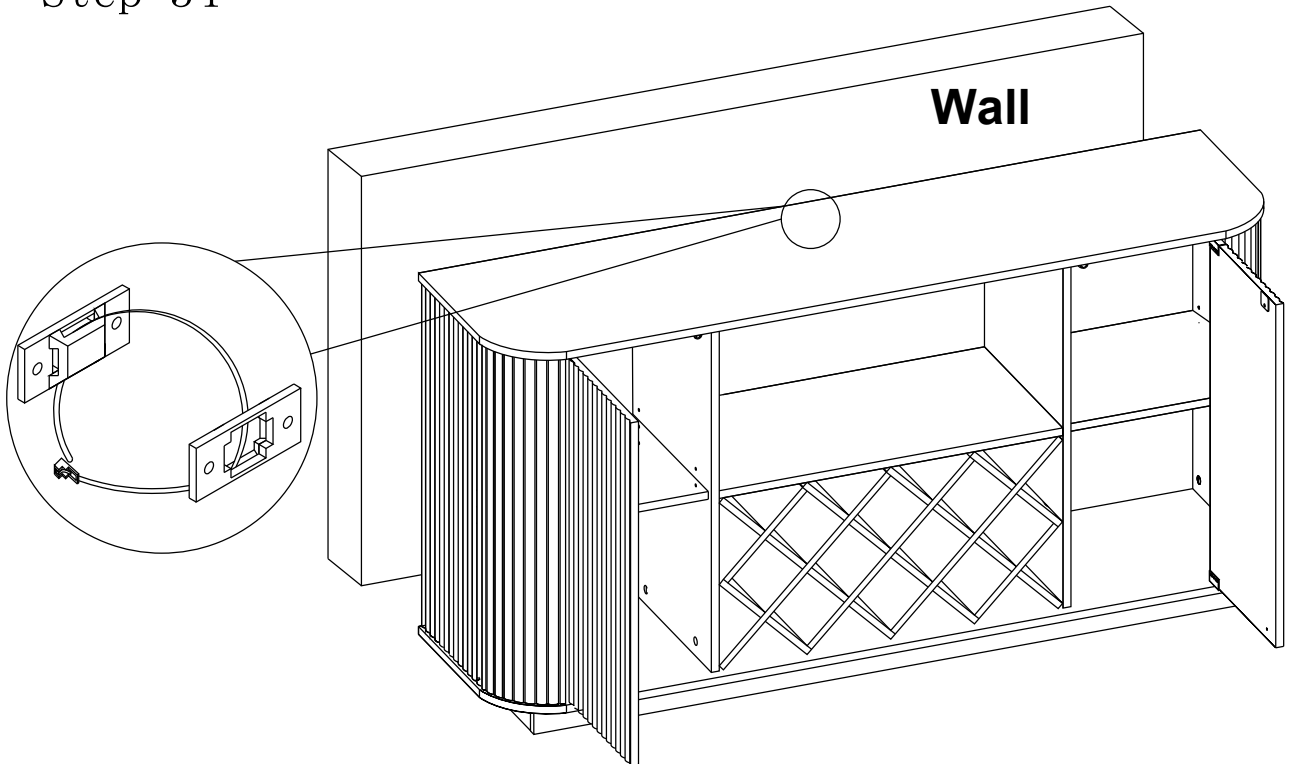
Assemble steps


Step 33



	Vx1pcs
 long	Vx2pcs

Step 34



	Vx1pcs
---	--------