

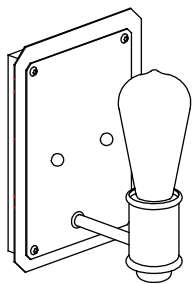
ASSEMBLY AND INSTALLATION INSTRUCTIONS

WARNING: TO AVOID RISK OF ELECTRICAL SHOCK, BE SURE TO SHUT OFF POWER WHILE INSTALLING OR SERVICING THIS FIXTURE.

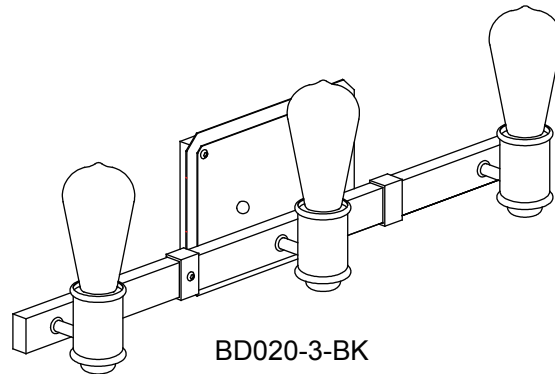
NOTES:

1. Before installing, consult local electrical codes for wiring and grounding requirements.
2. Read and save these instructions.
3. Always switch off the electricity supply and allow to cool for 10 minutes before changing the light bulbs.

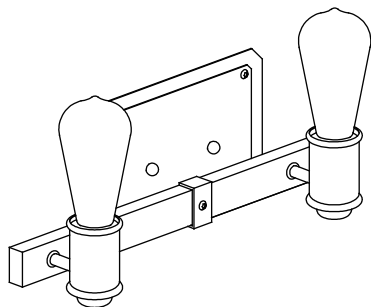
WALL SCONCE



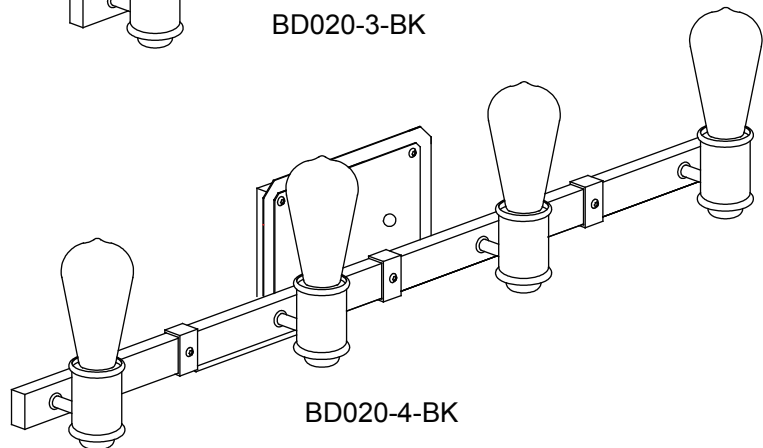
BD020-1-BK



BD020-3-BK

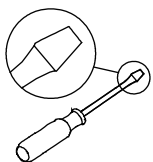


BD020-2-BK

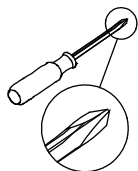


BD020-4-BK

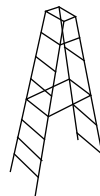
TOOLS REQUIRED



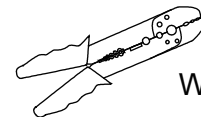
Flathead
Screwdriver



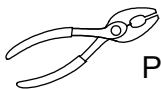
Phillips
Screwdriver



Ladder



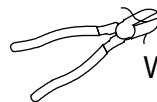
Wire Strippers



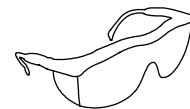
Pliers



Electrical
Tape



Wire Cutters



Safety Glasses

PREPARATION

Before beginning assembly of product, make sure all parts are present. Compare parts with package contents list and hardware contents list. If any part is missing or damaged, do not attempt to assemble the product. When the lamp is not installed finish, please don't throw away the package, so as not to leave the parts in the package.

PART LIST AND HARDWARE LIST

PIECE	DESCRIPTION
A	Mounting plate
B	Green ground screw
C	Outlet box screw

PIECE	DESCRIPTION
D	Wire nut
E	Screw nut
F	Fixture body

INSTALLATION

1. Attach the mounting plate(A) to the junction box with outlet box screw (C).
2. Attach the supply circuit ground wire (green or bare copper wire) to the the fixture ground wire, black to (black) and white to (white).
3. Attach the fixture body(F) to the mounting plate(A) with screw nut(E).
4. Install the 60W MAX "ST58" bulbs (not included) into socket.

