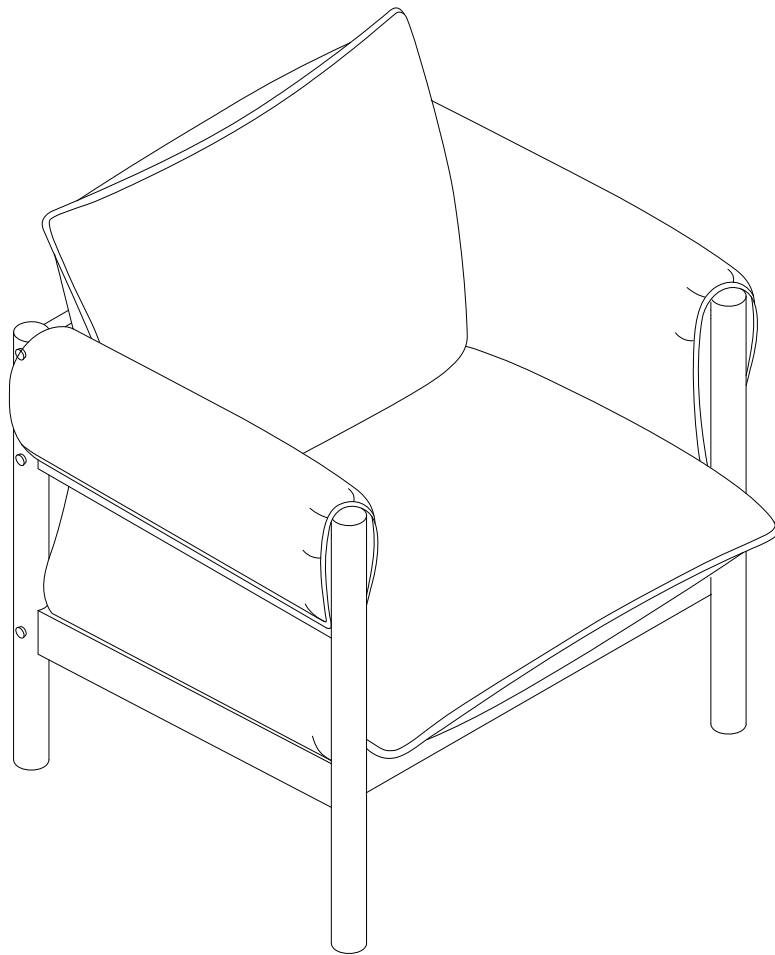


Assembly Manual

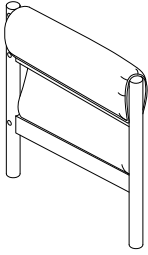
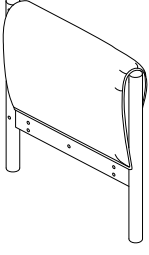
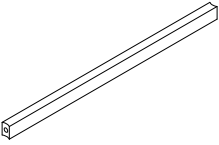
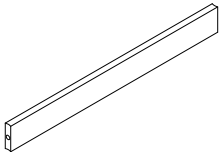
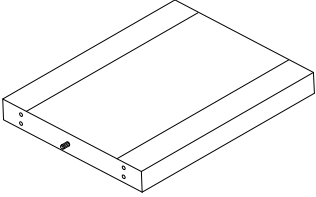
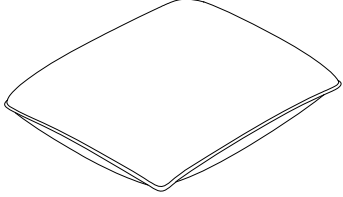
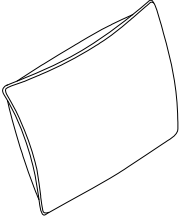
Accent Chair with Cushion Arms



CAUTION

THIS ASSEMBLY MANUAL CONTAINS IMPORTANT SAFETY INFORMATION.
PLEASE READ AND KEEP FOR FUTURE REFERENCE.

Part list

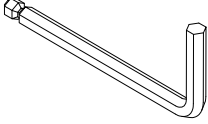
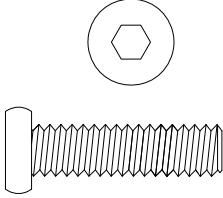
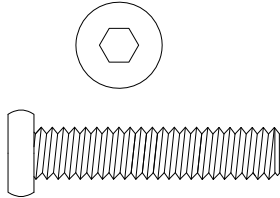
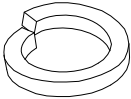
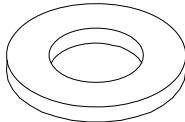
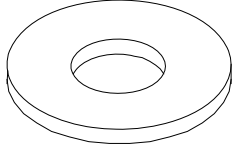
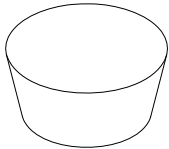
<p>A x 1</p>  <p>Left side frame</p>	<p>B x 1</p>  <p>Right side frame</p>	<p>C x 2</p>  <p>Top stretcher</p>
<p>D x 1</p>  <p>Bottom stretcher</p>	<p>E x 1</p>  <p>Seat frame</p>	<p>F x 1</p>  <p>Seat cushion</p>
<p>G x 1</p>  <p>Back cushion</p>		

Thank you for purchasing our **SOFA**

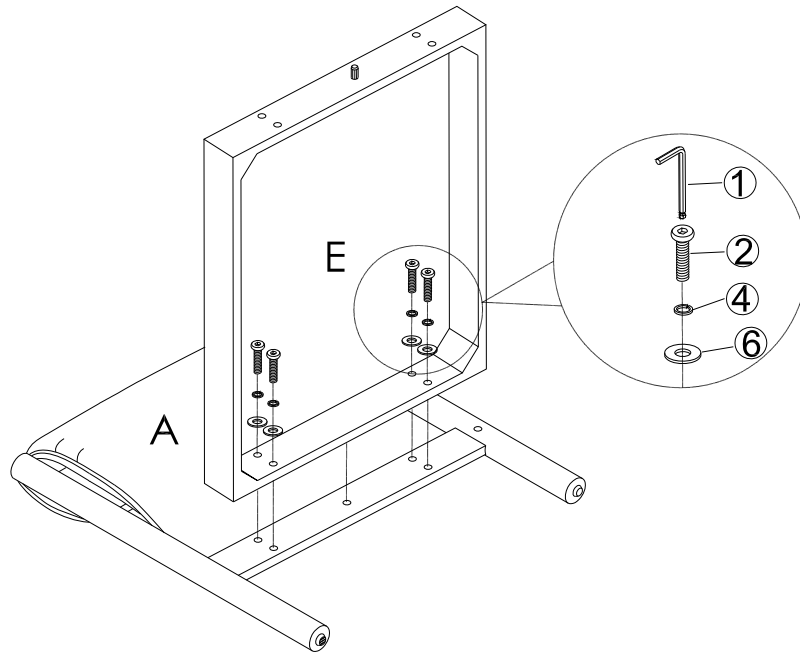
Before you start, here are some helpful advice:

1. We suggest you spend a short time reading through this leaflet and then follow the simple step-by-step instructions.
2. Owing to the size and weight of the sofa, we recommend that it is assembled by two adults, on a carpeted or padded area, in the room that it is intended for. Approximate assembly time: 20 minutes.
3. Please do not use any tools other than those provided or recommended in these instructions.
4. Please do not throw away any of the packaging or the instruction until you have checked all the components and hardware and the furniture is fully assembled. Please ensure that the packaging is disposed of in a safe and environmentally friendly way.
5. Assemble all components loosely until advised to tighten. Depending on use, it may be necessary to tighten the components from time to time, so please save the tools that have been provided.
6. Please keep all pieces out of reach of children.
7. If you have any questions about the product: please send an email to our dedicated customer service email, and we will reply to your questions within 12 hours.

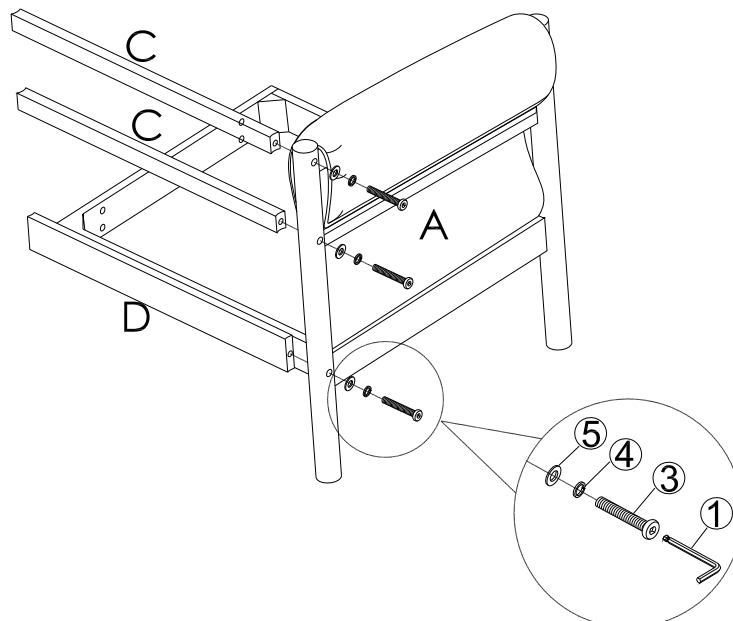
Hardware list

<p>①x 1</p>  <p>Allen wrench</p>	<p>②x 8</p>  <p>Short bolt</p>	<p>③x 6</p>  <p>Long bolt</p>
<p>④x 14</p>  <p>Spring washer</p>	<p>⑤x 6</p>  <p>Small flat washer</p>	<p>⑥x 8</p>  <p>larger flat washer</p>
<p>⑦x 6</p>  <p>wood plug</p>		

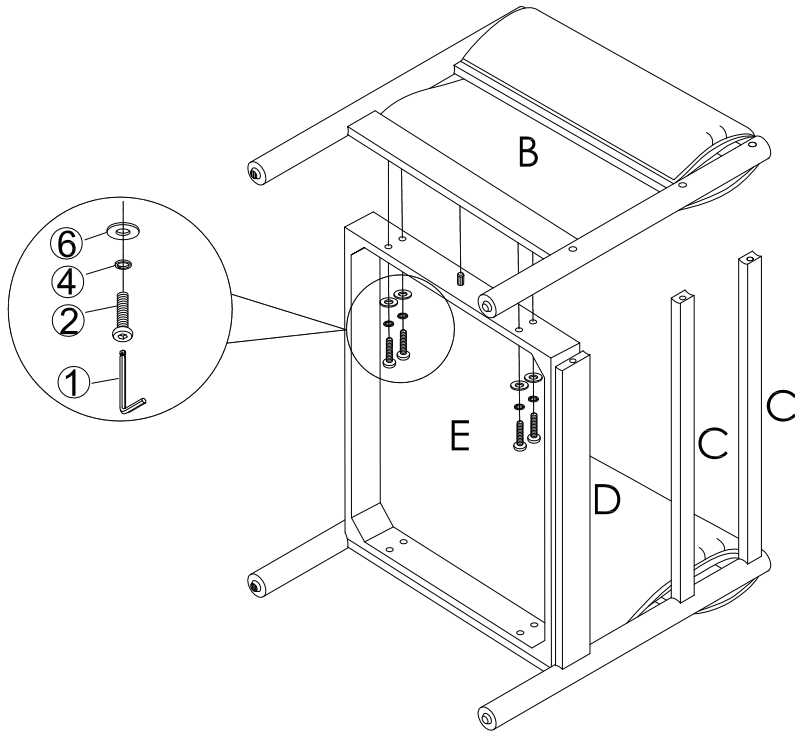
- 1** Place items on a clean padded surface like a blanket for assembly
Attach Seat Frame (E) to Left Side Frame (A) with Bolts ②, Spring Washers ④ and Flat Washers ⑥.
Please do not completely tighten each bolt until assembly is complete.



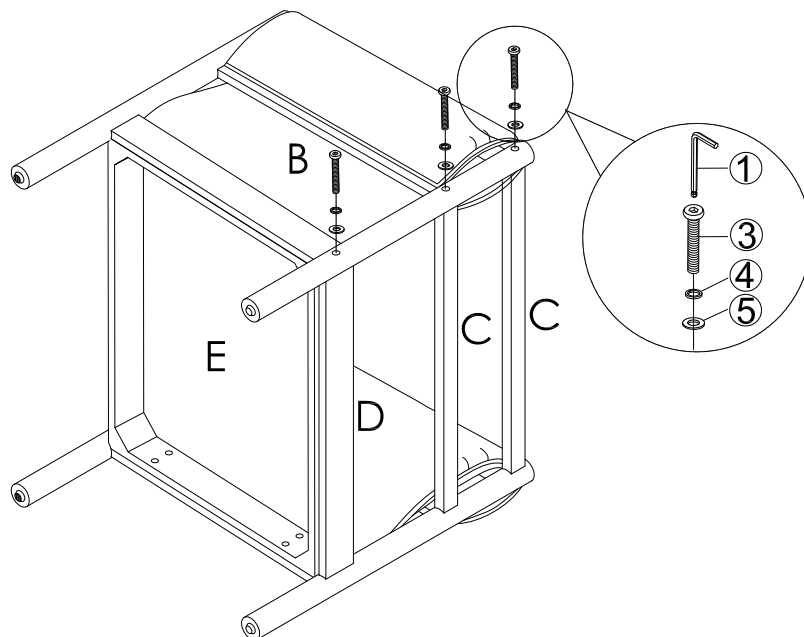
- 2** Attach Seat frame (E) to Left Side Frame (A) with Bolts ③ with Spring Washer ④ and Flat Washer ⑤.
Please do not completely tighten each bolt until assembly is complete.



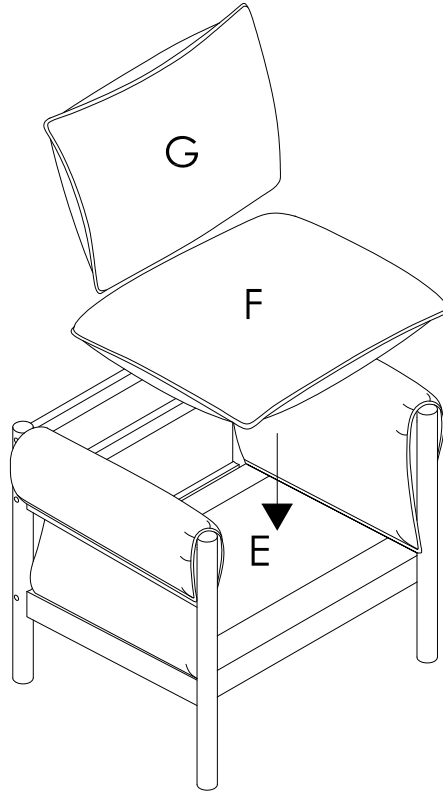
- 3** Attach Seat frame (E) to Right Side Frame (B) with Bolts ②, Spring Washers ④ and Flat Washers ⑥.
Please do not completely tighten each bolt until assembly is complete.



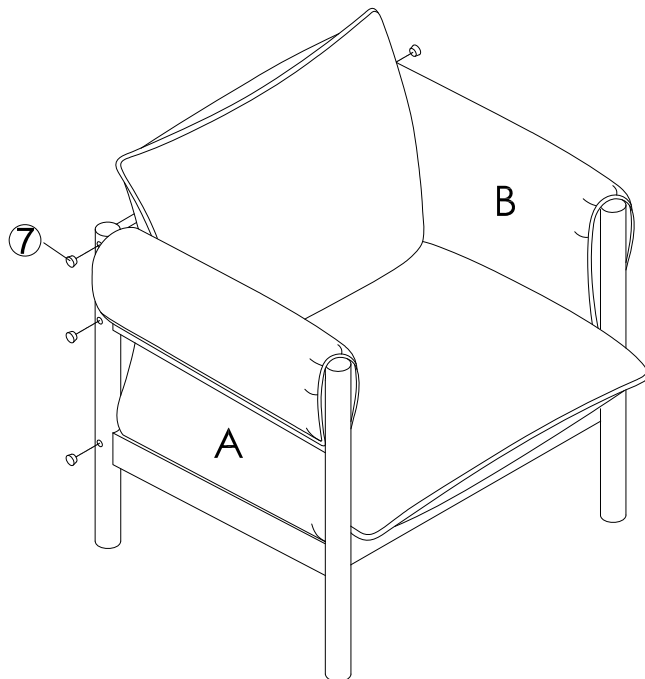
- 4** Attach Right Side Frame (B) to top Stretcher (C) and seat frame (D) with bolts ③, Spring Washers ④ and Flat Washers ⑤.
Tighten all bolts by Allen Wrench (H1).



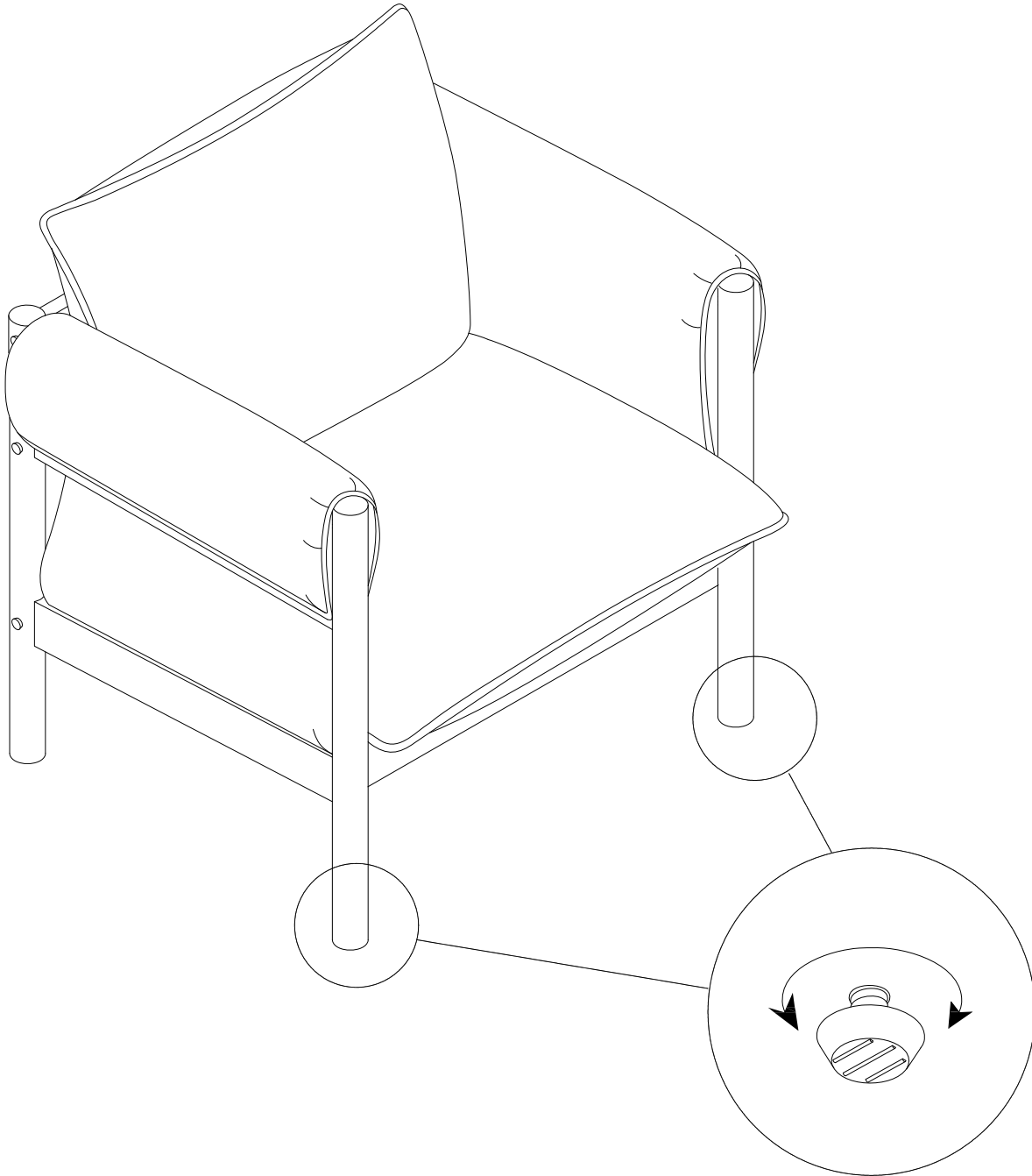
- 5** Place Seat Cushion (F) and Back Cushion (G) on the Seat Frame (E) as shown.



- 6** Using Wood Plug **7** to cover the hole in Side Frame (A&B).



- 7** Adjustable leveler at front legs, please adjust if floor is uneven.



Cleaning & Care

Treat surface with care. Surface is resistant to scratches but is not scratch resistant. Clean surfaces with a dry or damp soft cloth. Do not use abrasive cleaners. Hardware may loosen over time. Periodically check that all connections are tight.