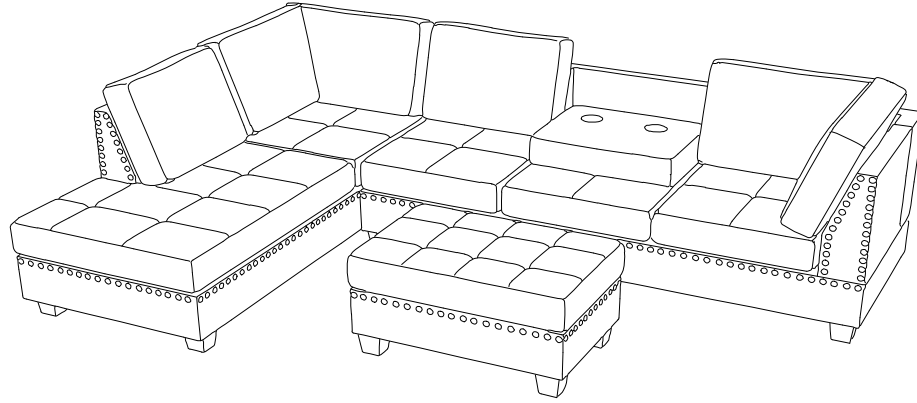


# ASSEMBLY INSTRUCTION

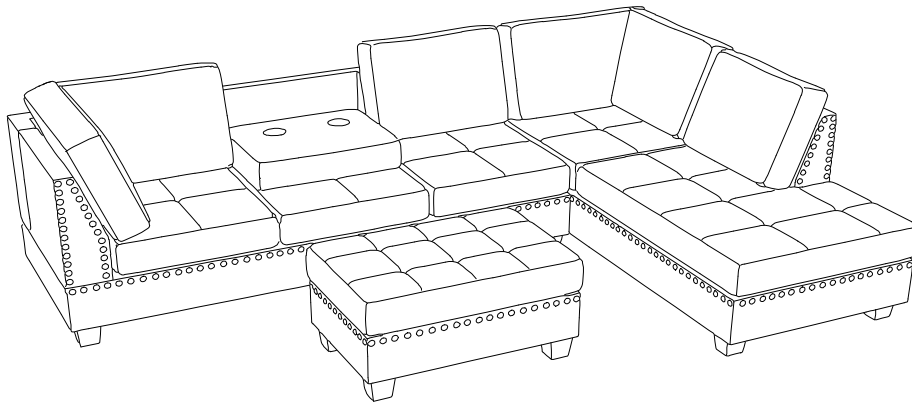
ITEM: WF298003 - STORAGE OTTOMAN  
WF298001- CHAISE  
WF298002 - SOFA

Please choose the CHAISE will be on the LEFT or RIGHT hand side

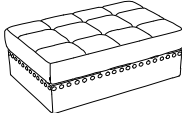

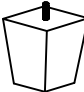

**CHAISE ON LEFT**



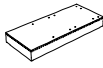






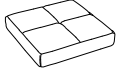


**CHAISE ON RIGHT**



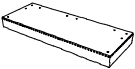












## WF298003 - COMPONENT LIST

NO.	DRAWING	QTY	DESCRIPTION
O		1	STORAGE OTTOMAN
C		1	SOFA BACK CORNER
H8		4	PLASTIC LEGS
F		1	SOFA MIDDLE BACK CUSHION

**WF298001 - COMPONENT LIST**

NO.	DRAWING	QTY	DESCRIPTION
B		1	CHAISE FRAME
G		1	CHAISE BACK REST
H		1	CHAISE MIDDLE BACK REST
I		1	CHAISE RSF BACK REST
J		1	SLANTED BACK CUSHION
P		1	CHAISE REAR BACK CUSHION
K		1	SQUARE BACK CUSHION
N		1	CHAISE REAR SEAT CUSHION
M		1	CHAISE FRONT SEAT CUSHION
H8		4	PLASTIC LEGS

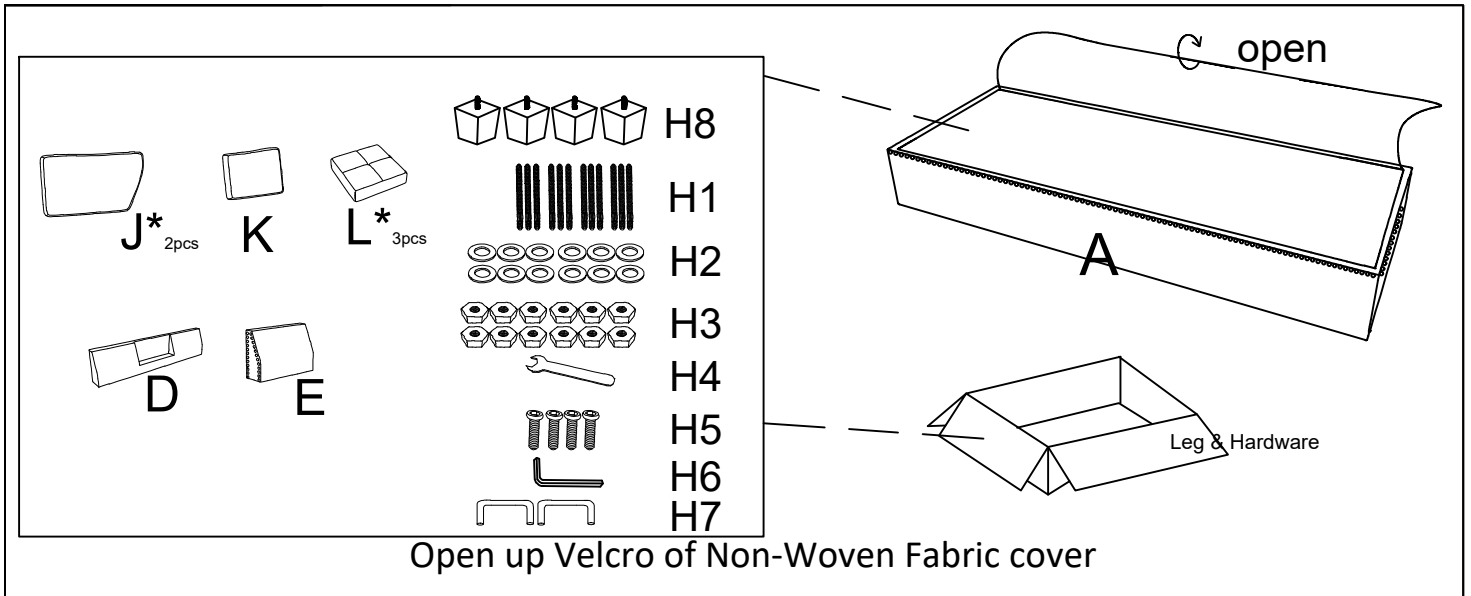
**WF298002 - COMPONENT LIST**

NO.	DRAWING	QTY	DESCRIPTION
A		1	SOFA FRAME
D		1	SOFA BACK REST
E		1	SOFA REAR BACK REST
J		2	SLANTED BACK CUSHION
K		1	SQUARE BACK CUSHION
L		3	SOFA SEAT CUSHION
H8		4	PLASTIC LEGS
H1		12	BOLT $\phi_{\frac{5}{16}}$ x 90MM
H2		12	PLAT WASHER $\phi_{\frac{5}{16}}$ x 22MM
H3		12	NUT $\phi_{\frac{5}{16}}$ x 12MM
H4		1	OPEN WRENCH
H5		4	NUT $\phi_{\frac{1}{4}}$ x 25MM
H6		1	ALLEN KEY
H7		2	METAL CONNECTOR

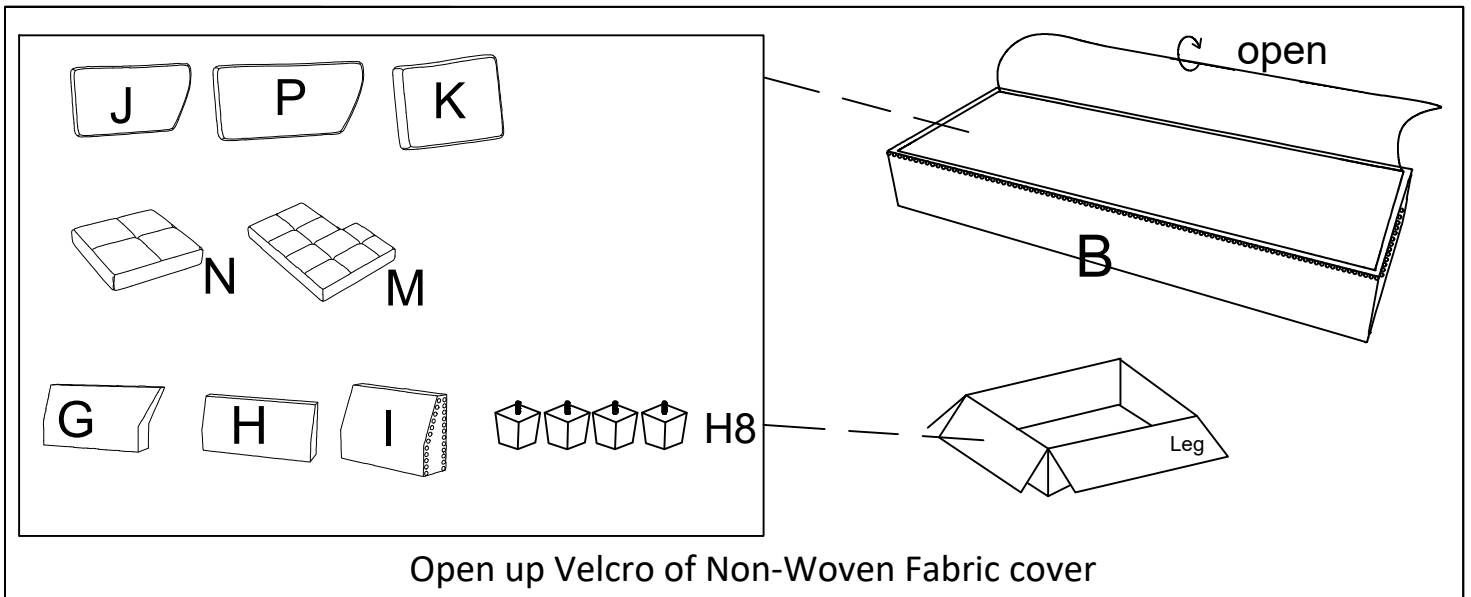
Please follow the drawings below to assemble the item.

Legs and hardware are stored in small carton box as shown in drawings, please take out for assembly.

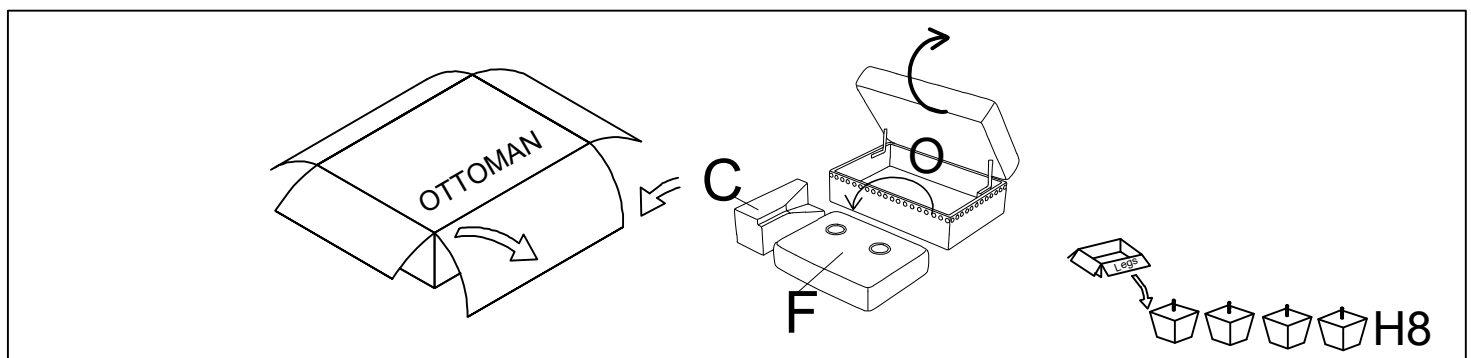
### PARTS LIST OF WF298002 BOX



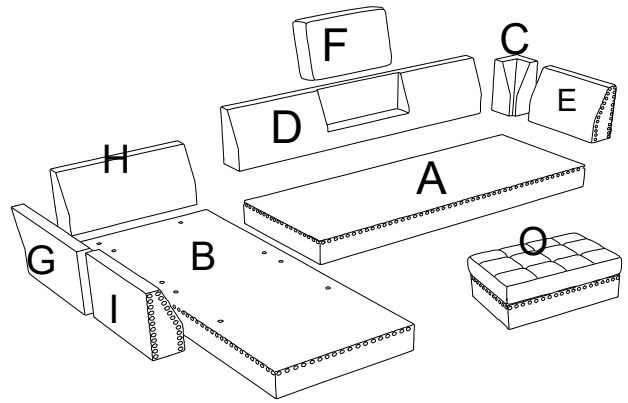
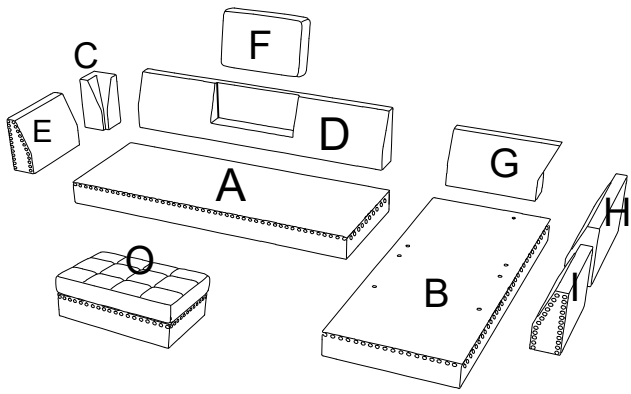
### PARTS LIST OF WF298001 BOX



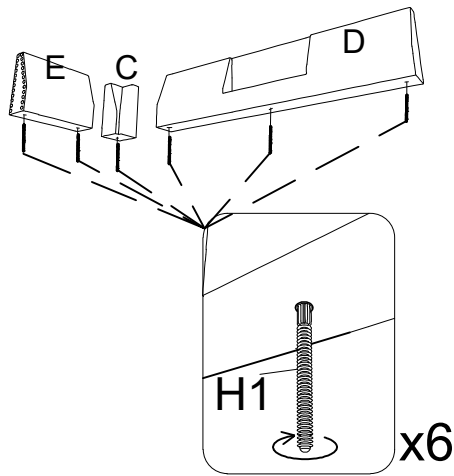
### PARTS LIST OF WF298003 BOX



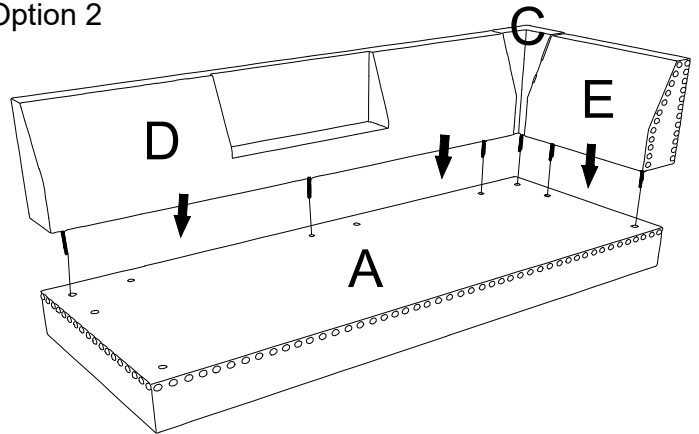
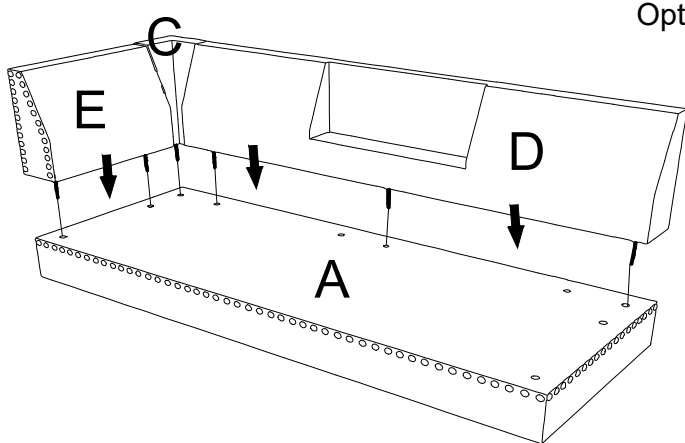
PLEASE CHOOSE OPTION 1 OR 2 FIRST BEFORE ASSEMBLY



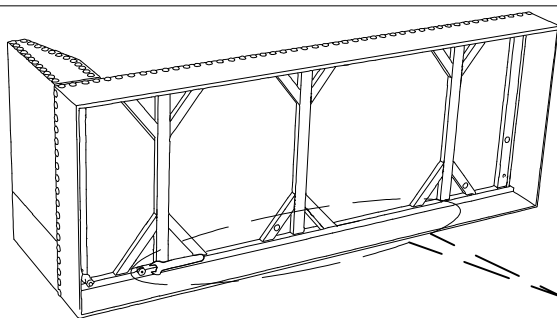
STEP 1



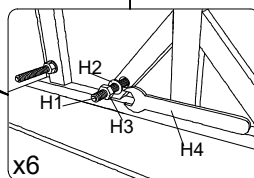
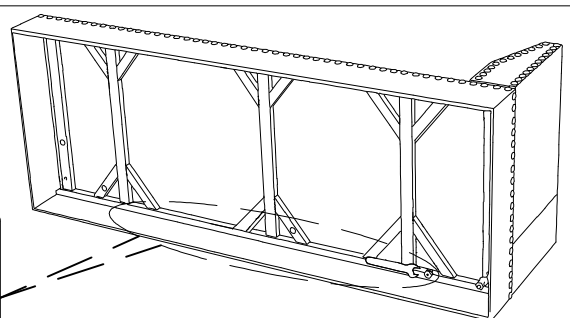
STEP 2



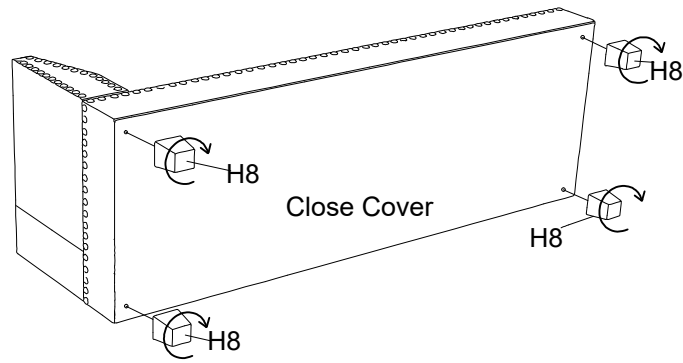
STEP 3



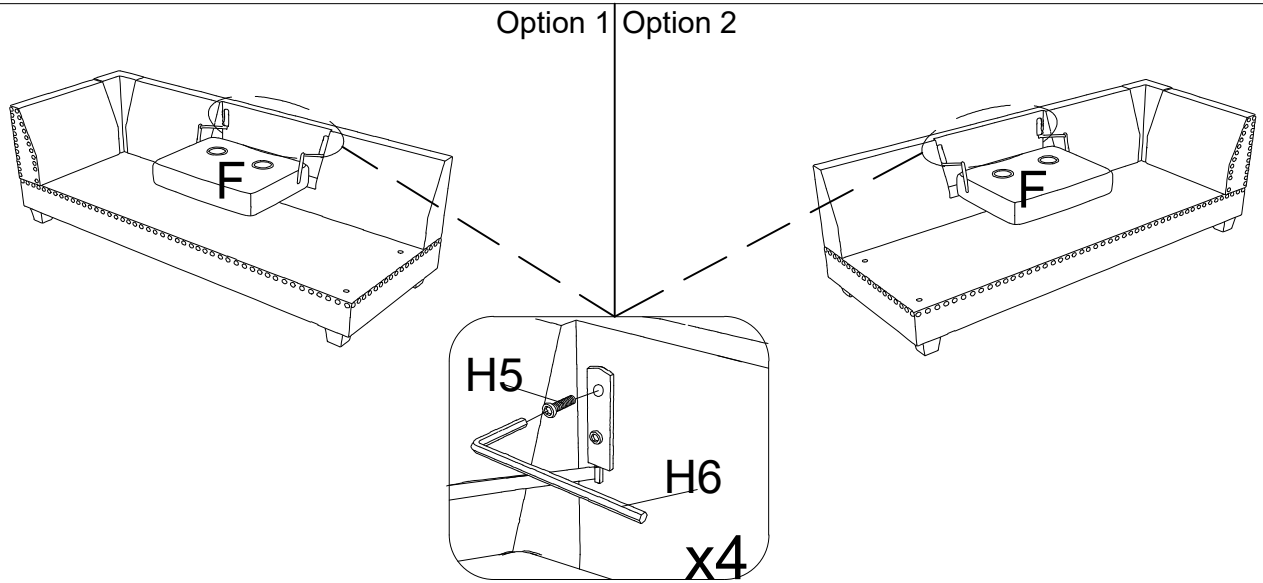
Option 2



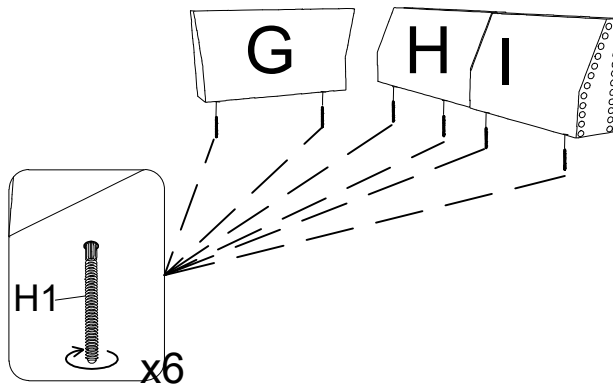
STEP 4



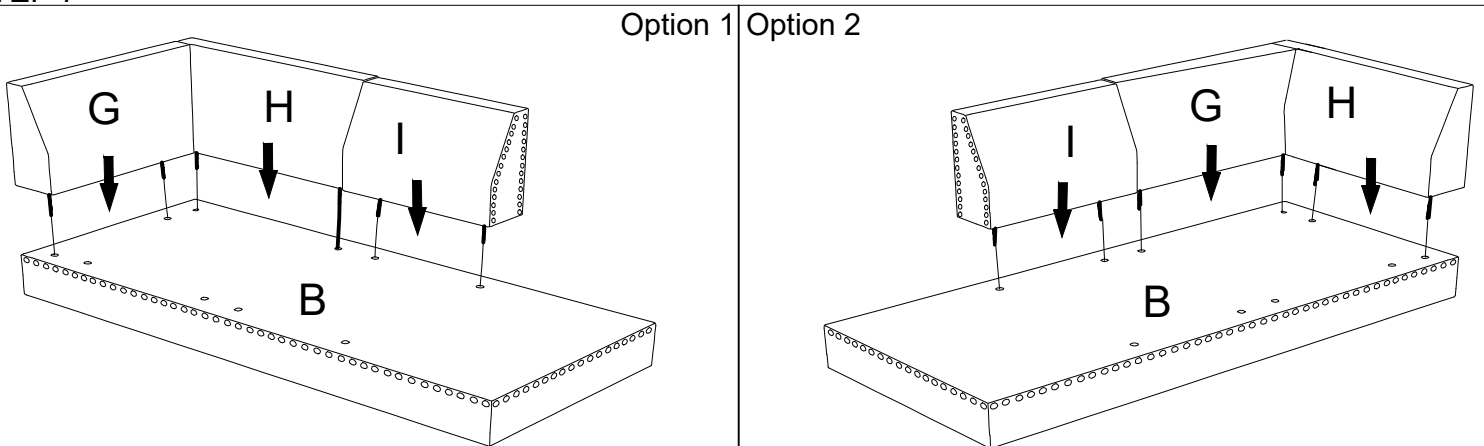
STEP 5



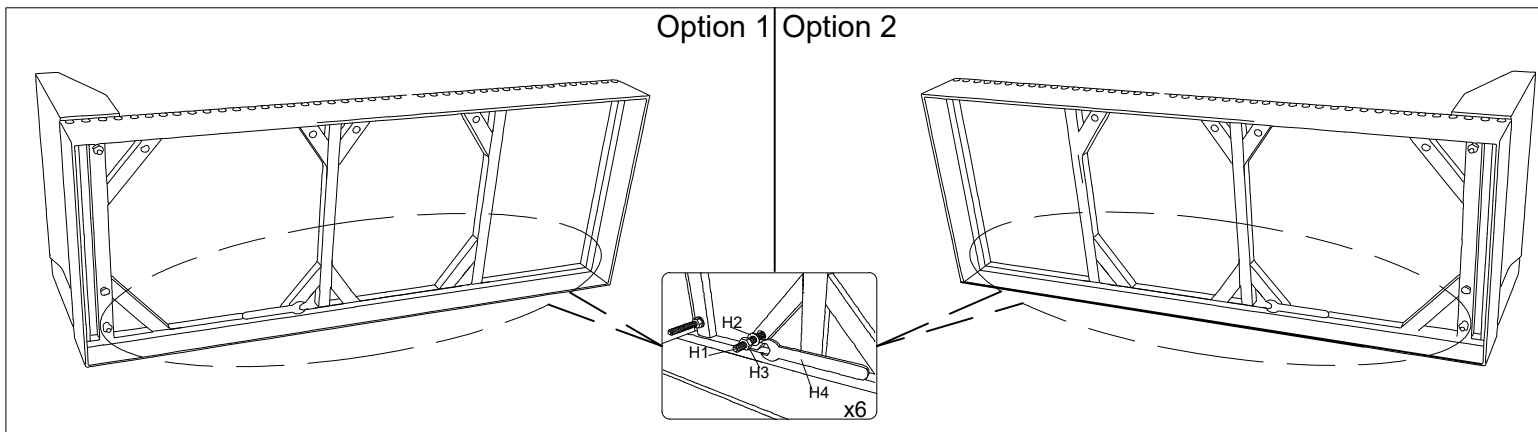
STEP 6



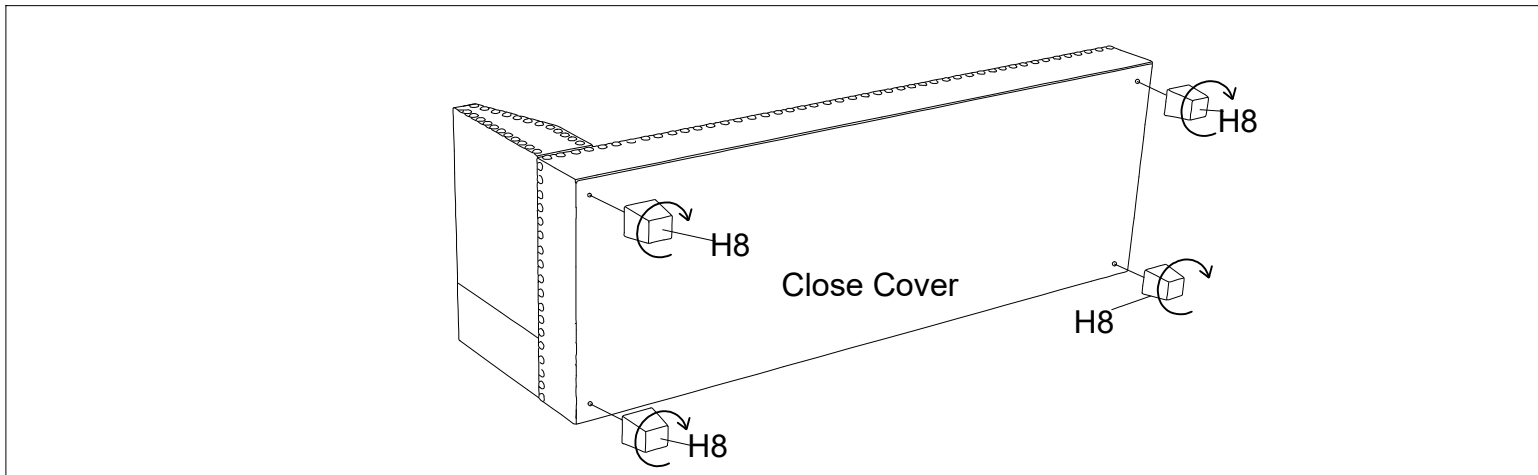
STEP 7



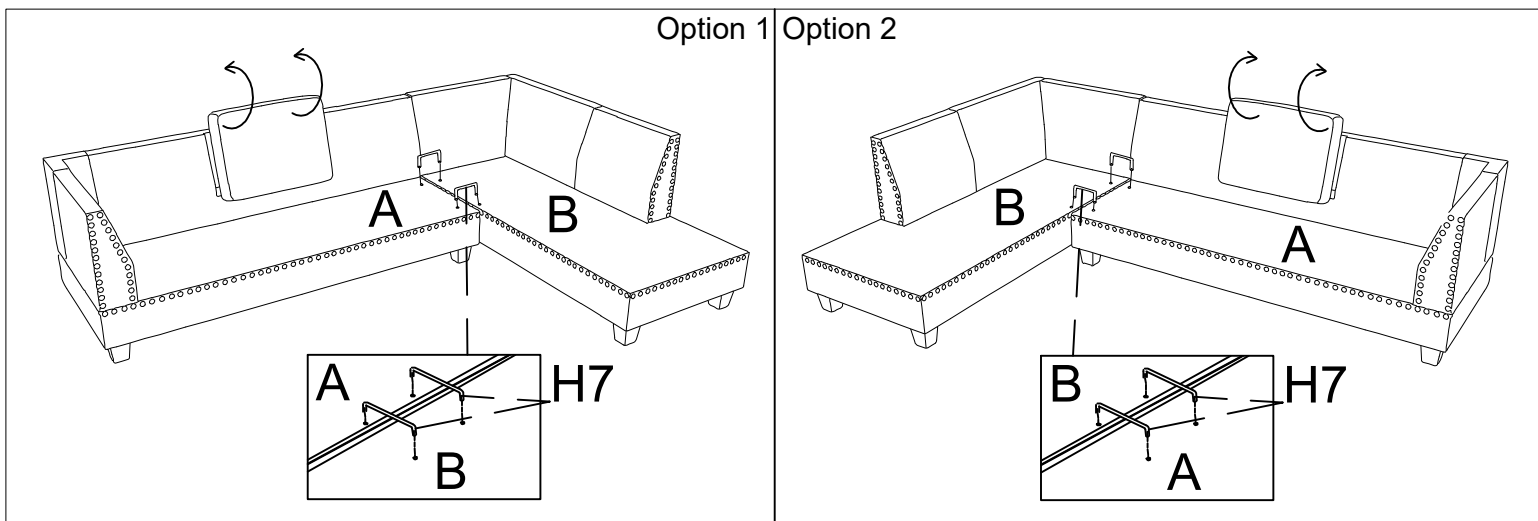
STEP 8



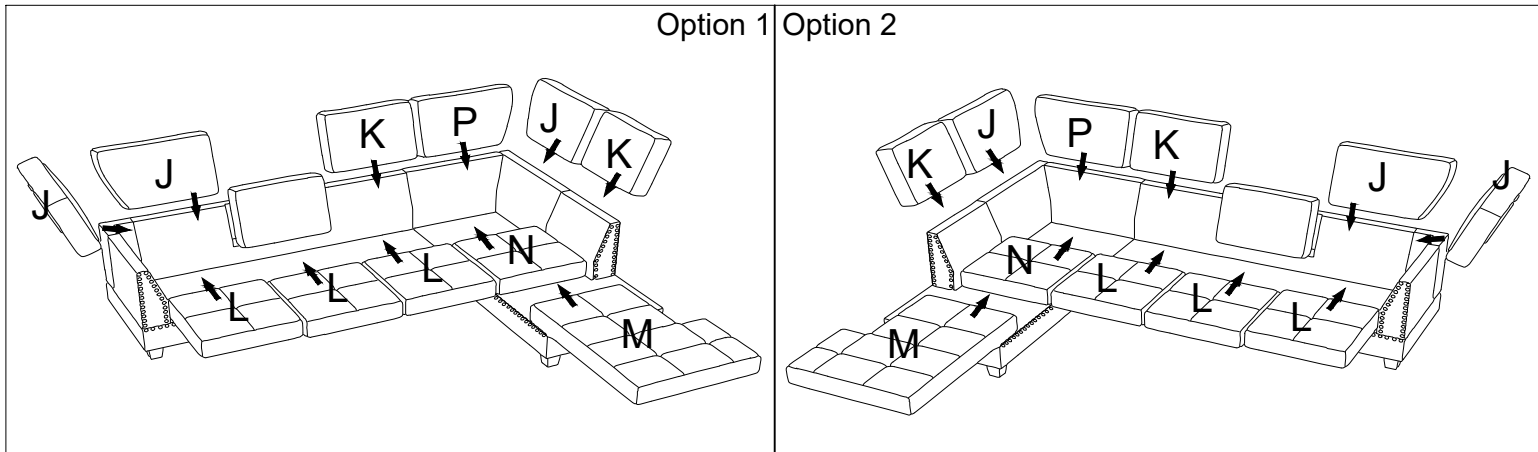
STEP 9

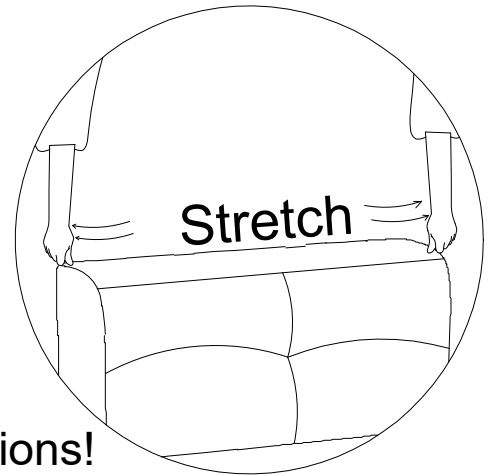
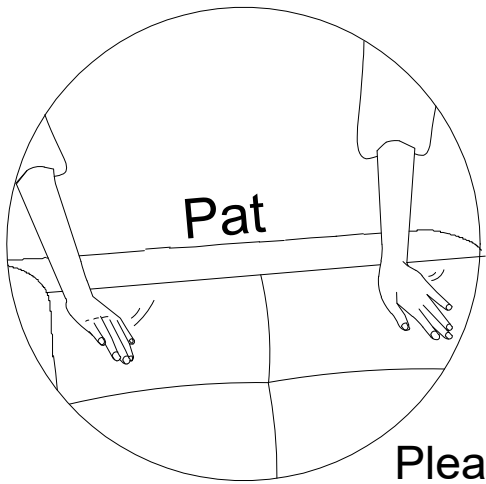


STEP 10



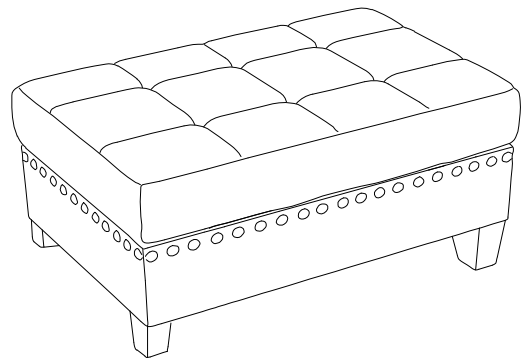
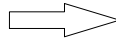
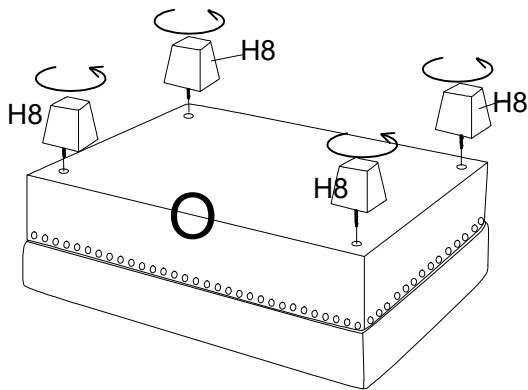
STEP 11





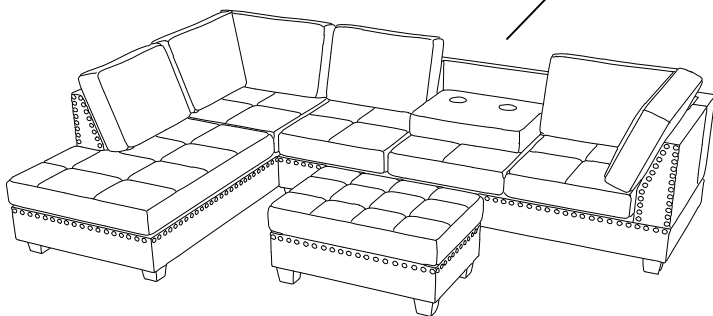
Please apply for cushions!

STEP 12

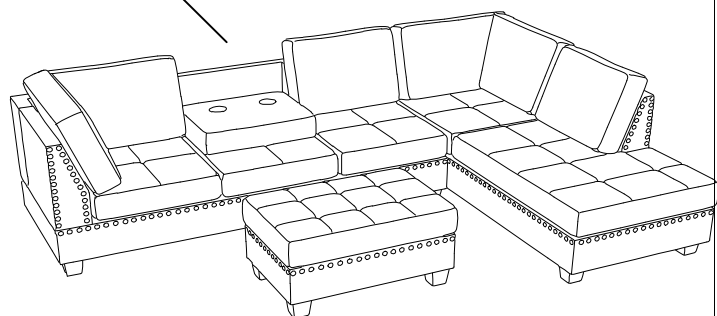


Assembly Completed!

THE CONSOLE PIECE CAN BE DROPPED DOWN AND TURN INTO AN ARMREST PANEL WITH CUP HOLDERS



CHAISE ON LEFT



CHAISE ON RIGHT