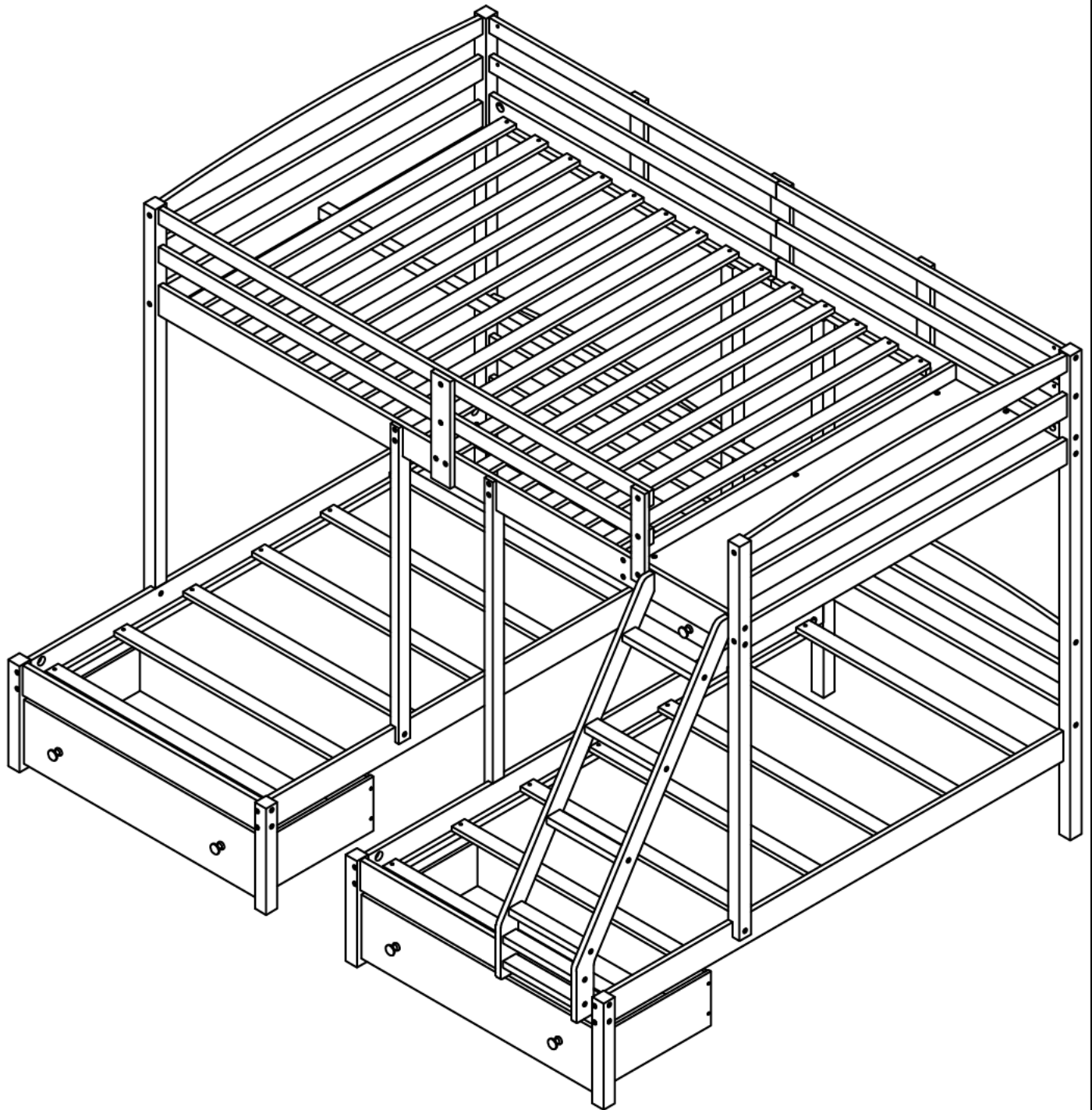


## ASSEMBLY INSTRUCTION

**This set is included 3 boxes if don't receive full 3 boxes please contact our customer service team**



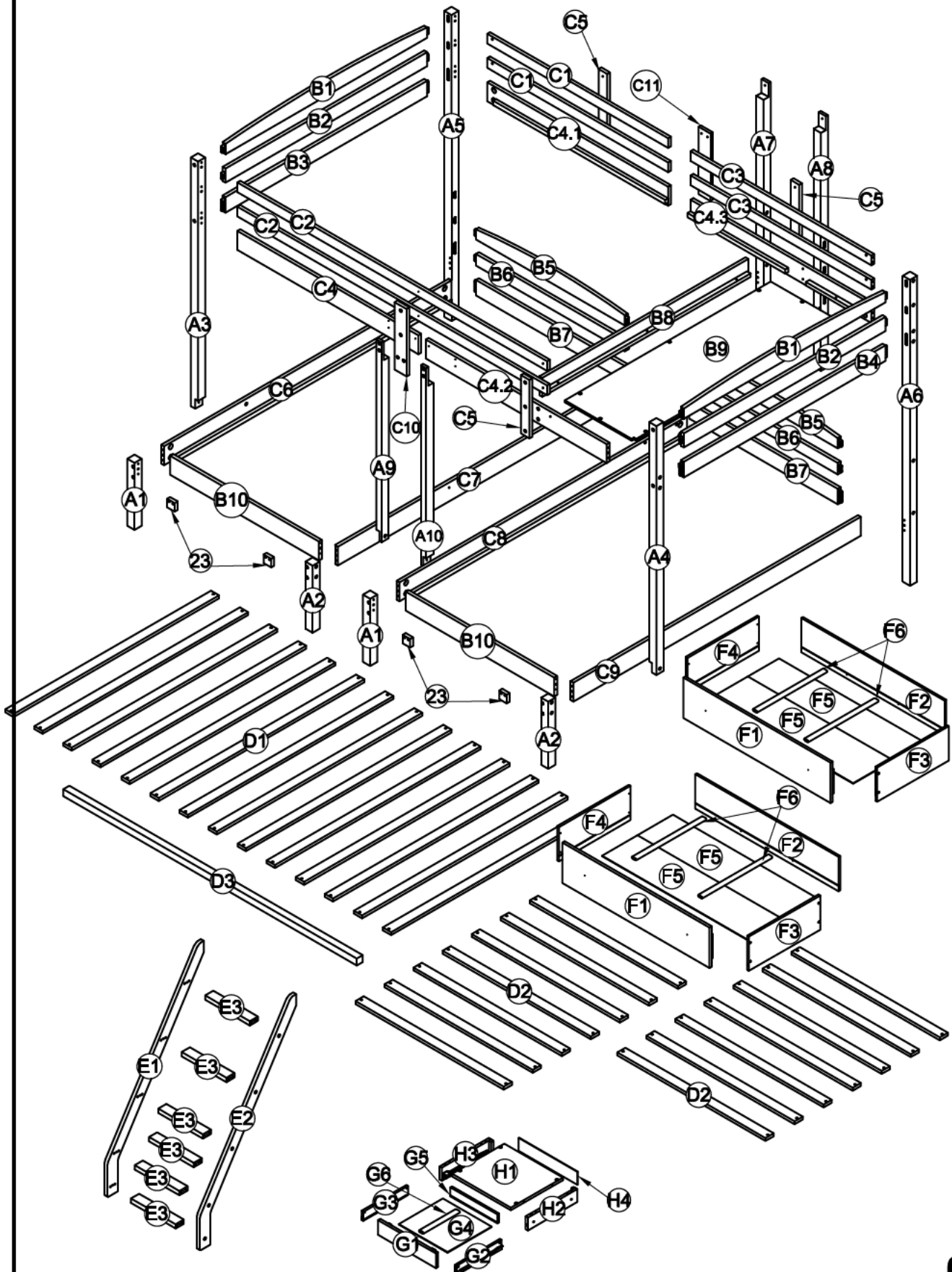
# **! SAFETY WARNINGS !**

1. This bed is designed for use only mattress(es) meeting the following specifications on the upper bunk, and lower bunk:







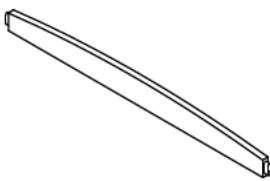


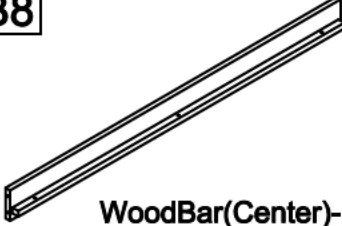
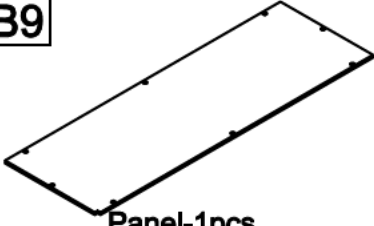


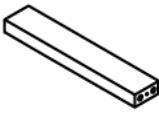
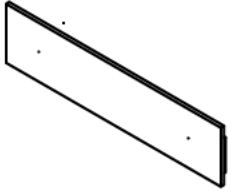


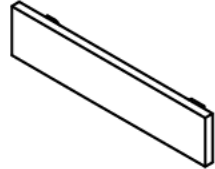
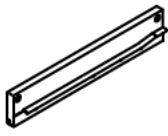

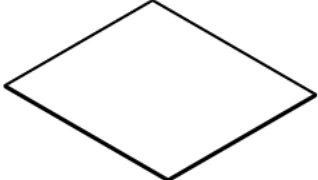
<b>Bed Type</b>	<b>Length</b>	<b>Width</b>	<b>Thickness</b>
<i>Twin Standard</i>	<i>74" - 75"</i>	<i>38 1/2"</i>	<i>8" max</i>
<i>Full Standard</i>	<i>74" - 75"</i>	<i>53 1/2 "</i>	<i>8" max</i>

2. Replacement parts, including additional guardrails, may be obtained from any of our dealers
3. Follow the information on the warnings appearing on the upper bunk bed end structure and on the carton. Do not remove warning label from bed.
4. Always use the recommended size mattresses or mattress supports, or both, to help prevent the likelihood of entrapment or falls.
5. Surface of the mattress must be at least 5"(127 mm) below the upper edge of guardrails.
6. Do not allow children under 6 years of age to use the upper bunk.
7. Periodically check and ensure that the guardrail, ladder, and other components are in their proper position, free from damage, and that all connectors are tight.
8. Do not allow horseplay on or under the bed and prohibit jumping on the bed
9. Always use the ladder for entering and leaving the upper bunk.
10. Do not use substitute parts. Contact the manufacturer or dealer for replacement parts.
11. Use of a night light may provided added safety precaution for a child using the upper bunk.
12. Always use guardrails on both long sides of the upper bunk. If the bunk bed will be placed next to the wall, the guardrail that runs the full length of the bed should be placed against the wall to prevent entrapment between the bed and wall.
13. The use of water or sleep flotation mattresses is prohibited.
14. **STRANGULATION HAZARD** – Never attach or hang items to any part of the bunk bed that are not designed for use with the bed; for example, but not limited to, hook, belts and jump ropes.
15. Keep these Instructions for future reference



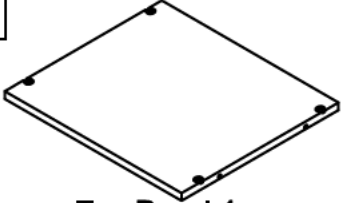
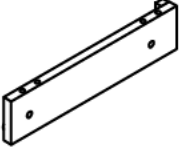
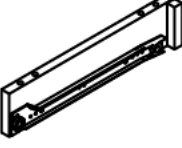
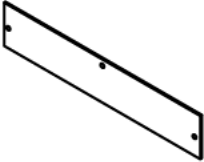
# ASSEMBLY INSTRUCTION











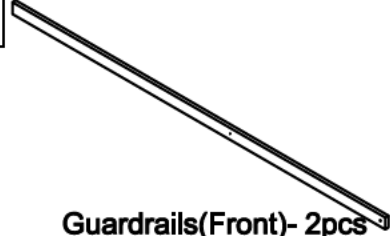

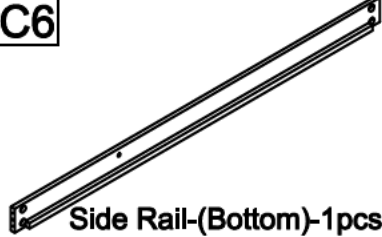
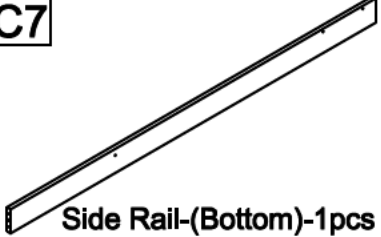
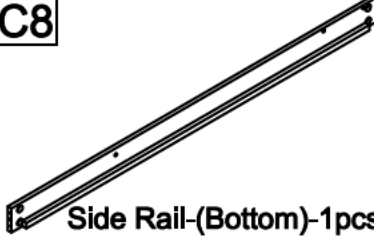
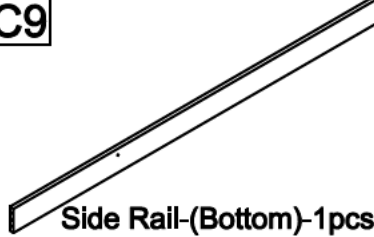


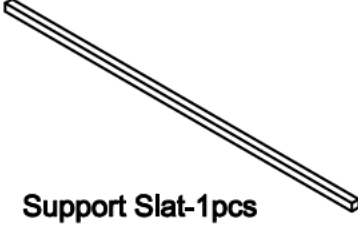


# Part List

<b>A9</b>  Leg-1pcs	<b>A10</b>  Leg-1pcs	<b>B1</b>  WoodBar-2pcs
<b>B2</b>  WoodBar-2pcs	<b>B3</b>  WoodBar-1pcs	<b>B4</b>  WoodBar-1pcs
<b>B5</b>  WoodBar(Back)-2pcs	<b>B6</b>  WoodBar(Back)-2pcs	<b>B7</b>  WoodBar(Back)-2pcs
<b>B8</b>  WoodBar(Center)-1pcs	<b>B9</b>  Panel-1pcs	<b>B10</b>  WoodBar-2pcs
<b>D1</b>  Slats-(Bottom)-14pcs	<b>E3</b>  Step Ladder-6pcs	<b>F1</b>  Drawer-Front Panel-2pcs
<b>F5</b>  Drawer-Bottom Panel-4pcs	<b>F6</b>  Drawer-Support Bottom Panel-4pcs	<b>G1</b>  Drawer-Front Panel(Small)-1pcs
<b>G2</b>  Drawer-Side Panel(Small)-1pcs	<b>G3</b>  Drawer-Side Panel(Small)-1pcs	<b>G4</b>  Drawer-Bottom Panel(Small)-1pcs

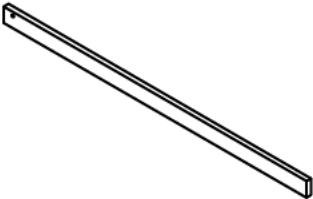
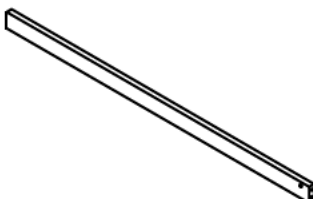
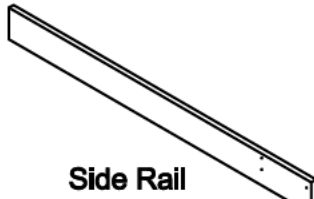
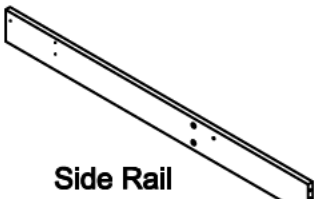
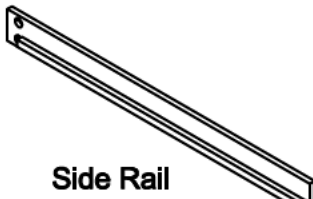
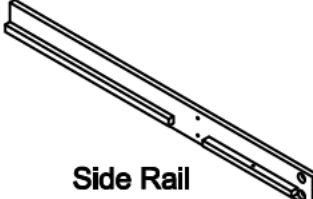


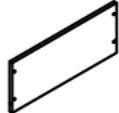
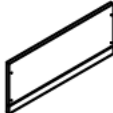
# Part List

<b>G5</b>  Drawer-Back Panel(Small)-1pcs	<b>G6</b>  Drawer-Support Bottom Panel-1pcs	<b>H1</b>  Top Panel-1pcs
<b>H2</b>  Side Panel-1pcs	<b>H3</b>  Side Panel-1pcs	<b>H4</b>  Back Panel-1pcs


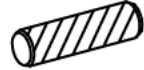


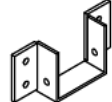










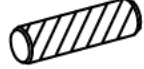




# Part List

<p><b>A1</b></p>  <p>Legs-2pcs</p>	<p><b>A2</b></p>  <p>Legs-2pcs</p>	<p><b>A3</b></p>  <p>Leg-1pcs</p>
<p><b>A4</b></p>  <p>Leg-1pcs</p>	<p><b>A5</b></p>  <p>Leg-1pcs</p>	<p><b>A6</b></p>  <p>Leg-1pcs</p>
<p><b>A7</b></p>  <p>Leg-1pcs</p>	<p><b>A8</b></p>  <p>Leg-1pcs</p>	<p><b>C2</b></p>  <p>Guardrails(Front)- 2pcs</p>
<p><b>C5</b></p>  <p>Rail-3pcs</p>	<p><b>C6</b></p>  <p>Side Rail-(Bottom)-1pcs</p>	<p><b>C7</b></p>  <p>Side Rail-(Bottom)-1pcs</p>
<p><b>C8</b></p>  <p>Side Rail-(Bottom)-1pcs</p>	<p><b>C9</b></p>  <p>Side Rail-(Bottom)-1pcs</p>	<p><b>C10</b></p>  <p>Rail-1pc</p>
<p><b>C11</b></p>  <p>Rail-1pc</p>	<p><b>D3</b></p>  <p>Support Slat-1pcs</p>	<p><b>E1</b></p>  <p>Side Ladder-1pcs</p>
<p><b>E2</b></p>  <p>Side Ladder-1pcs</p>		

# Part List & Hardwar List

<p><b>C1</b></p>  <p>Guardrails(Back)- 2pcs</p>	<p><b>C3</b></p>  <p>Guardrails(Back)- 2pcs</p>	<p><b>C4</b></p>  <p>Side Rail (Front-Upper) 1pcs</p>
<p><b>C4.2</b></p>  <p>Side Rail (Front-Upper) 1pcs</p>	<p><b>C4.1</b></p>  <p>Side Rail (Back-Upper) 1pcs</p>	<p><b>C4.3</b></p>  <p>Side Rail (Back-Upper) 1pcs</p>
<p><b>D2</b></p>  <p>Slats-(Bottom)-14pcs</p>	<p><b>F2</b></p>  <p>Drawer-Back Panel-2pcs</p>	<p><b>F3</b></p>  <p>Drawer-Side Panel-2pcs</p>
<p><b>F4</b></p>  <p>Drawer-Side Panel-2pcs</p>		

# Hardware List(

<p><b>1</b></p>  <p>M4 x 30 mm Wood Screws 89pcs</p>	<p><b>2</b></p>  <p>Ø10 x 40 mm Wood dowel 46pcs</p>	<p><b>3</b></p>  <p>Screws 1/4" x80 8pcs</p>
<p><b>4</b></p>  <p>Screws 1/4" x70 16pcs</p>	<p><b>5</b></p>  <p>Steel Bracket 2pc</p>	<p><b>6</b></p>  <p>M4 x 20 mm Wood Screws 20pcs</p>
<p><b>7</b></p>  <p>Ø1/4" x 100 mm Hex-Head bolts 30pcs</p>	<p><b>8</b></p>  <p>Screws 1/4" x30 22pcs</p>	<p><b>9</b></p>  <p>Ø1/4" x 35 mm Hex-Head bolts 2pcs</p>
<p><b>10</b></p>  <p>Ø1/4" x 15 mm Canopy head though -7cs</p>	<p><b>11</b></p>  <p>Ø1/4" x 25 mm Hex-Head bolts 13pcs</p>	<p><b>12</b></p>  <p>Ø1/4" x 13 mm Horizontal-Hole bolts 38pcs</p>
<p><b>13</b></p>  <p>Screws 1/4" x50 16pcs</p>	<p><b>14</b></p>  <p>Steel Bracket 4pc</p>	<p><b>15</b></p>  <p>Ø1/4" x 60 mm(Đầu 12) Hex-Head bolts 8pcs</p>
<p><b>16</b></p>  <p>Ø8 x 30 mm Wood dowel 4pcs</p>	<p><b>17</b></p>  <p>M4 x 15 mm Wood Screws 3pcs</p>	<p><b>18</b></p>  <p>Ø1/6" x 25 mm Hex-Head bolts 5pcs</p>
<p><b>19</b></p>  <p>Handle Wood 5pcs</p>	<p><b>20</b></p>  <p>Allen Key 1pc</p>	

# Hardware List

21



M3.5x 12 mm  
Wood Screws 24pcs

22

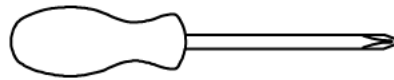


Wheels 8pcs

23



Stop Drawer-4pcs







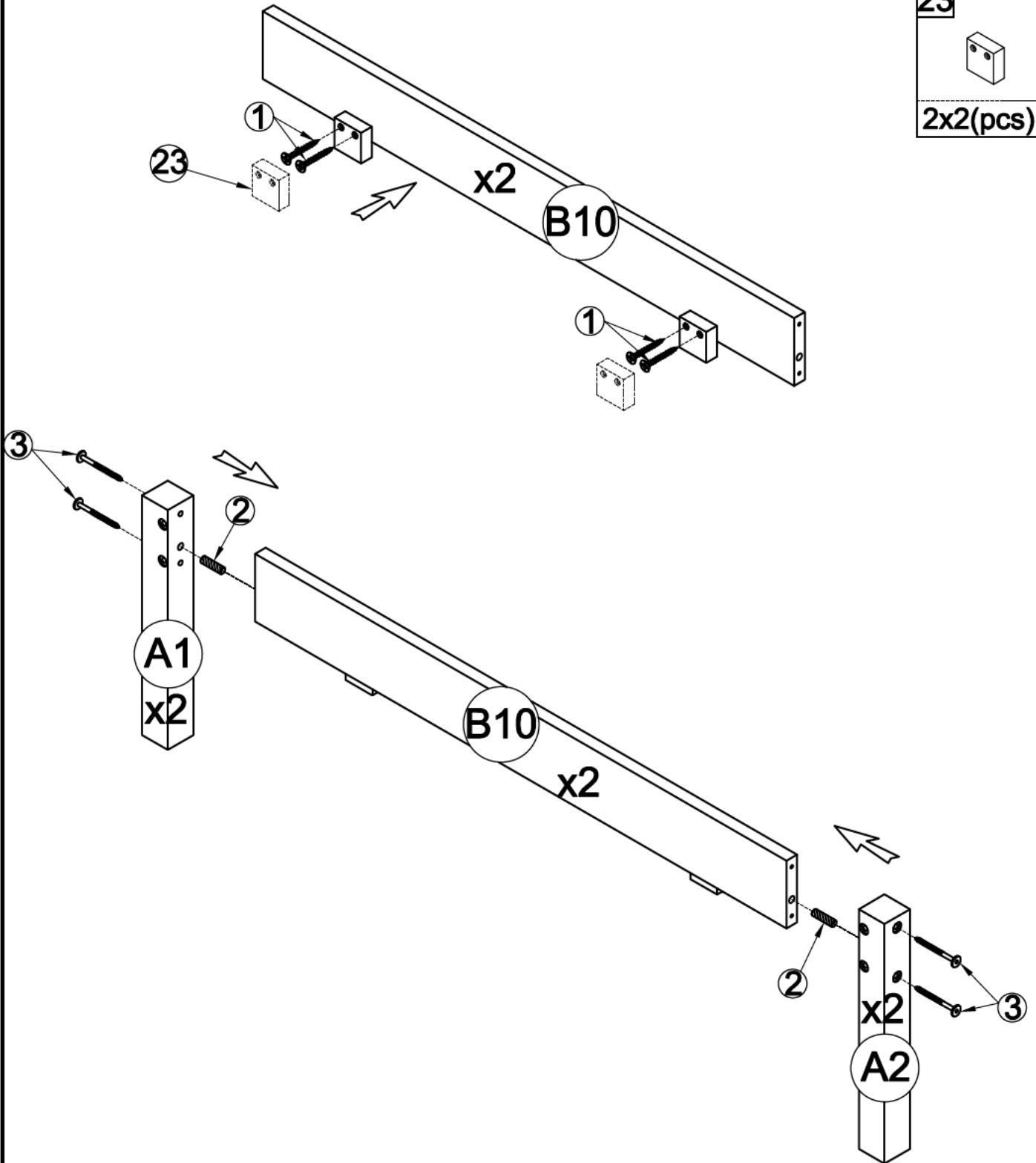
**Assembly Tools Required (Not Included)**

# STEP1: Following below illustration Assembly Bottom bed's Footboard .

-Using hardware #1 connect B10 Woodbar with Stop Drawer #23

-Using hardware #3 and dowel #2 connect A1(x2) ,A2(x2) legs with B10 Woodbar

3	2	1
		
4x2(pcs)	2x2(pcs)	4x2(pcs)
		23
		
		2x2(pcs)



# STEP 2: Following below Illustration Assembly Bottom bed's Headboard .

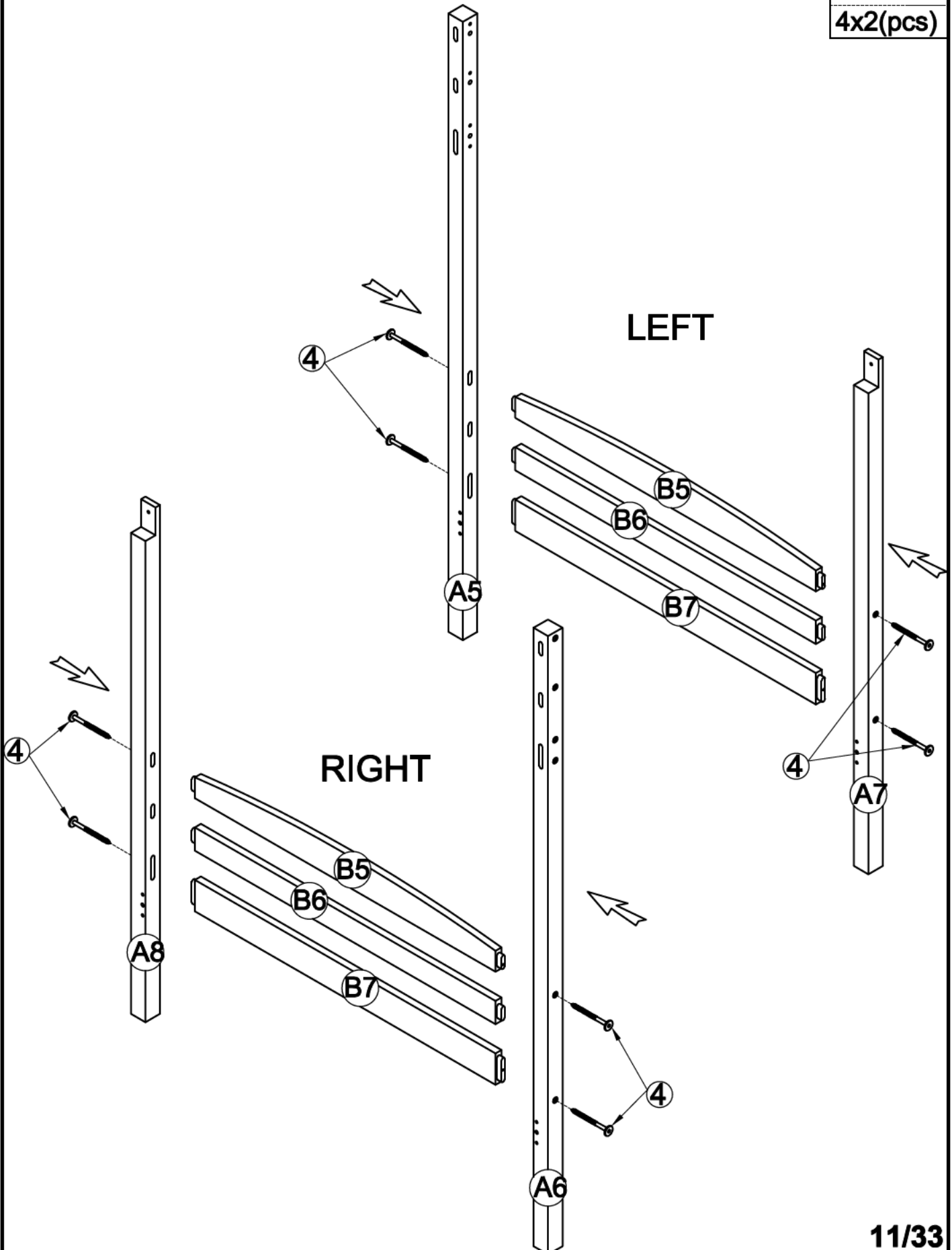
-Using hardware #4 connect B5,B6,B7 Woodbar with A5,A7 Legs

-Using hardware #4 connect B5,B6,B7 Woodbar with A6,A8 Legs

4





4x2(pcs)

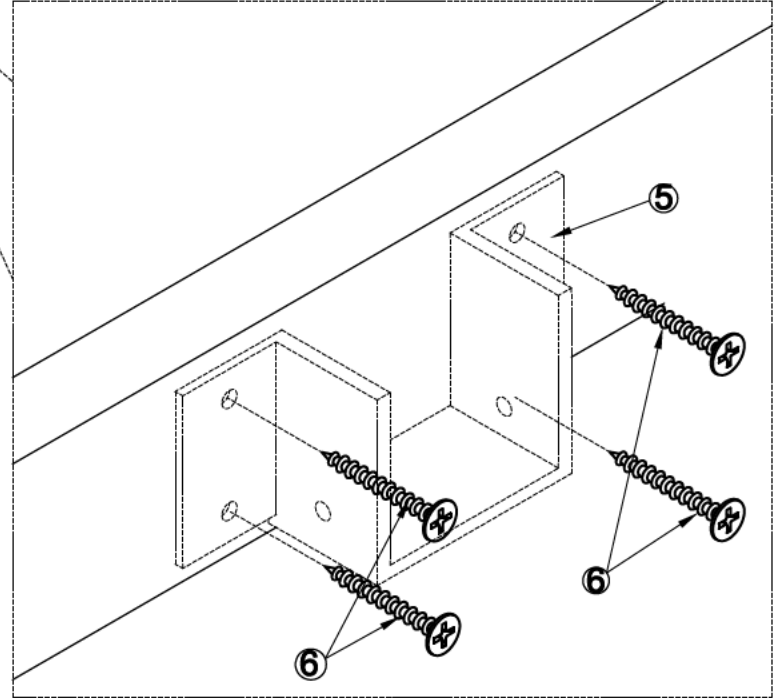
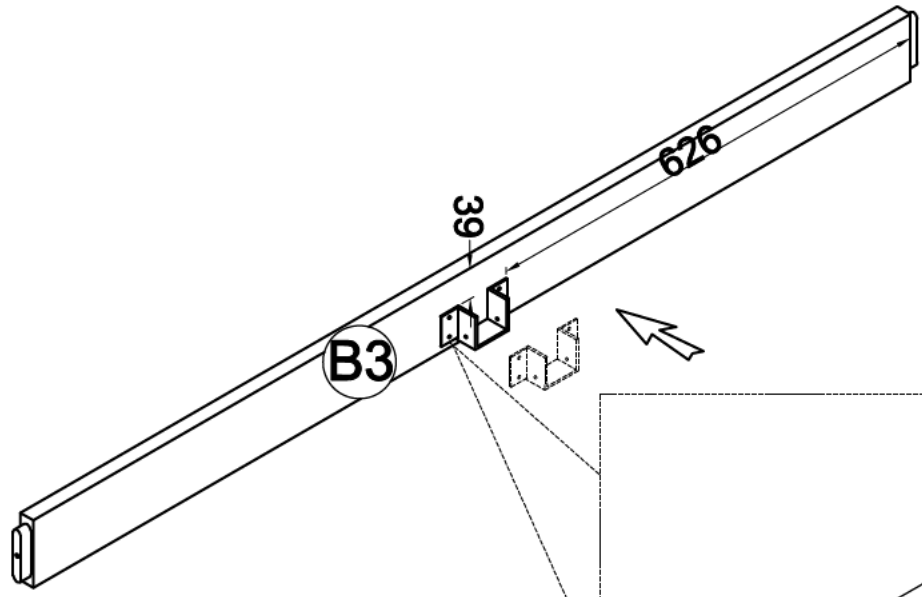


# STEP 3: Following below illustration . .

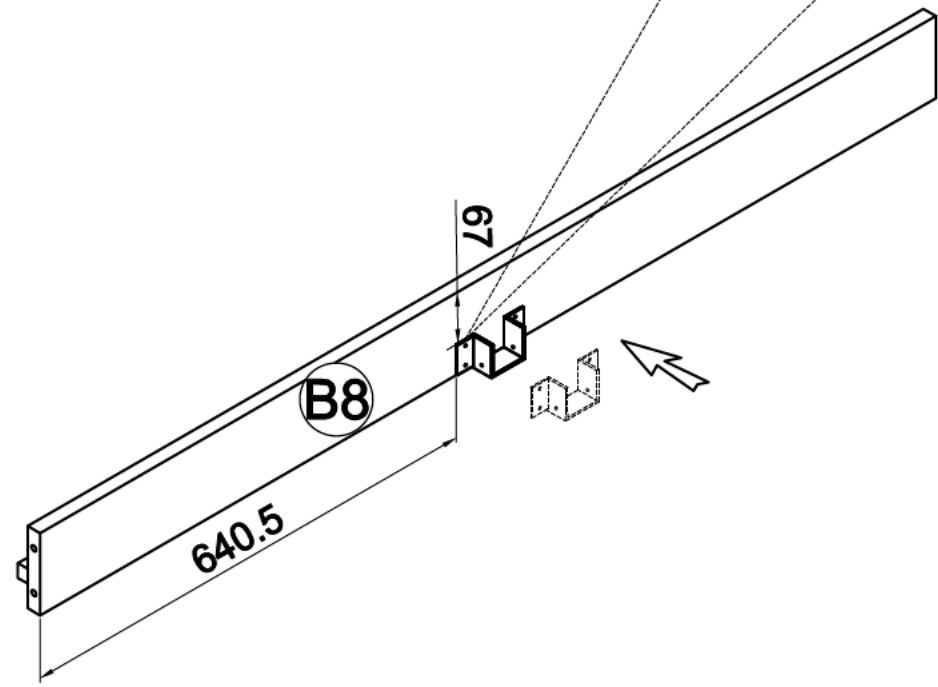
Using hardware #6 connect Steel Bracket(#5) with B3 and B8.  
Look at detail view for more detail

6	5
	
8(pcs)	2(pcs)

BACK



BACK



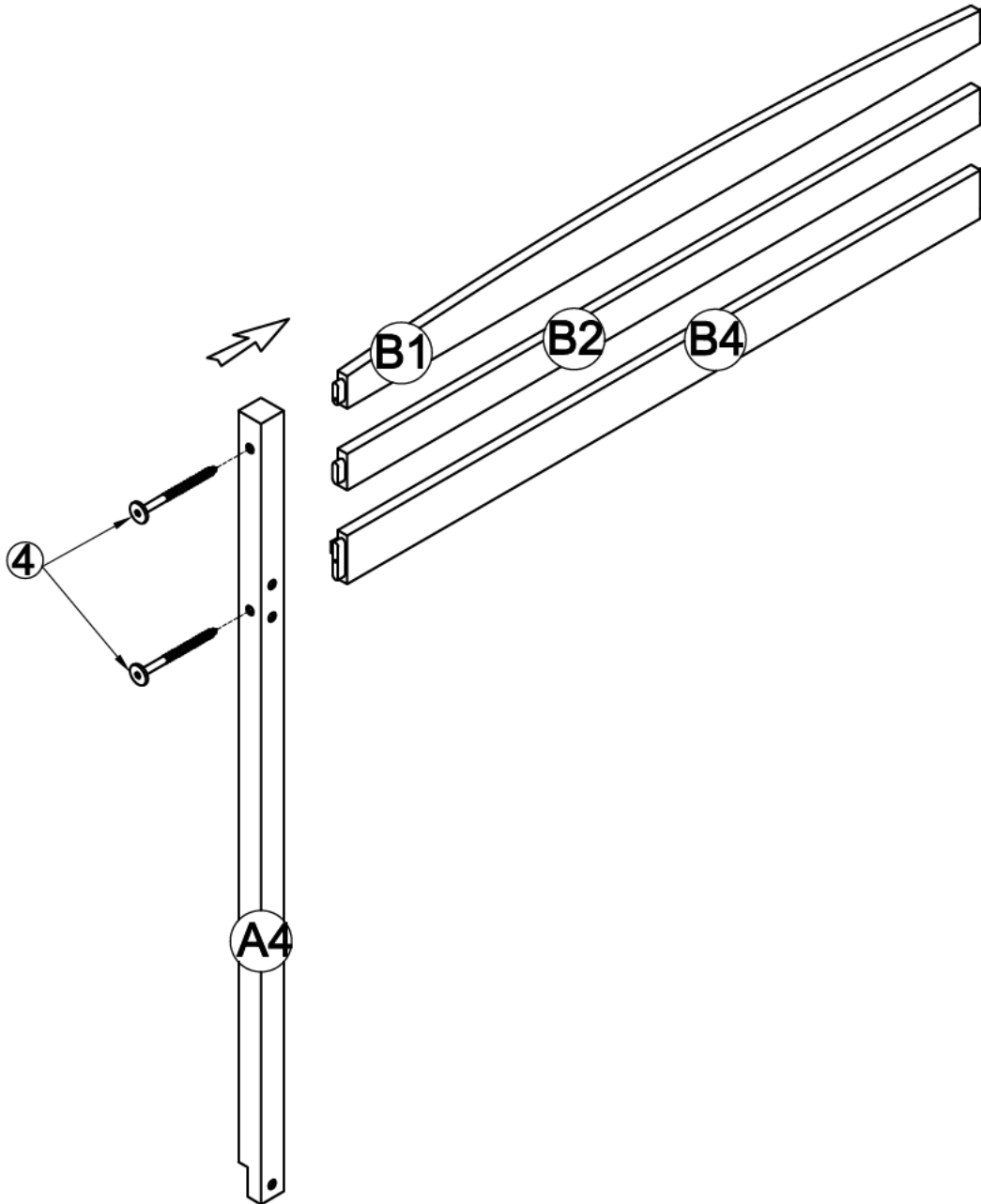
# STEP 4: Following below Illustration

-Using hardware #4 connect B1,B2,B4 Woodbar with A4 Leg

4



2(pcs)



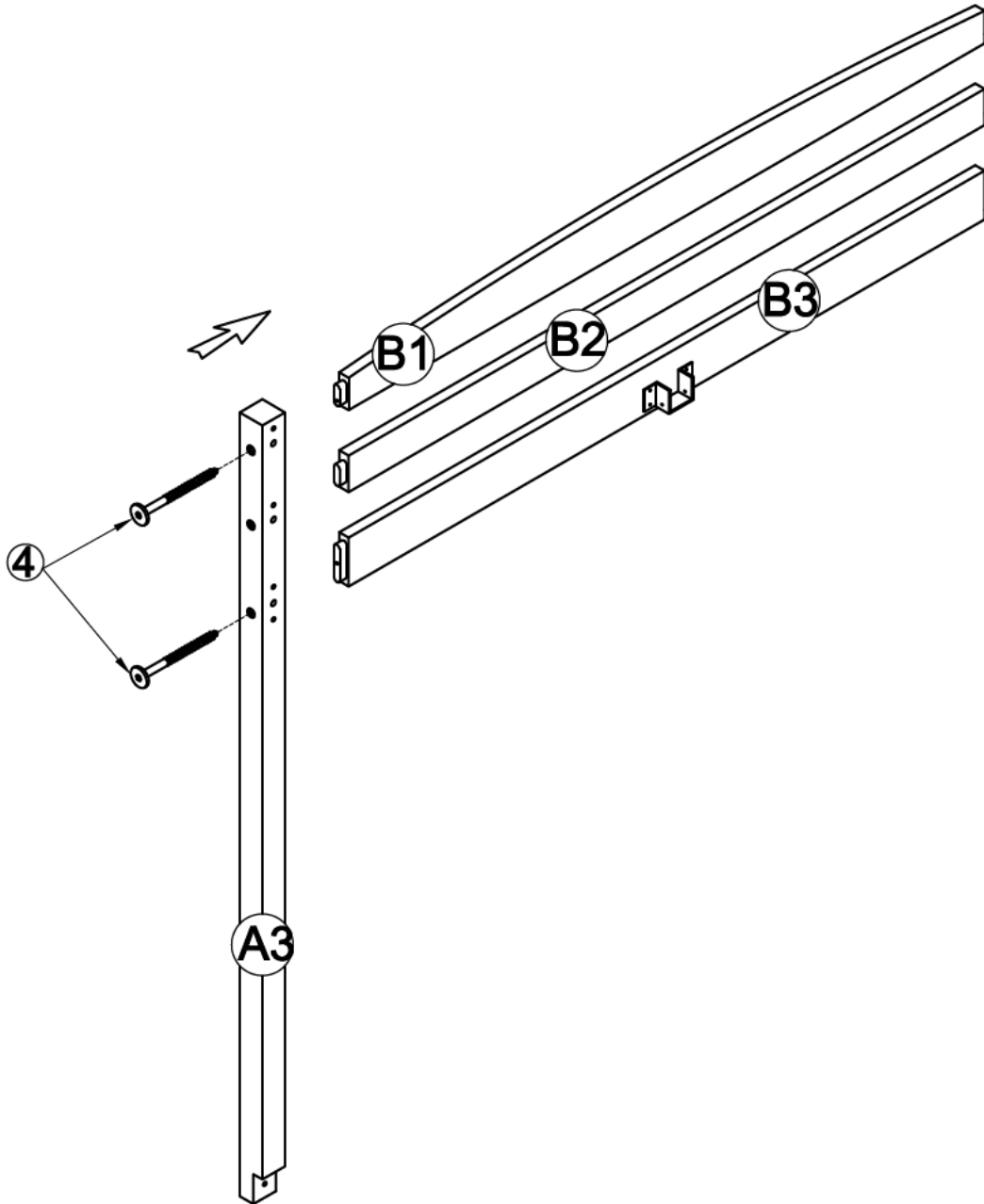
# STEP 5: Following below Illustration

-Using hardware #4 connect B1,B2,B3 Woodbar with A3 Leg

4






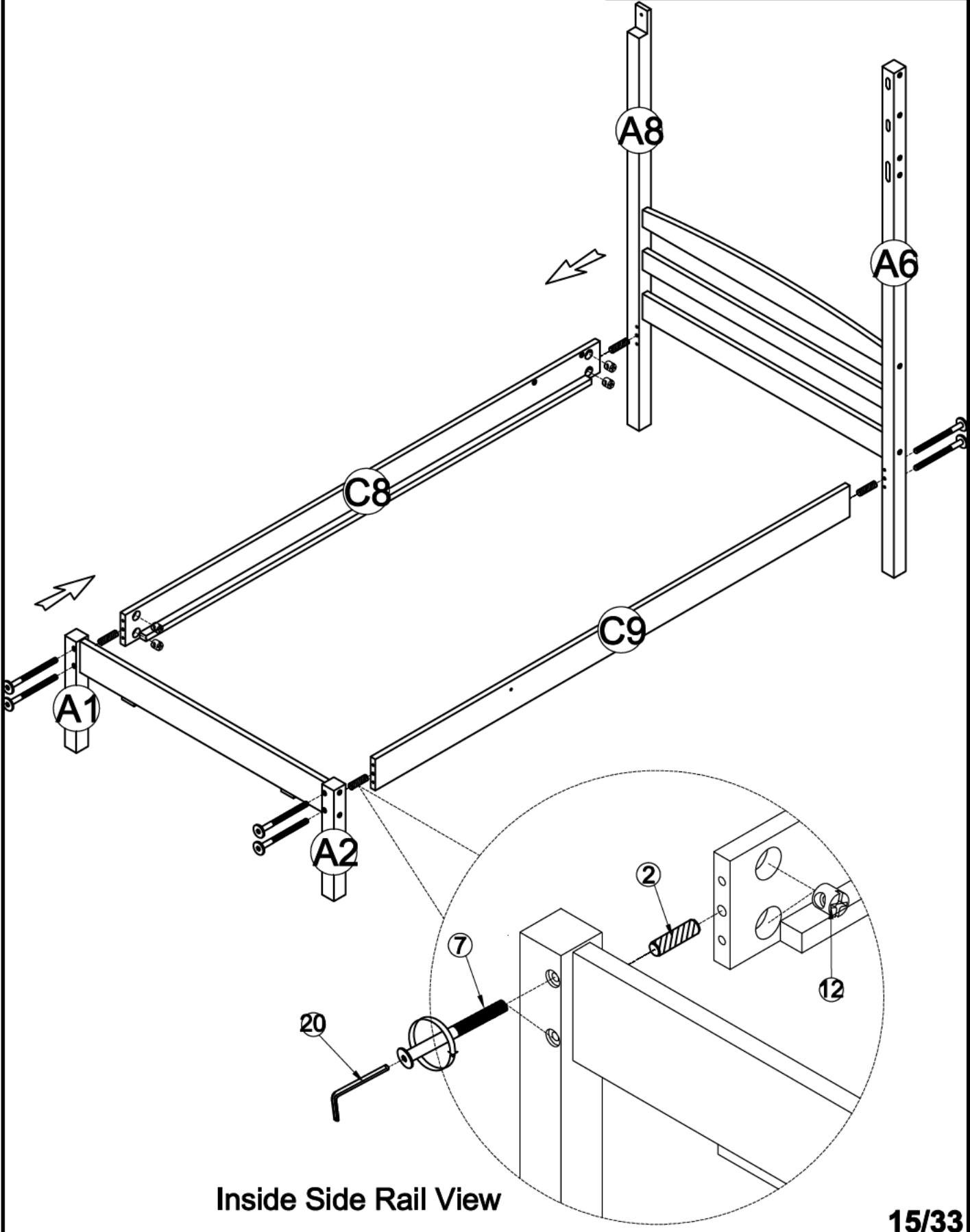
2(pcs)



# STEP 6: Following below Illustration Using hardware #7, #12 and dowel #2

follow detail view to Assembly Bottom bed's Headboard (Completed on step 2) and Footboard (Completed on step 1) with siderail C8,C9.Look at detail view for more detail




12		7		2	
8(pcs)		8(pcs)		4(pcs)	

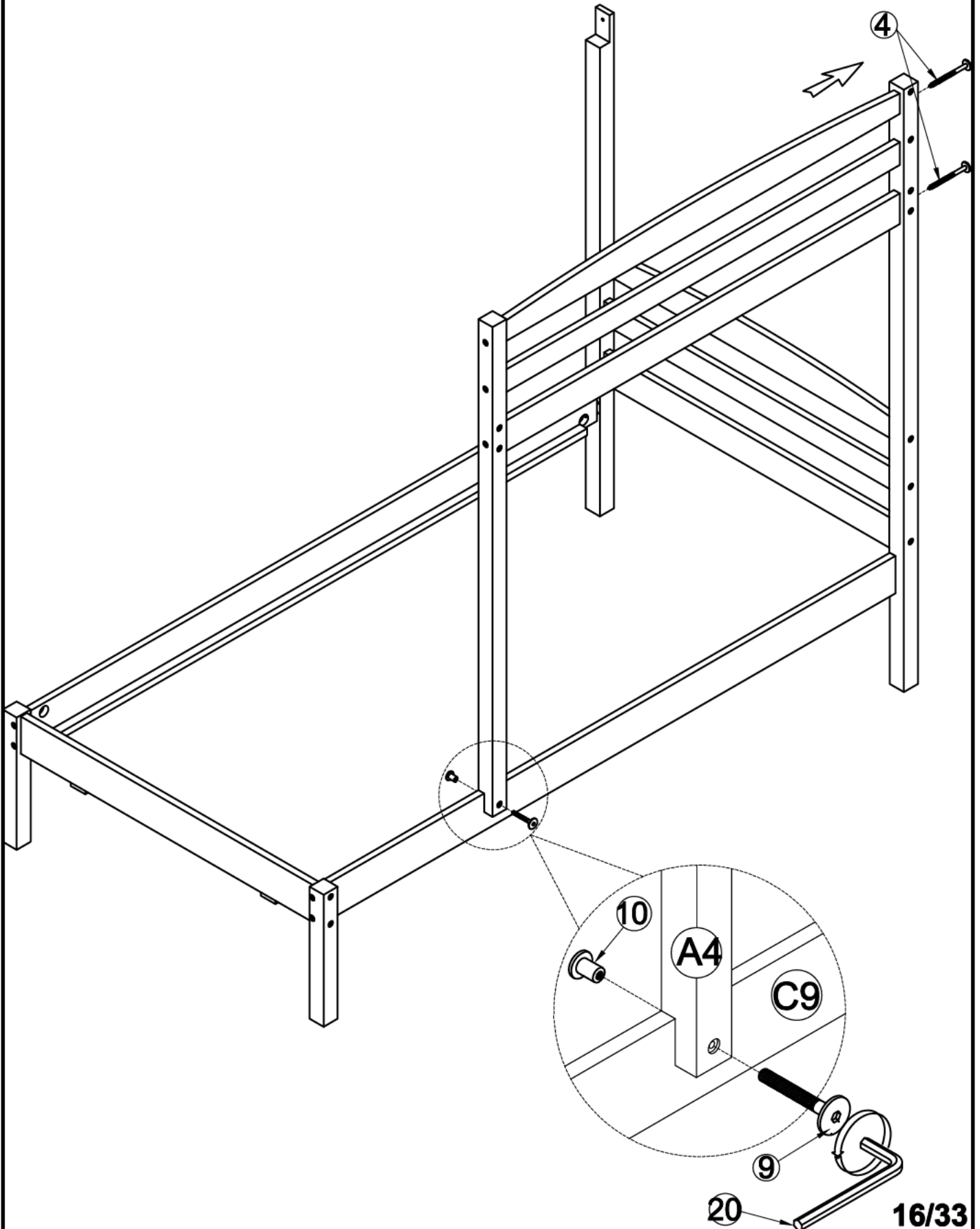


Inside Side Rail View

# STEP 7: Following below Illustration

-Using hardware #4,#9,#10 connect Frame(completed on step 4 ) withFrame (completed on step 6)

10	9	4
		
1(pcs)	1(pcs)	2(pcs)



# STEP 8:

Following below illustration:

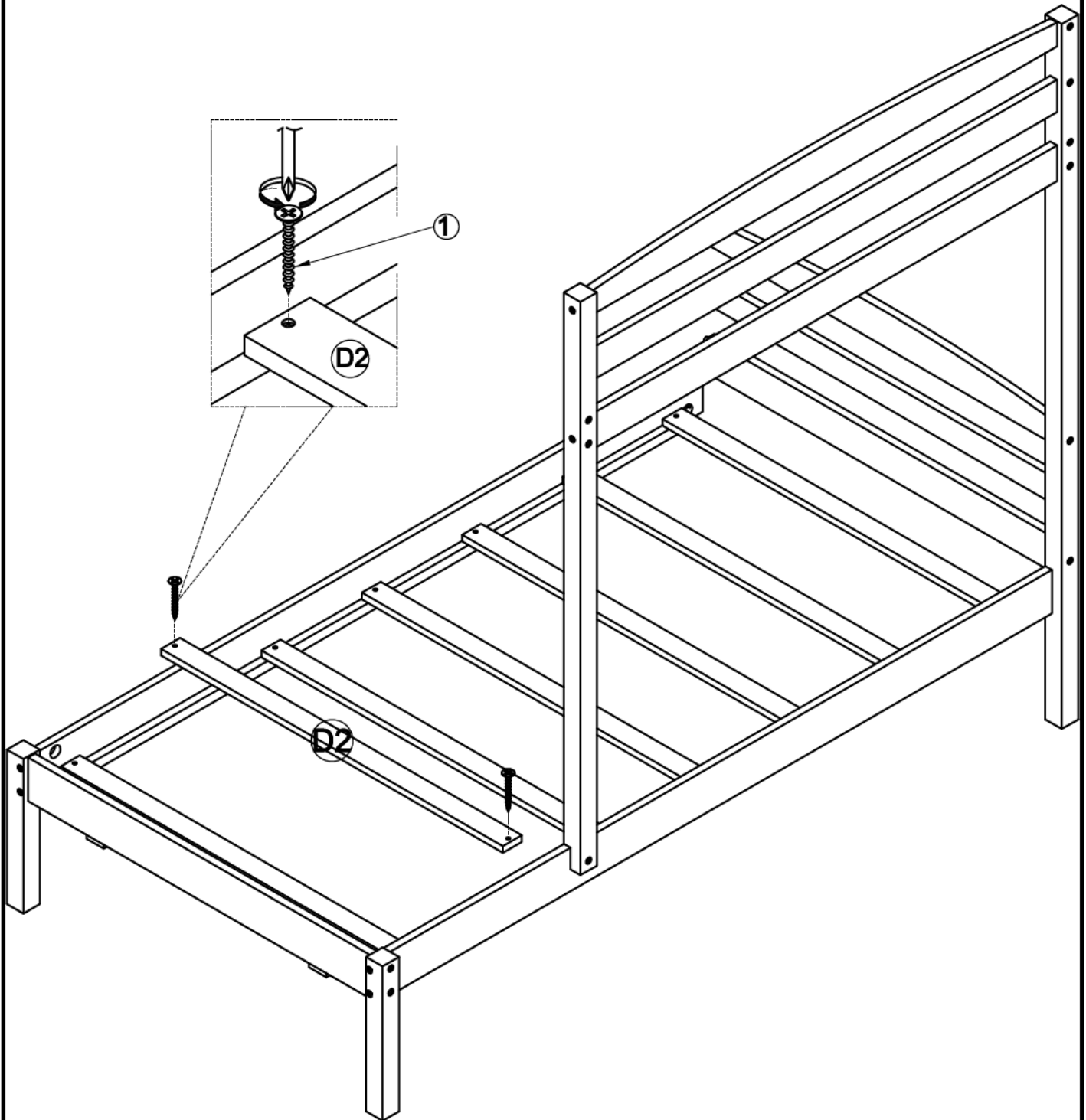
Screw 7 slats D2 with Side Rail C8,C9 by using hardware #1.

-Look at detail view for more detail

1






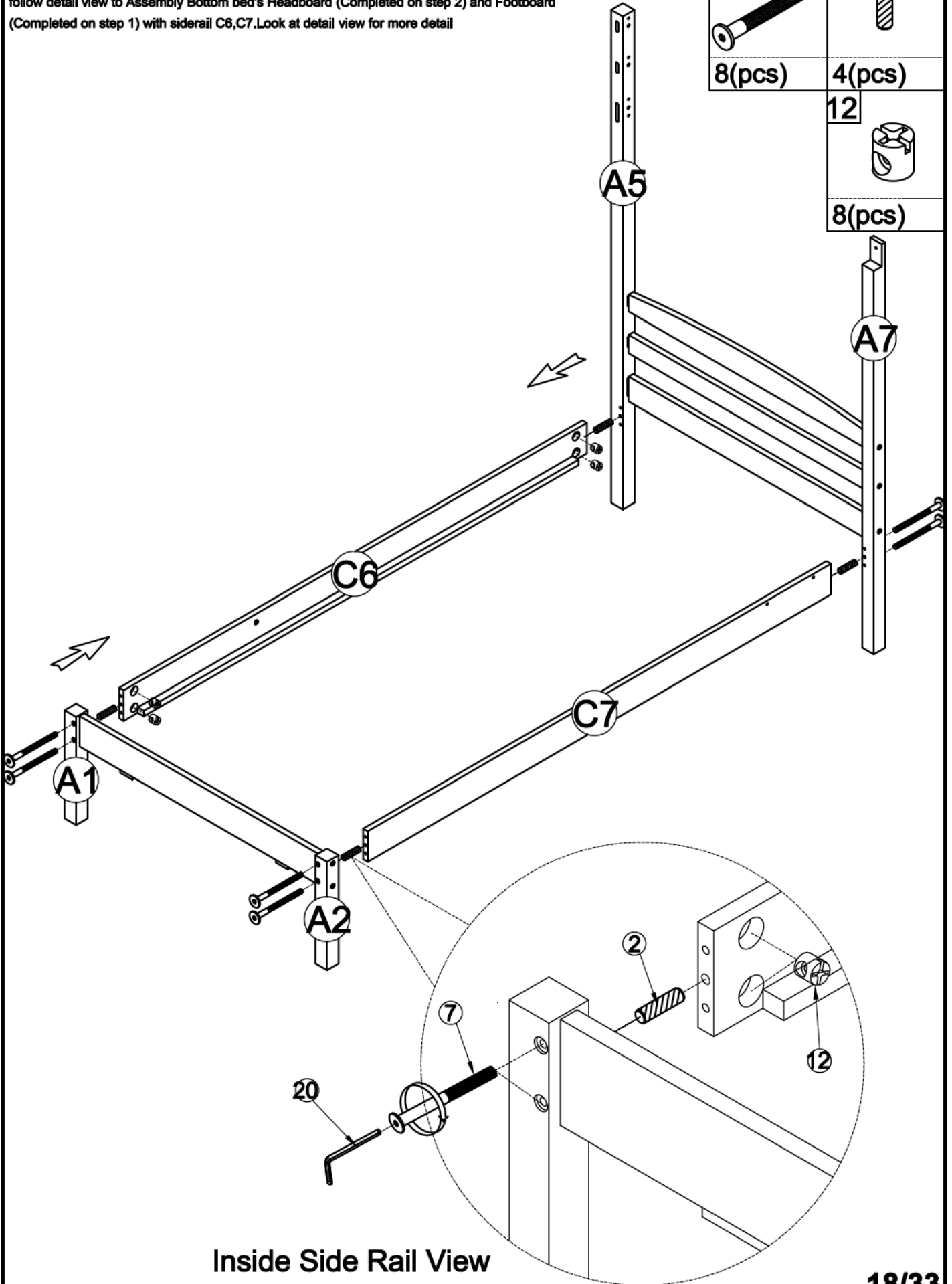
14(pcs)



# STEP 9: Following below Illustration Using hardware #7, #12 and dowel #2

follow detail view to Assembly Bottom bed's Headboard (Completed on step 2) and Footboard (Completed on step 1) with siderail C6,C7.Look at detail view for more detail

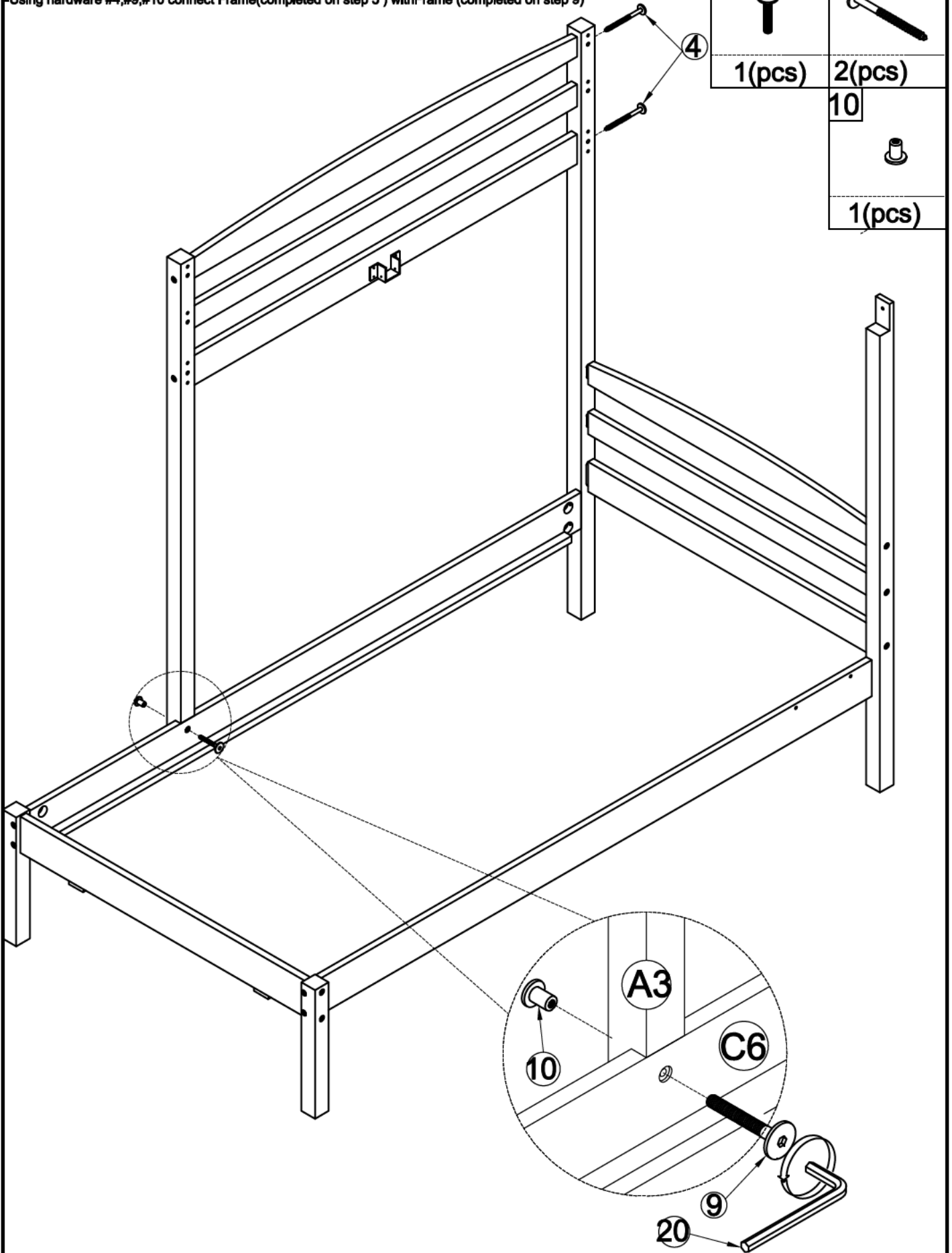
7	2
	
8(pcs)	4(pcs)
	12
	
	8(pcs)



Inside Side Rail View

# STEP 10: Following below illustration

-Using hardware #4,#9,#10 connect Frame(completed on step 5 ) withFrame (completed on step 9)



# STEP 11: Following below illustration:

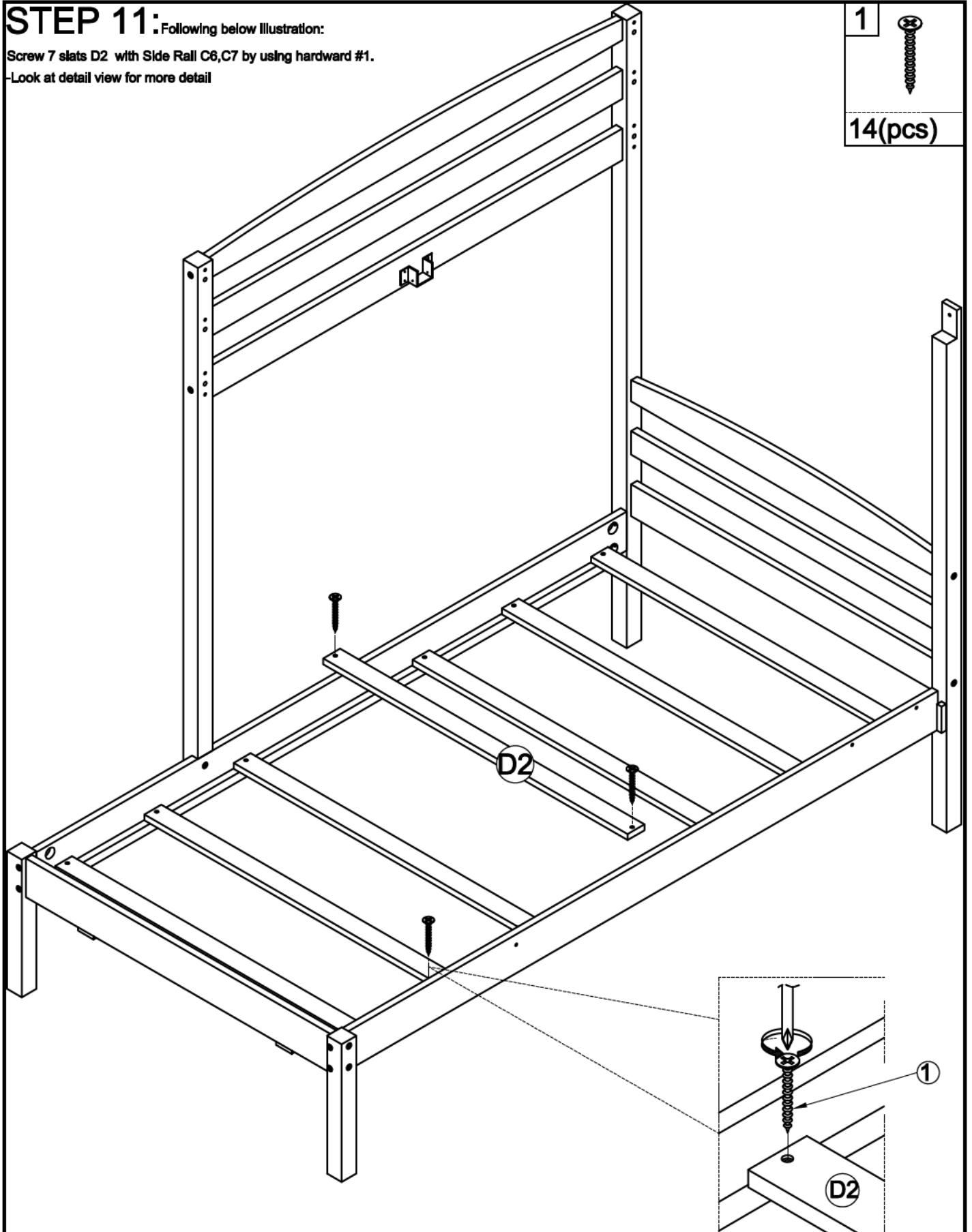
Screw 7 slats D2 with Side Rail C6,C7 by using hardward #1.

-Look at detail view for more detail

1



14(pcs)

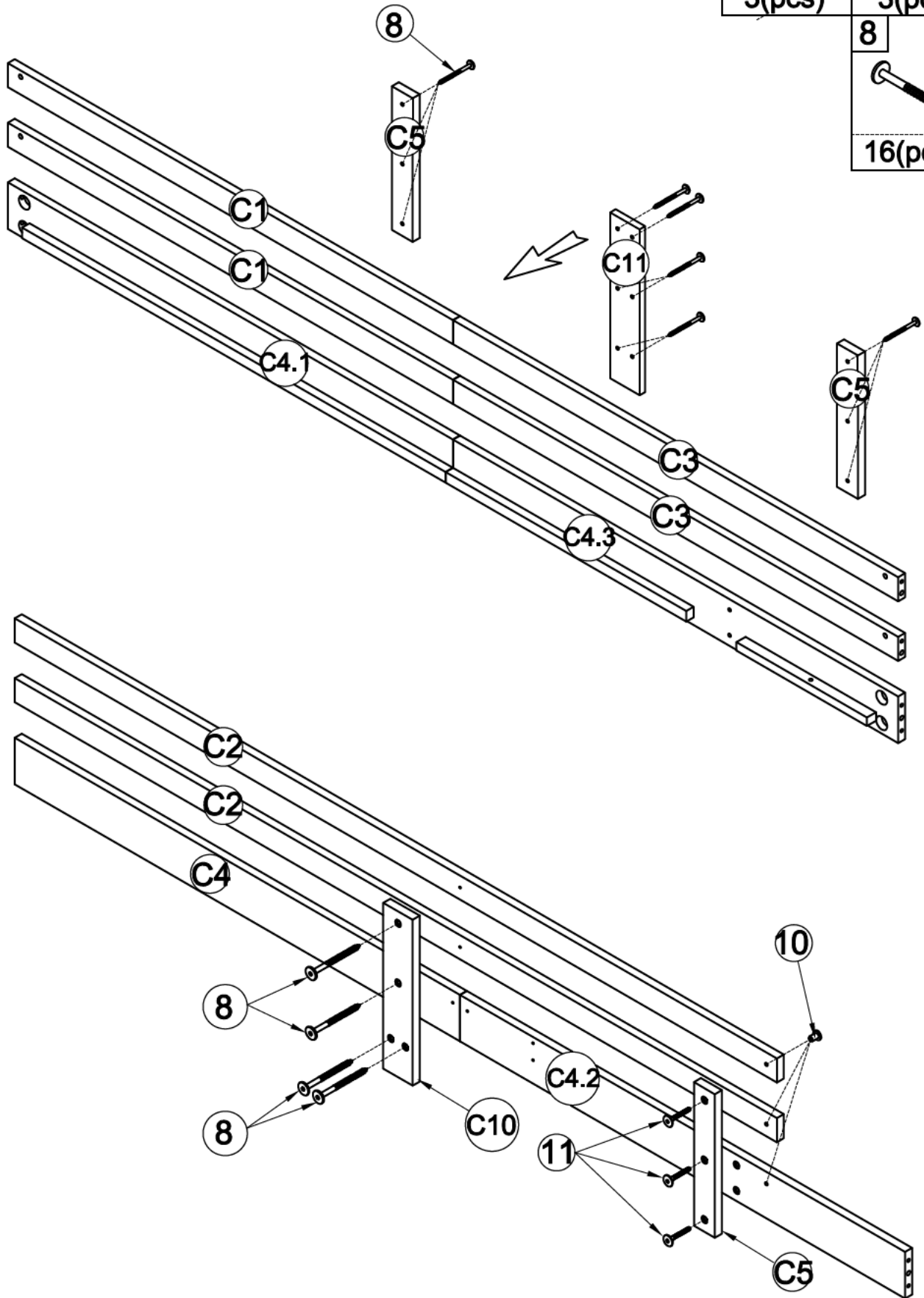


# STEP 12:

Following below Illustration:


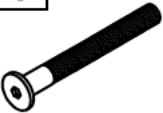


- Using hardward #24 to connect Guardrail C1(x2),C3(x2) Siderail C4.1,C4.3 With C5,C11
- Using hardward #10,#11,#8 to connect Guardrail C2(2) and Siderail C4,C4.2 with rail C5,C10
- Look at detail view for more detail

10	11
3(pcs)	3(pcs)
8	
16(pcs)	

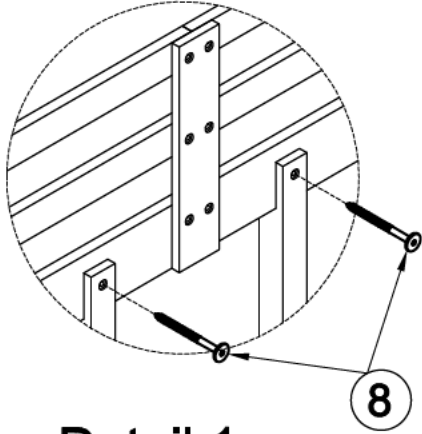
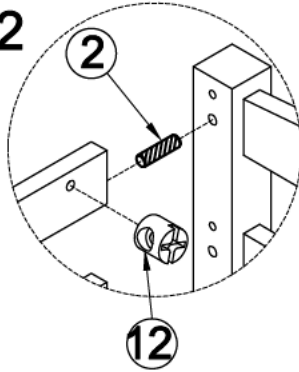


# STEP 13:

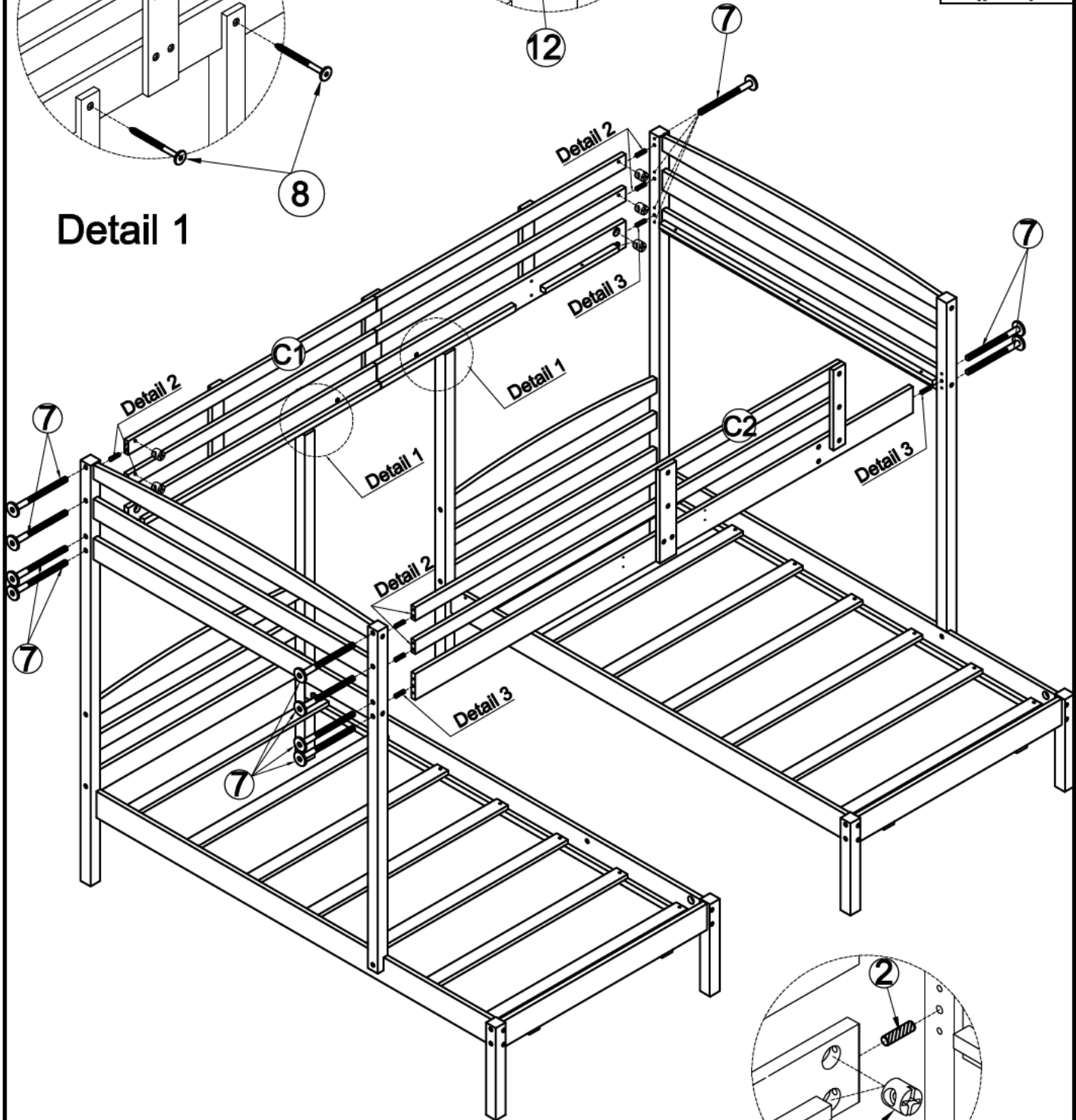
Following below illustration Using hardware #7,#12,#8 and dowel #2 follow detail view to Assembly Frame (Completed on step 11) and Frame (Completed on step 8) with Frame (Completed on step 12). Look at detail view for more detail

12	7	2
		
14(pcs)	14(pcs)	10(pcs)
		8
		
		2(pcs)

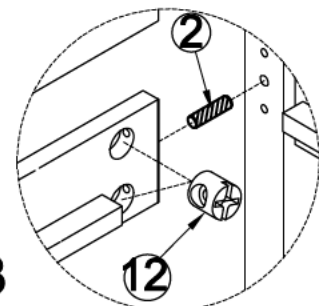
## Detail 2



## Detail 1







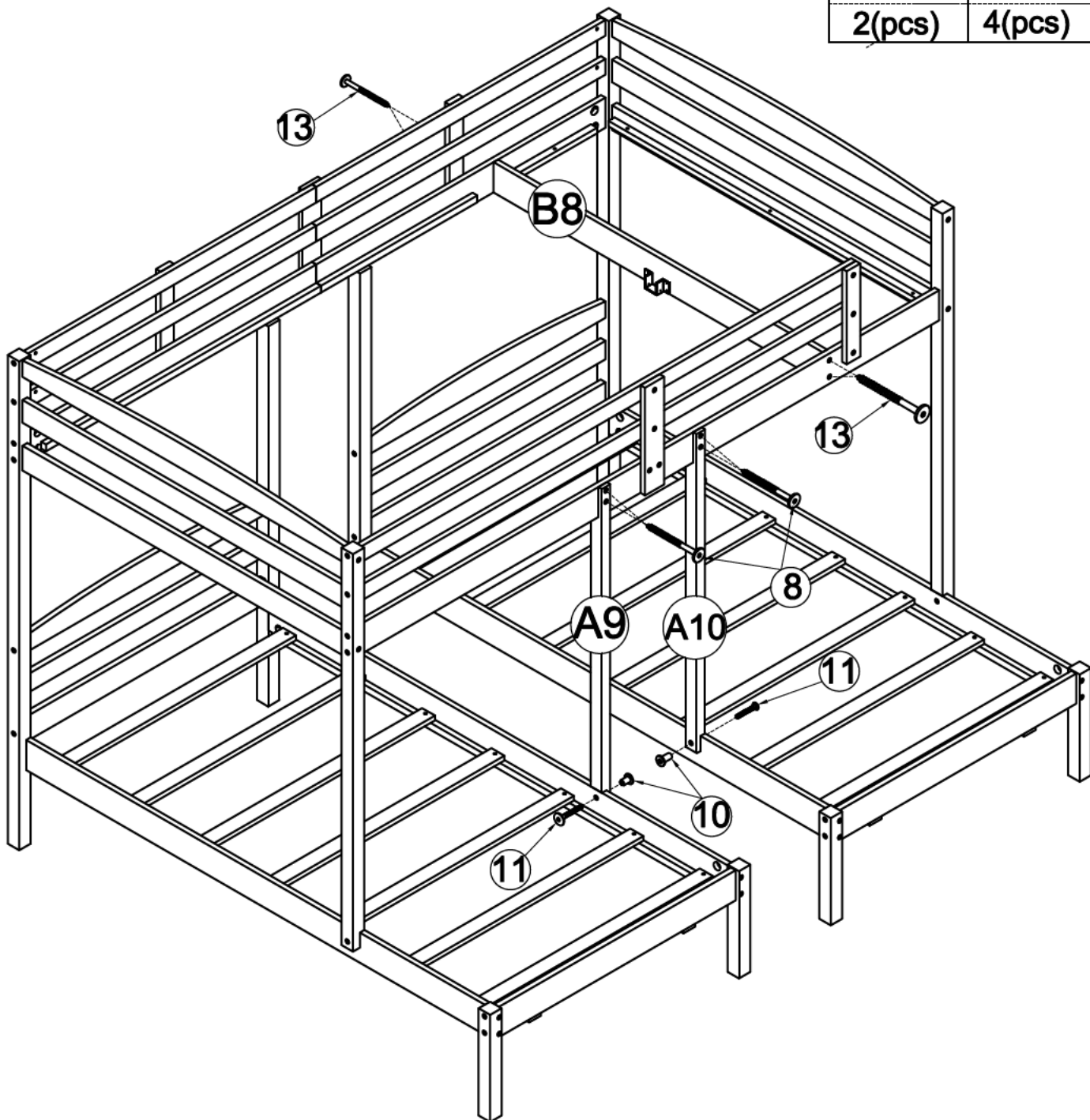
## Detail 3



# STEP 14: Following below illustration

-Using hardware #10,#11,#13,#8 connect Frame(completed on step 13 ) with Frame (completed on step 3) and A9,A10 Legs

11	13
	
2(pcs)	4(pcs)
10	8
	
2(pcs)	4(pcs)



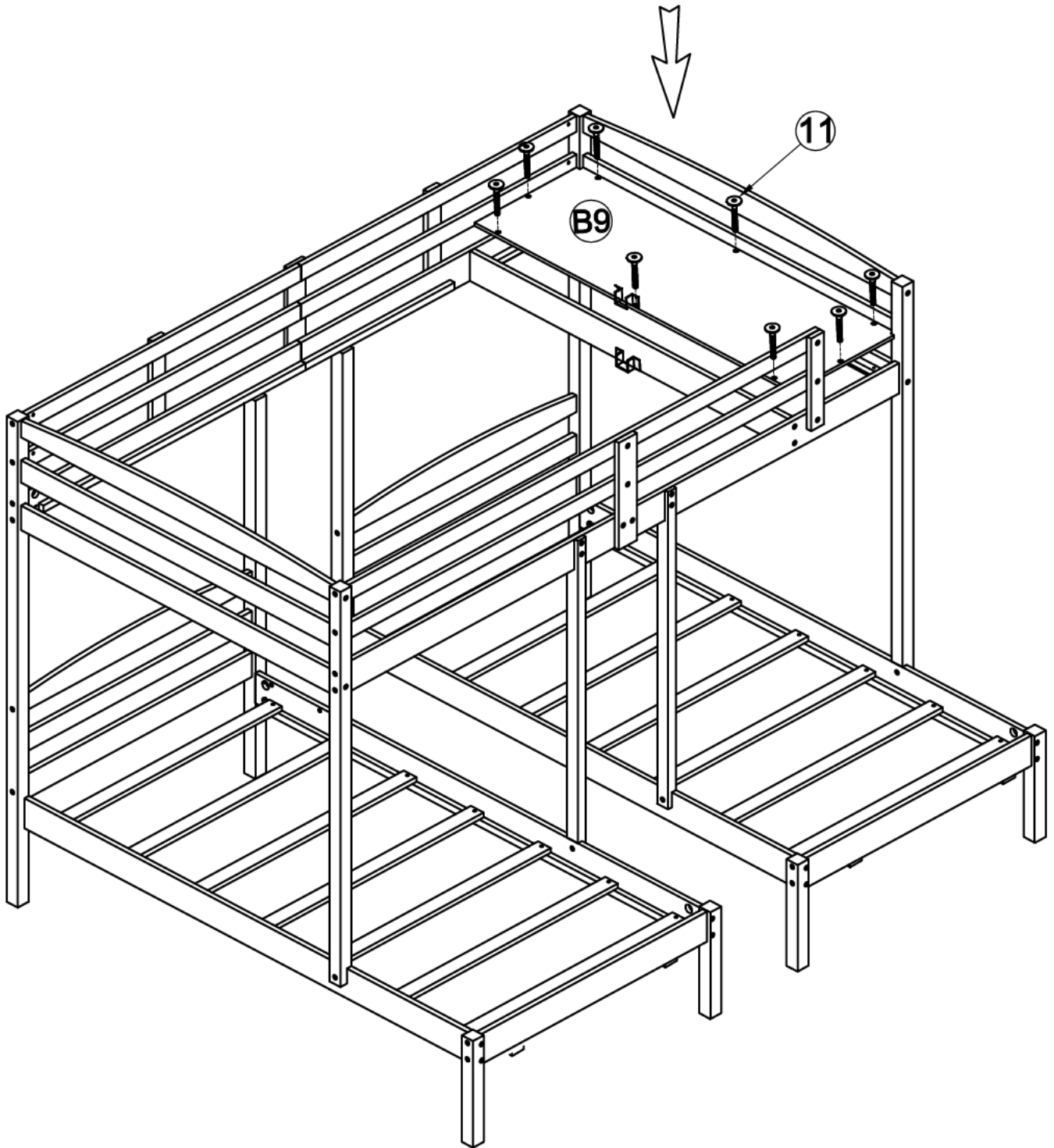
# STEP 15: Following below illustration

-Using hardware #11 connect Frame(completed on step 14 ) with Panel B9

11



8(pcs)



# STEP 16:

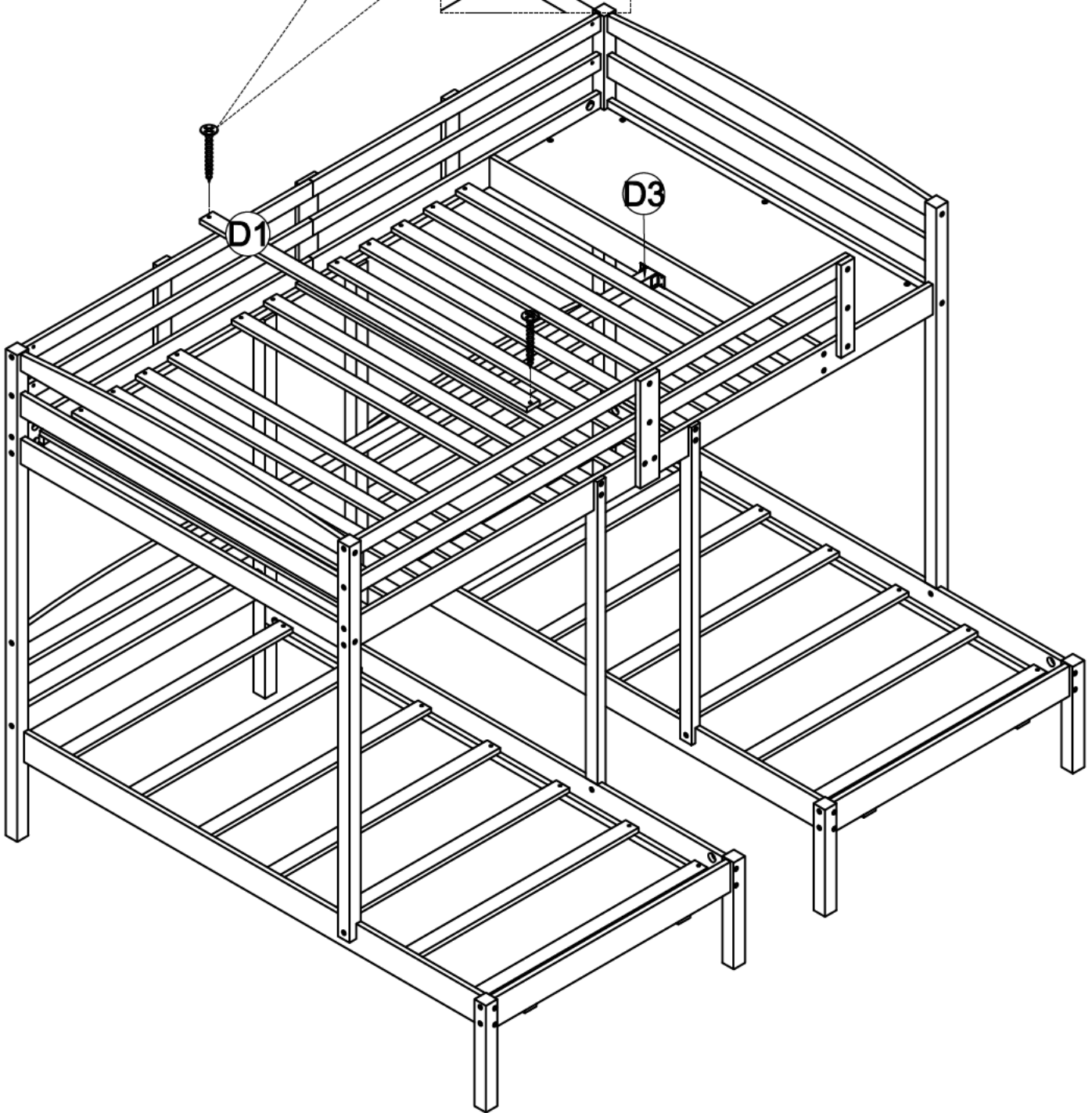
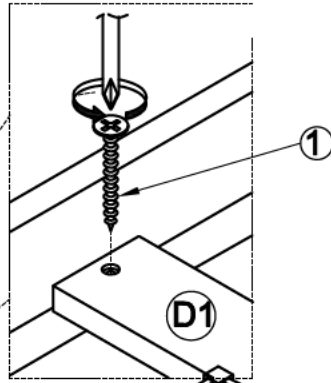
Following below illustration:

- Put Support Slat (D3) on Bracket
- Assembly 14 slats (D1) using hardward #1.
- Look at detail view

1

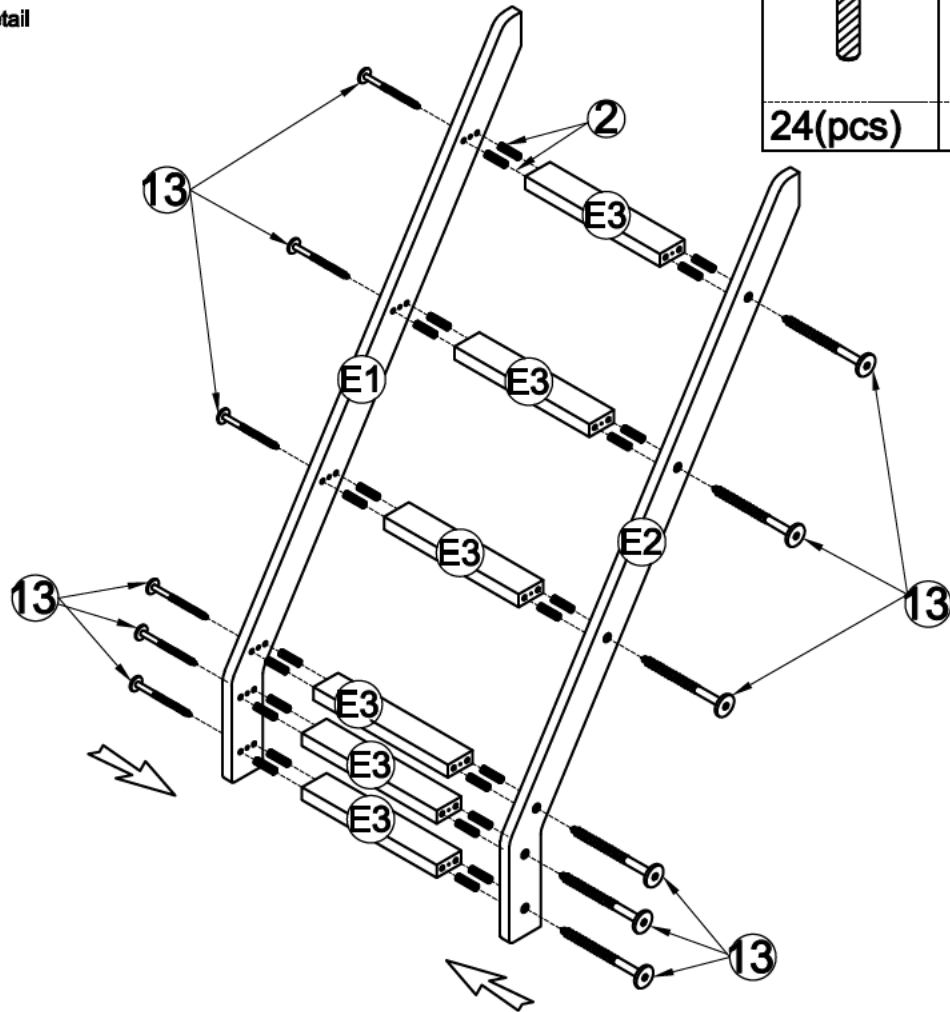




28(pcs)



# STEP 17-1: Following below illustration Using hardware #13, Dowel 2 to Assembly Ladder.

Look at detail view for more detail

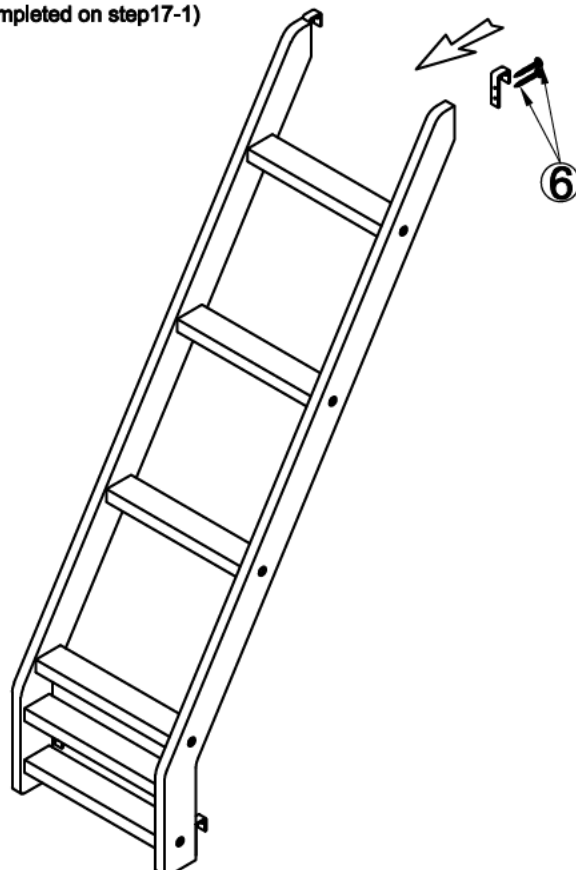




2		13	
24(pcs)		12(pcs)	

# STEP 17-2: Following below illustration

-Using hardware #6 connect Steel Bracket (#14) with Frame(completed on step17-1)

-Look at detail view for more detail



6	
8(pcs)	
14	
4(pcs)	

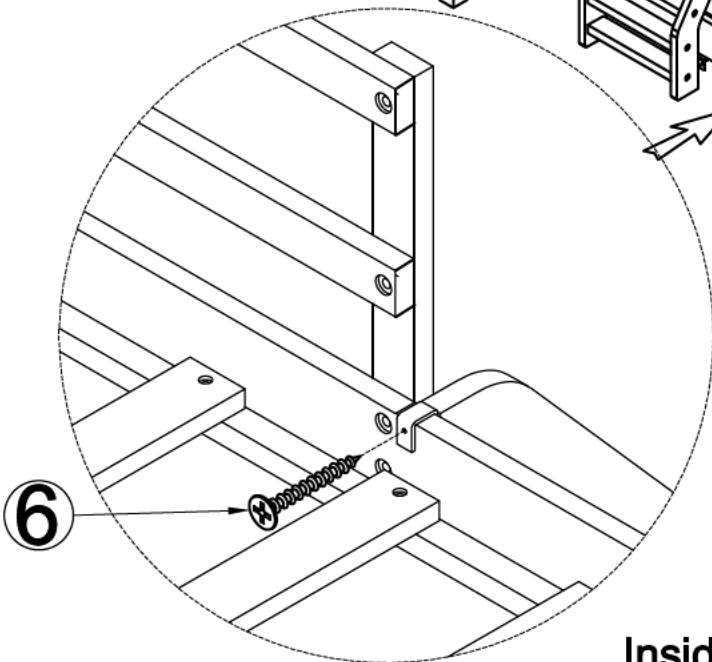
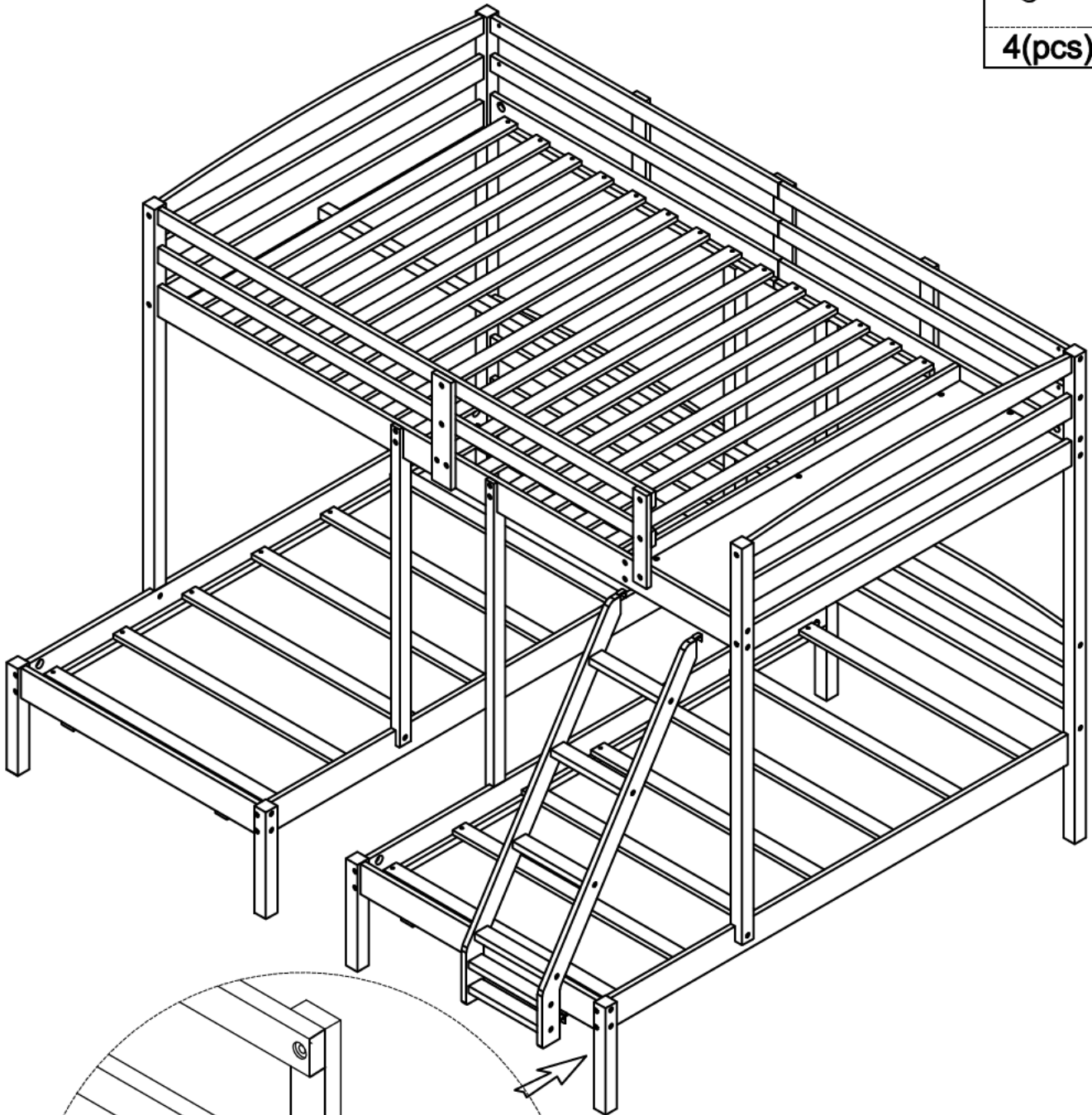
# STEP 18: Following below illustration

-Using hardward #6 connect Ladder (completed on step 17-2)with Frame(completed on step16)  
-Look at detail view for more detail

6



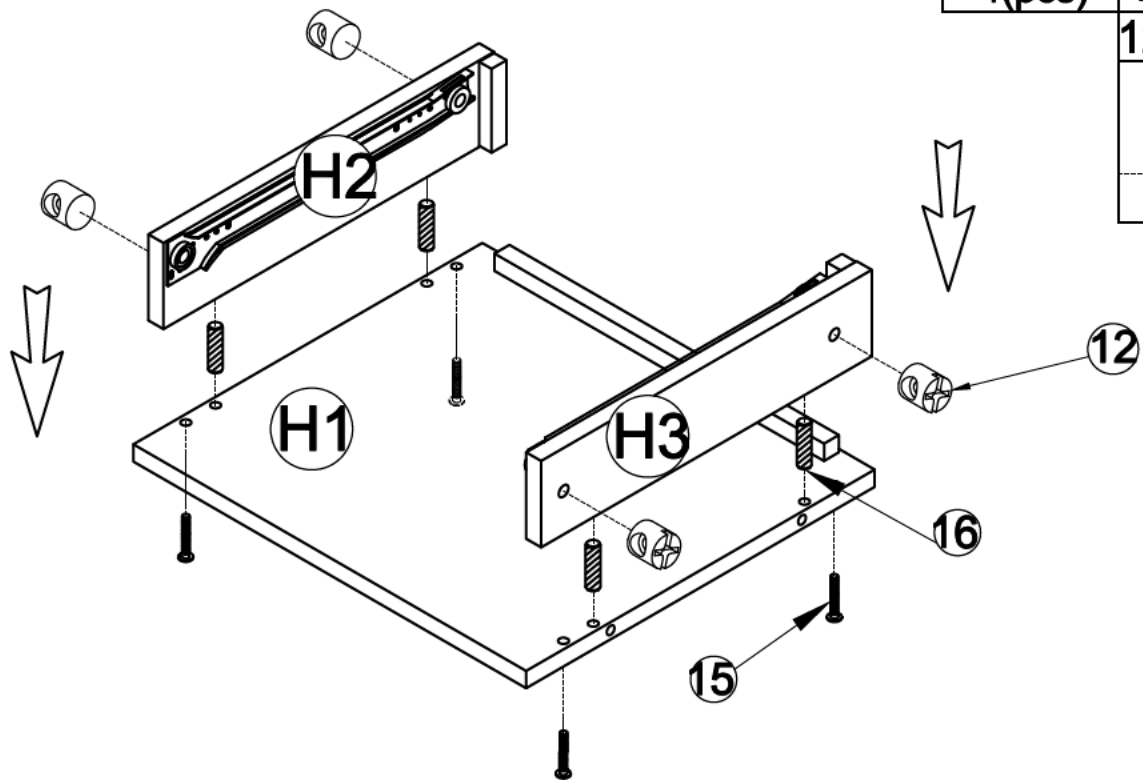
4(pcs)


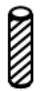



Inside Side Rail View

# STEP 19-1: Following below illustration:

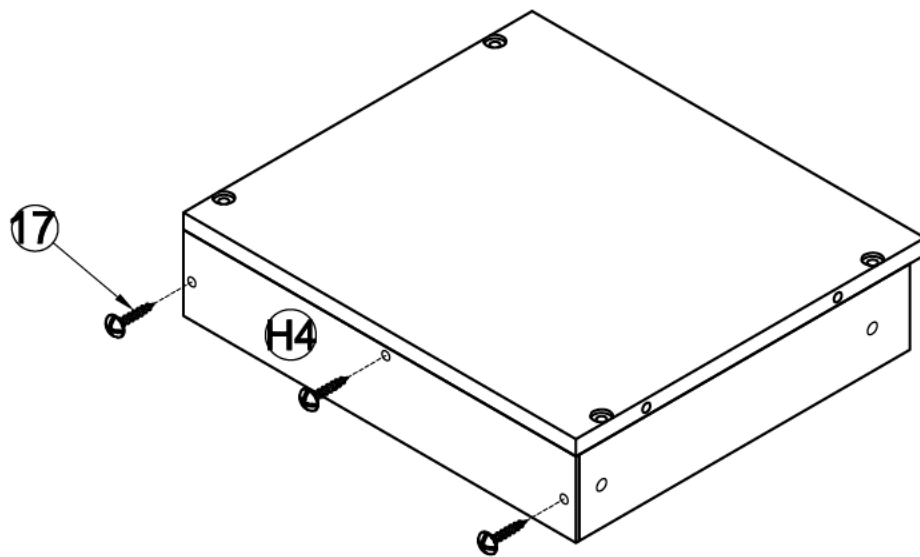
-Using hardware #12,#15 and dowel #16 to connect H2,H3 panels with H1 panel




15		16	
4(pcs)		4(pcs)	
		12	
		4pcs	

# STEP 19-2: Following below illustration:

-Using hardware #17 to connect Frame(completed on step 19-1) with Back panel H4





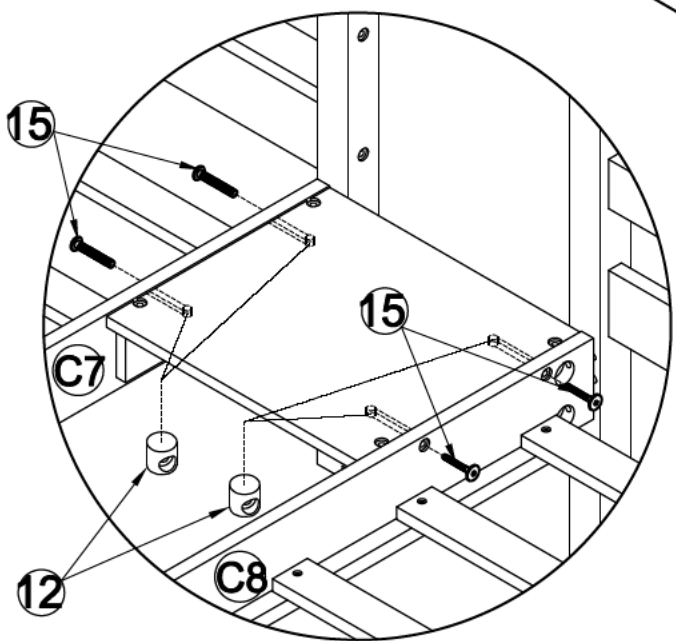
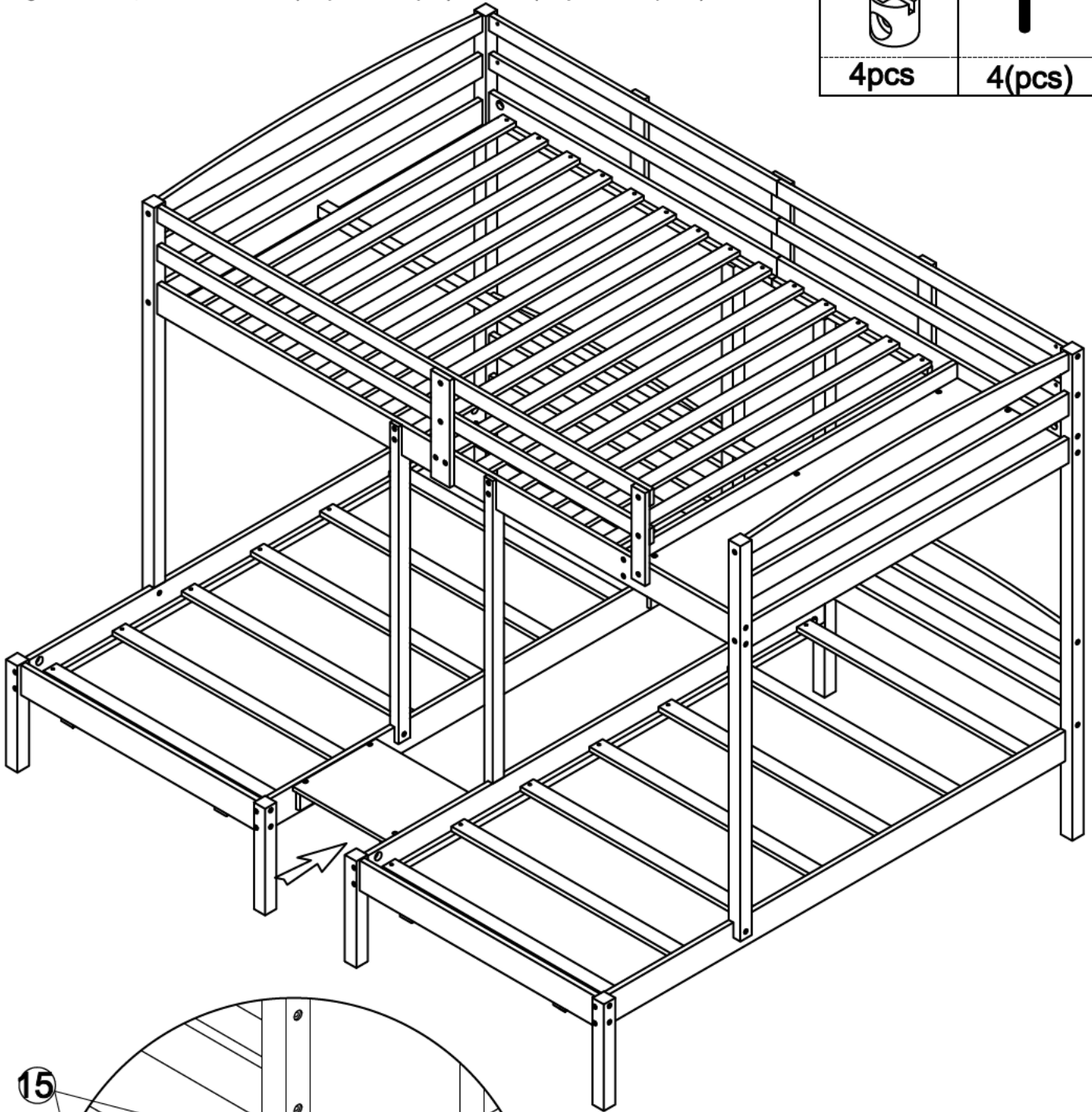
17	
3(pcs)	

# STEP 20:

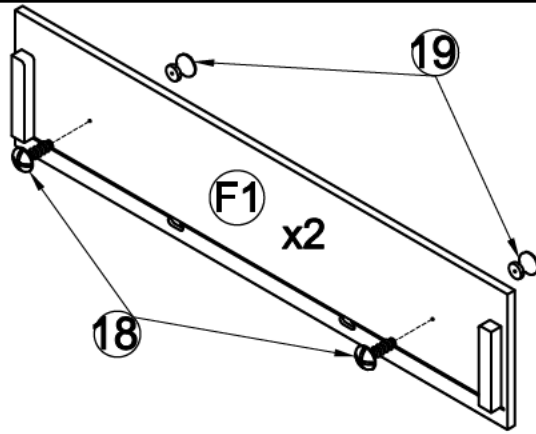
Following below illustration:


-Using hardward #12,#15 to connect Frame (completed on step 18)with Frame (completed on step 19-2)


12	15
	
4pcs	4(pcs)



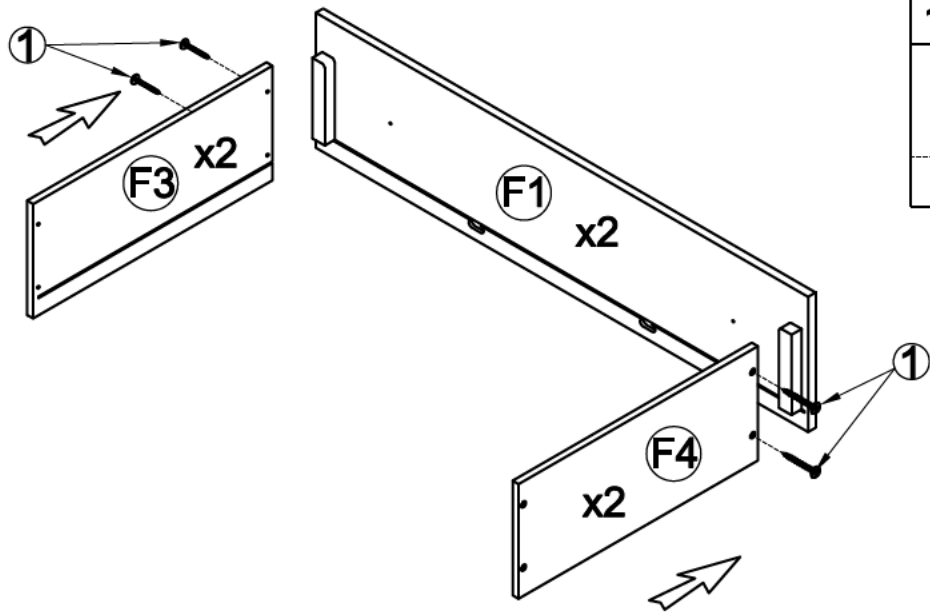
**STEP 21-1:**




19

4(pcs)

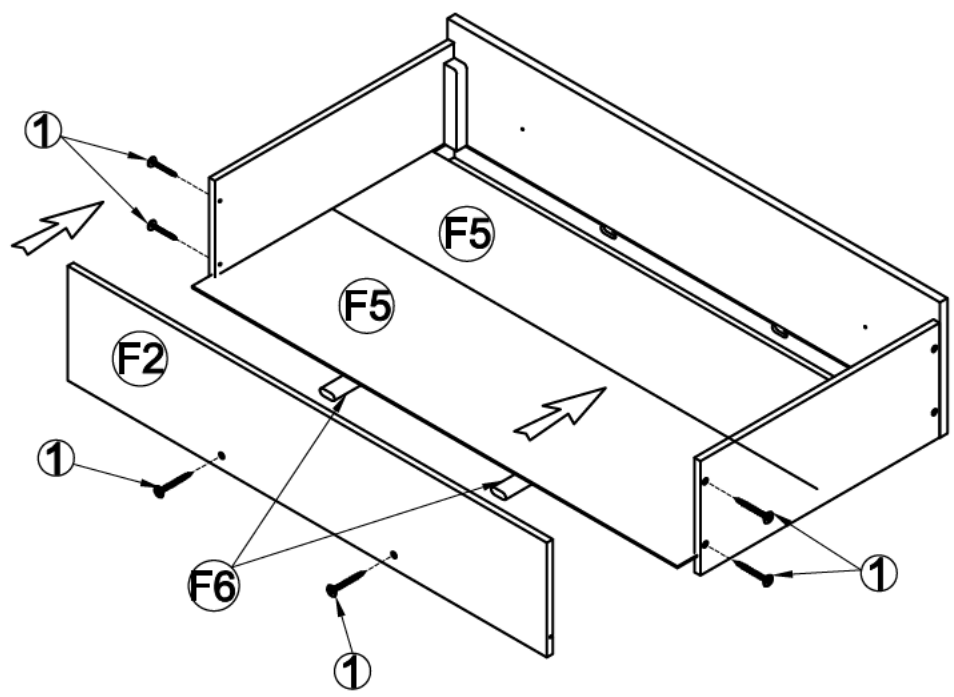
18

4(pcs)


**STEP 21-2:**





1

8(pcs)

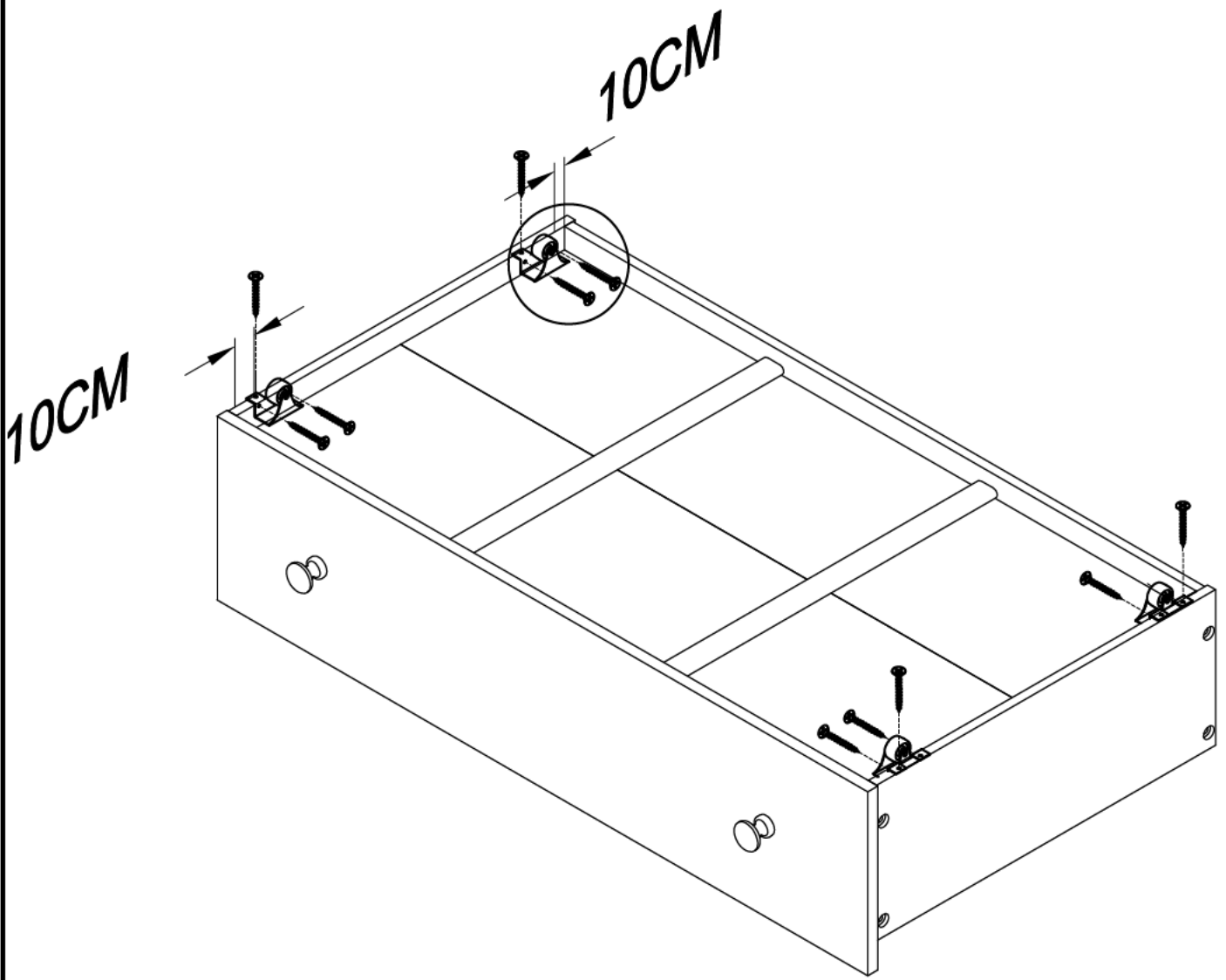
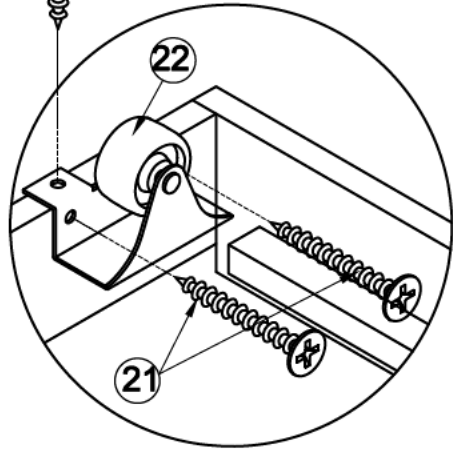
**STEP 21-3:**



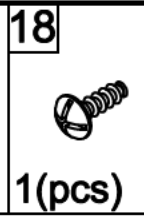
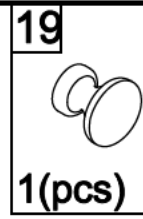
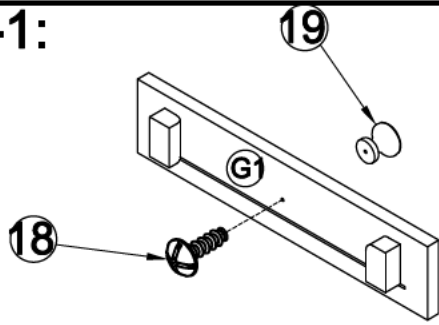
1

12(pcs)

# STEP 21-4

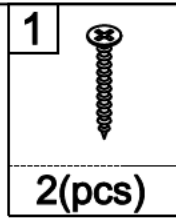
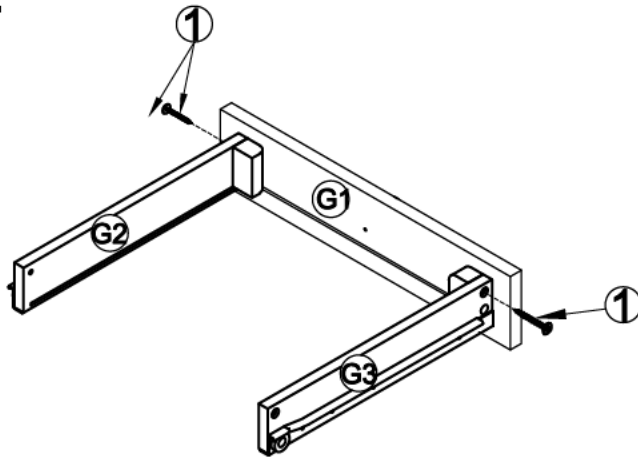
22 	21 
2x4(pcs)	2x12(pcs)



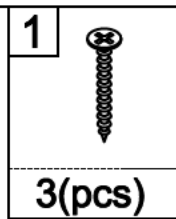
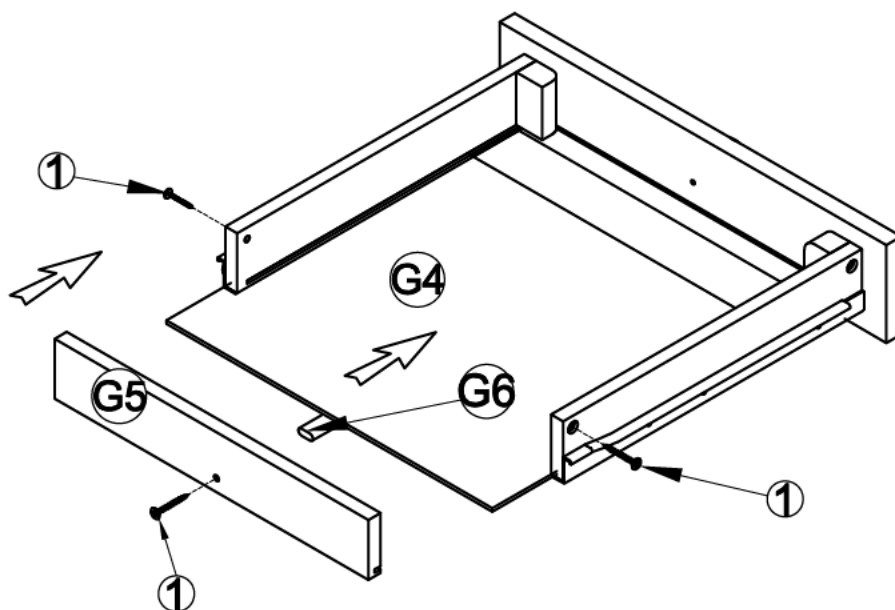
### STEP 22-1:



### STEP 22-2:



### STEP 22-3:



# STEP 23: CONGRARULATION. YOU HAVE COMPLETED THE BED.

Push 3 drawer Into It position

