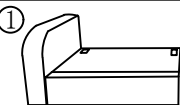
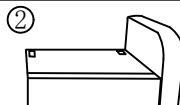
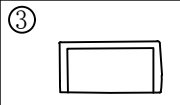
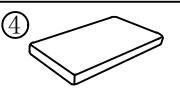

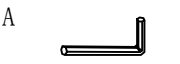




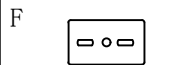


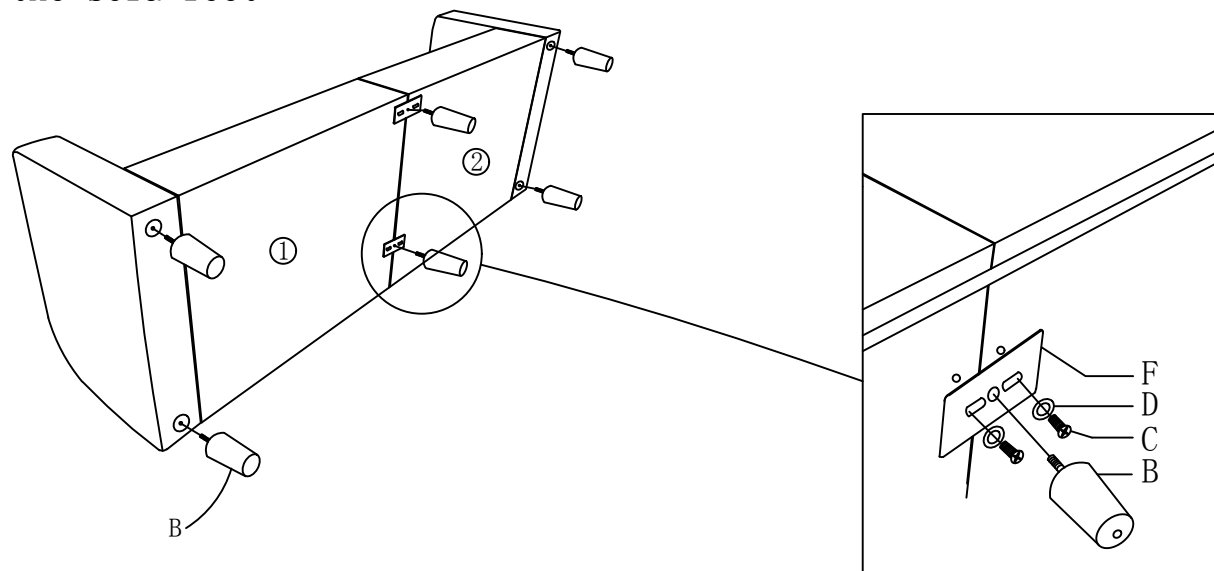
UST-008

Accessories list

 ① Left armrest(1)	 ② Right armrest(1)	 ③ backrest(2)
 ④ Seat bag(2)	 ⑤ Back cushion(2)	
 A M4x65x23 wrench(1)	 B Sofa foot(6)	 C 6x30 screw(6)
 D 16mm gasket(6)	 E 50 Back plate(1)	 F 5x12x3 foot plate(2)

STEP 1:

Connect the left half and the right half of the sofa and tighten the sofa feet

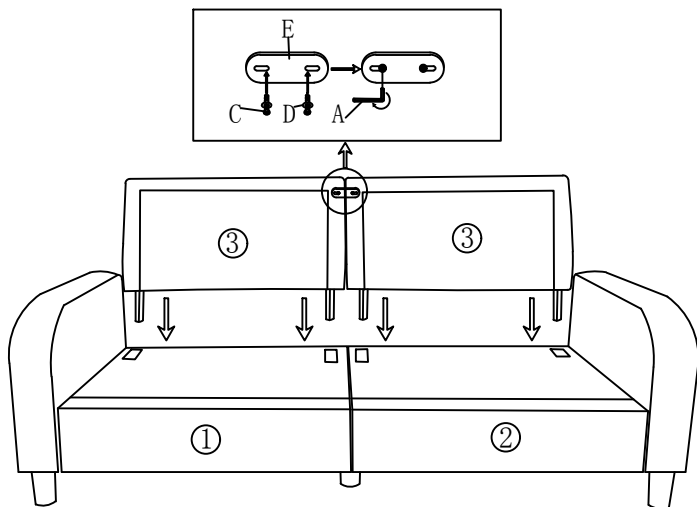


STEP 2:

Lock the back plate with screw and wrench

STEP 3:

Insert the backrest into the armrest



STEP 4:

Assembly completed

