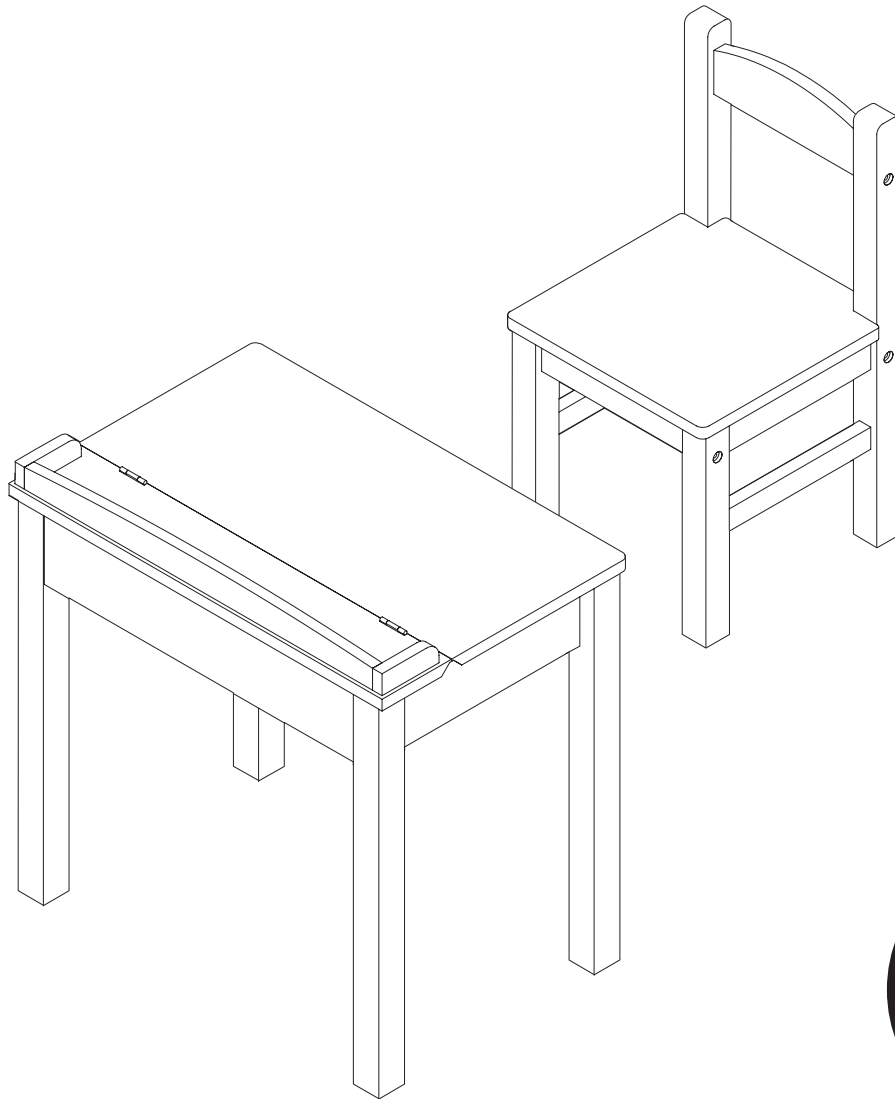




Wooden Lift-Top Desk & Chair

ASSEMBLY INSTRUCTIONS

Put Together in 4 Steps!



Have a question or need help? Give us a call! 1-800-284-3948

THANK YOU!

Thank you for choosing the Melissa & Doug Wooden Lift-Top Desk & Chair! This sturdy and functional set is a terrific way to help nurture a child's creativity and imagination and to inspire learning and wonder for years to come!

NOW IT'S TIME TO PUT IT TOGETHER!

Don't worry, assembling your new desk set is simple, and we're here to help. It may go a little faster with a partner to lend a hand, but we've made it so one person can assemble the desk and chair. Here are a few tips before you begin:

- Read through all the instructions first.
- Clear a flat, covered space (carpeted is best) to lay out all the materials so everything is close at hand.
- You will need a Phillips head screwdriver (not included) to assemble the desk and chair. A power screwdriver is not recommended. We've included everything else you will need. All parts are labeled with a sticker (A-F; 1-6).
- The instructions include lots of helpful pictures—we show you, step-by-step, how to align pieces and parts for speedy and accurate assembly. Note that the hardware needed for each step is shown in the upper right corner of the page, each piece being added in a given step is highlighted in gray, and the “assembled view” (what it looks like in the completed product when the step is completed) is included in the lower right corner of every page.
- In the instructions, the name of a part is followed by a letter or number in parentheses. This letter or number corresponds to the sticker on the part, as well as the picture of the part shown on page 2.
- Helpful hints are highlighted with a large exclamation point.



IMPORTANT: Helpful hints are found here.

- If you have any questions, we're here for you! Give our customer care team a call at 1-800-284-3948!
-

WARNINGS!

Retain these instructions for future reference.

Warning—Prevent Tip Overs!

- Chair holds up to 150 pounds (68 kilograms)
 - The desk and chair must be placed on a hard, flat, level surface.
 - Never place computers, televisions, or other heavy objects on top of the desk or chair.
 - The desk set must be assembled as instructed.
 - For information on how to prevent furniture tip overs in your home, visit AnchorIt.gov.
-

MAINTENANCE:

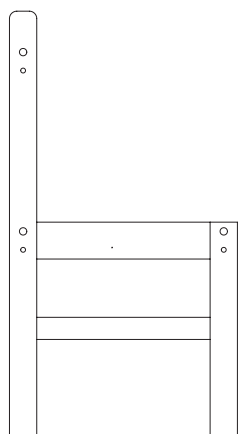
- Ensure the desk and chair continue to function properly and safely by regularly checking the hardware and tightening when necessary.
- Wipe clean with a damp cloth.

PARTS - Be Smart—Sort Your Parts

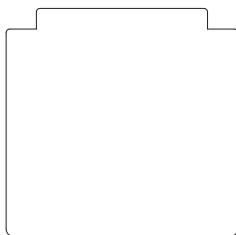
Before you begin assembly, make sure you have all the parts listed below.



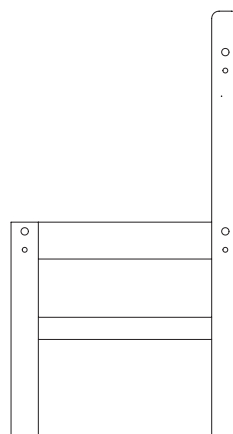
A chair back



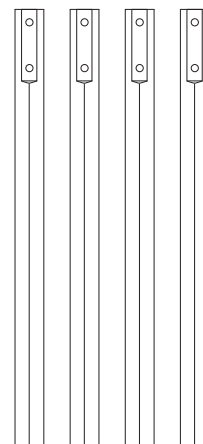
B chair right side



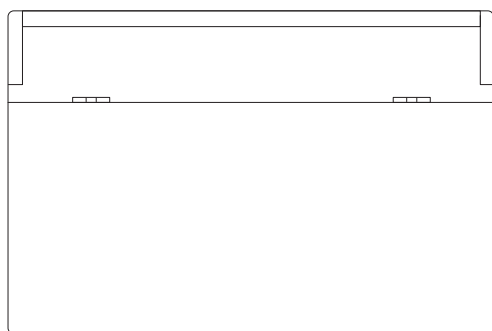
C chair seat



D chair left side



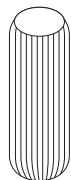
E desk legs (4)



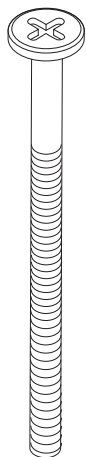
F desk top

HARDWARE

You will need a Phillips head screwdriver (not included) to assemble the desk and chair.



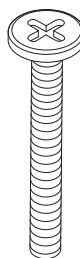
1 wood dowel (6)



2 long bolt (6)



3 barrel nut (6)



4 short bolt (8)



5 lock washer (8)



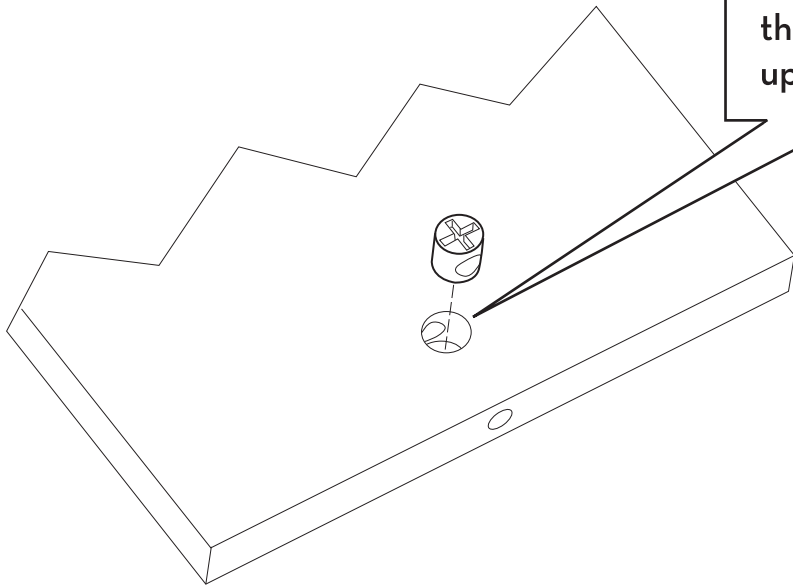
6 washer (8)

!
IMPORTANT: Some packages of hardware may have extra pieces.

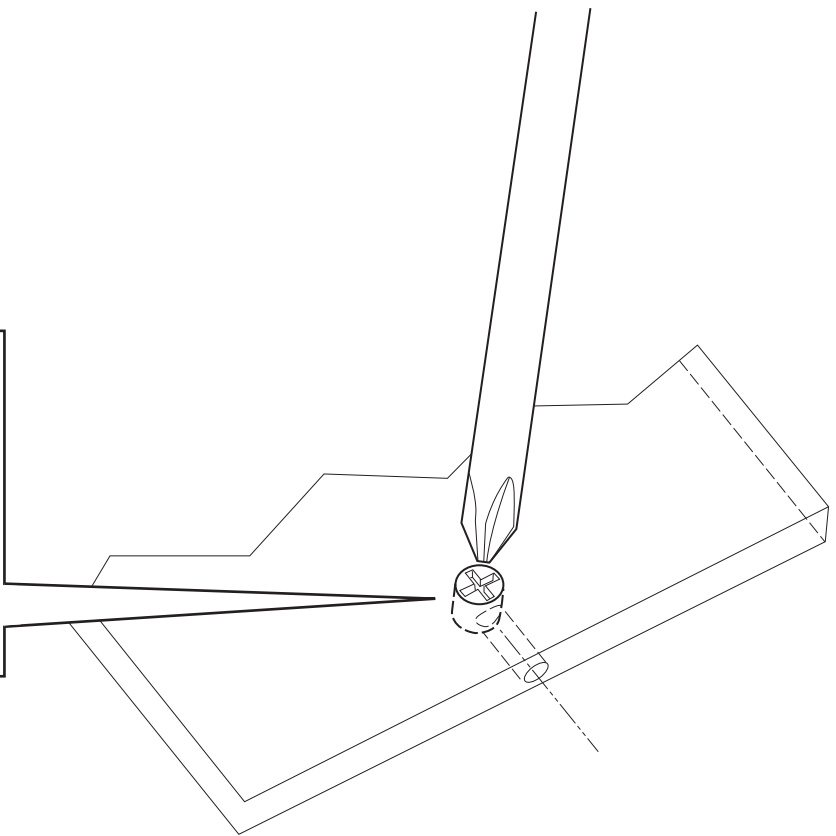
How to Correctly Install Barrel Nuts



IMPORTANT: Press a barrel nut into the hole in the part, making sure the “+” pattern is facing up.

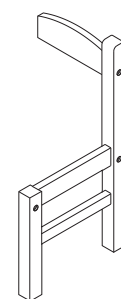
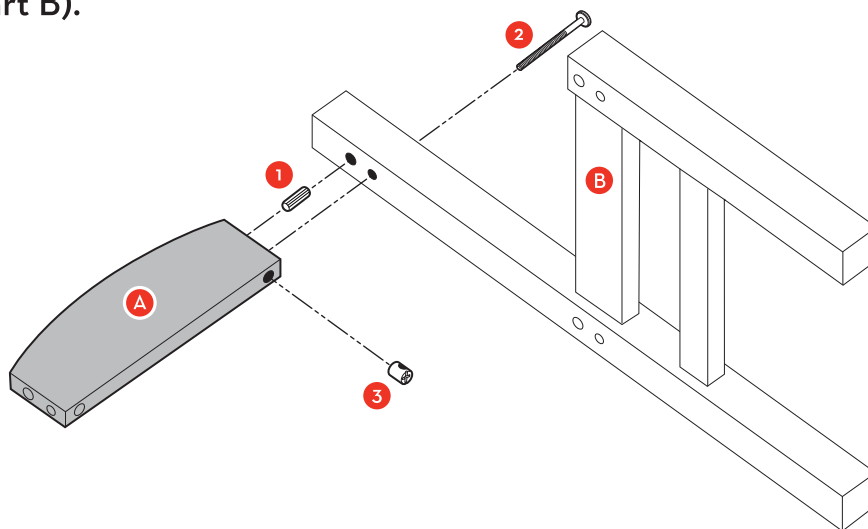
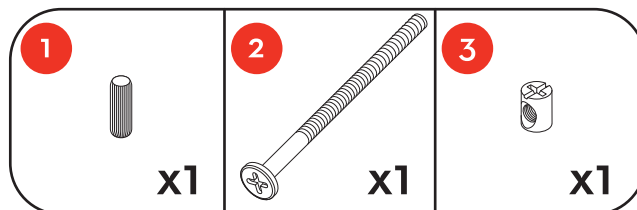


IMPORTANT: Using a Phillips head screwdriver, turn the nut until the “+” is straight and the threaded hole is facing outward to accept the screw.



STEP 1 - Every Journey Begins with the First Step

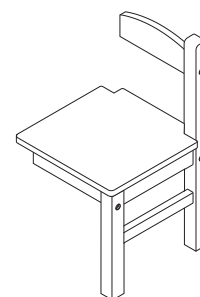
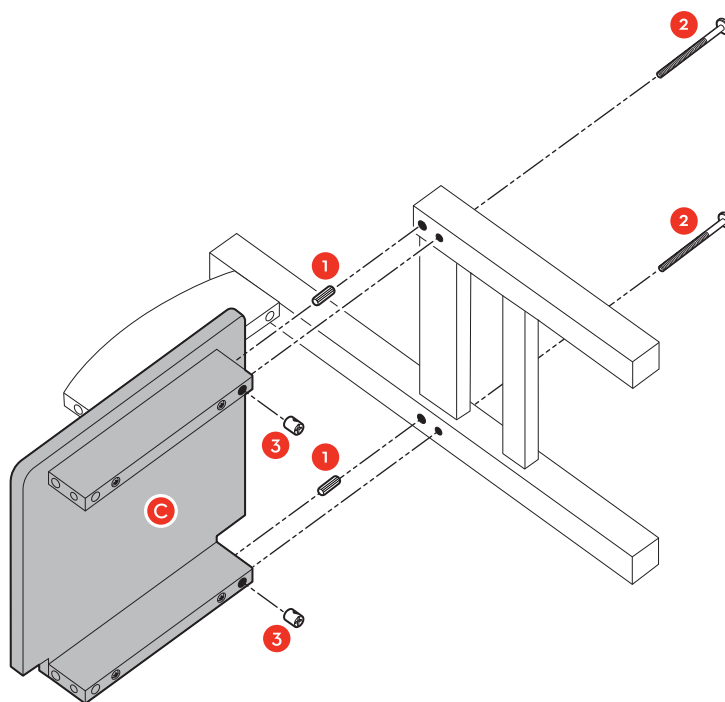
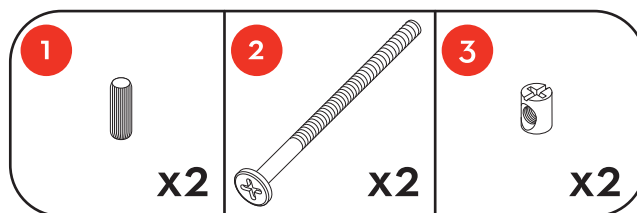
Using a wood dowel (part 1), a long bolt (part 2), and a barrel nut (part 3), attach the chair back (part A) to the chair right side (part B).



Assembled View

STEP 2 - Have a Seat

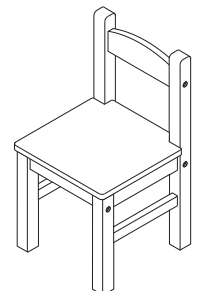
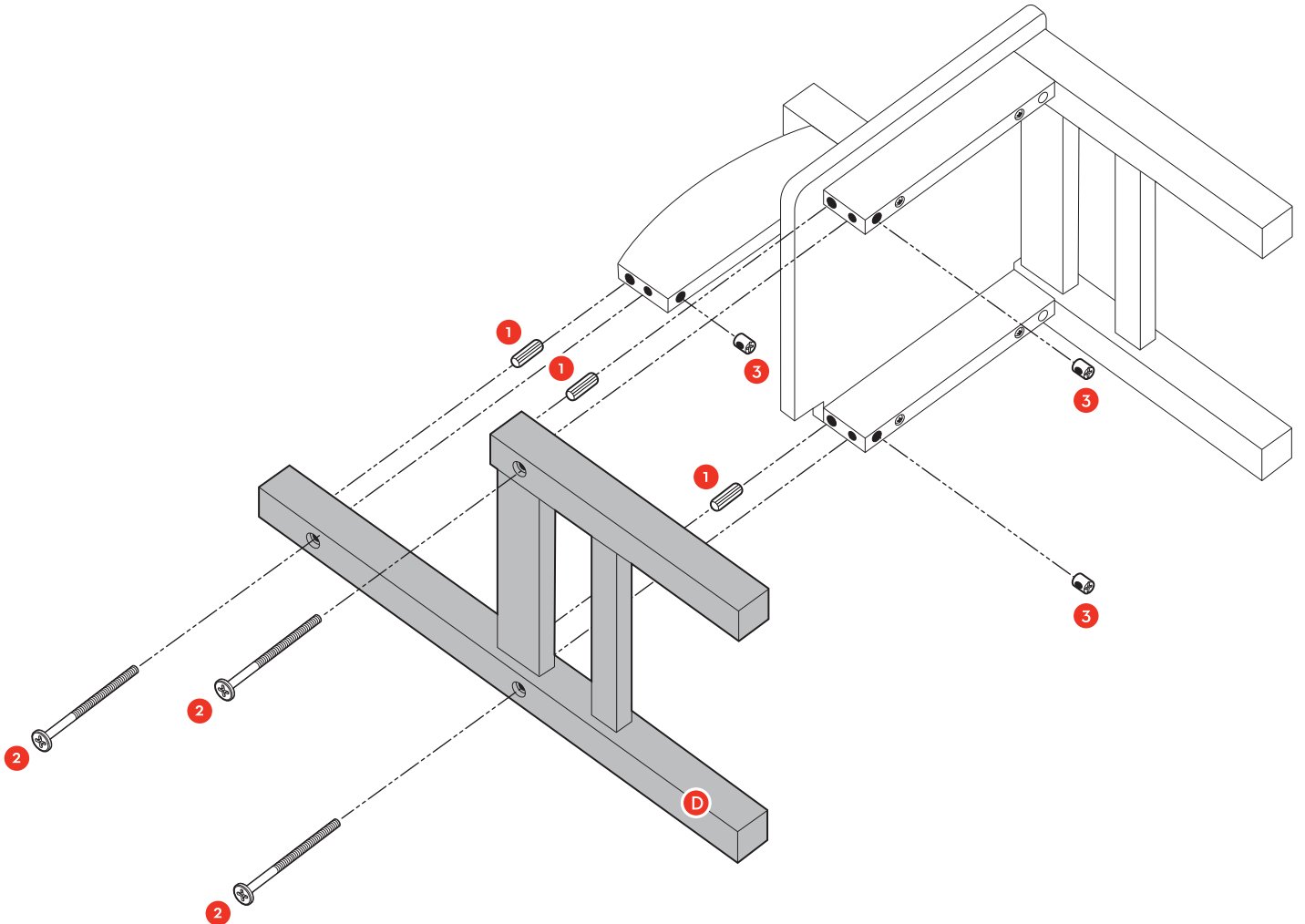
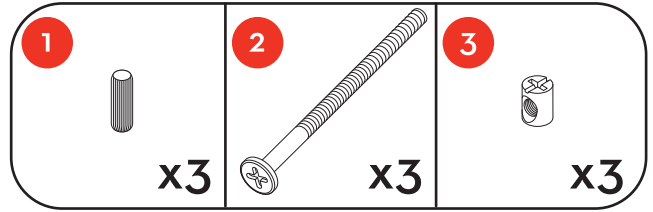
Using two wood dowels (part 1), two long bolts (part 2), and two barrel nuts (part 3), attach the chair seat (part C) to the chair right side.



Assembled View

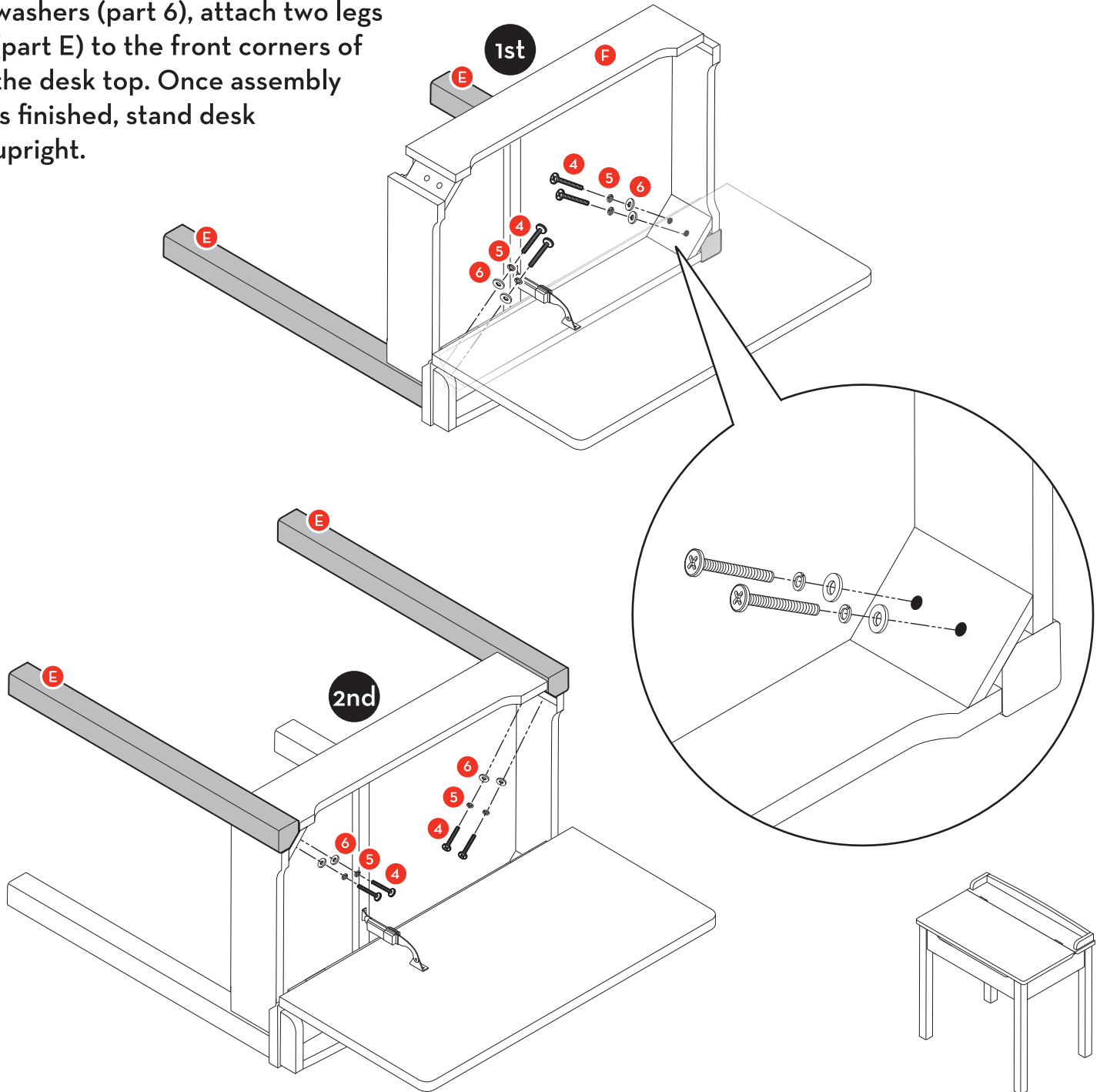
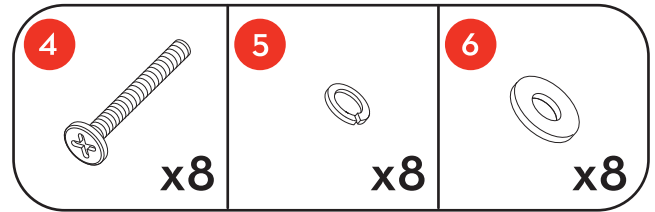
STEP 3 - What's Left

Using three wood dowels (part 1), three long bolts (part 2), and three barrel nuts (part 3), attach the chair left side (part D) to the chair assembly. Once assembly is finished, stand chair upright.



STEP 4 - Top It Off

- First, open the desk top (part F) and lay on its rear as illustrated. Using four short bolts (part 4), four lock washers (part 5), and four washers (part 6), attach two desk legs (part E) to the back corners of the desk top.
- Second, using four short bolts (part 4), four lock washers (part 5), and four washers (part 6), attach two legs (part E) to the front corners of the desk top. Once assembly is finished, stand desk upright.



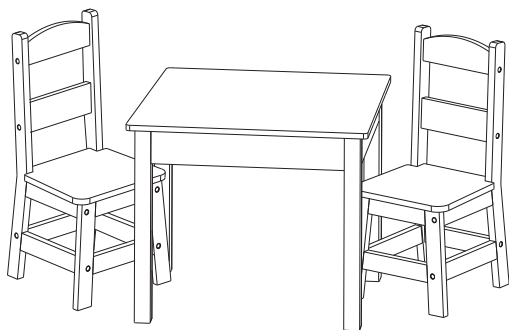
Assembled View

YOU DID IT!

Now the real fun begins—it's time to use your desk and chair for writing, schoolwork, projects, puzzles, games, and more!

ACCESSORIZE

Melissa & Doug offers a full line of top-quality furniture, sized just for kids, that coordinates with your desk and chair! Visit us at MelissaAndDoug.com!



WOODEN TABLES & CHAIRS

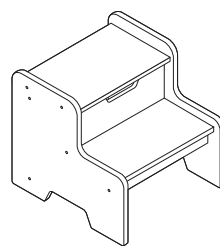
Natural #2427

White #30225

Espresso #30226

Classic #30233

Pastel #30234

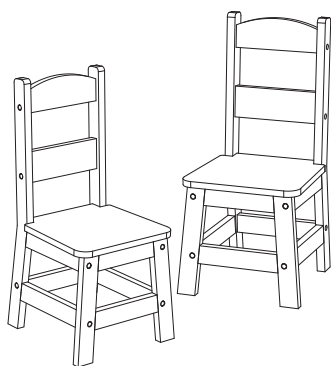


STEP STOOL

Natural #30223

White #30222

Espresso #30224

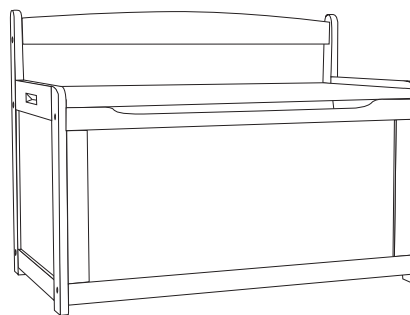


WOODEN CHAIR PAIR

Natural #8789

White #30220

Espresso #30221



WOODEN TOY CHEST

Honey #30227

White #30228

Espresso #30229

