

ASSEMBLY INSTRUCTION

Thank you for purchasing this quality product. Be sure to check all packing material carefully for small parts which have come loose inside the carton during shipment. Identify and count all parts and compare with the part list below. Place all wooden furniture parts on a clean and flat soft surface, such as carpet or rug to prevent from being scratched.

LIST OF PARTS

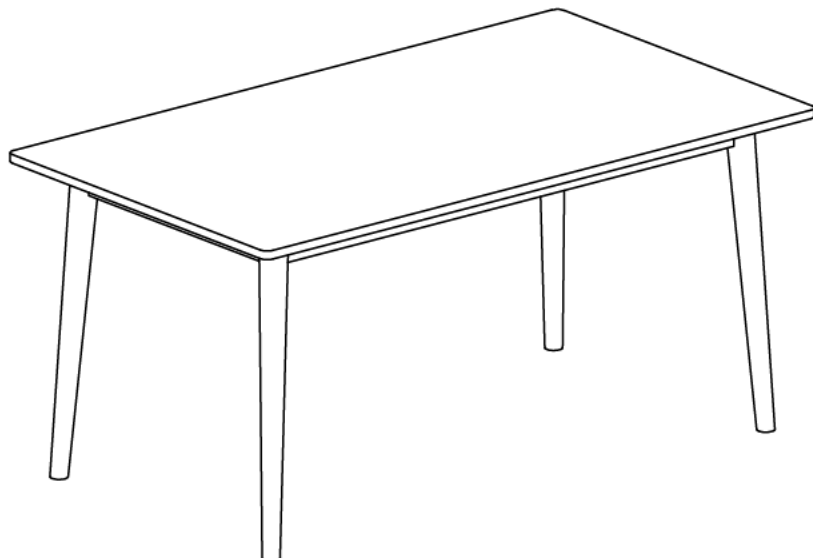
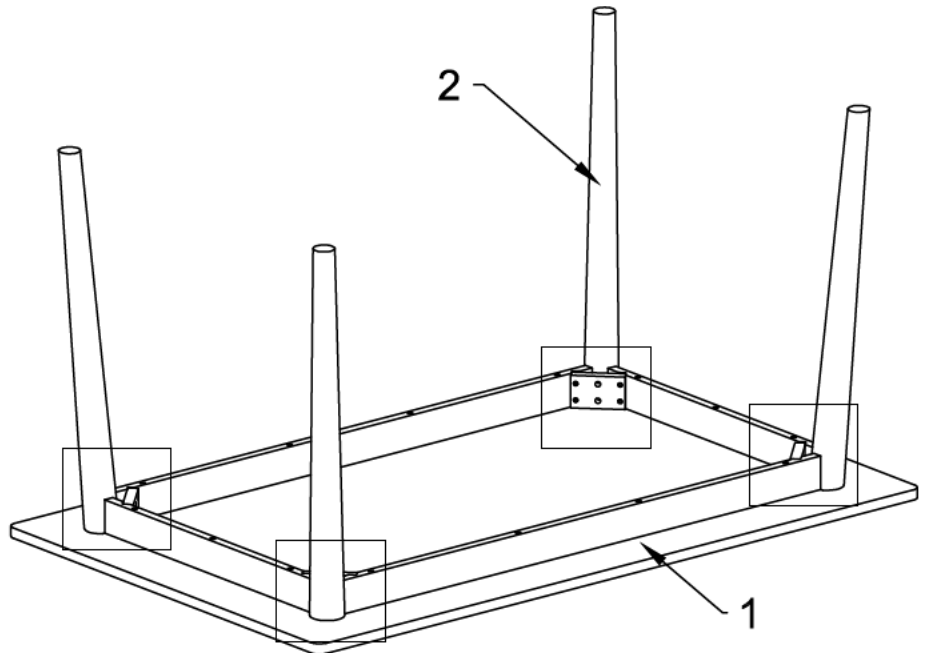
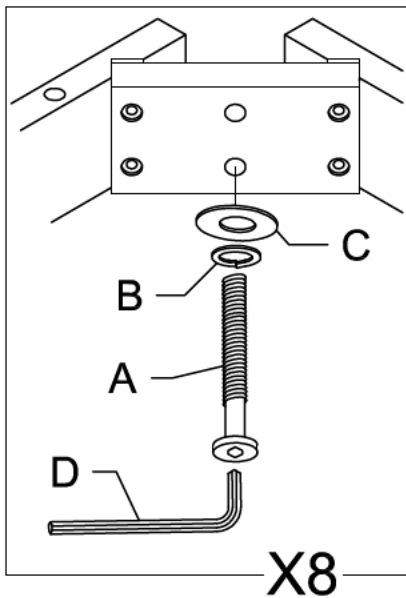
No	Description	Qty
1	Table Top	1 PC
2	Table Leg	4 PCS

HARDWARE LIST

No	Description	Qty
A	JCBC BOLT	8 PCS
B	Spring Washer	8 PCS
C	Flat Washer	8 PCS
D	Allen Key	1 PC

WARNING

-Do Not over Tighten the bolts and screw



ASSEMBLY INSTRUCTION

Thank you for purchasing this quality products. Be sure to check all packing material carefully for small parts which have come loose inside the carton during shipment. Identify and count all parts and compare with the parts list below. Place all wooden furniture parts on a clean and flat soft surface, such as carpet or rug to prevent from being scratched.

LIST OF PARTS

No	Description	Qty
1	Chair Back	2
2	Front Legs	2
3	Apron L	2
4	Apron R	2
5	Chair Seat	2
6	Stretcher	4

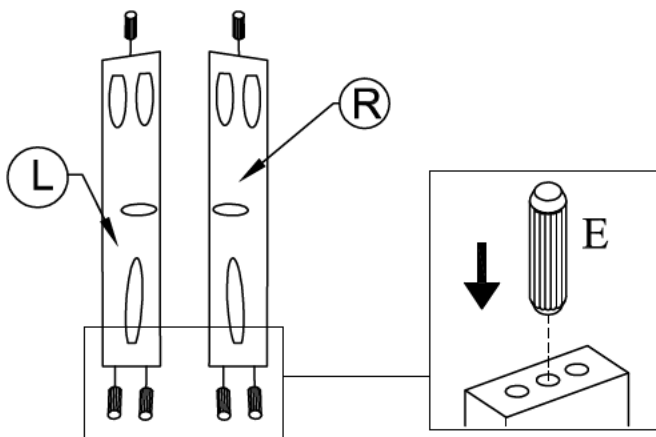
HARDWARE LIST

No	Description	Qty
A	JCBC	12
B	Spring Washer	12
C	Wood Screw (Long)	14
D	Allen Key	1
E	Wood Dowel	12
F	Wood Screw (Short)	8
G	L-Bracket	4

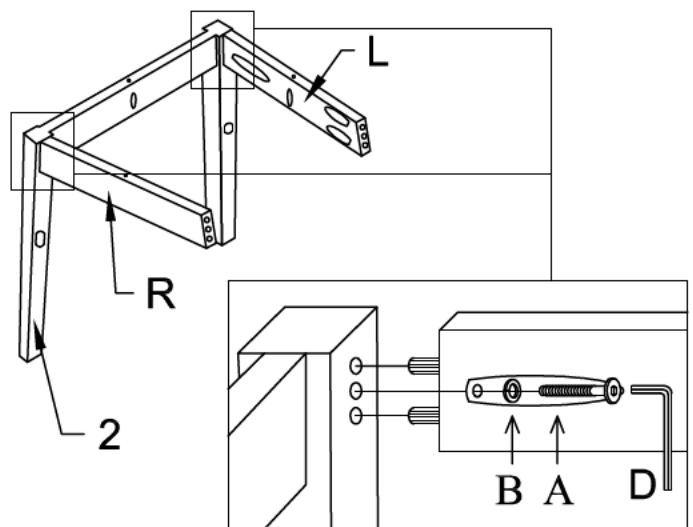
WARNING

-This Chair not suitable for Standing On
-Do Not over Tighten the bolts and screw

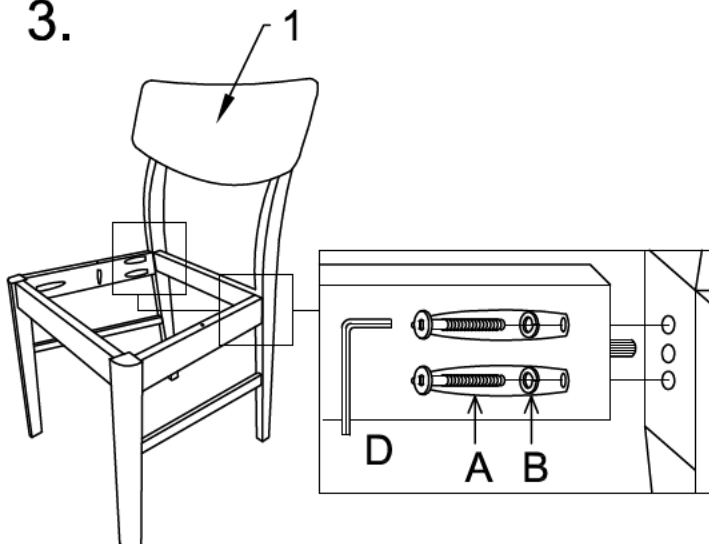
1.



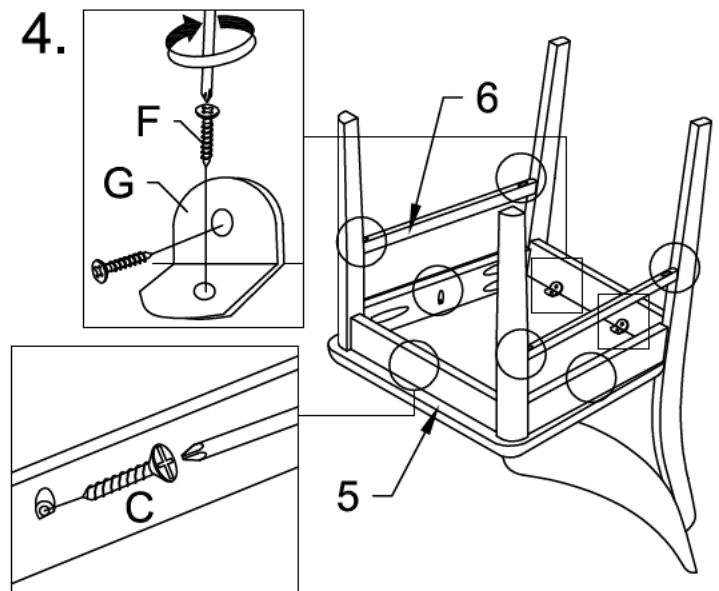
2.



3.



4.



ASSEMBLY INSTRUCTION

Thank you for purchasing this quality product. Be sure to check all packing material carefully for small parts which have come loose inside the carton during shipment. Identify and count all parts and compare with the part list below. Place all wooden furniture parts on a clean and flat soft surface, such as carpet or rug to prevent from being scratched.

LIST OF PARTS

No	Description	Qty
1	Bench Top	1 PC
2	Bench Legs	4 PCS

HARDWARE LIST

No	Description	Qty
A	JCBC BOLT	8 PCS
B	Spring Washer	8 PCS
C	Flat Washer	8 PCS
D	Allen Key	1 PC

WARNING

-Do Not over Tighten the bolts and screw

1.

