



Patio Chaise Lounge

ASSEMBLY MANUAL



MODEL#:LLFZ9392

Missing part? Damaged? Contact us via email at

service@domioutdoorliving.com

www.domioutdoorliving.com

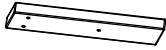



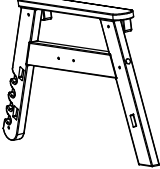
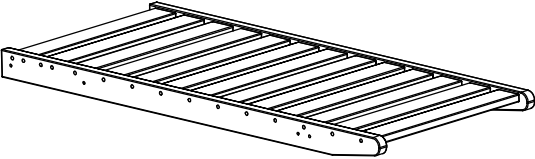
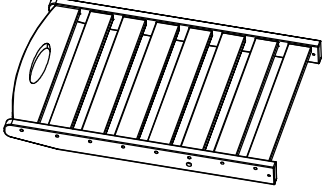

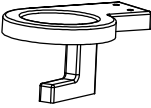
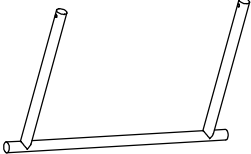
BEFORE STARTING ASSEMBLY

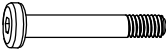
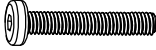





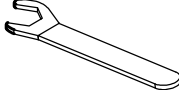

- ① Please check all parts and components to ensure that there are no damages or missing items BEFORE starting the construction of the product.
- ② For ease of construction, you may need a Power Drill (Cordless, Variable Speed).
- ③ It would be much easier to assemble the product with two or more people.
- ④ Some parts have metal edges. Please be careful when handling components.
- ⑤ Cleaning tips: For a quick clean, simply wipe with soap and water; for a deep clean, use a clean cloth to apply a solution of 1/3 bleach and 2/3 water to the lumber, let it sit for a few minutes (this won't affect the color), then loosen dirt and debris in surface grooves with a soft-bristle brush and rinse with a hose.

IMPORTANT: Please contact Customer Service if you have any problems or discover any missing parts.



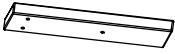
USA & Canada:
1-833-807-3550

A		1
B		1
C		4
D		1
E		1
F		1
G		1
H		2
I		1
J		1

1	 <p>M6X60</p>	10
2	 <p>M6X55</p>	2
3	 <p>M6X50</p>	2
4	 <p>st6*60</p>	8
5	 <p>M6X30</p>	1
6	 <p>D6</p>	14
7	 <p>M6</p>	14
8		1
9	 <p>S4</p>	1

Step1

(A) 1X



(B) 1X



(C) 1X

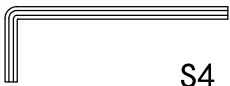


(4) 2X

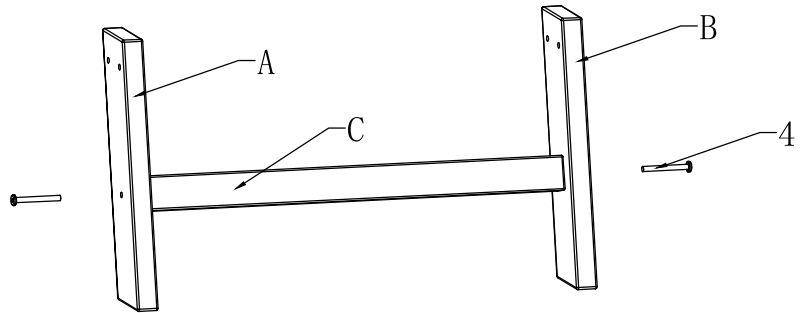


st6*60

(9) 1X



S4



Attach Brace #C to Leg #A and Leg #B with 2 Screws #4.

Step2

(C) 3X



(D) 1X



(E) 1X



(4) 6X

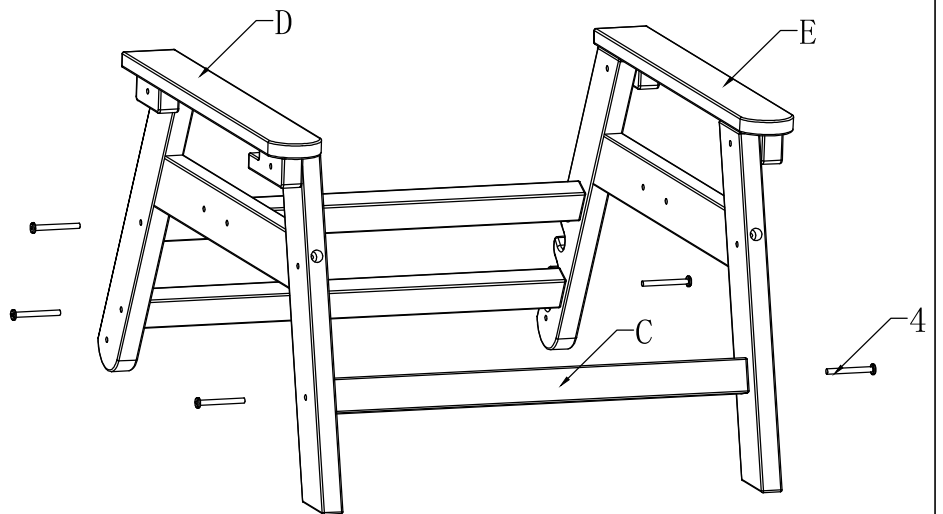


st6*60

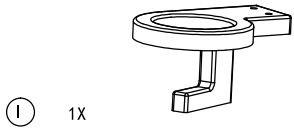
(9) 1X



S4



Attach 3 Brace #C to Armrest Part#D and Armrest Part#E with 6 Screws #4.



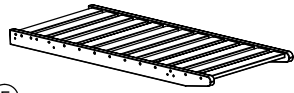
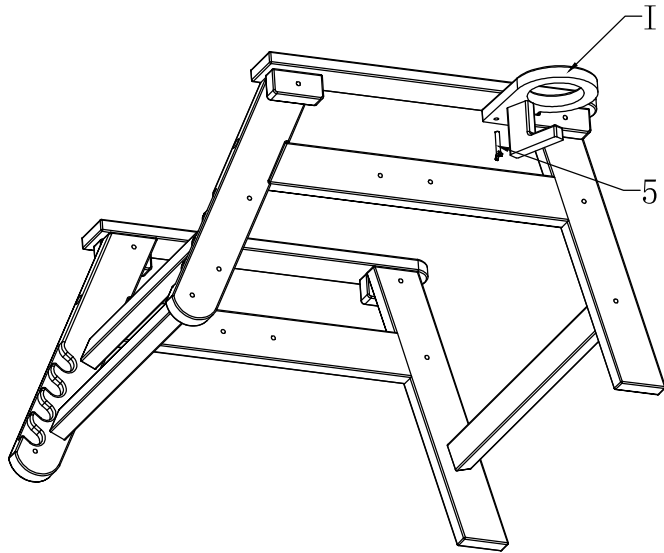
① 1X



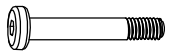
⑤ 1X M6X30

Step3

Attach the Cup holder #1 with Bolts #5.



⑦ 1X



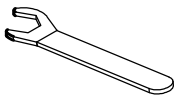
① 8X M6X60



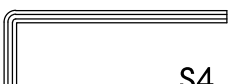
⑥ 8X D6



⑦ 8X M6

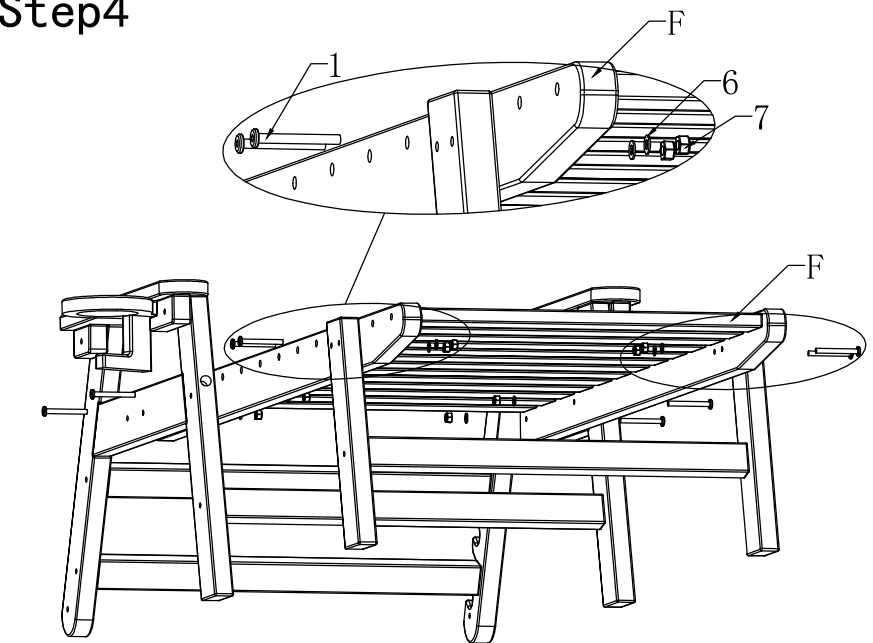


⑧ 1X



⑨ 1X S4

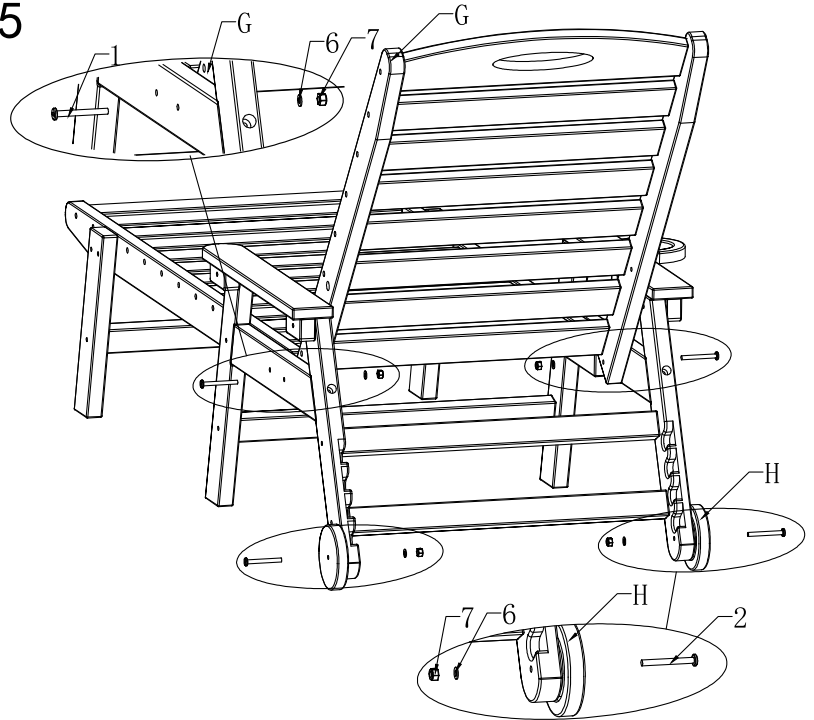
Step4



Attach the Seat Slats#F to assembled related structure with 8 Bolts#1,Washers#6 and Nuts#7.

Ⓒ	1X	
Ⓗ	2X	
①	2X	M6X60
②	2X	M6X55
⑥	4X	D6
⑦	4X	M6
⑧	1X	
⑨	1X	S4
Ⓙ	1X	
③	2X	M6X50
⑥	2X	D6
⑦	2X	M6
⑧	1X	
⑨	1X	S4

Step5



(1) Attach Backrest Slats#G with 2 Bolts#1, Washers#6 and Nuts#7.
 (2) Attach the Wheels#H to the bottom of the chair with 2 Bolts#2, Washers#6 and Nuts#7.

Step6



Attach Support Part#J with 2 Bolts#3, Washers#6 and Nuts#7



Thanks for your purchase.

At domi outdoor living, we believe in our products.

That's why we provide a 12-month warranty and friendly, easy-to-reach after-sales service. So, if you have any questions about our product or assembly, please feel free to contact us. We are here for you.

Support:  

After-sales contact email:

service@domioutdoorliving.com

Business cooperation contact email:

marketing@domioutdoorliving.com

Please have your order ID available if you reach out for support.

If you have damaged parts or product, please send us photos for an immediate response.