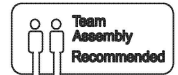
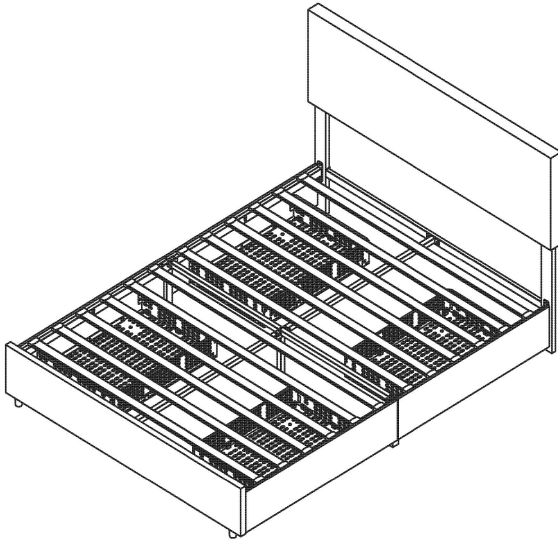
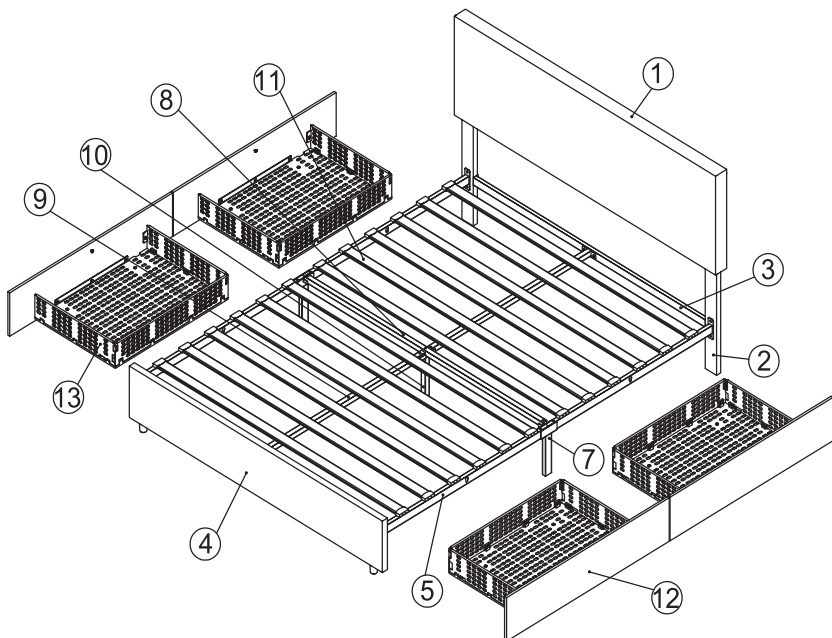


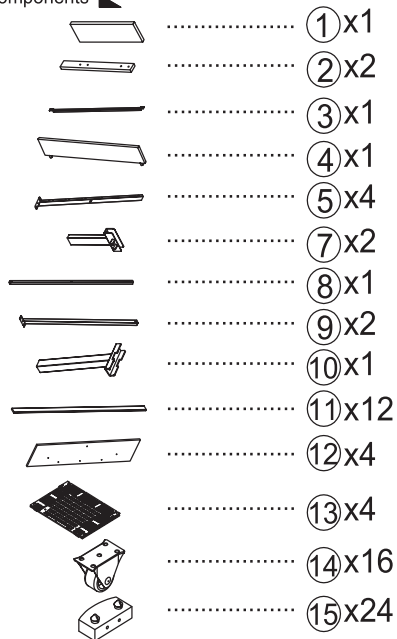
Bed Frame Installation Manual





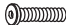

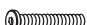



Note: Don't tighten all screws during installation.

Components

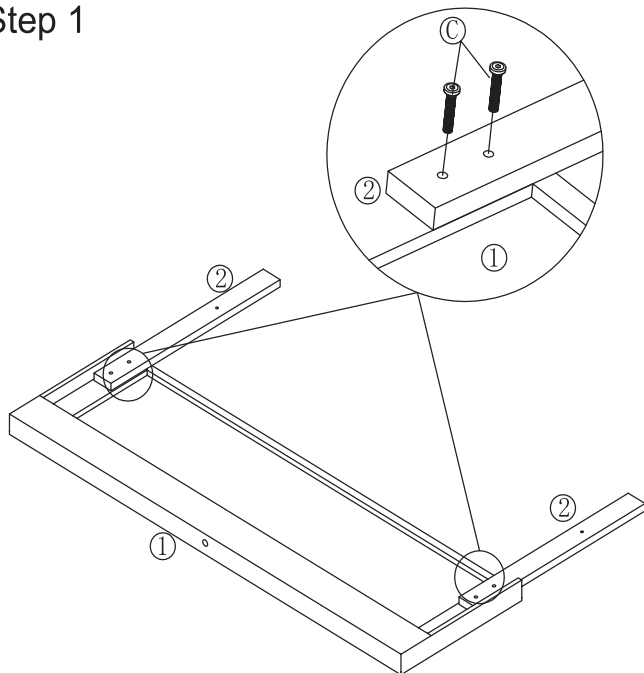
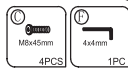


Screws & Tools

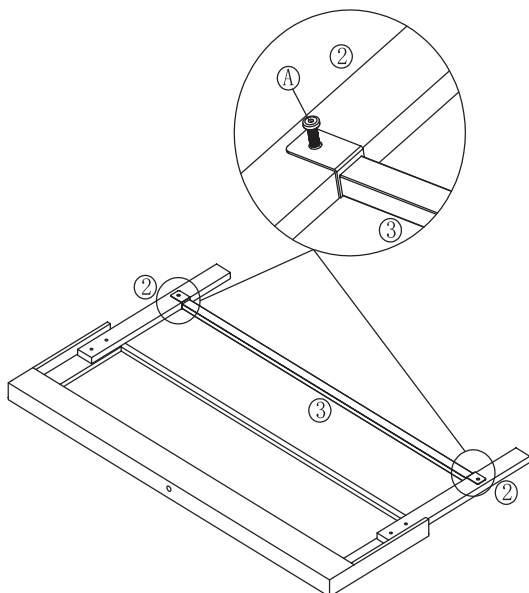
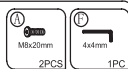
Ⓐ		M8x20mm	x14
Ⓑ		M8x35mm	x4
Ⓒ		M8x45mm	x5
Ⓓ		M6X15mm	x44
Ⓔ		M8X60mm	x4
Ⓕ		4X4mm	x1

Check all the components & screws before assembly.
Do not install in case part is missing, contact us to get.

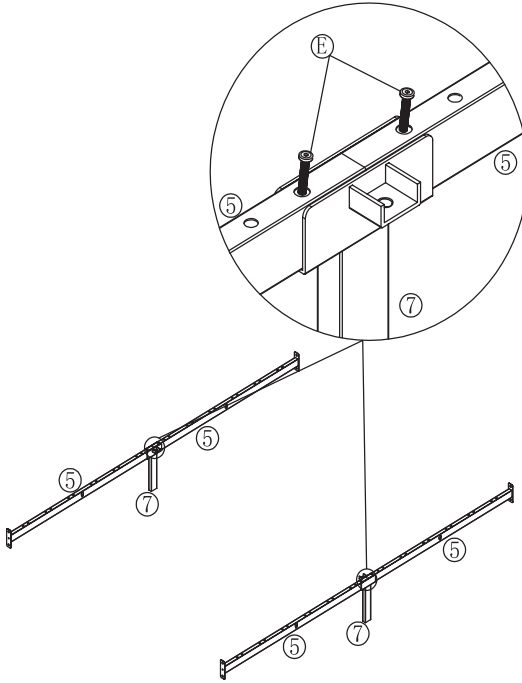
Step 1



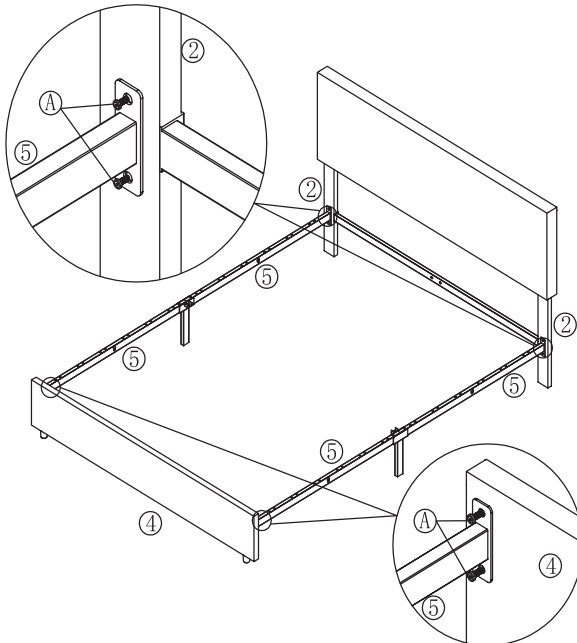
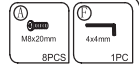
Step 2



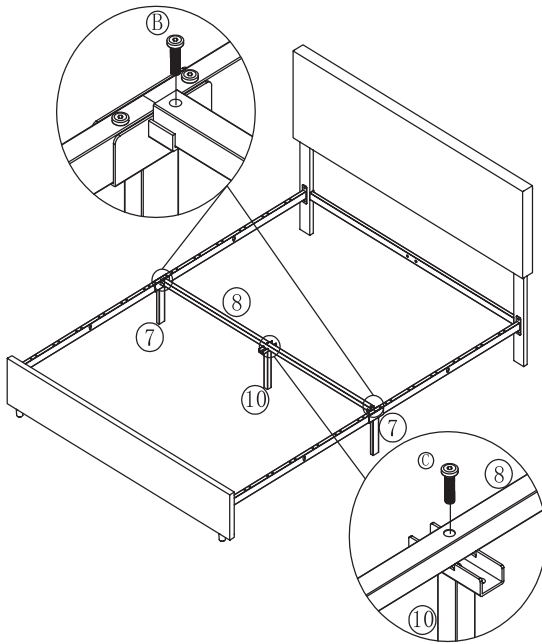
Step 3



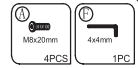
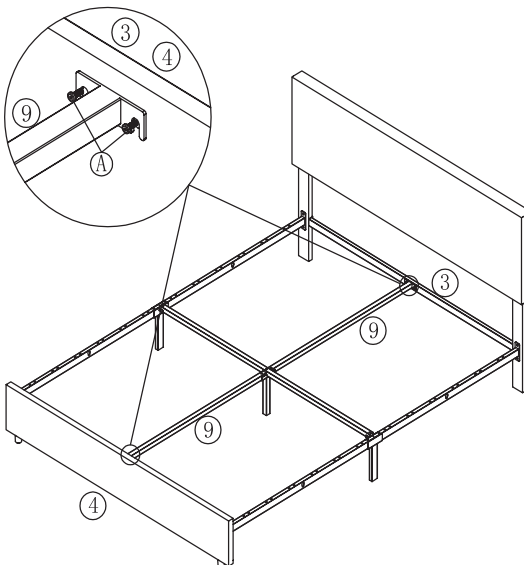
Step 4



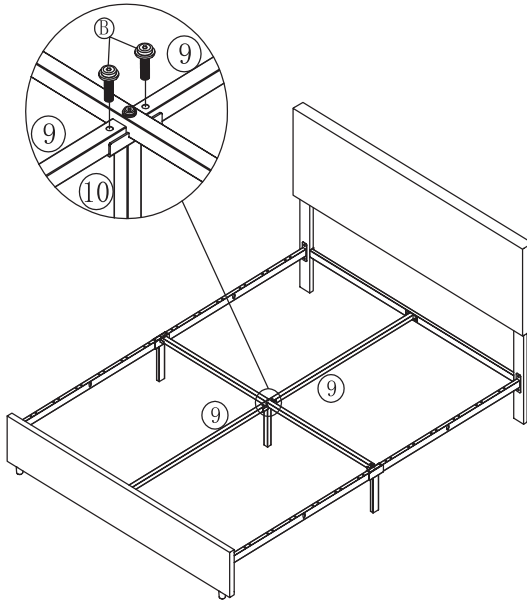
Step 5



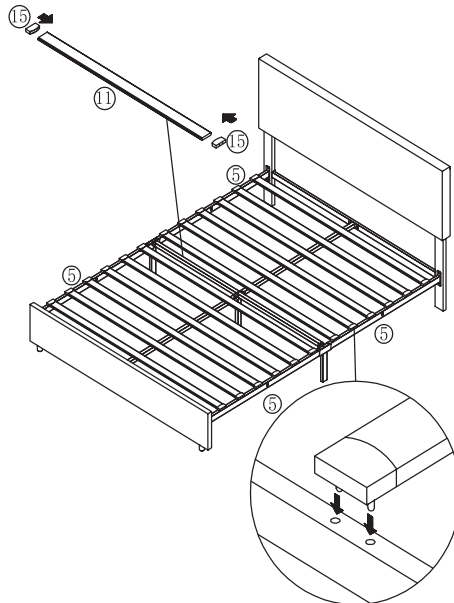
Step 6



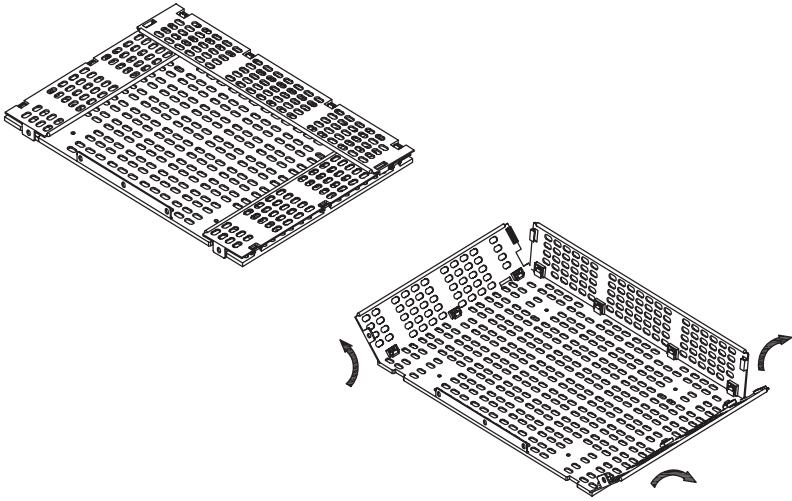
Step 7



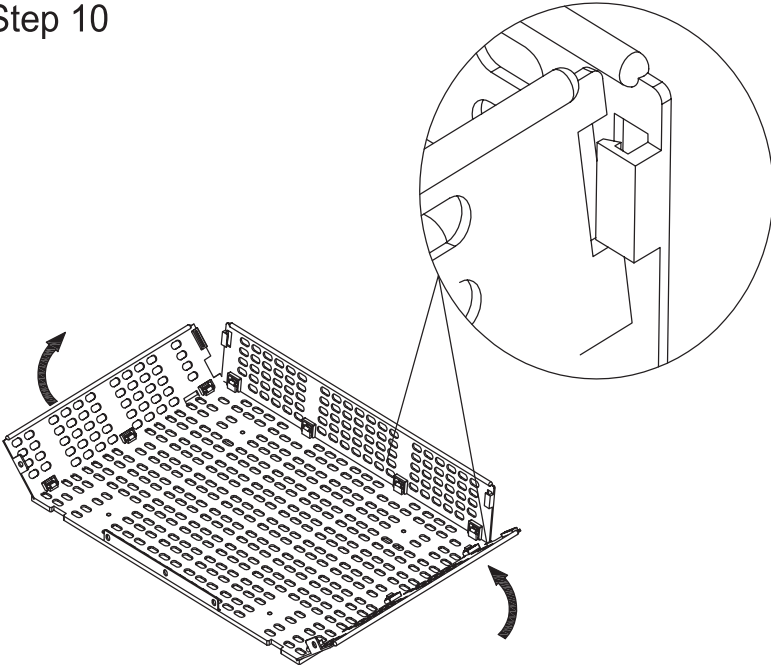
Step 8



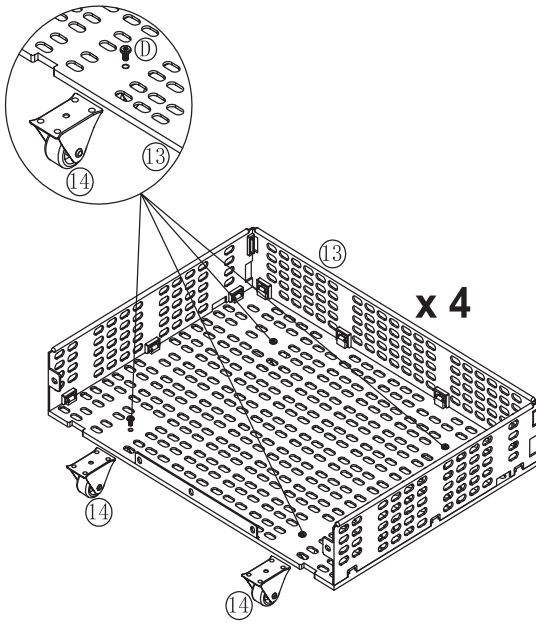
Step 9



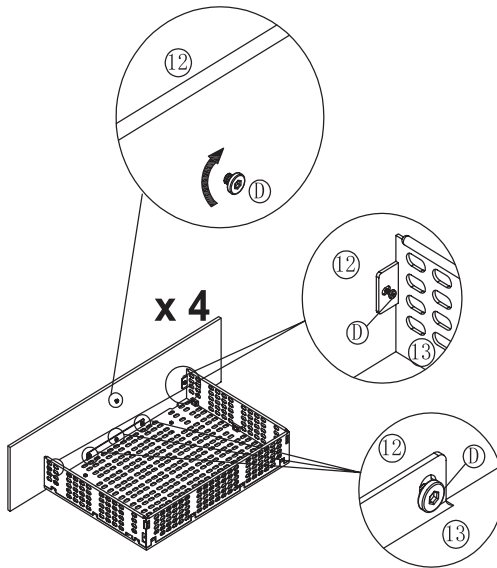
Step 10



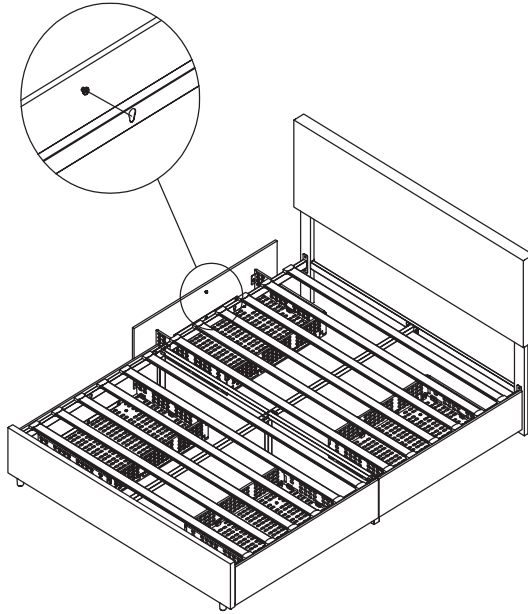
Step 11



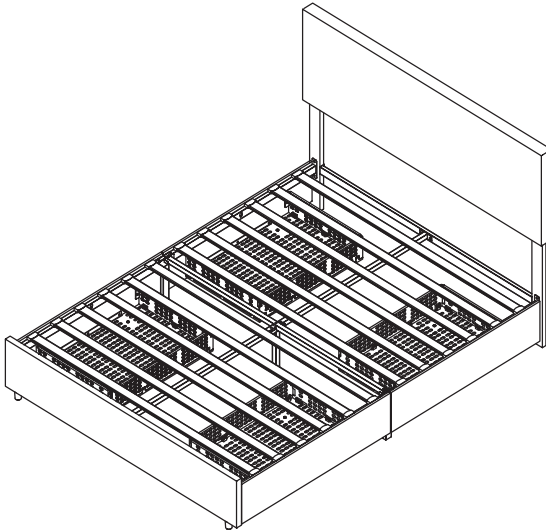
Step 12



Step 11



Step 12



Note:
Pls check and tighten all screws.