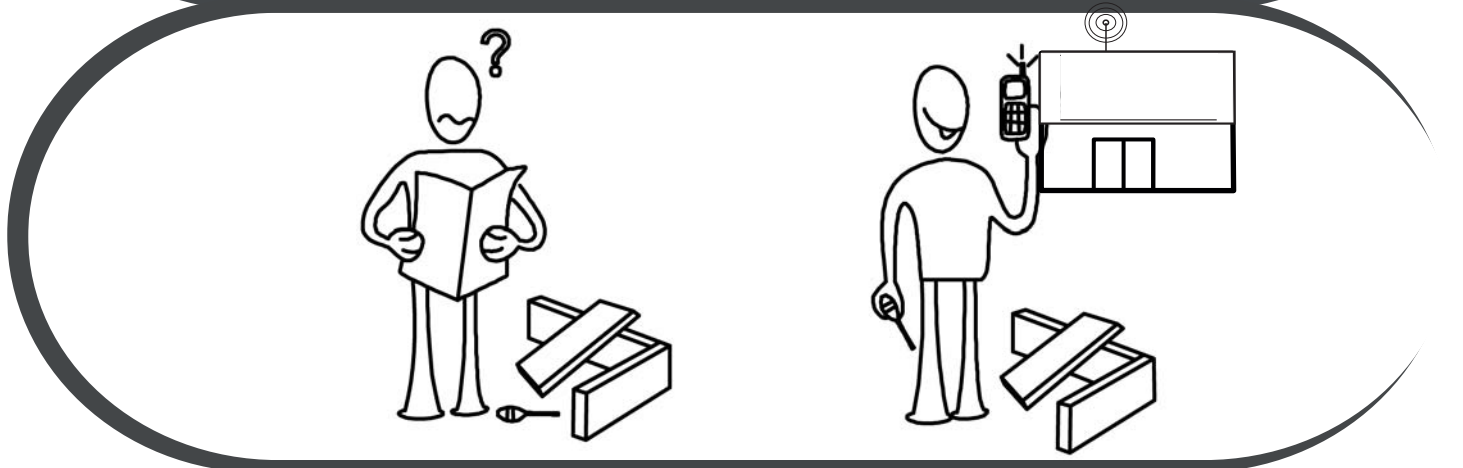
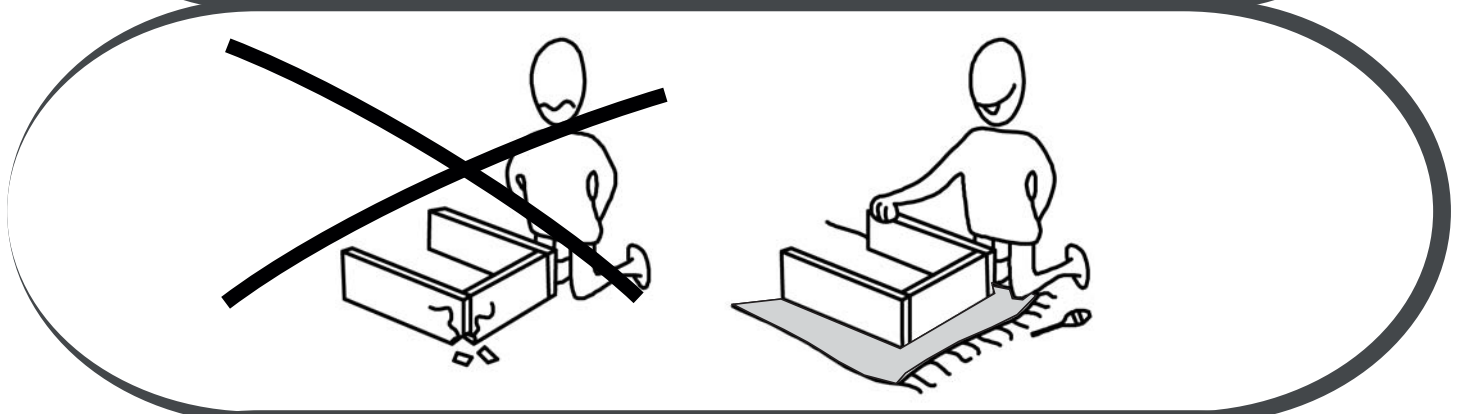
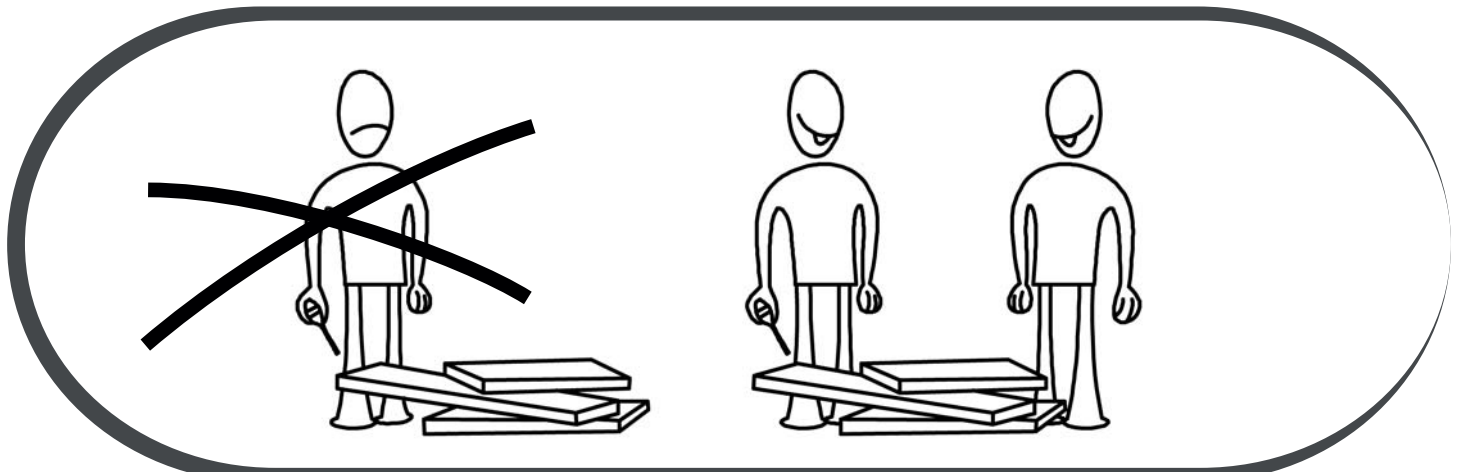


WALL SHELF

ASSEMBLY MANUAL




We support the proper recycling of waste materials, and encourage you to properly recycle any leftover or waste materials. Help us preserve the environment for a better WORLD. Thank you for choosing our products.



Dear Customer,
This product has been extensively tested prior to shipment. However, some components may be missing or damaged during transportation. If this happens, please send a request for the missing or damaged parts. Use the included service card to describe the part completely and we will replace the part as quickly as possible. Before assembling, check the included parts list to verify all parts are available. Prior to assembly, clean all components with a damp cloth. Lift the product with a minimum of two people. For longer distances, carry the product while inside the package, if possible. Product surfaces can be easily cleaned with a damp and soapy cloth, or household cleaners. Do not expose the product to direct and extreme heat, cold, or humidity, as this may damage the product.




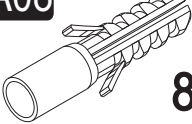
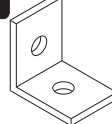
ATTENTION !!!

 This unit should be assembled by two people

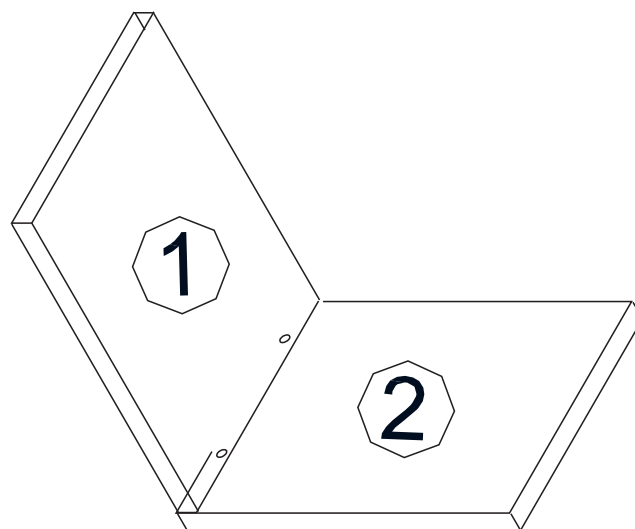
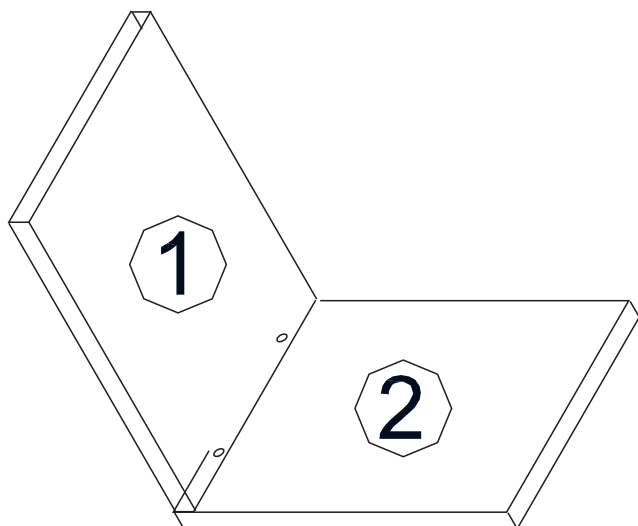
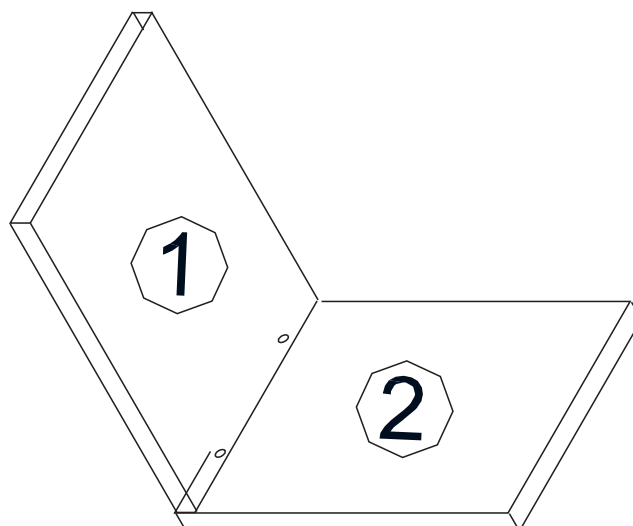
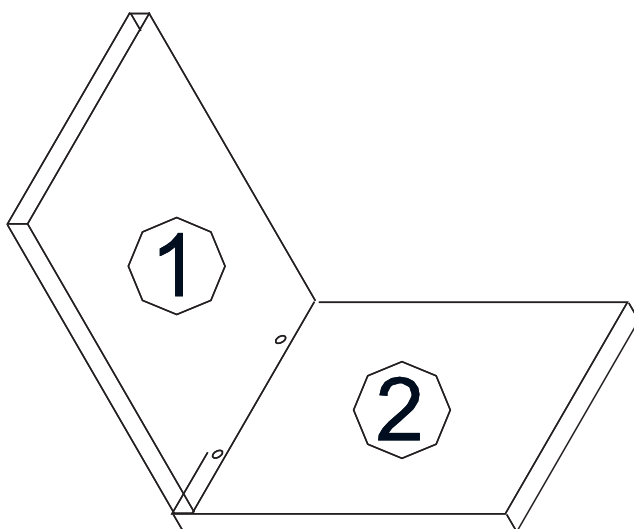


ACCESSORY LIST

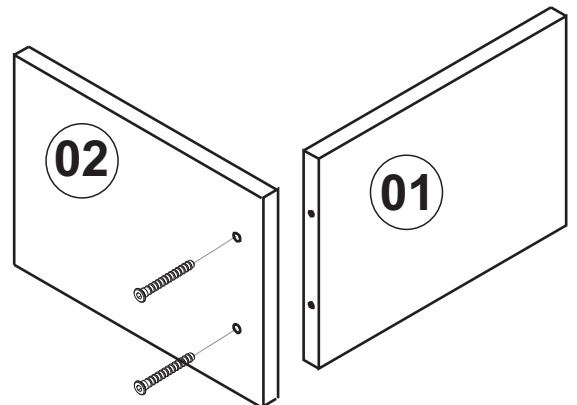
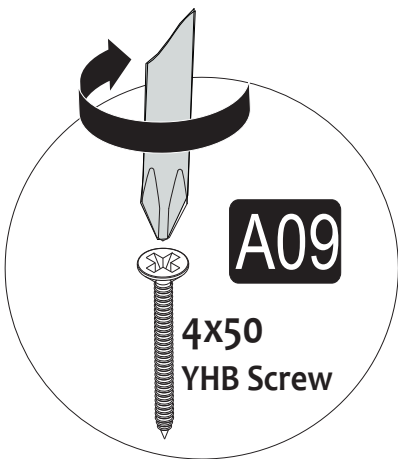
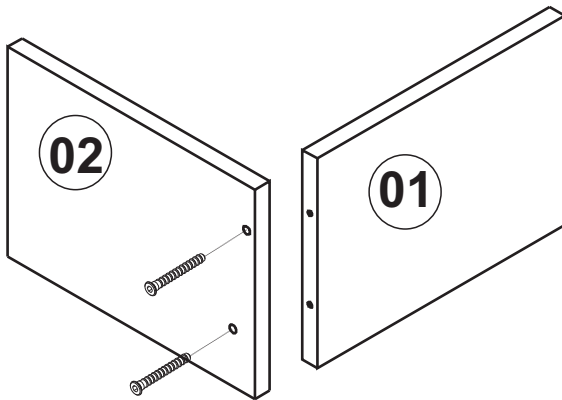
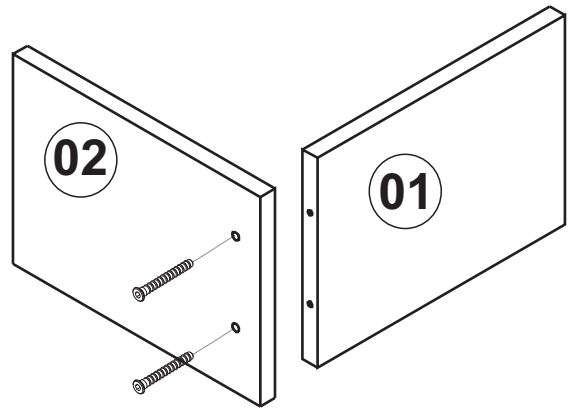
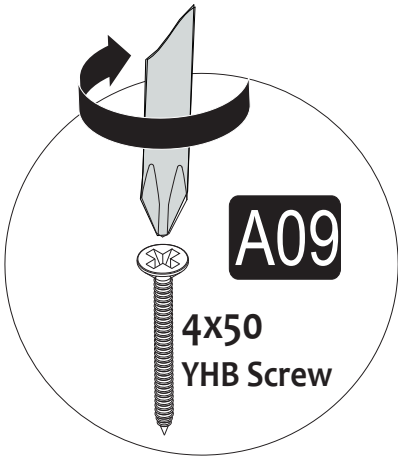
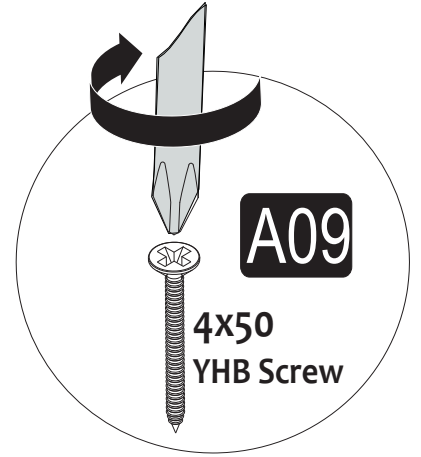
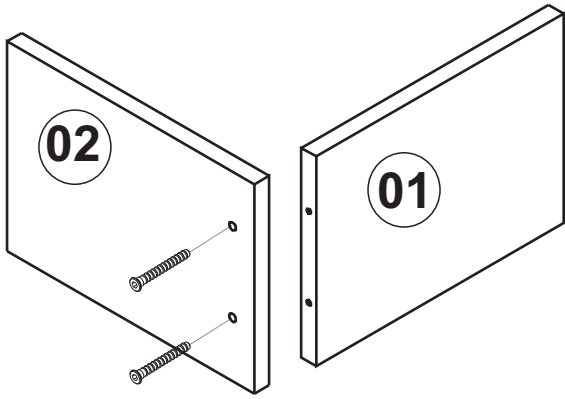
The necessary tools (not included)

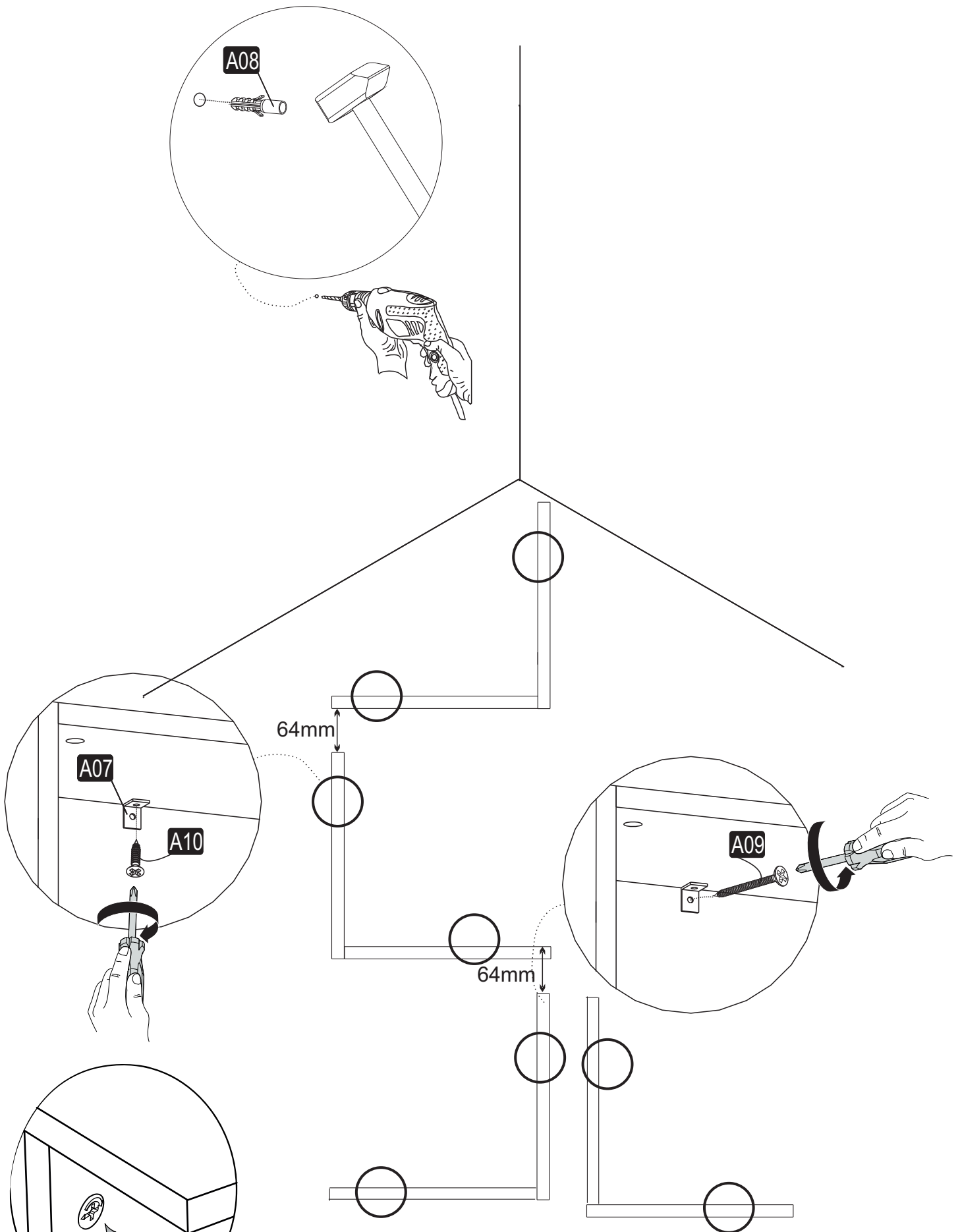
A09 4x50 YHB Screw  16x	A10 3,5x18 YHB Screw  8x	A04 Cover Sticker  8x	A08 Ø8 Anchor  8x	A07 -L- Bracket  8x
--	---	--	---	--

GENERAL VIEW



ASSEMBLY MANUAL





IMPORTANT; The screw supplied with the anti-topple bracket is to be used only for fixing the anti-topple bracket to the furniture. In addition, you will need to choose a screw or fitting which is suitable for securing the bracket to the type of walls you have. If you are unsure about what type of screw to use, contact your local hardware store.



WARNING

CHOKING HAZARD

- This unit contains small parts which could be a choking hazard for small children. Children should be under adult supervision at all times.
- Do not overload the unit. Each shelf has a recommended capacity of 13 pounds, and the total weight on the unit should not exceed 39 pounds for wall shelves.
- Do not climb, step, or stand on the unit.
- Do not mount or attach items to the front, rear, or sides of the unit. This can cause the unit to become unbalanced and fall.
- Do not stack units.
- All units must be secured individually to wall studs using hardware provided. If wall studs are not accessible, consult your local hardware store for appropriate mounting hardware.
- We recommend you hand-tighten screws. Use care not to overtighten if using power tools. Follow proper safety procedures if using power tools and/or ladders.
- We recommend you protect your work surface during assembly to prevent scratching or damage to tabletops, wood floors, etc.
- Failure to follow the instructions listed here could result in bodily injury or damage to personal belongings. Use caution and follow safety procedures.