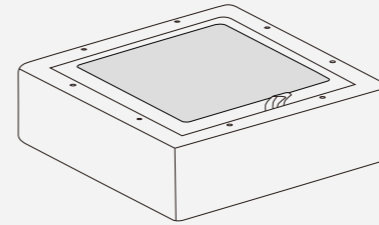


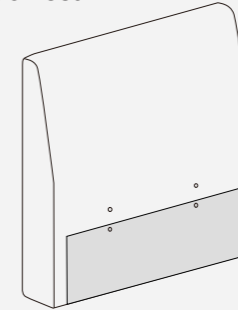
CARTON B PART LIST

D Seat Frame



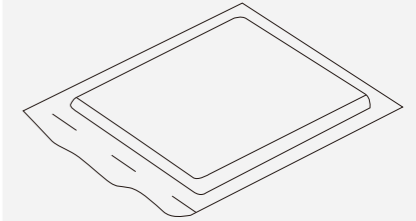
x1

E Backrest



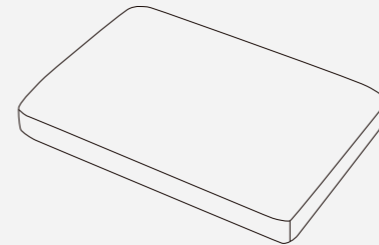
x1

F Seat Cushion



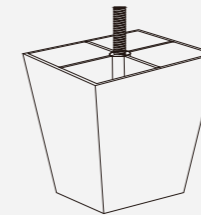
x1

G Pillow



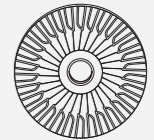
x1

C Plastic Leg



x5

1 Plastic Washer



x5

2 Armrest / Backrest Fitting



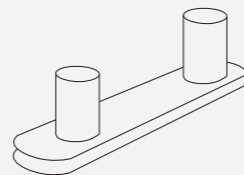
x2

3 Screw



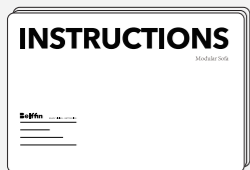
x6

5 Seat Fitting



x2

6 Assembly Instructions



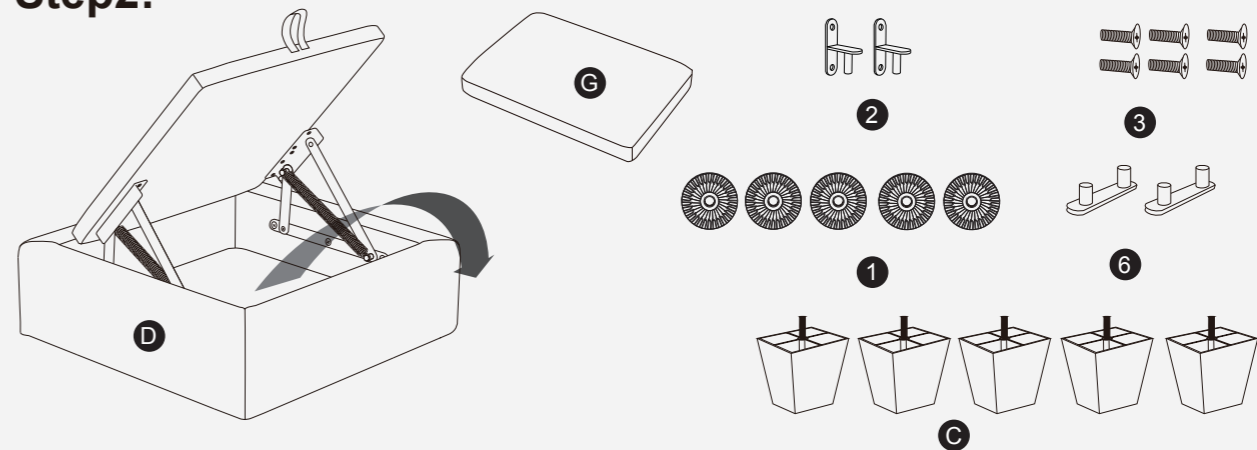
x1

CARTON B ASSEMBLY

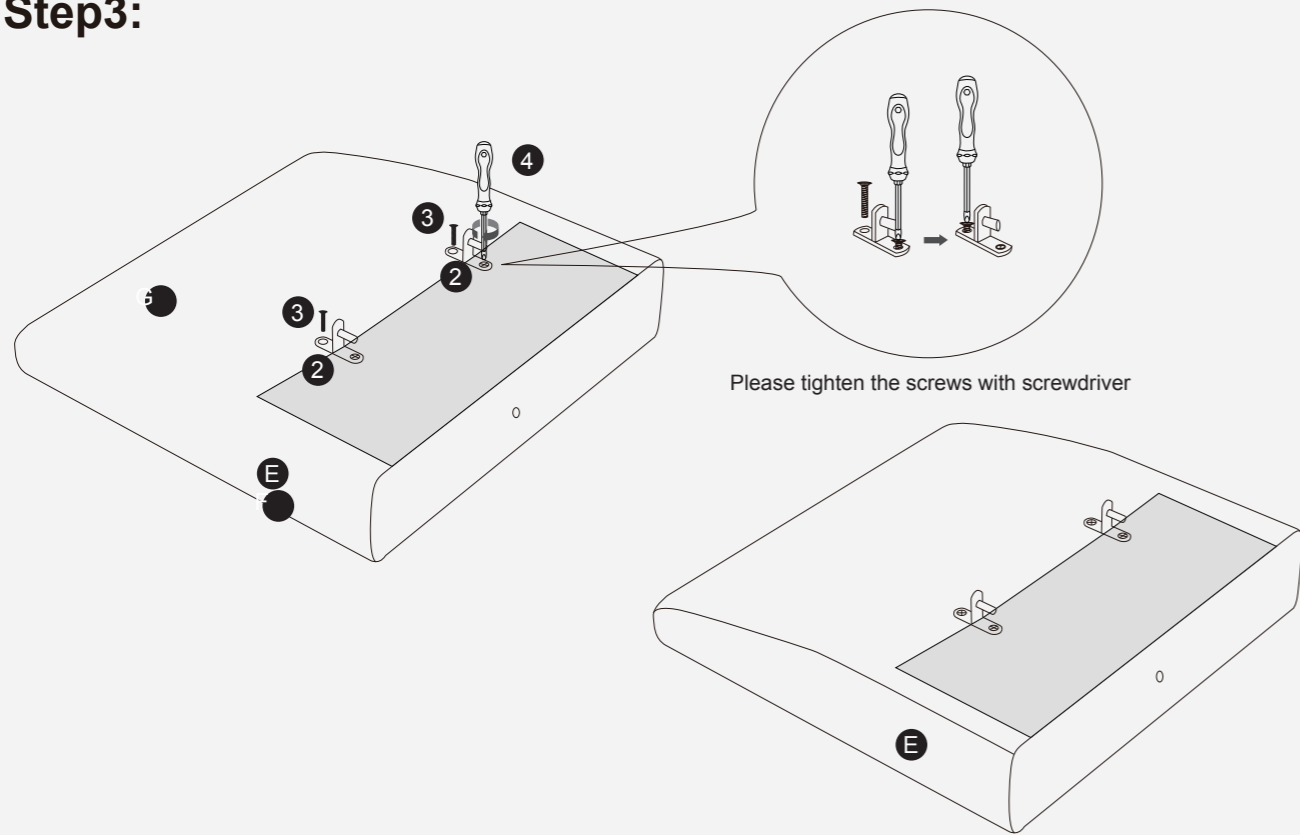
Step1:

Seat frame and backrest are in carton B ,Remove all parts from the carton B, Place them on protected surface or carpet.

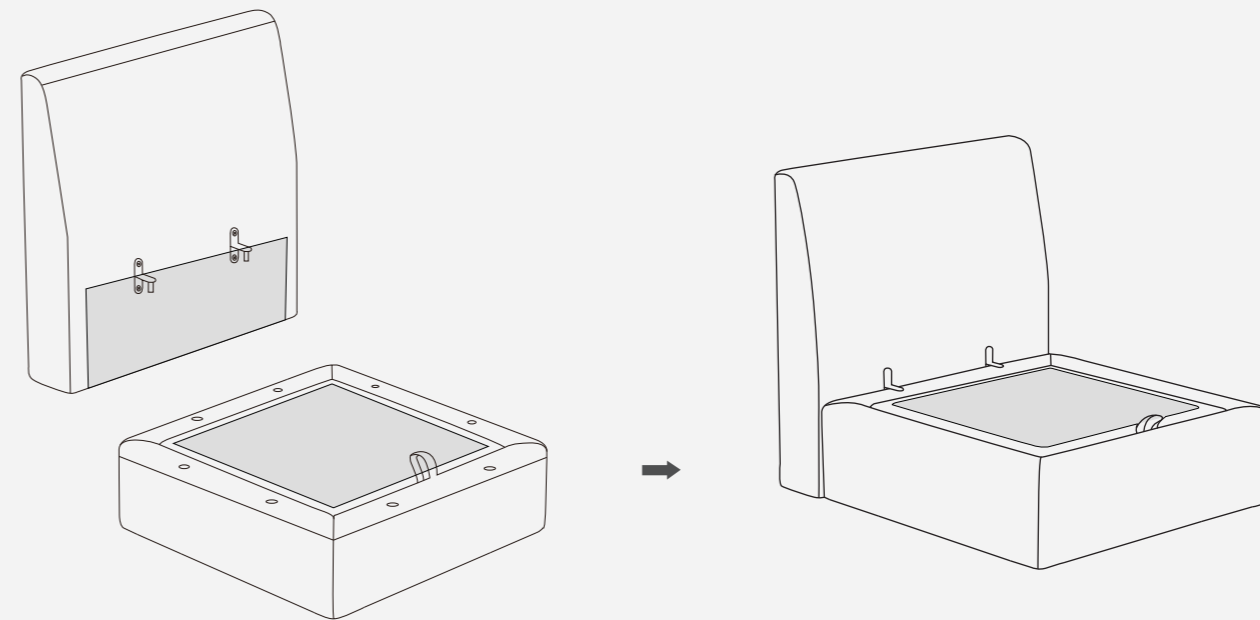
Step2:



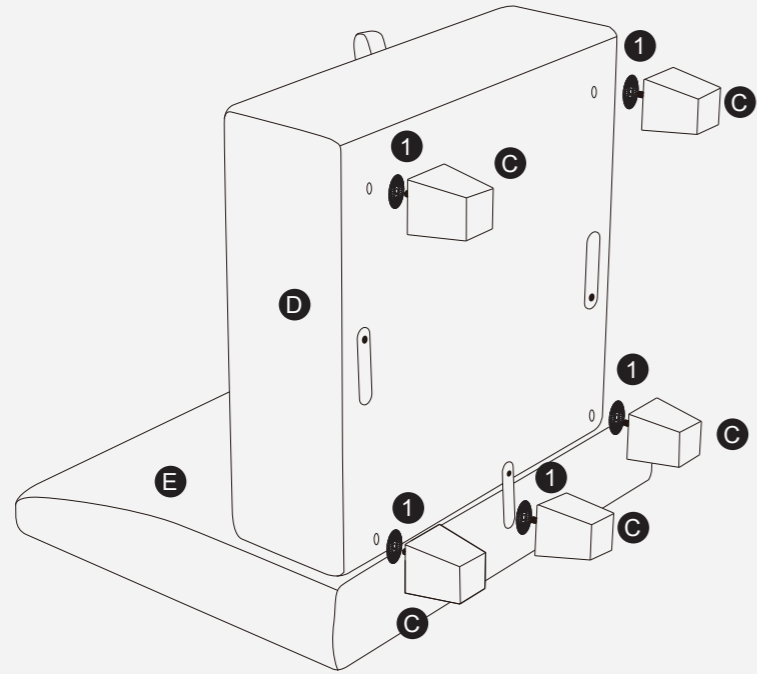
Step3:



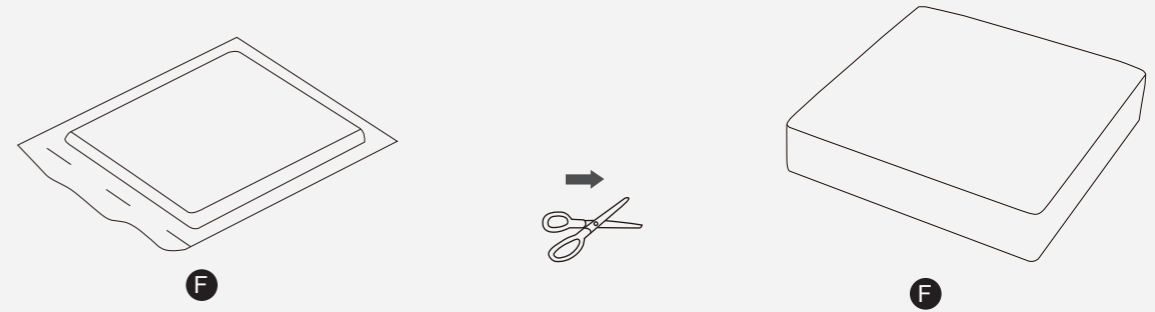
Step4:



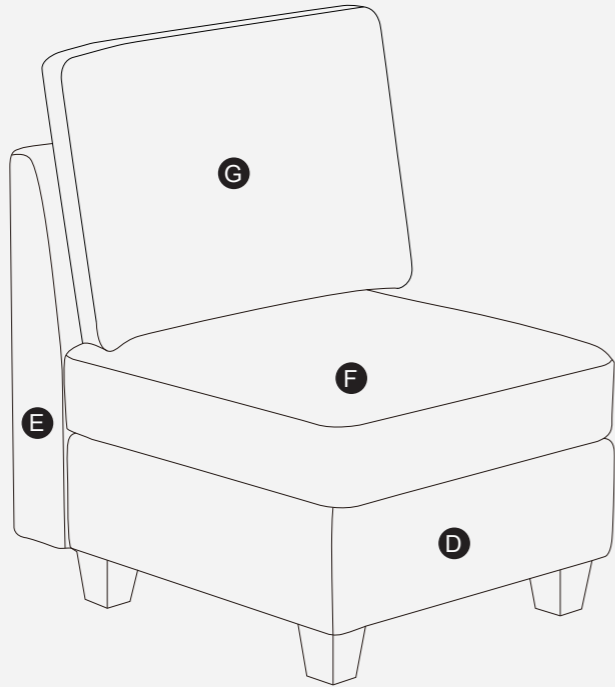
Step5:



Step6:

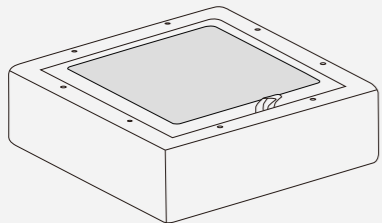


Step7:



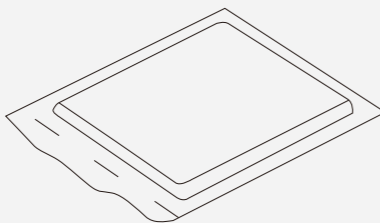
CARTON C PART LIST

D Seat Frame



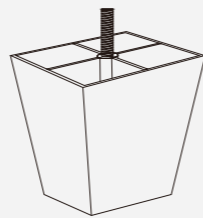
x1

F Seat Cushion



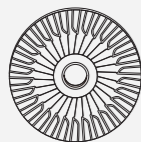
x1

C Plastic Leg



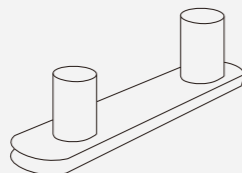
x4

1 Plastic Washer



x4

6 Seat Fitting



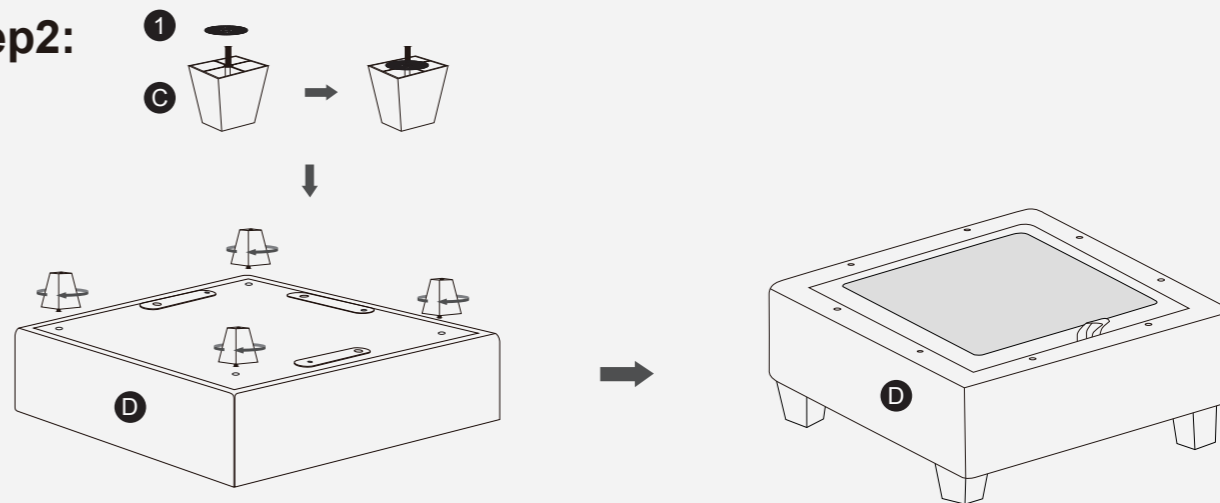
x2

CARTON C ASSEMBLY

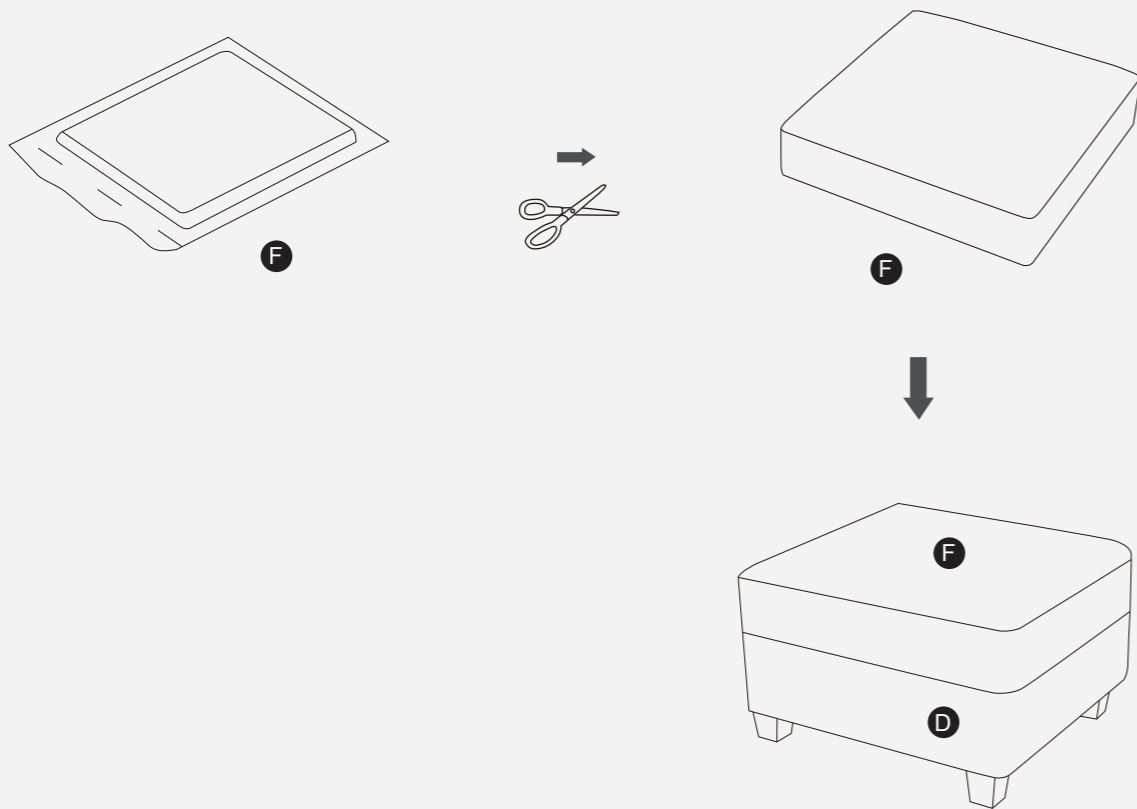
Step1:

Seat frame is in carton C, Remove all parts from the carton C, Place them on protected surface or carpet.

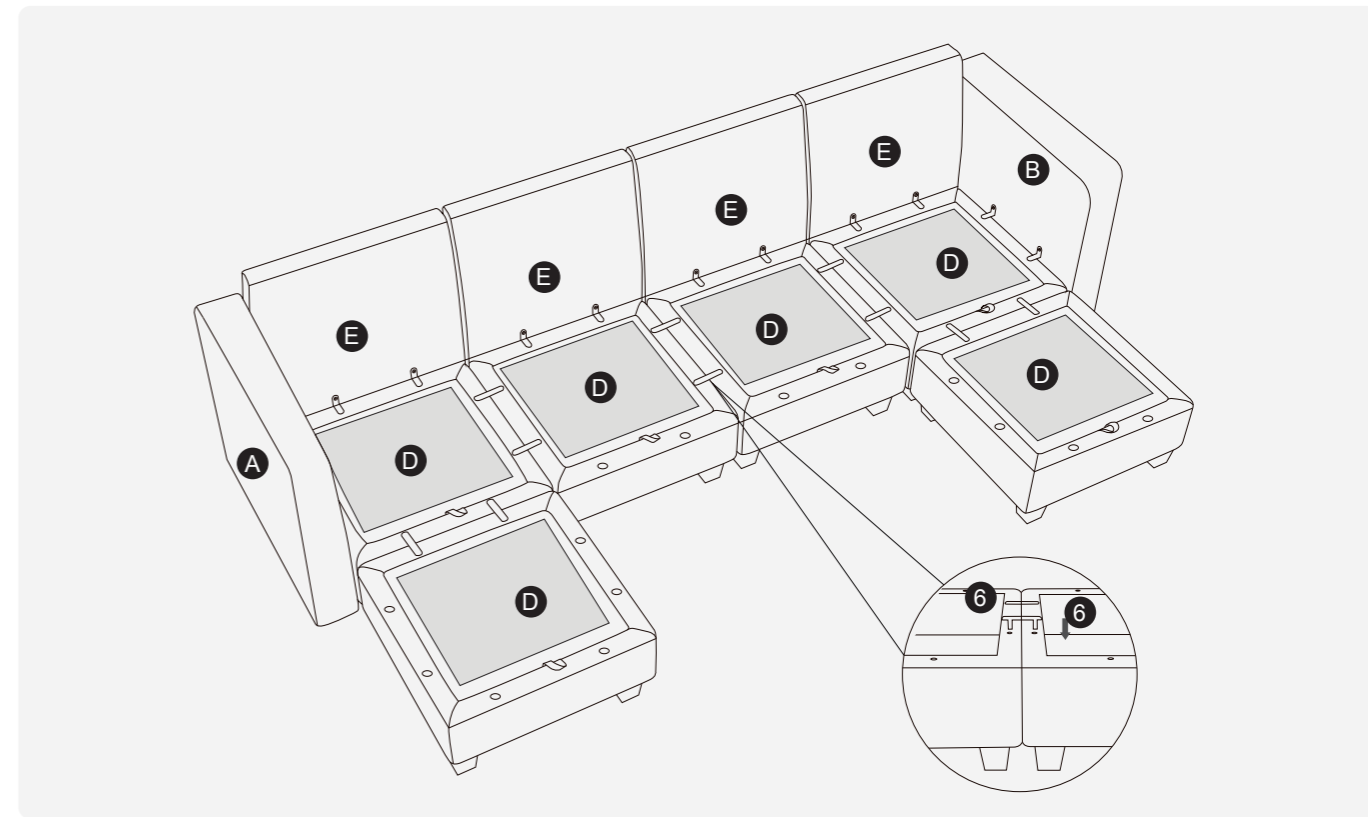
Step2:



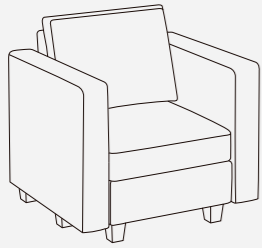
Step3:



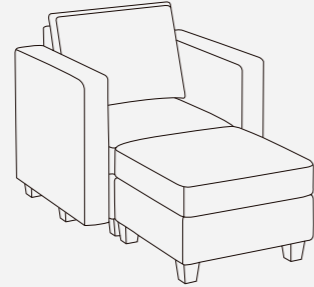
Link Seat Frame and Seat Frame



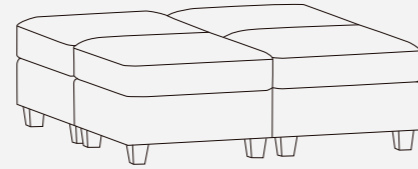
FREE COMBINATION



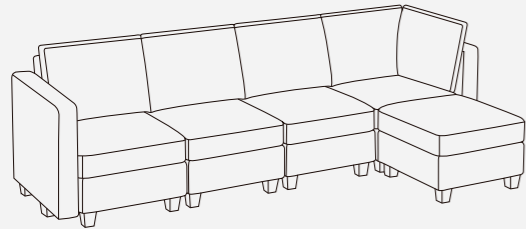
Carton(A+B)



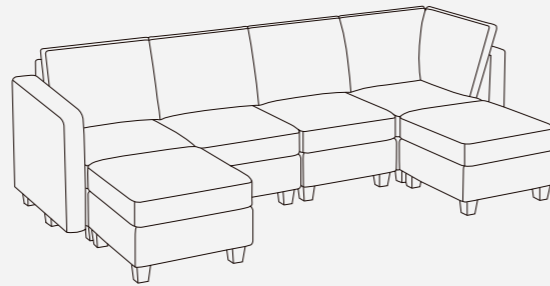
Carton(A+B+C)



Carton(4C)

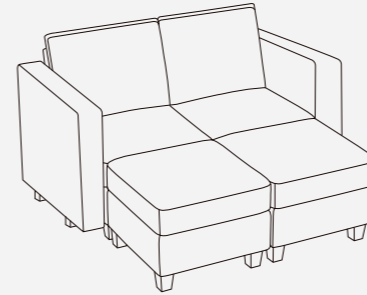


Carton(A+4B+C)

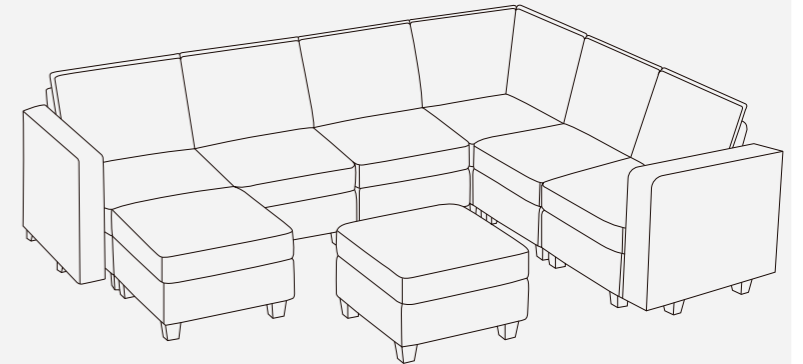


Carton(A+4B+2C)

FREE COMBINATION



Carton(4B)



Carton(A+7B+C)