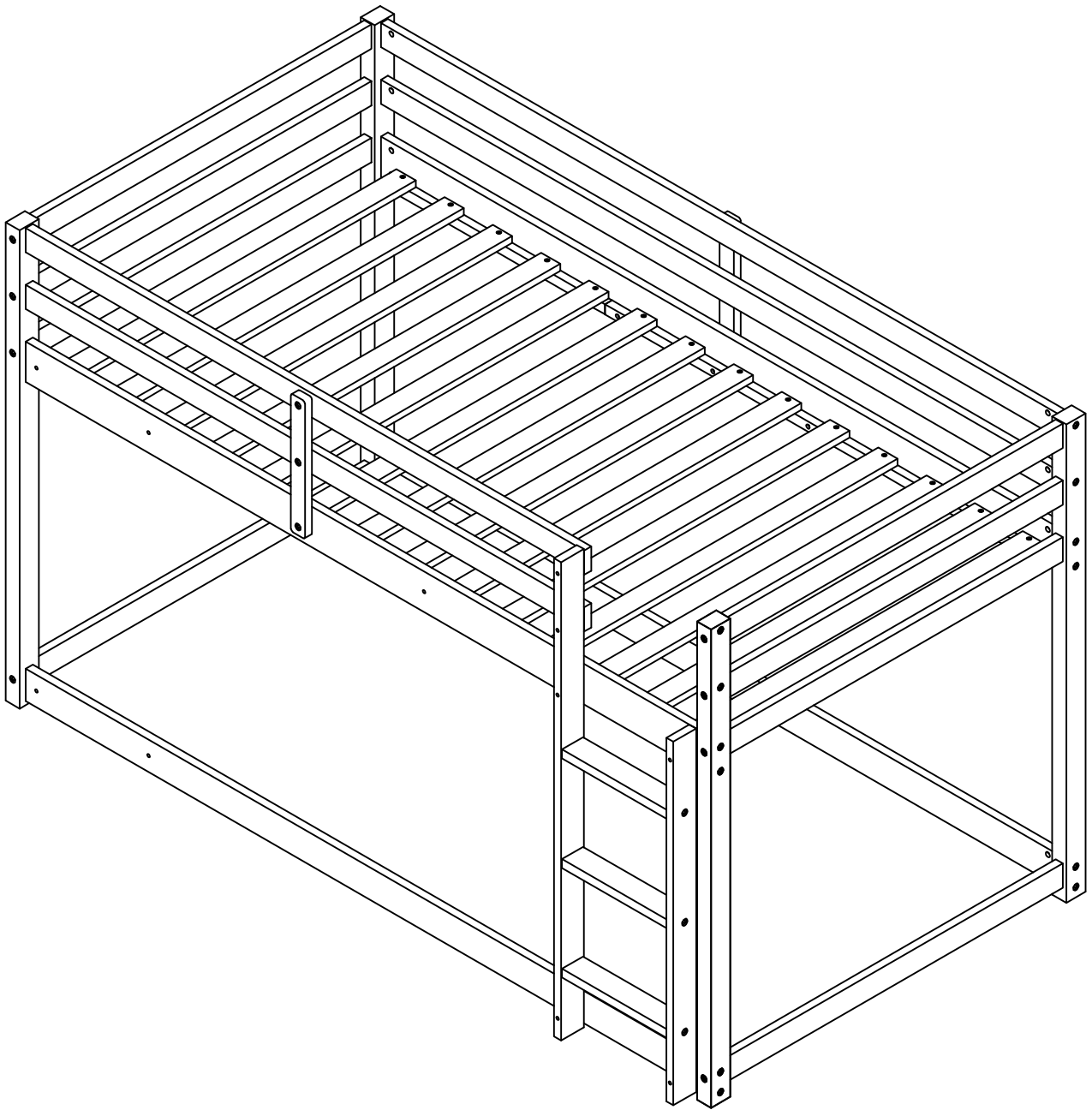


# ASSEMBLY INSTRUCTIONS

## BUNK BED



WF293017

# **! SAFETY WARNINGS !**

---

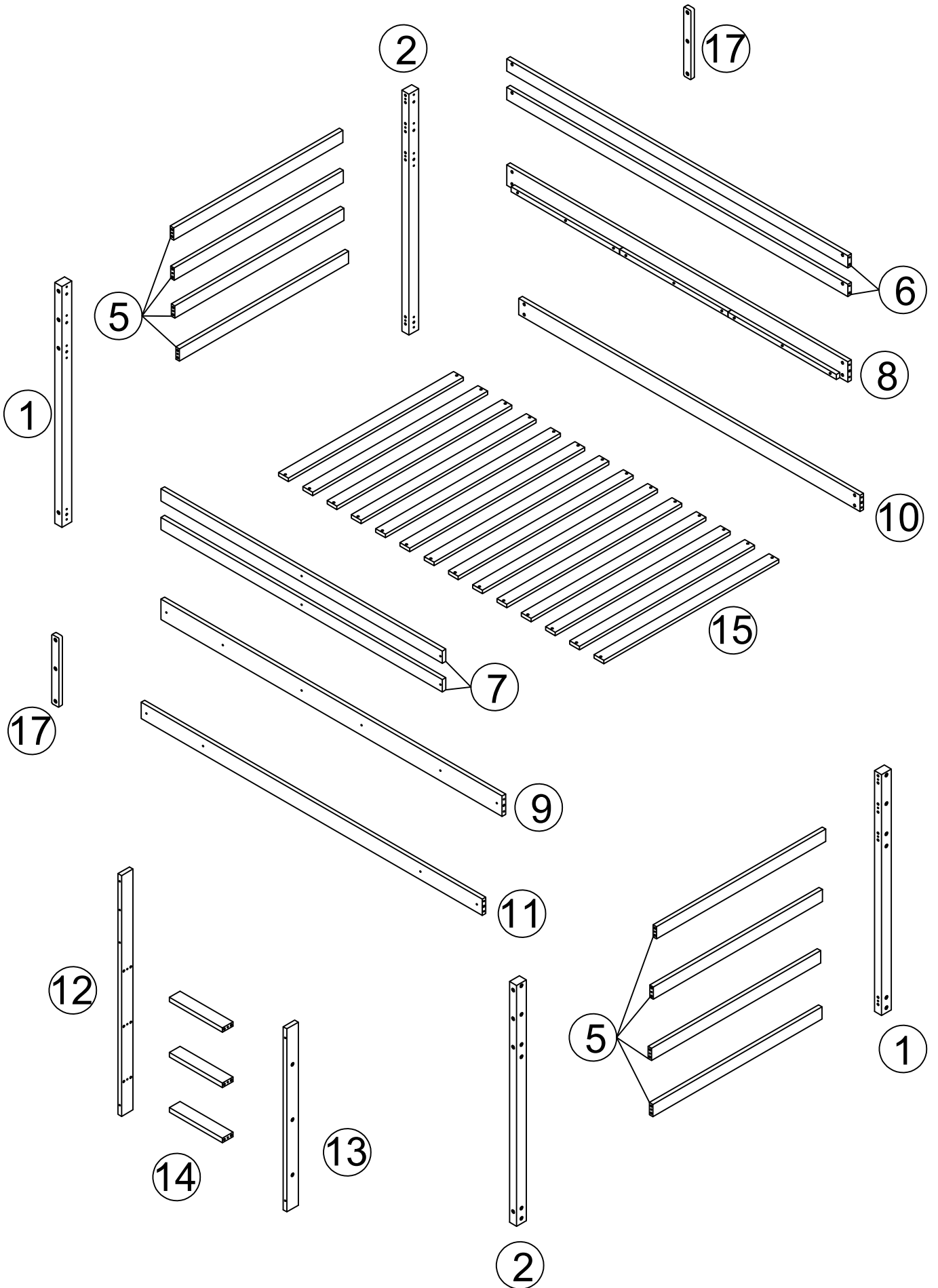
1. This bed is designed for use only mattress(es) meeting the following specifications on the upper bunk, and lower bunk:

**Upper bunk(bunk bed and tribed included)**

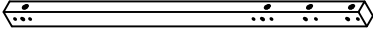
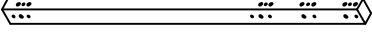


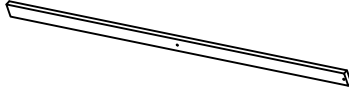
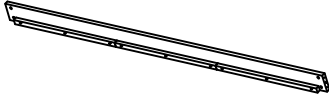
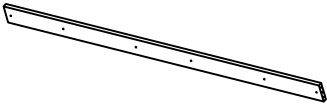


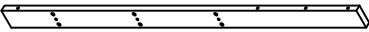
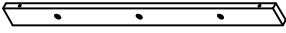
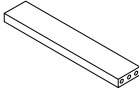
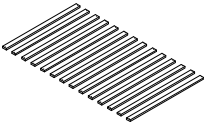

<b>Bed type</b>	<b>Length</b>	<b>Width</b>	<b>Thickness</b>
<b>Twin Standard</b>	<b>74" - 75"</b>	<b>38 1/ 2"</b>	<b>6"</b>

2. Replacement parts, including additional guardrails, may be obtained from any of our ( GIGACLOUD TECHNOLOGY (USA) INC. 18961 ARENTH AVENUS CITY OF INDUSTRY, CA, 91748) dealers
3. Follow the information on the warnings appearing on the upper bunk bed end structure and on the carton. Do not remove warning label from bed.
4. Always use the recommended size mattresses or mattress supports, or both, to help prevent the likelihood of entrapment or falls.
5. Surface of the mattress must be at least 5 in. (127 mm) below the upper edge of guardrails.
6. Do not allow children under 6 years of age to use the upper bunk.
7. Periodically check and ensure that the guardrail, ladder, and other components are in their proper position, free from damage, and that all connectors are tight.
8. Do not allow horseplay on or under the bed and prohibit jumping on the bed
9. Always use the ladder for entering and leaving the upper bunk.
10. Do not use substitute parts. Contact the manufacturer or dealer for replacement parts.
11. Use of a night light may provided added safety precaution for a child using the upper bunk.
12. Always use guardrails on both long sides of the upper bunk. If the bunk bed will be placed next to the wall, the guardrail that runs the full length of the bed should be placed against the wall to prevent entrapment between the bed and wall.
13. The use of water or sleep flotation mattresses is prohibited.
14. **STRANGULATION HAZARD** – Never attach or hang items to any part of the bunk bed that are not designed for use with the bed; for axample, but not limited, hook, belts and jump ropes.
15. Keep these instructions for future reference
16. Prohidit more than one person on upper bunk .
17. We recommend assembling your bunk bed on the shipping carton to protect your floor or carpet .
18. Be caertain all staples are out of the box before beginning assembly on the shipping carton .

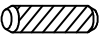

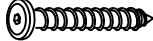

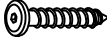

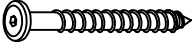
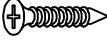
# Detail View



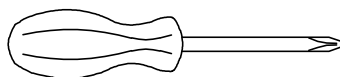
# Part Lists:WF293017

<p><b>1</b></p>  <p>Front left leg - 2pcs</p>	<p><b>2</b></p>  <p>Back left leg - 2pcs</p>	<p><b>5</b></p>  <p>HB-FB horizontal (lower) - 8pcs</p>
<p><b>6</b></p>  <p>HB-FB horizontal (middle) - 2pcs</p>	<p><b>7</b></p>  <p>HB-FB horizontal (upper) - 2pcs</p>	<p><b>8</b></p>  <p>Horizontal (lower) - 1pc</p>
<p><b>9</b></p>  <p>Front side rail - 1pc</p>	<p><b>10</b></p>  <p>Back side rail - 1pc</p>	<p><b>11</b></p>  <p>Front horizontal - 1pc</p>
<p><b>12</b></p>  <p>Left foot of stairs - 1pc</p>	<p><b>13</b></p>  <p>Right foot of stairs - 1pc</p>	<p><b>14</b></p>  <p>Stairs support bar - 3pcs</p>
<p><b>15</b></p>  <p>Slat - 14pcs</p>	<p><b>17</b></p>  <p>Back vertical - 2pcs</p>	

# Hardware Lists:WF293017

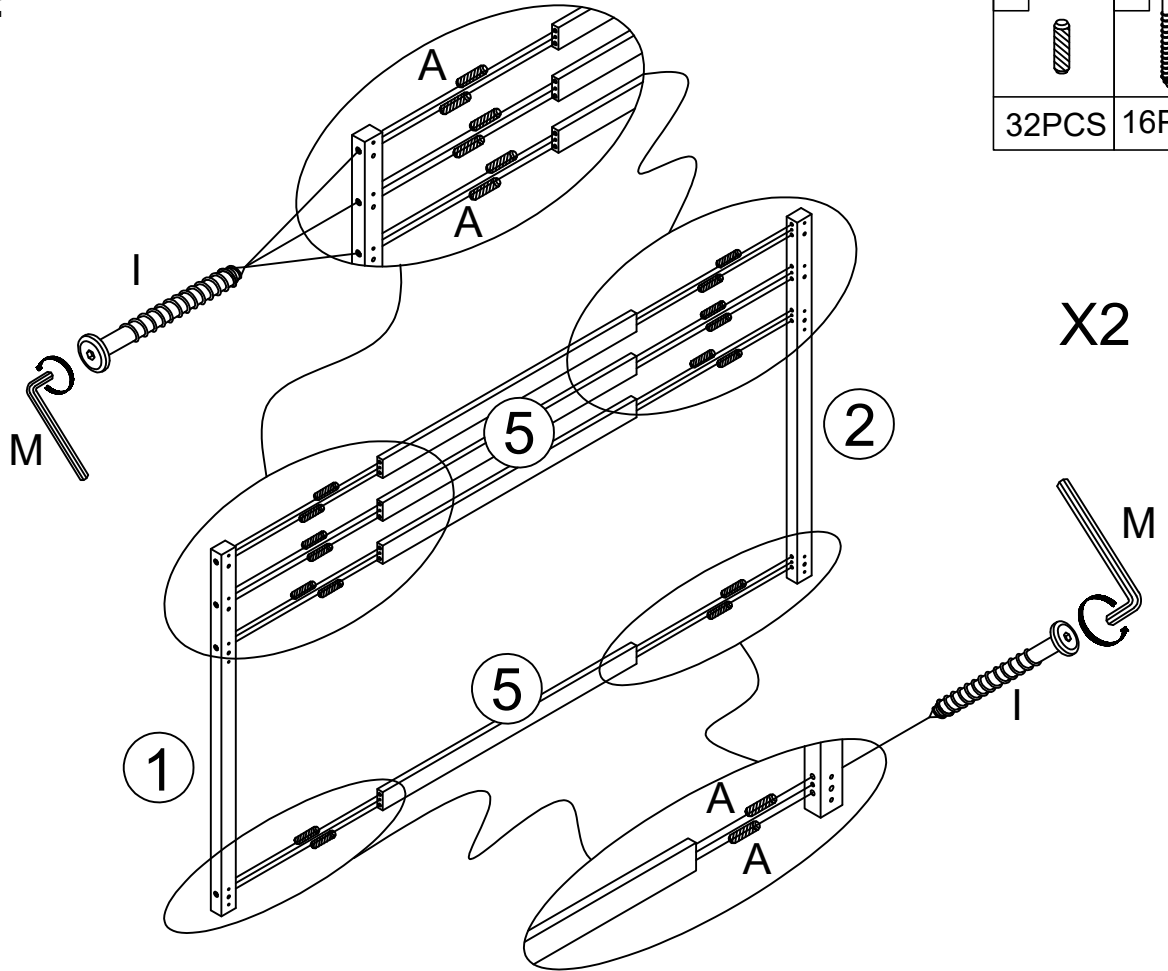
<b>A</b>  Ø10*30mm	<b>D</b>  Ø1/4"*85mm	<b>H</b>  Ø6*50mm
Wood dowel (58pcs)	Hex-Head bolt (22pcs)	Hex-Head screw (12pcs)
<b>E</b>  Ø1/4"*15mm	<b>G</b>  Ø6*30mm	<b>M</b>  K4mm
Horizontal-Hole bolt (22pcs)	Hex-Head screw (6pcs)	Allen key (1pc)
<b>I</b>  Ø6*100mm	<b>L</b>  #4*30mm	
Hex-Head screw (16pcs)	Screw (28pcs)	

ASSEMBLY TOOLS REQUIRED ( NOT INCLUDED )



PLEASE BE CAREFUL DO NOT DAMAGE THE HOLE POSITION WHEN YOU USE POWER TOOLS !

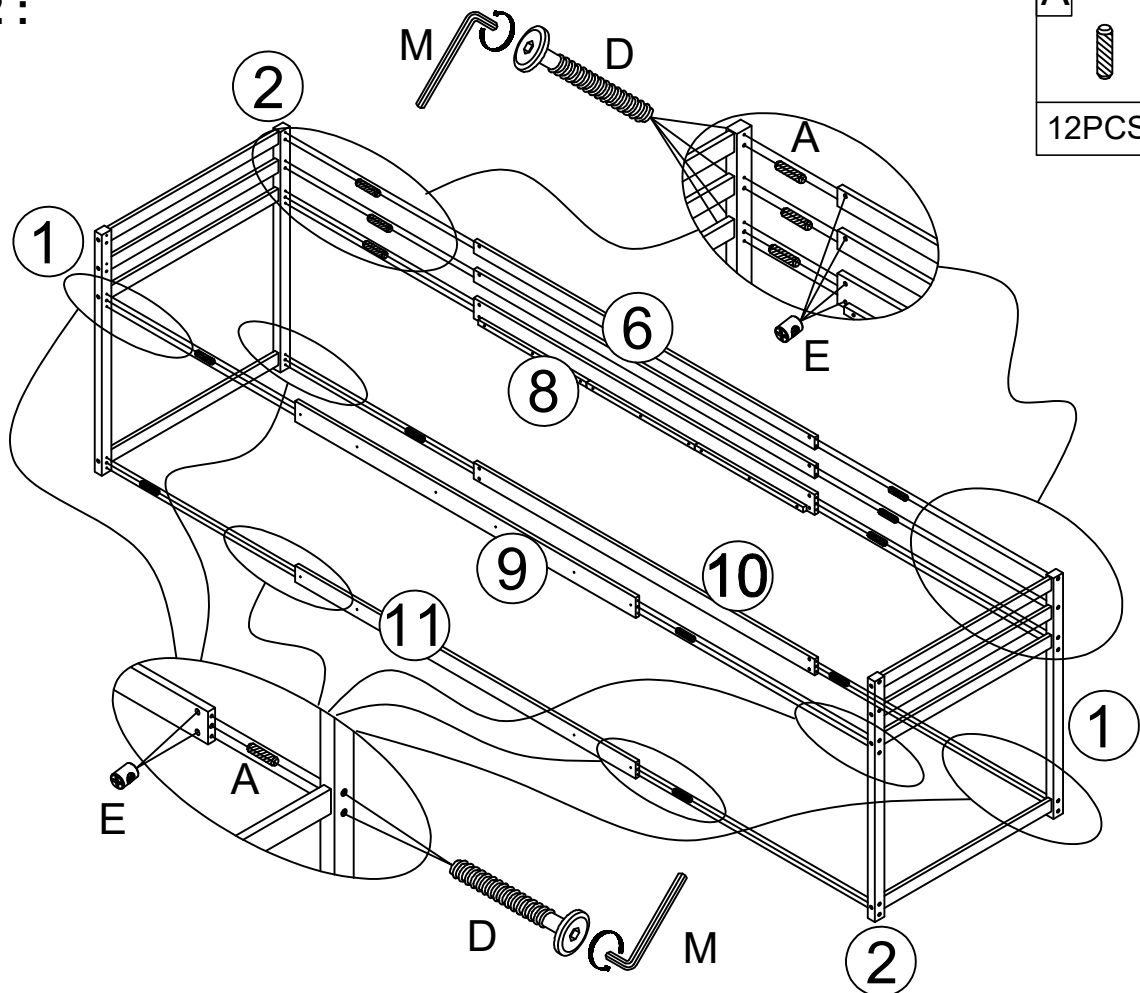
**Step 1 :**



A	I
32PCS	16PCS

X2



**Step 2 :**

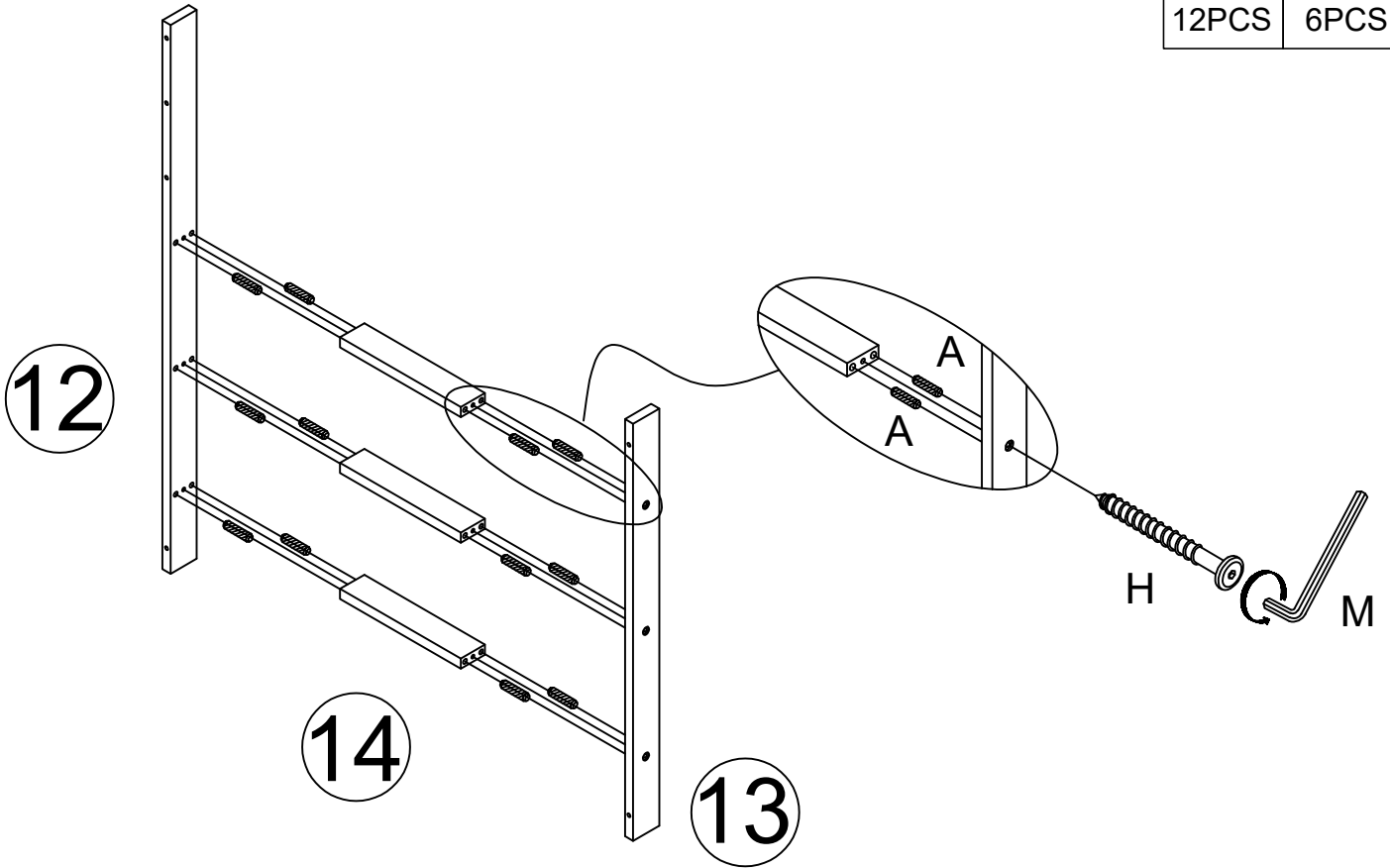


A	D
12PCS	20PCS




E
20PCS

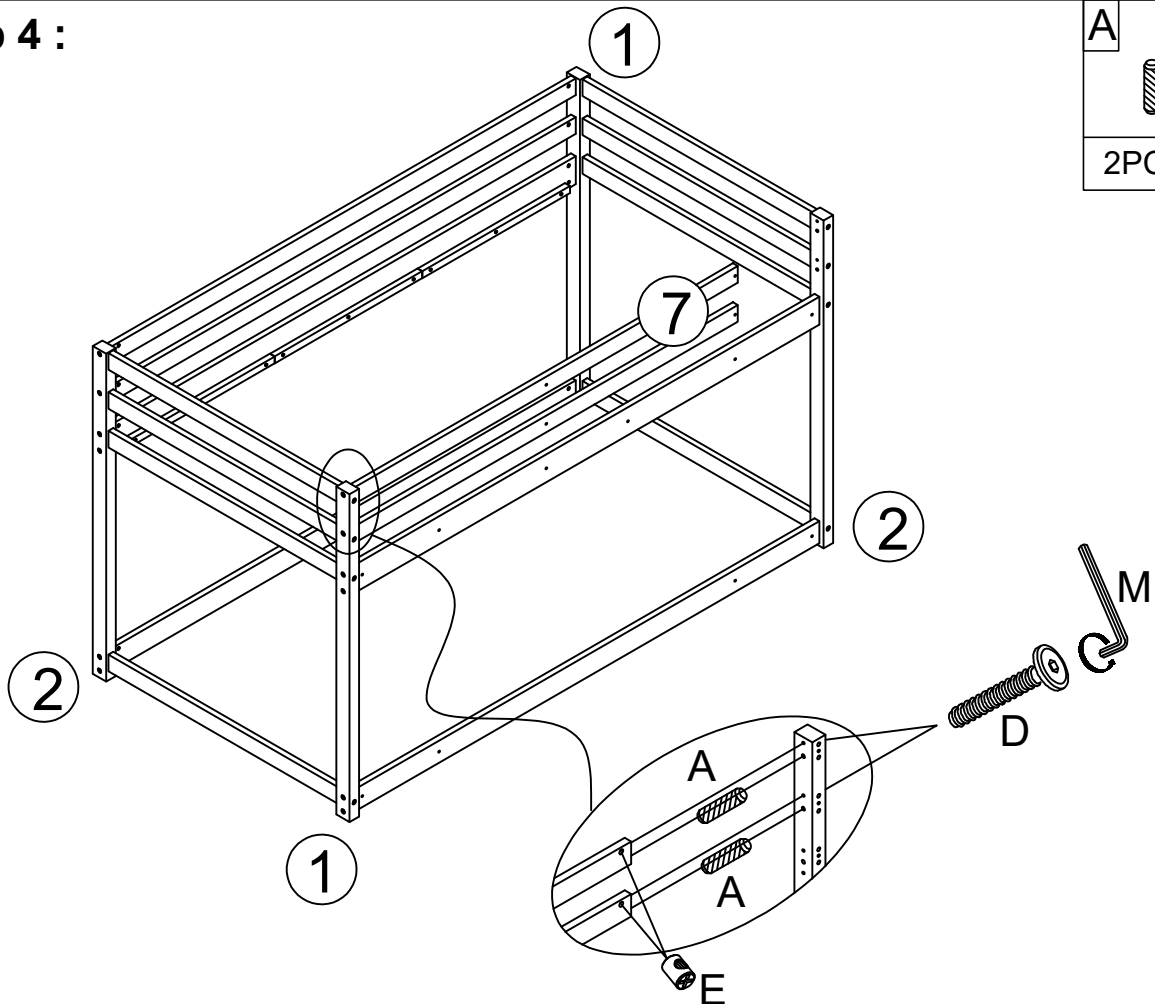
**Step 3 :**

A	H
	
12PCS	6PCS

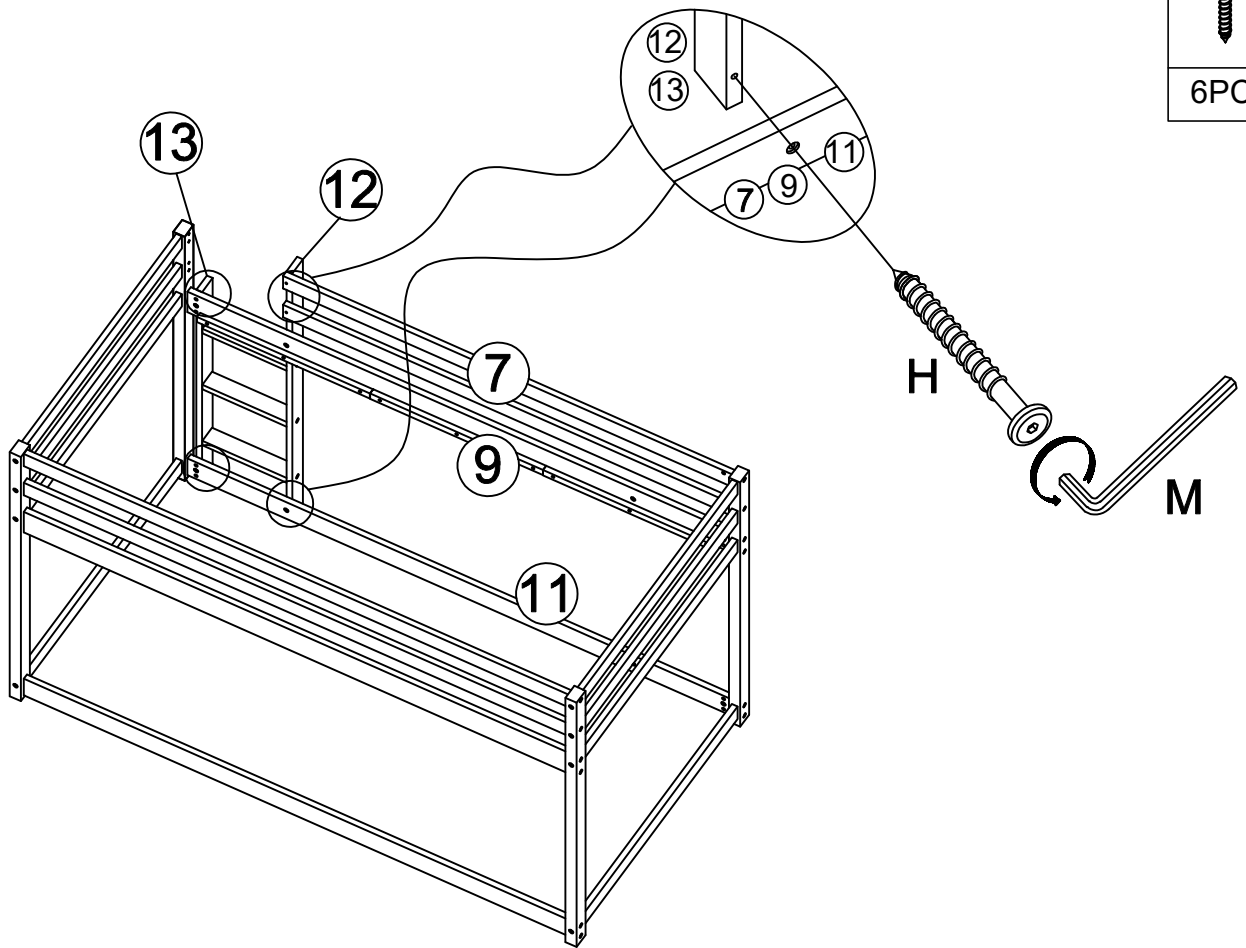


**Step 4 :**

A	D
	
2PCS	2PCS
E	
	
2PCS	



**Step 5 :**

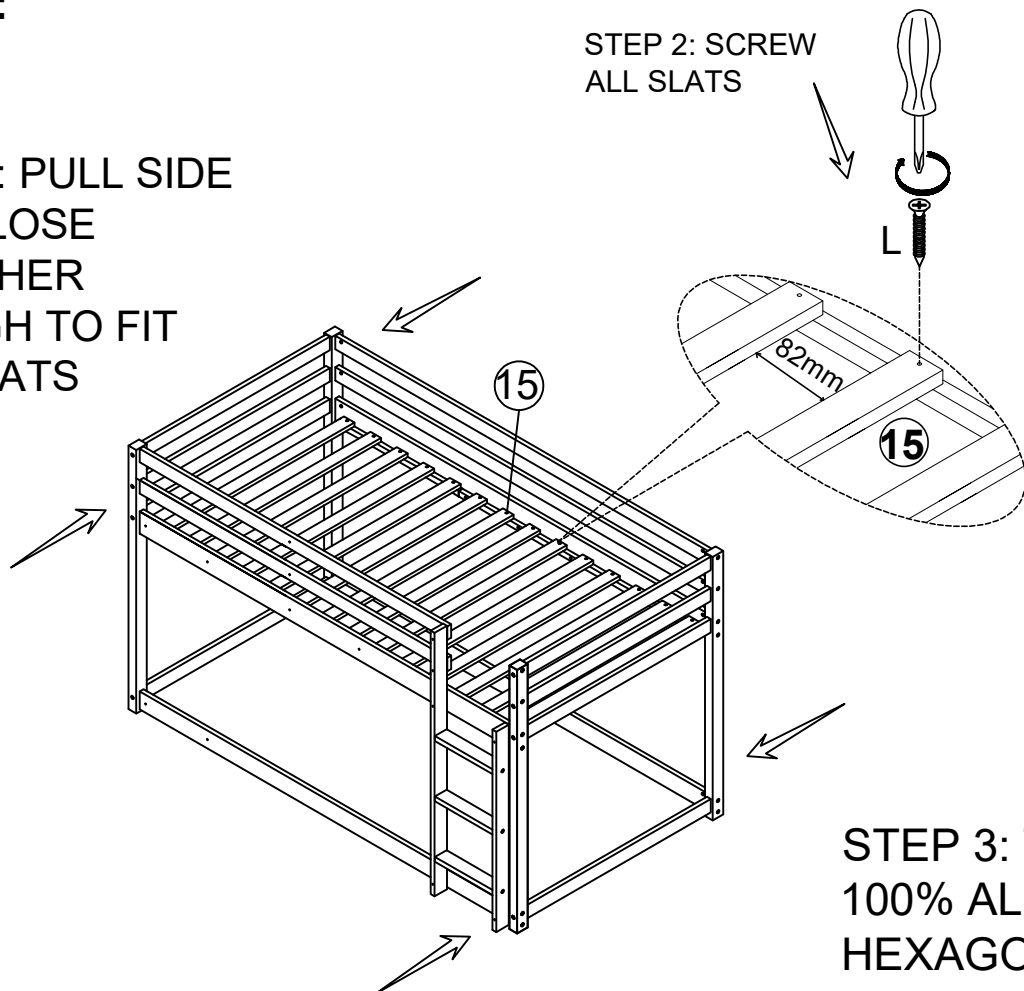


H  
6PCS

**Step 6 :**

STEP 1: PULL SIDE  
RAIL CLOSE  
TOGETHER  
ENOUGH TO FIT  
THE SLATS


STEP 2: SCREW  
ALL SLATS

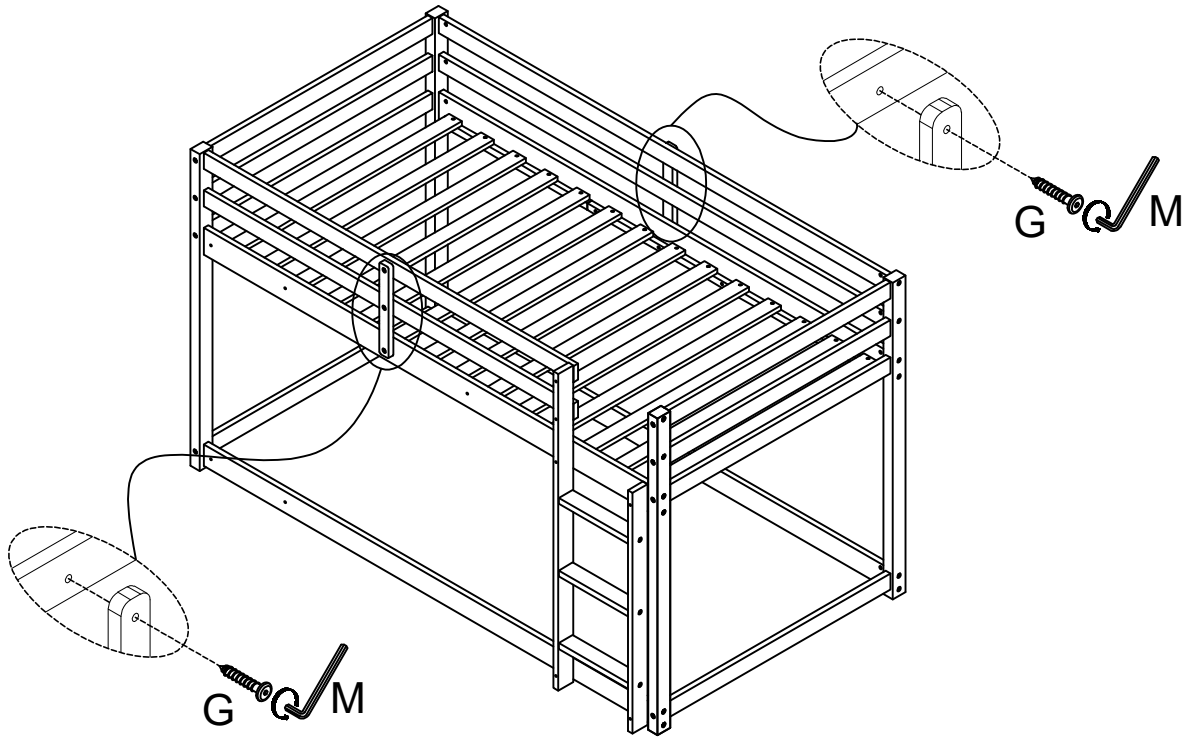


L  
28PCS

STEP 3: TIGHTEN  
100% ALL  
HEXAGON BOLTS

Step 7 :

G

6PCS



COMPLETED

