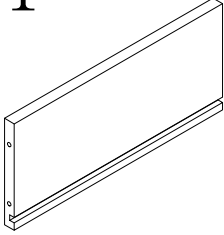
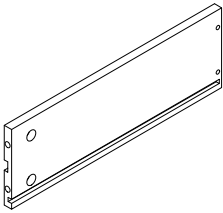
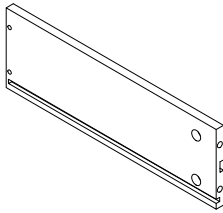
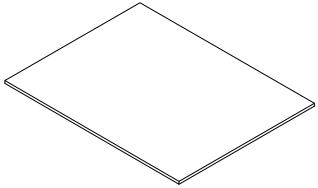
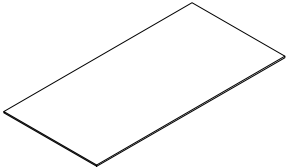
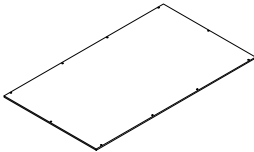
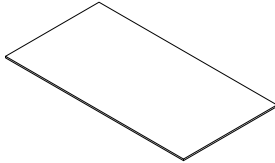
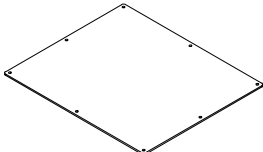
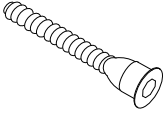
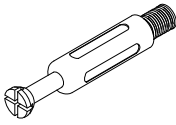
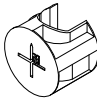
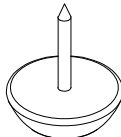
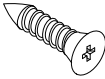
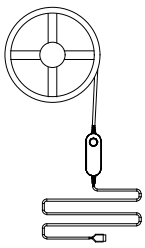
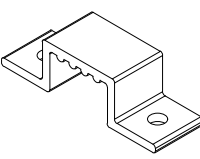
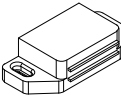
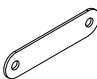
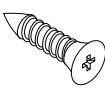
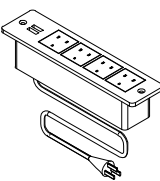



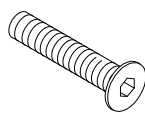
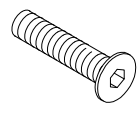
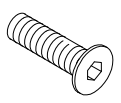
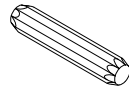
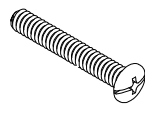
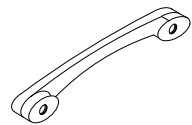
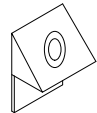
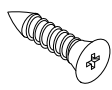
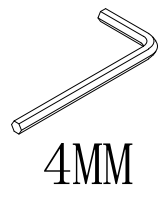
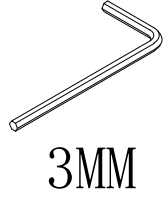
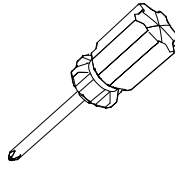


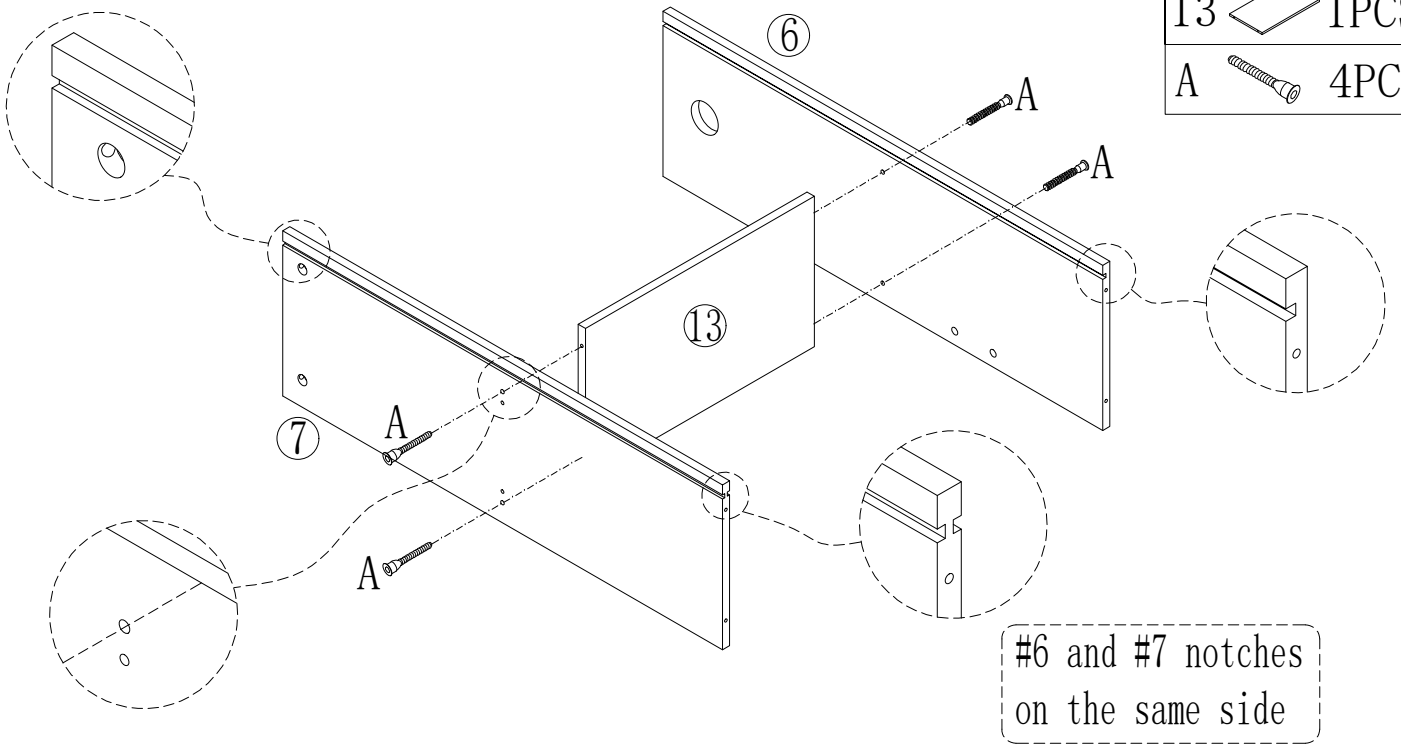
<p>21</p>  <p>4PCS</p>	<p>22</p>  <p>4PCS</p>	<p>23</p>  <p>4PCS</p>	<p>24</p>  <p>4PCS</p>
<p>25</p>  <p>1PCS</p>	<p>26</p>  <p>1PCS</p>	<p>27</p>  <p>2PCS</p>	<p>28</p>  <p>2PCS</p>
<p>A</p>  <p>M5*38</p> <p>36PCS</p>	<p>B</p>  <p>M6*40</p> <p>30PCS</p>	<p>C</p>  <p>∅15*9.3mm</p> <p>30PCS</p>	<p>D</p>  <p>6PCS</p>
<p>E</p>  <p>M3*12</p> <p>28PCS</p>	<p>F</p>  <p>1PCS</p>	<p>G</p>  <p>3PCS</p>	<p>H</p> <p>H1</p>  <p>H2</p>  <p>2PCS</p>
<p>I</p>  <p>M3*14</p> <p>14PCS</p>	<p>J</p>  <p>1PCS</p>	<p>K</p>  <p>2PCS</p>	<p>L</p>  <p>4PCS</p>

<p>M</p>  <p>M6*20*22mm</p> <p>4PCS</p>	<p>N</p>  <p>M6*35mm</p> <p>6PCS</p>	<p>O</p>  <p>M6*22mm</p> <p>12PCS</p>	<p>P</p>  <p>M6*20mm</p> <p>2PCS</p>
<p>Q</p>  <p>φ6*30mm</p> <p>2PCS</p>	<p>R</p>  <p>M4*15</p> <p>10PCS</p>	<p>S</p>  <p>4PCS</p>	<p>T</p> <p>T1 </p> <p>T2 </p> <p>M3*14</p> <p>12PCS</p>



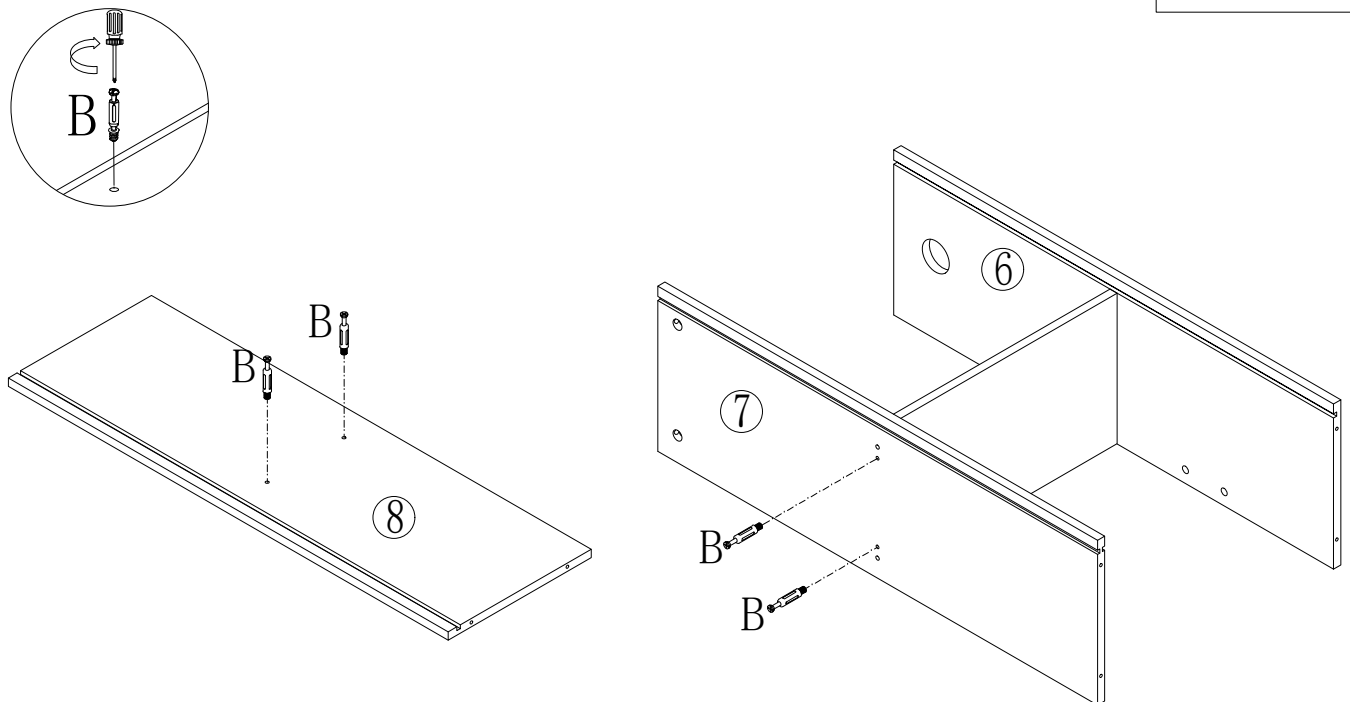
STEP1

6		1PCS
7		1PCS
13		1PCS
A		4PCS

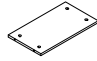



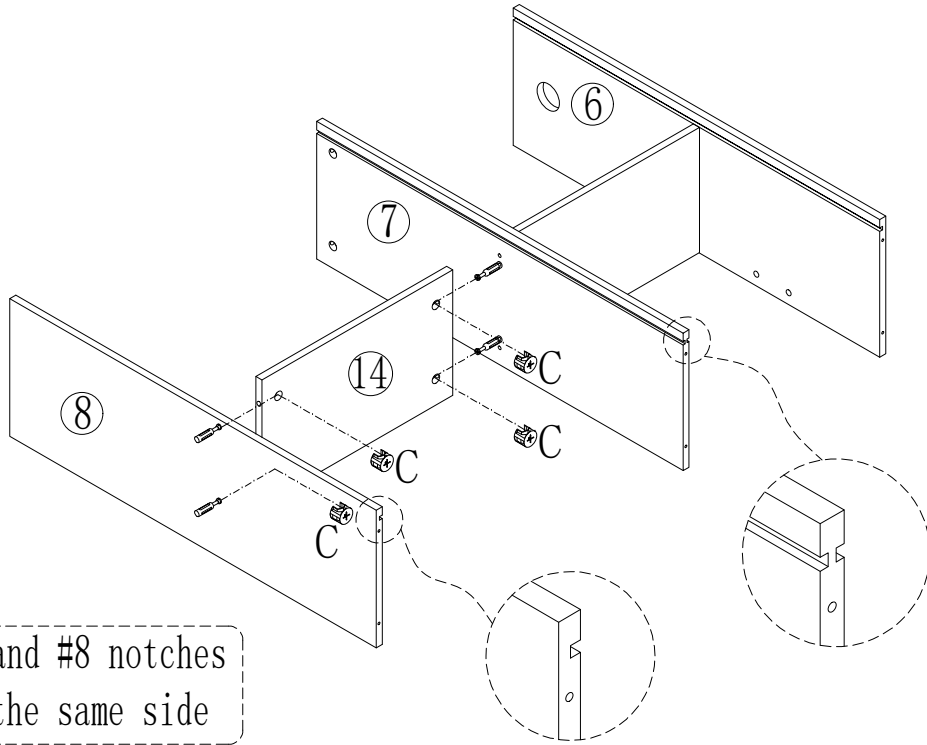
STEP2

8		1PCS
B		4PCS

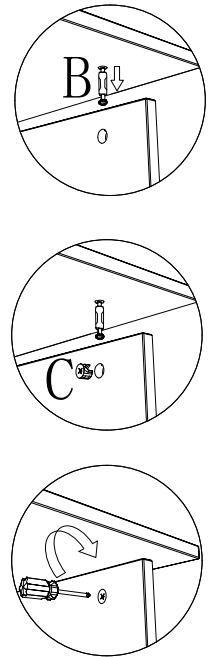


STEP3




14		1PCS
C		4PCS



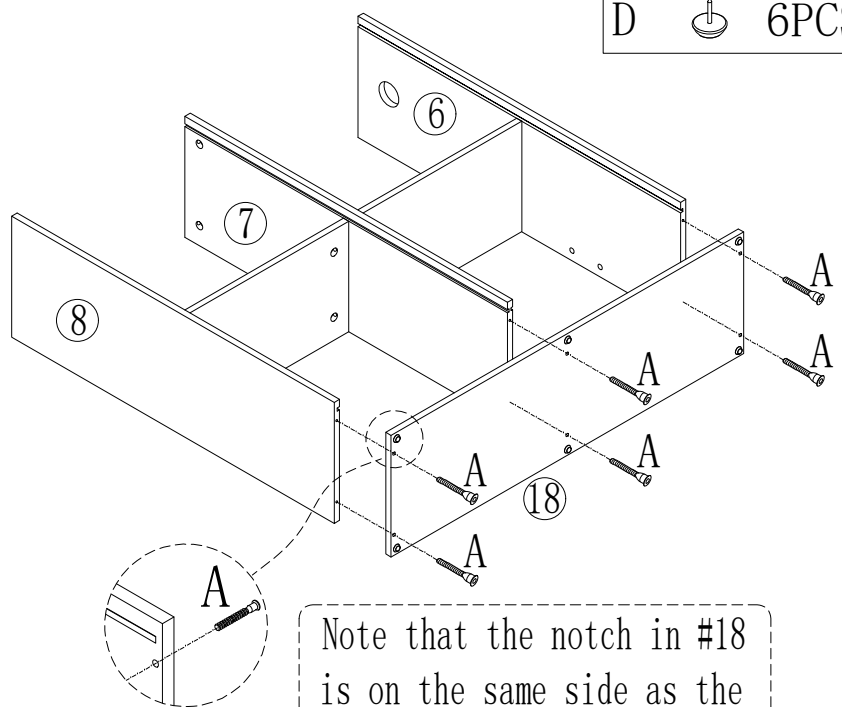
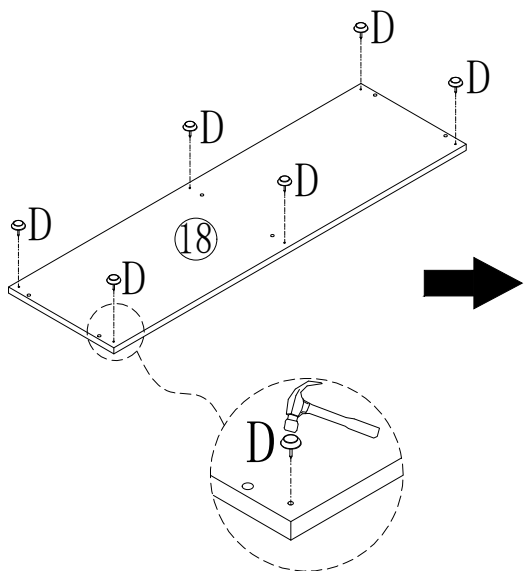
#7 and #8 notches
on the same side



STEP4

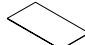
18		1PCS
A		6PCS
D		6PCS

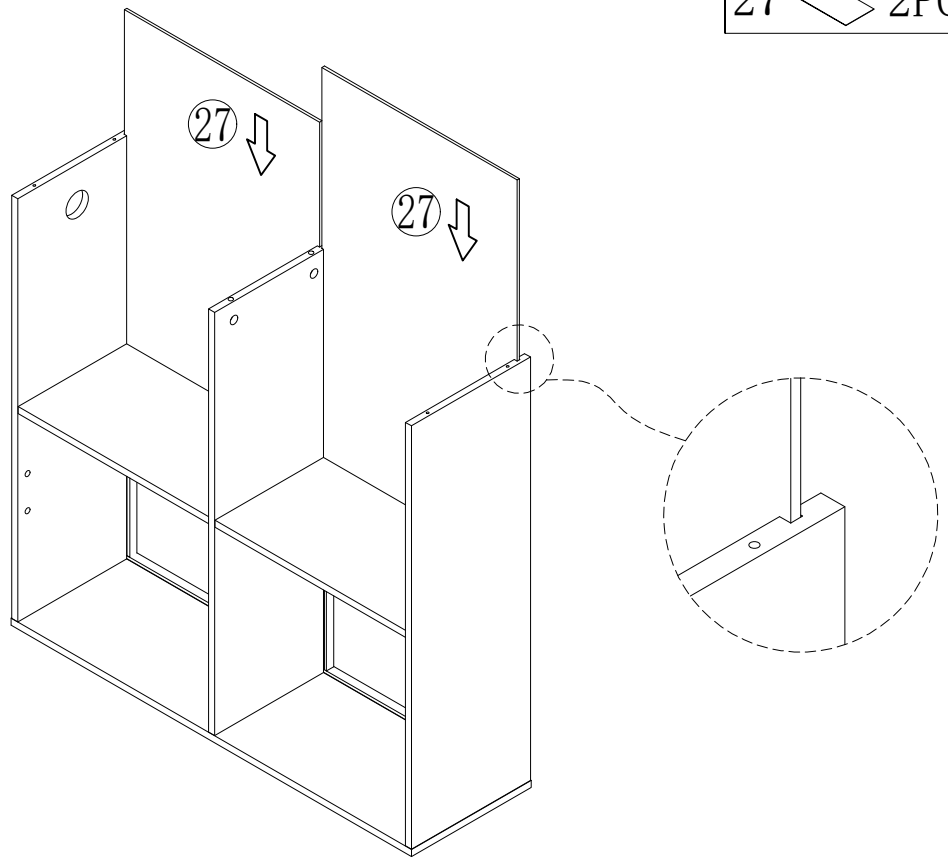
Please note that #D needs
to be secured on the side
with the two







Note that the notch in #18
is on the same side as the
notch in #7

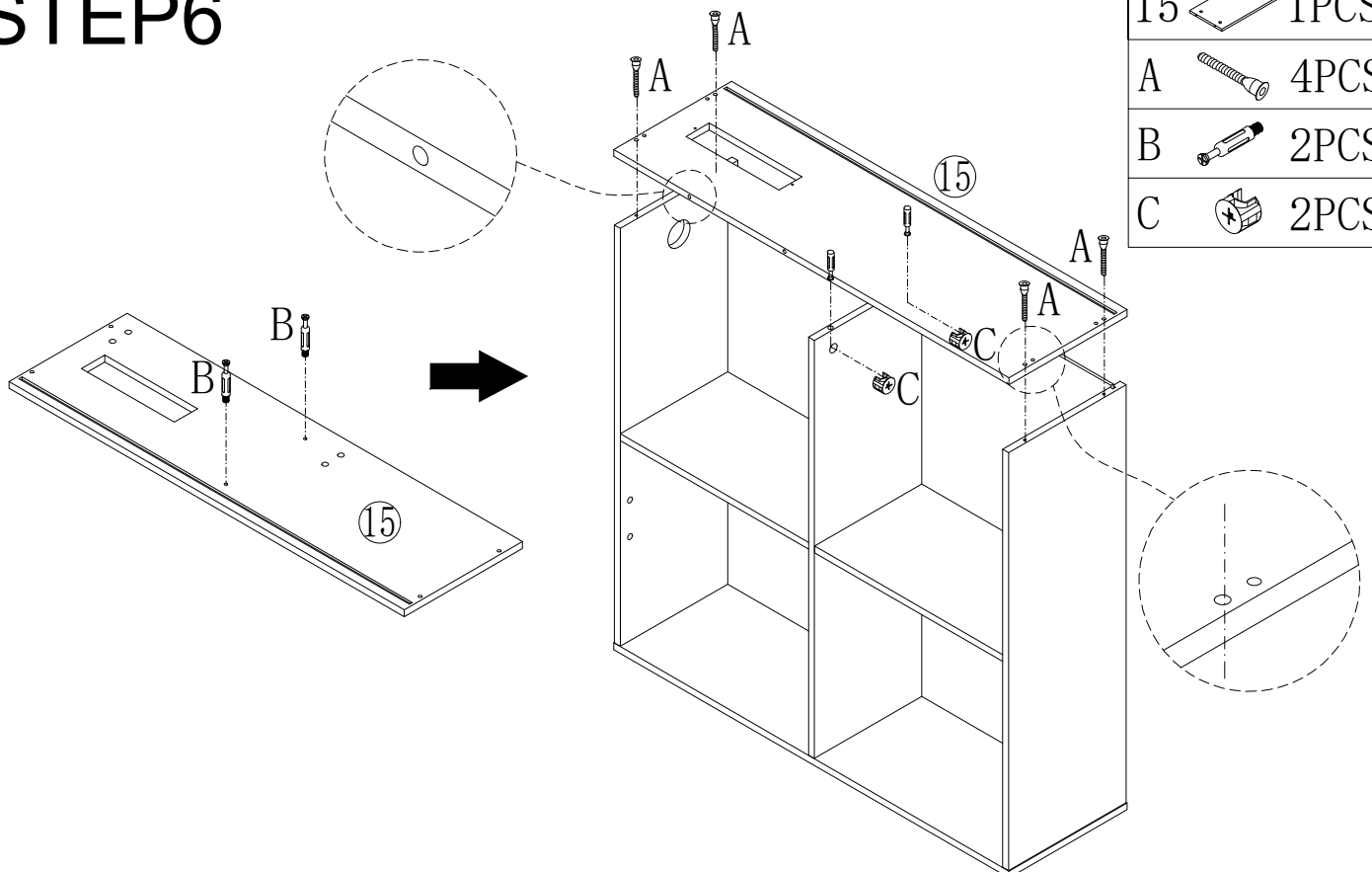
STEP 5

27  2PCS



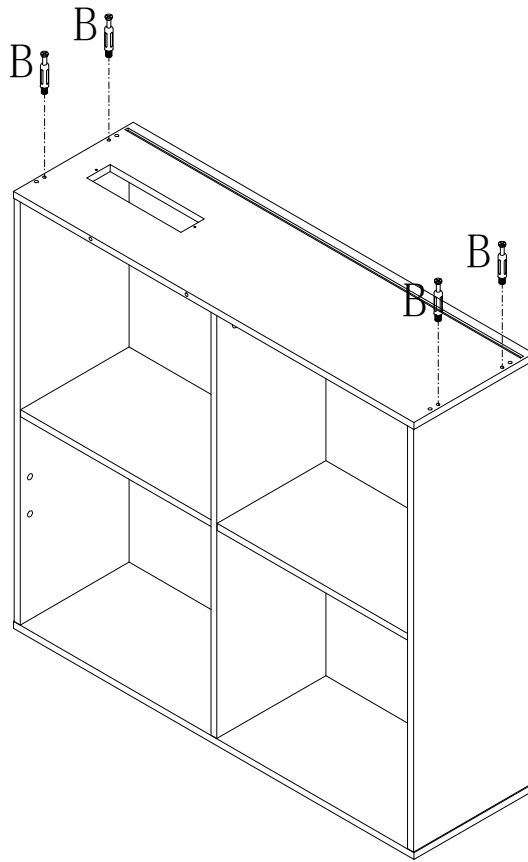
STEP 6

15		1PCS
A		4PCS
B		2PCS
C		2PCS

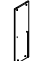



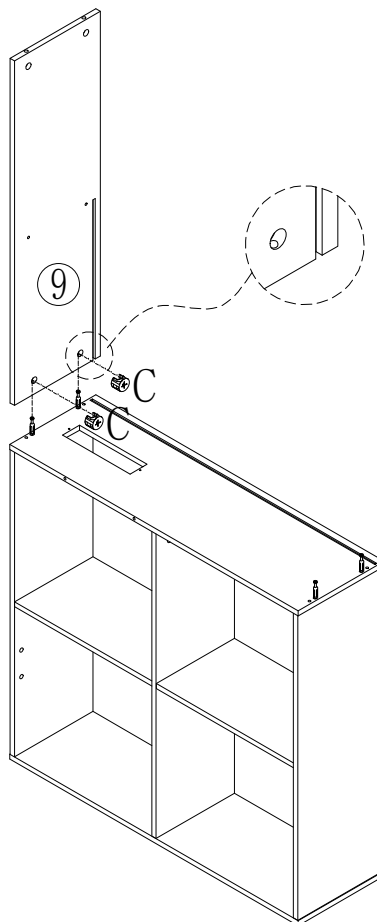
STEP 7

B  4PCS

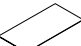


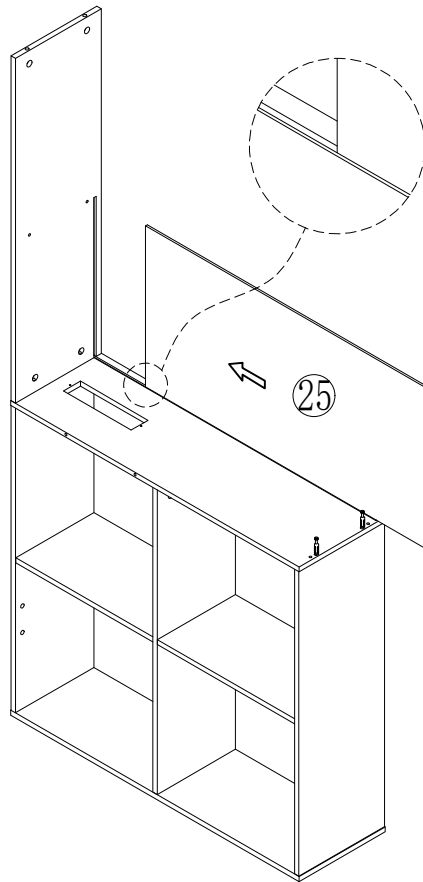
STEP 8

9  1PCS
C  2PCS





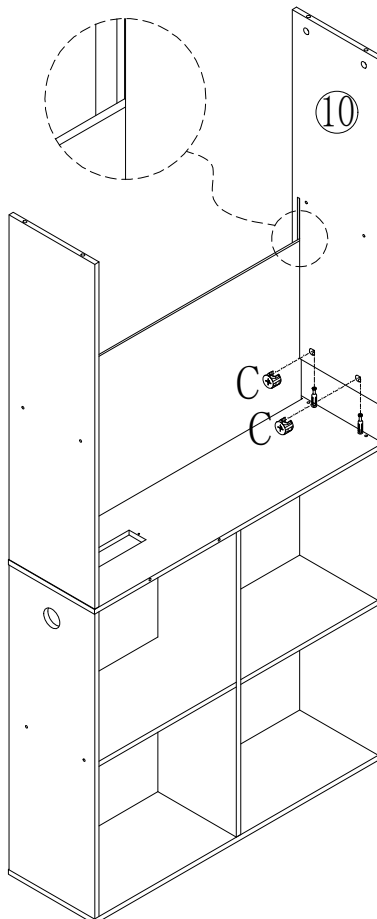
STEP9

25  1PCS

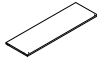



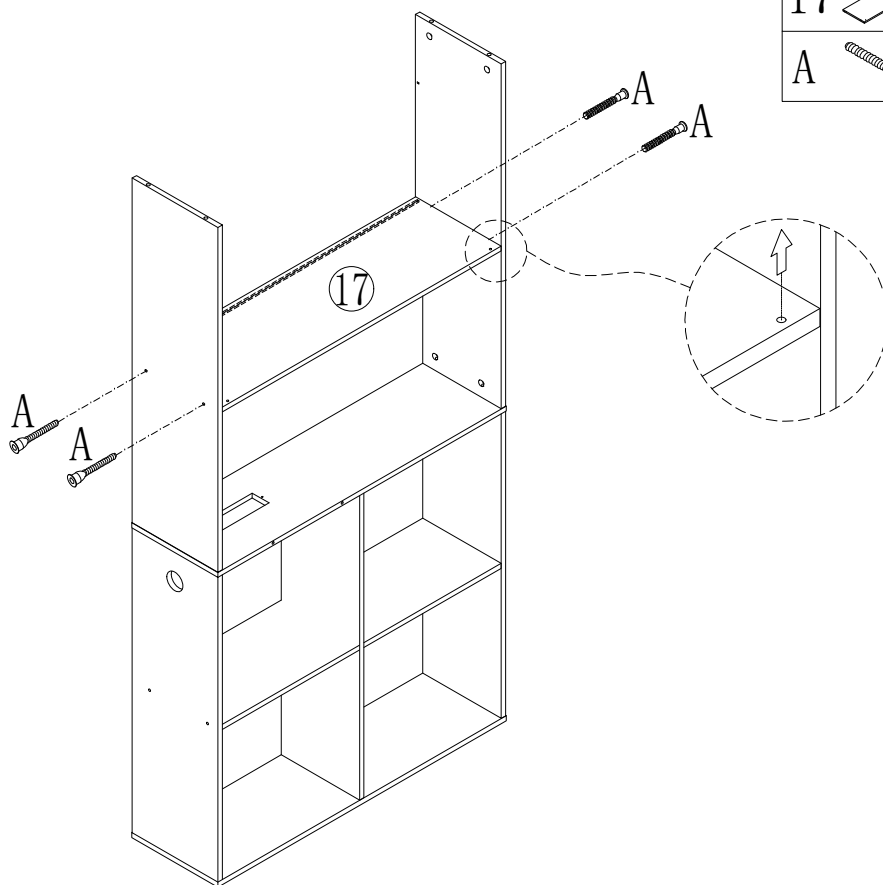
STEP10

10  1PCS
C  2PCS







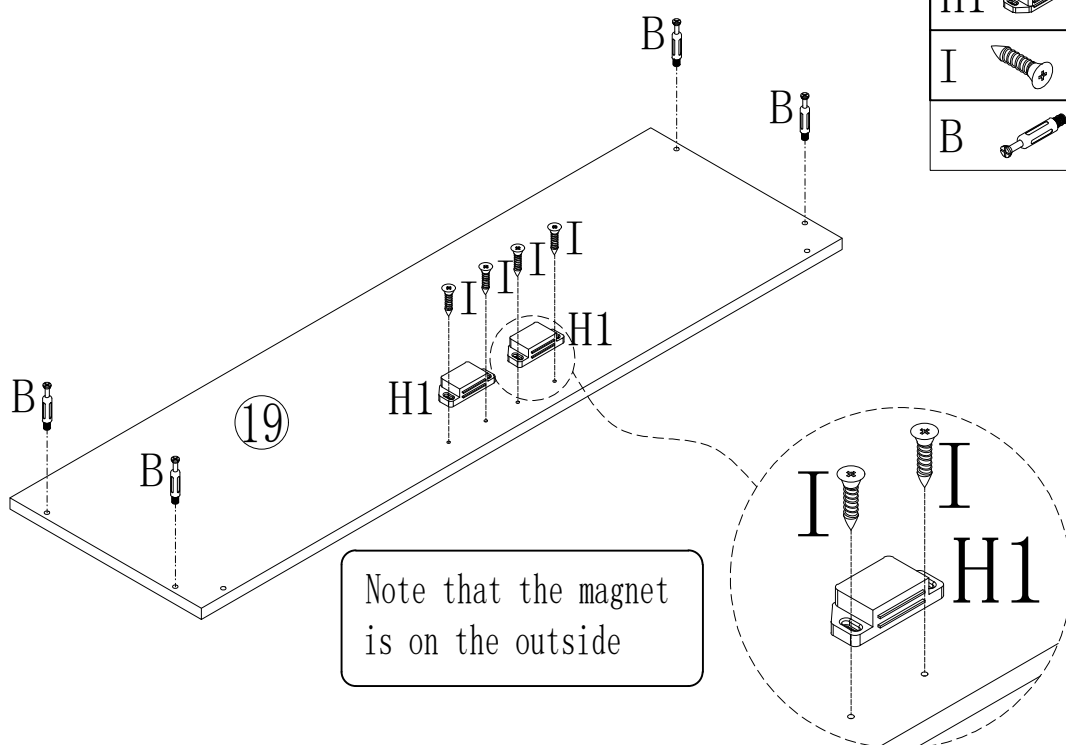
STEP 11

17		1PCS
A		4PCS




STEP 12

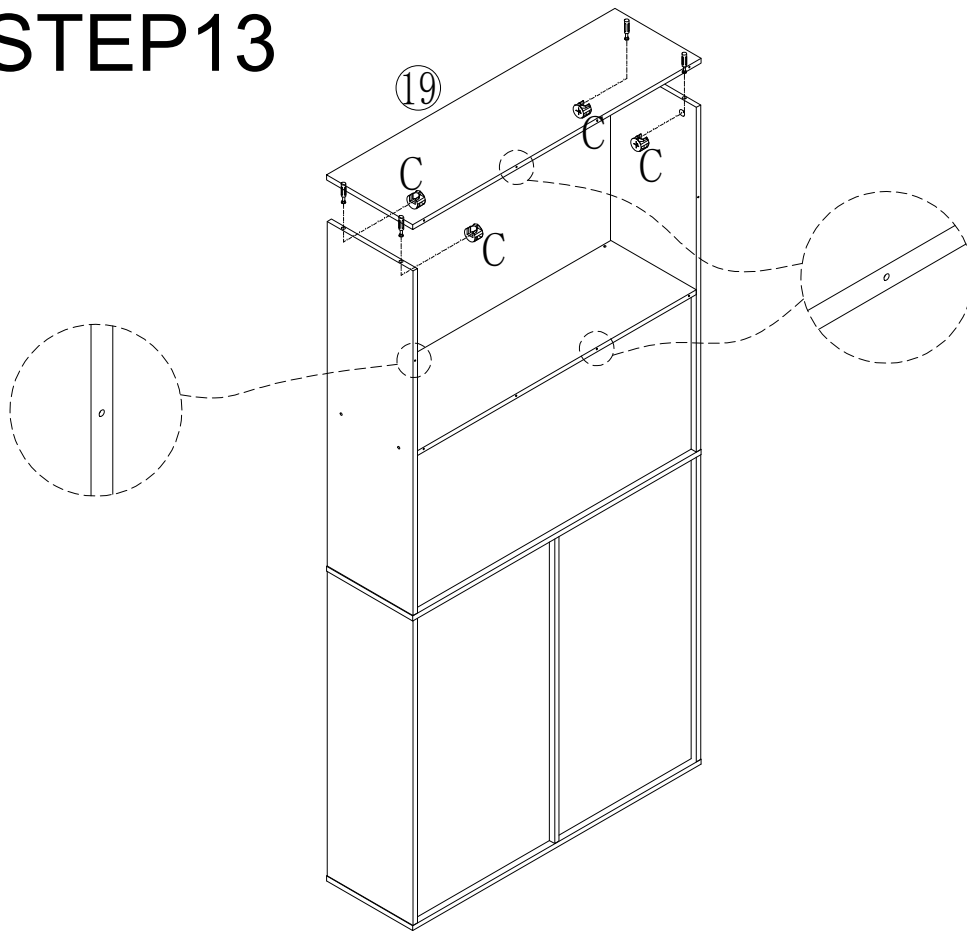
19		1PCS
H1		2PCS
I		4PCS
B		4PCS



Note that the magnet is on the outside


STEP13

C  4PCS

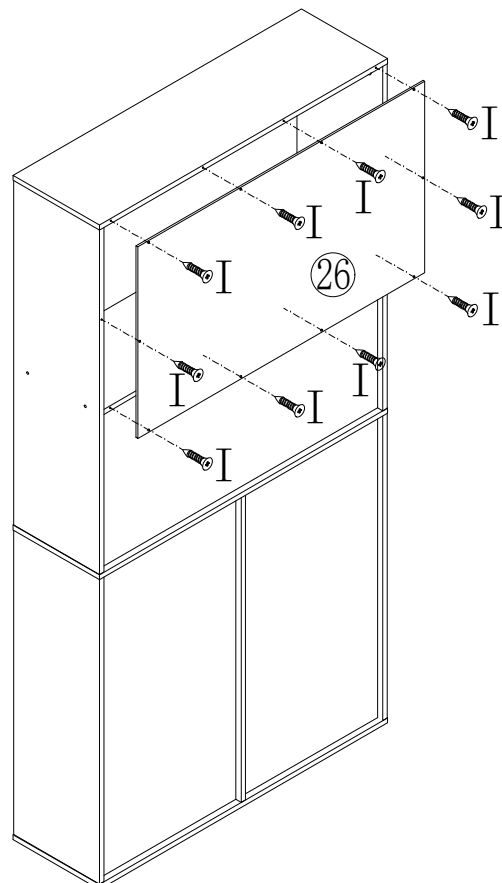


The holes are on the back side



STEP14

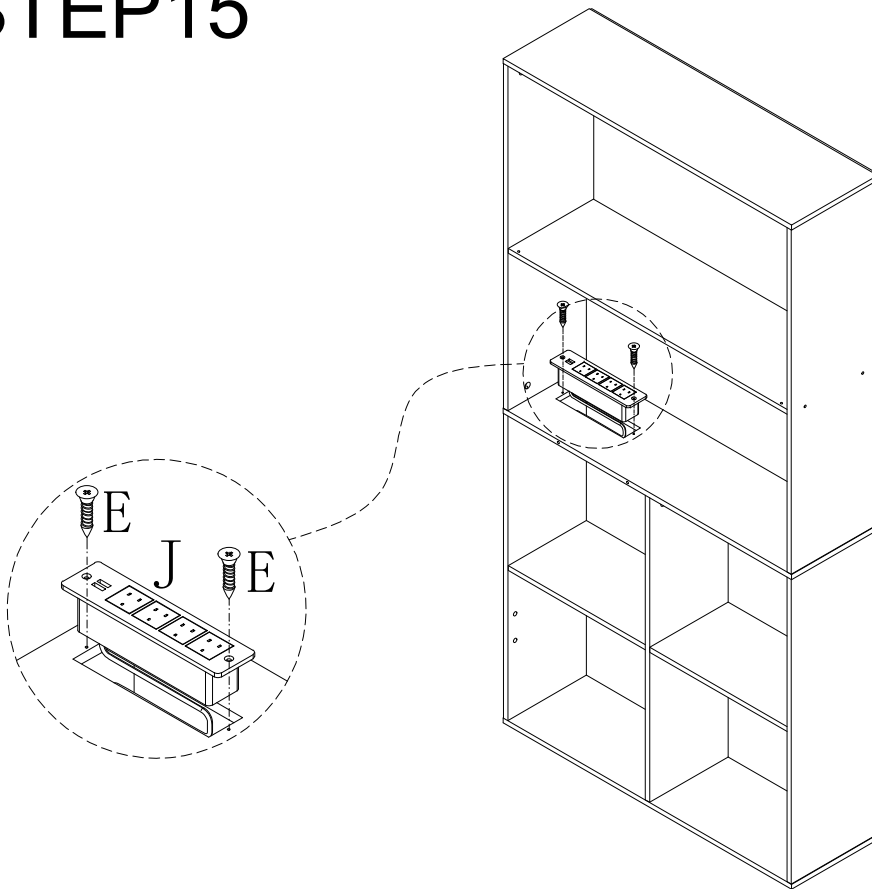
26  1PCS

I  10PCS




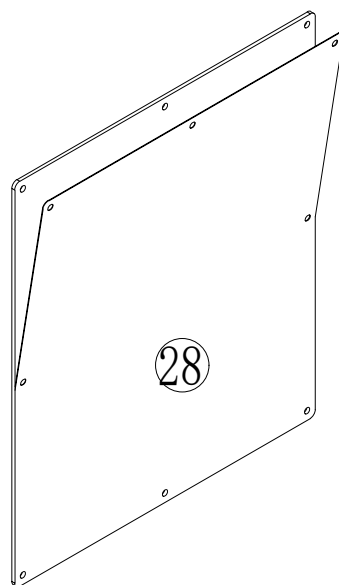
STEP15

J		1PCS
E		2PCS



STEP16

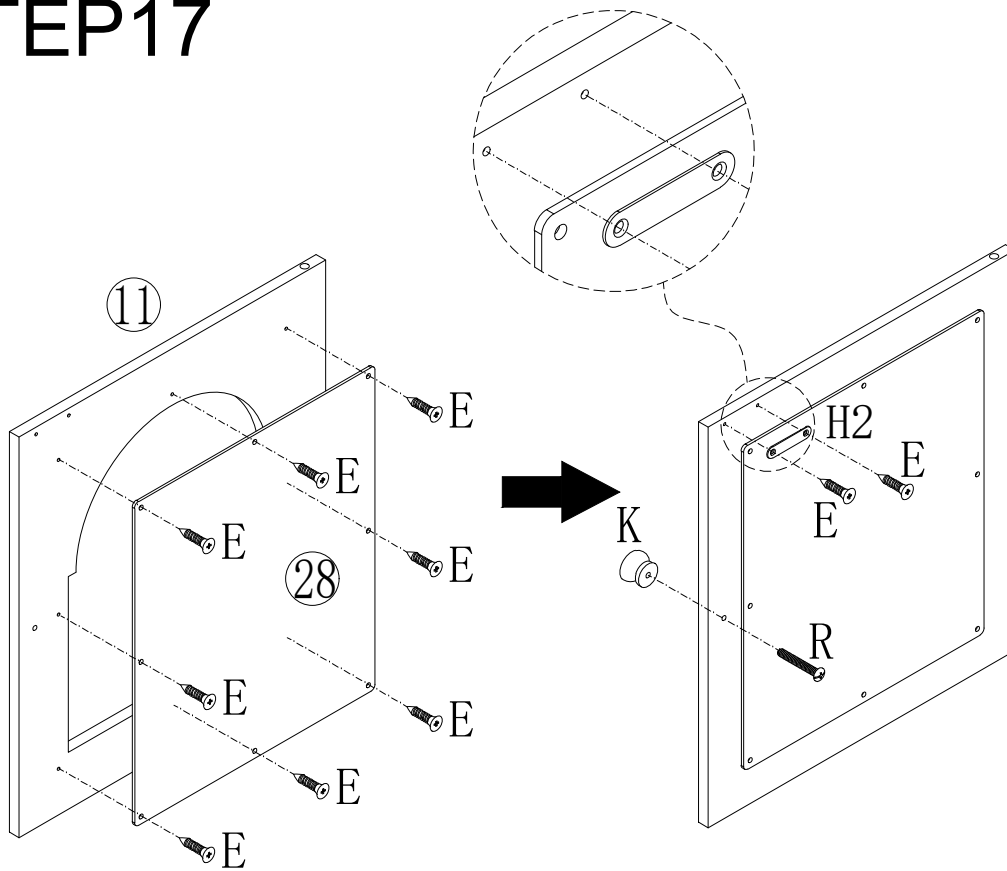
28		2PCS
----	---	------








Remove the protective film
before installation

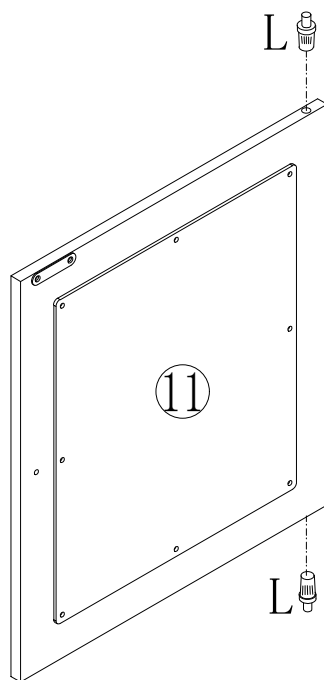
x2

STEP17








11		1PCS
H2		1PCS
K		1PCS
R		1PCS
E		10PCS

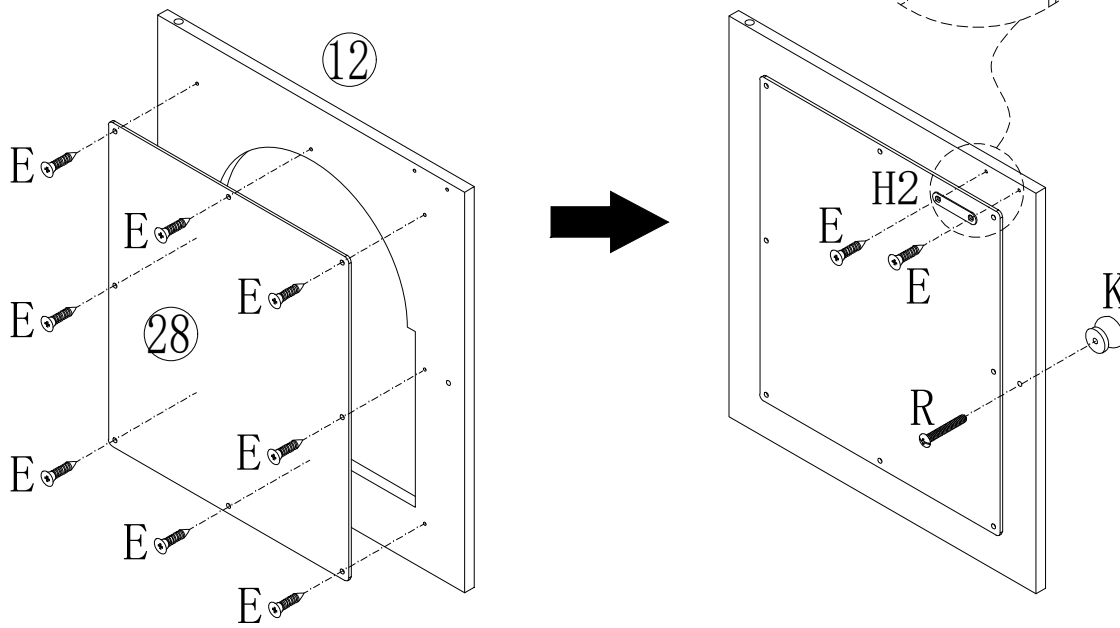
STEP18



L		2PCS
---	---	------

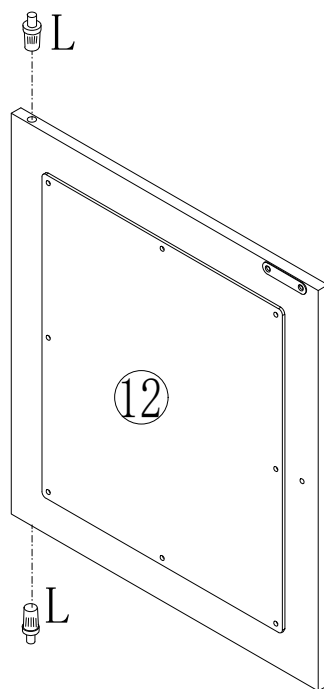
STEP19

12		1PCS
H2		1PCS
K		1PCS
R		1PCS
E		10PCS

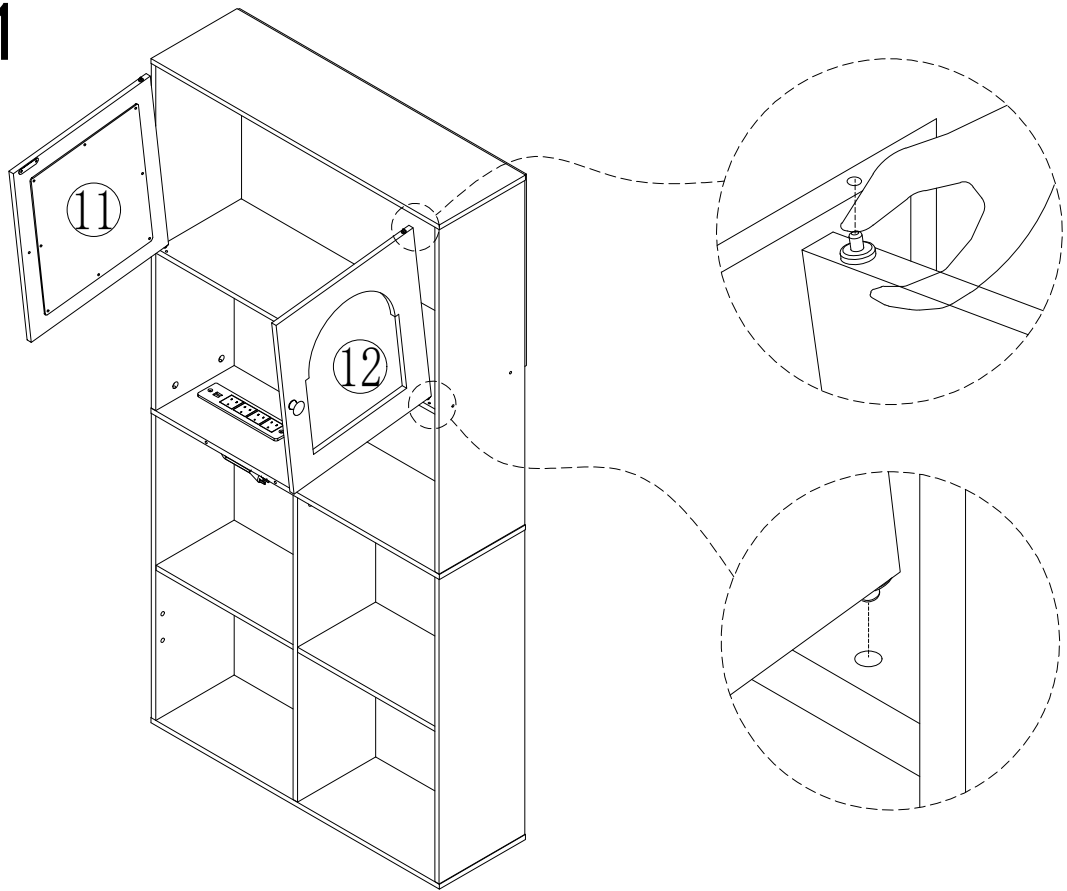


STEP20

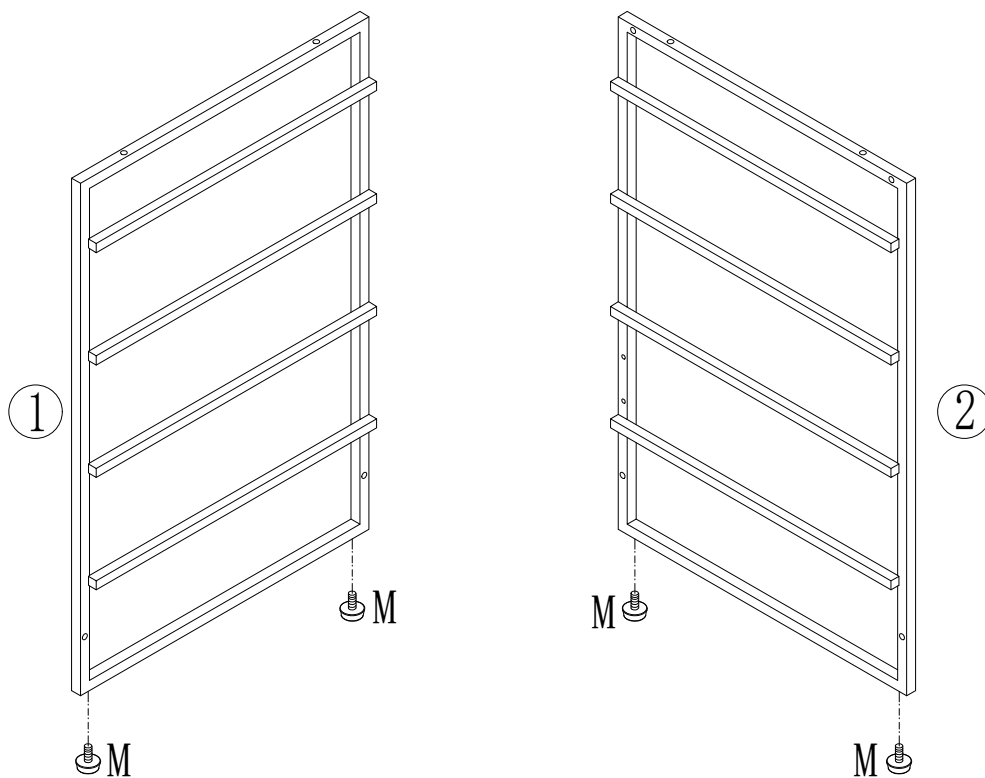
L		2PCS
---	---	------






STEP21


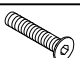


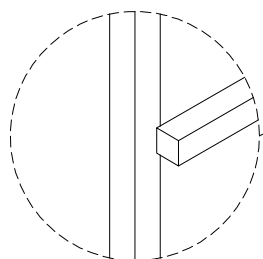
STEP22



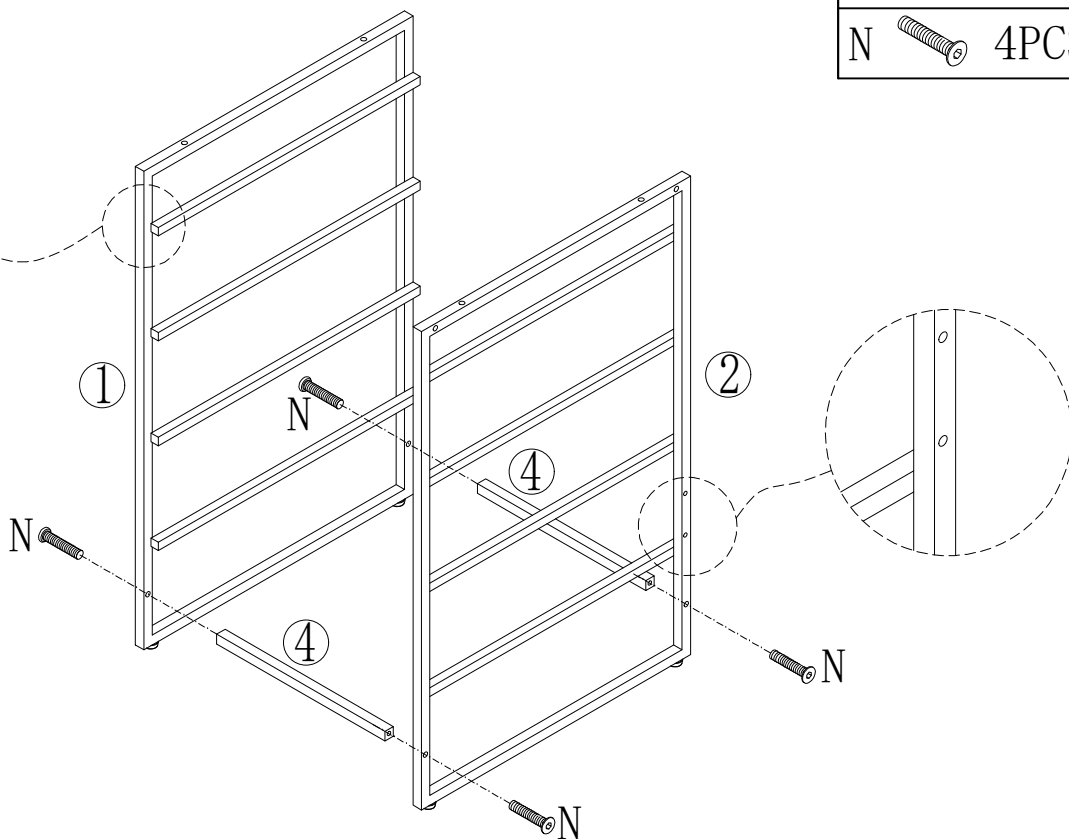
1		1PCS
2		1PCS
M		4PCS

STEP23


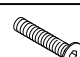
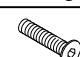
4		2PCS
N		4PCS

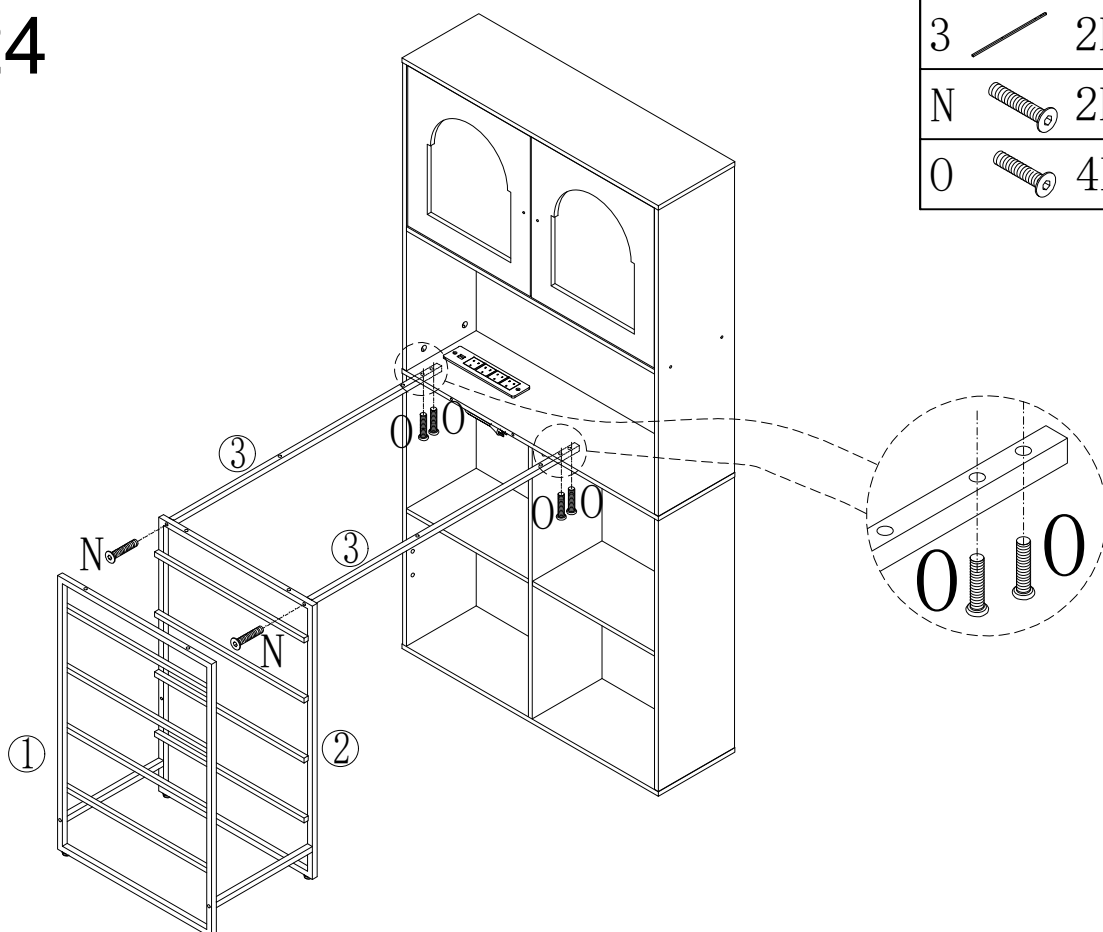


Note that the thinner iron pipe is on the inside

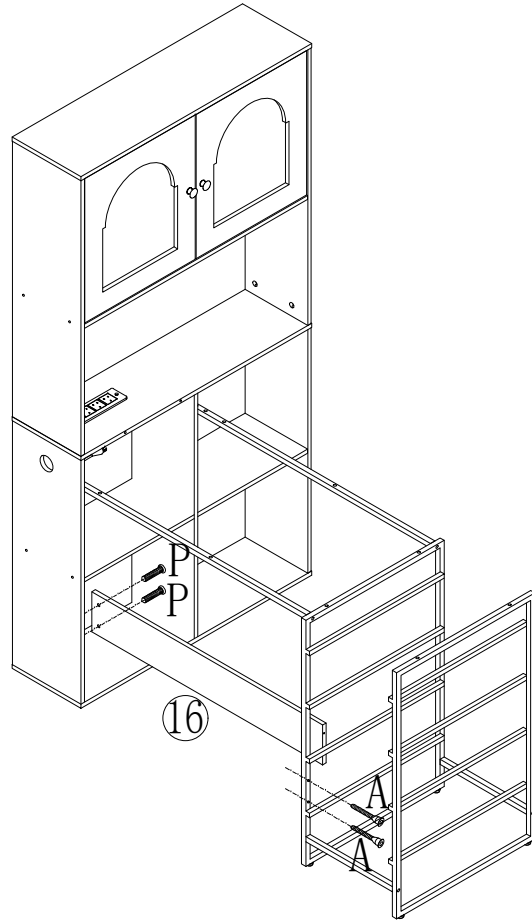


STEP24

3		2PCS
N		2PCS
O		4PCS

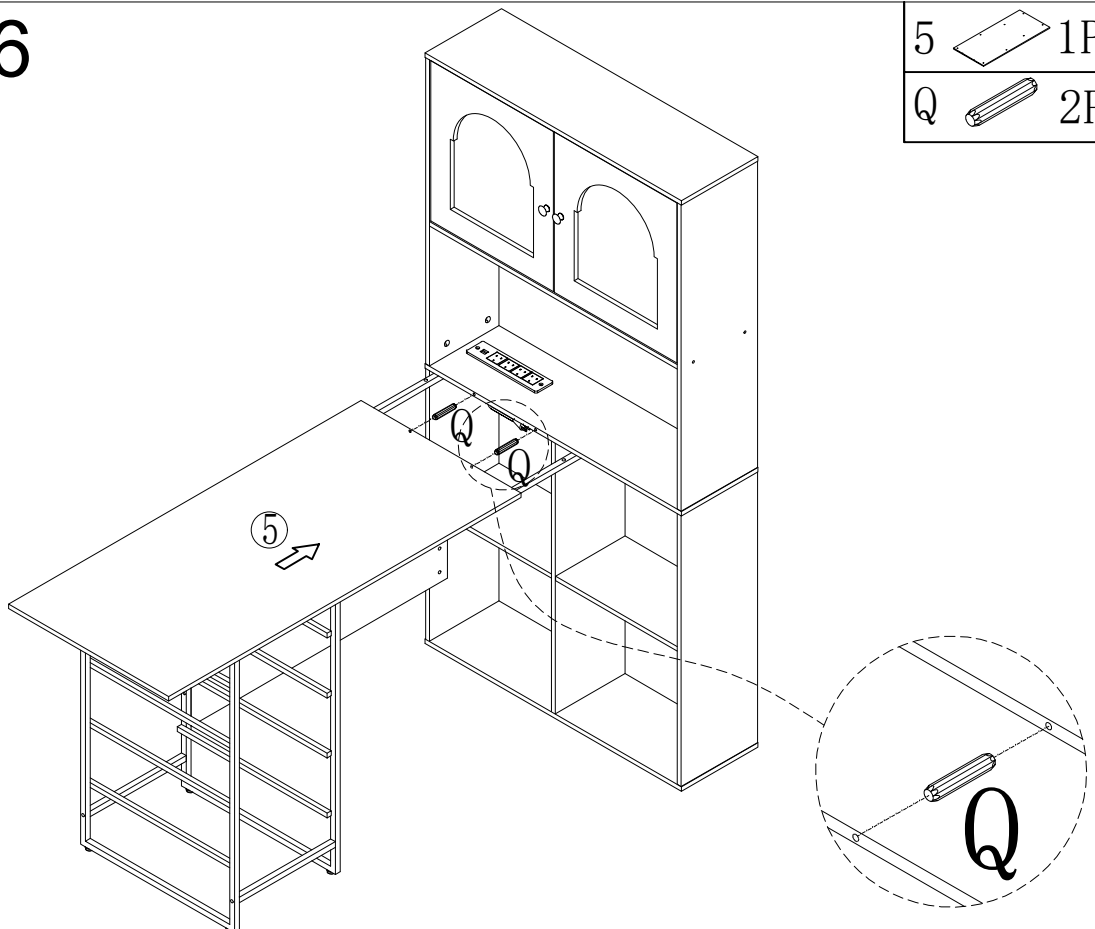


STEP25



16		1PCS
A		2PCS
P		2PCS

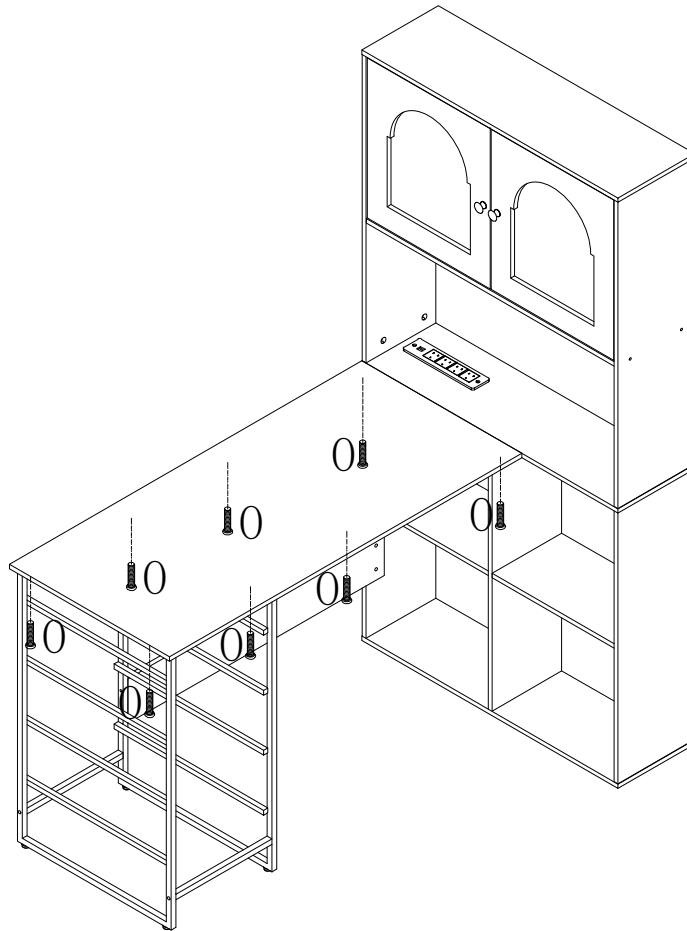
STEP26



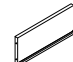
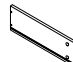
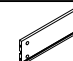
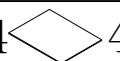

5		1PCS
Q		2PCS

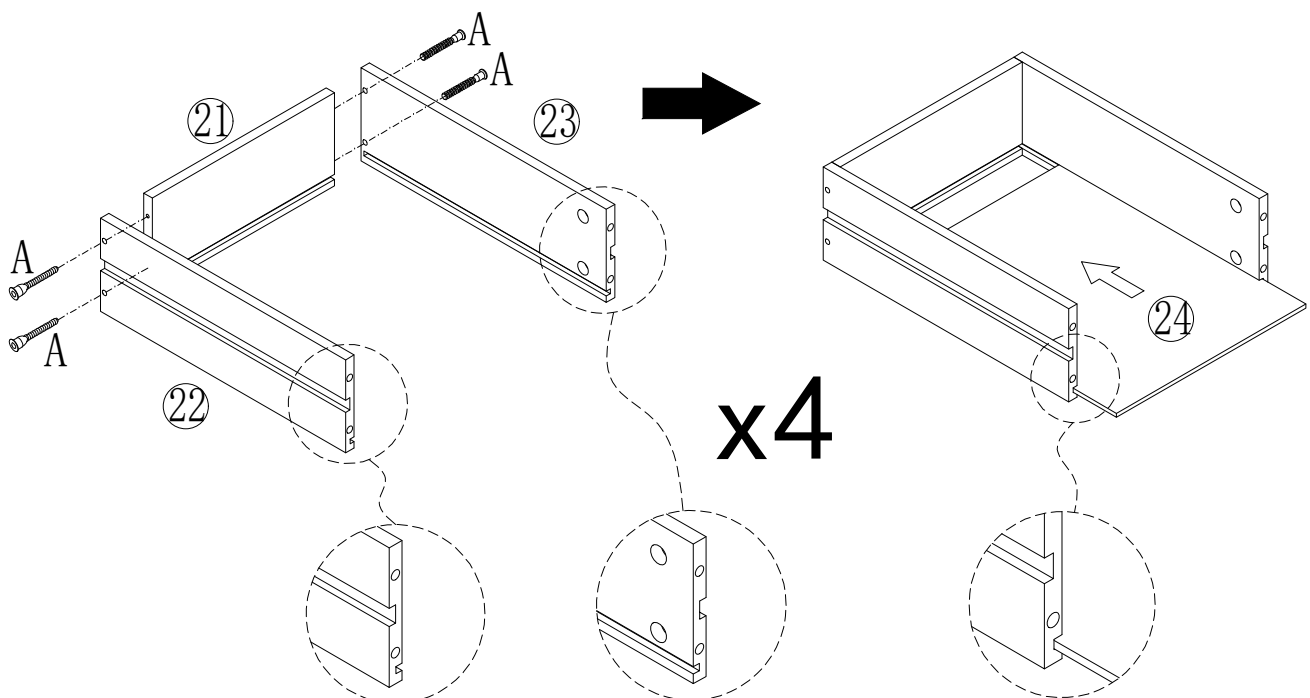
STEP27

0  8PCS

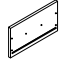






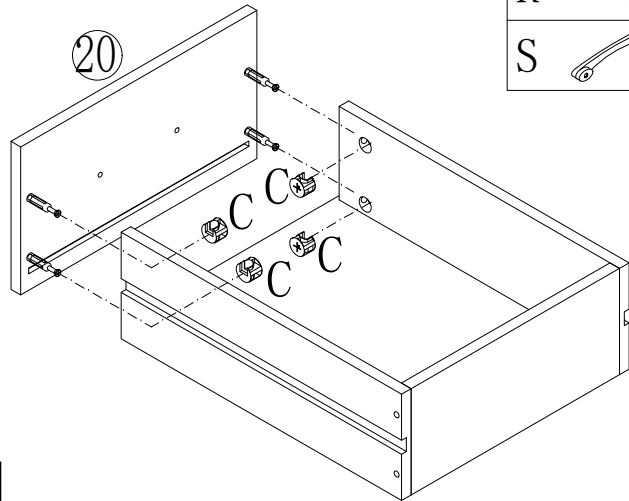
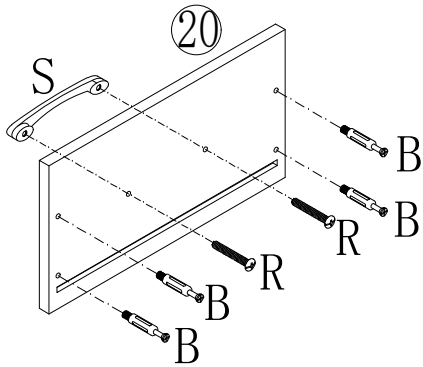
STEP28

21  4PCS	23  4PCS
22  4PCS	24  4PCS
A  16PCS	



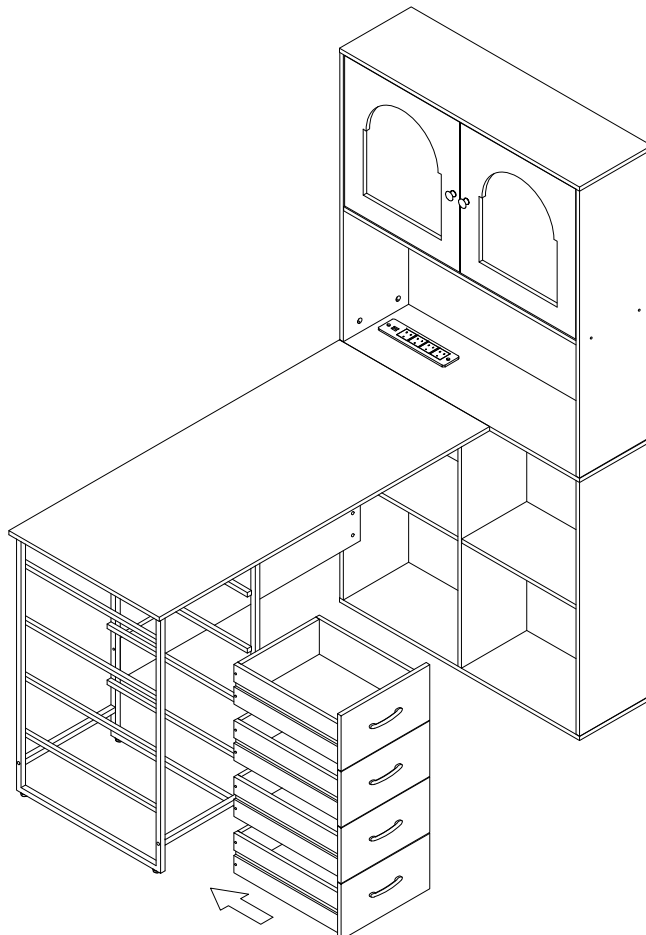
STEP29

20		4PCS
B		16PCS
C		16PCS
R		8PCS
S		4PCS

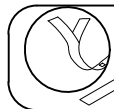


x4

STEP30




STEP31

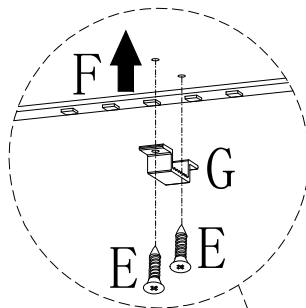


Please pay attention to the plastic film removed when pasting

E  6PCS

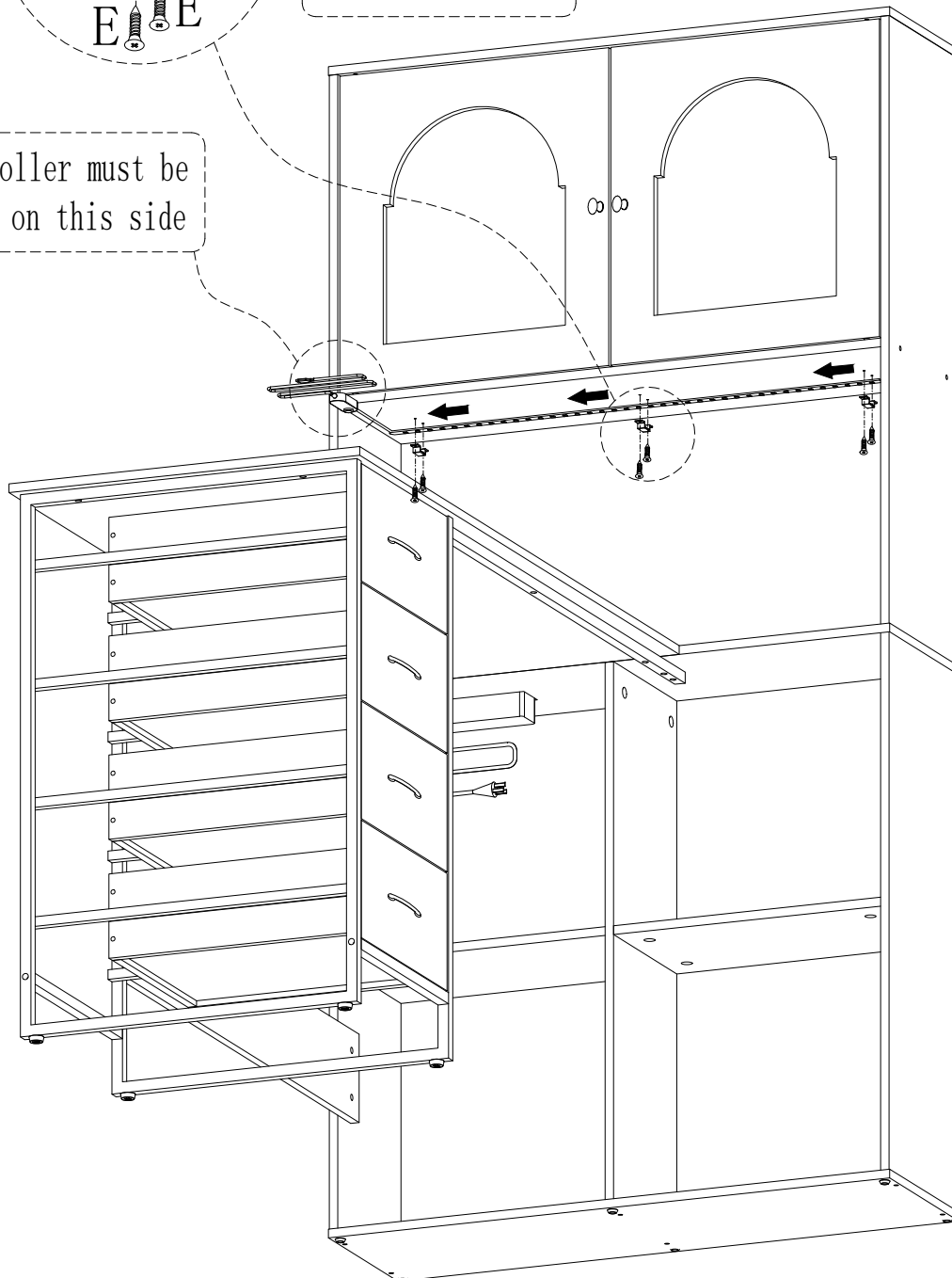
F  1PCS

G  3PCS





The light strip is pasted between the two positioning holes

The controller must be installed on this side



STEP 32

T1  12PCS

T2  12PCS

