
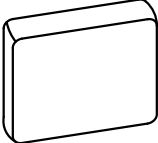
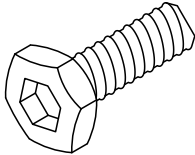
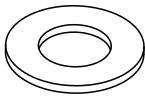



# Assembly Instructions

Please read this before you proceed.

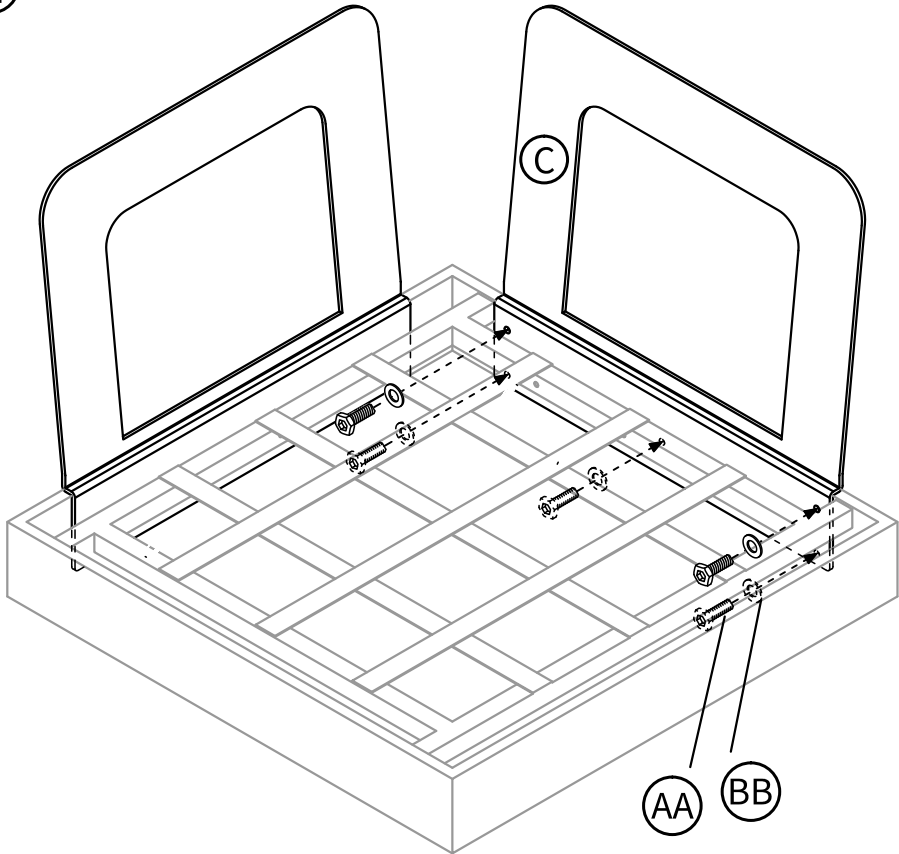
NUMBER	COMPONENT	QUANTITY
C	 Aluminum Backrest Panel	1PC
F	 Corner Cushion	1PC

# Assembly Instructions

NUMBER	COMPONENT	QUANTITY
AA	 <p data-bbox="676 475 841 507">Bolt M6*20</p>	5+2PCS
BB	 <p data-bbox="613 683 841 715">M6 Flat washer</p>	5+2PCS
CC	 <p data-bbox="650 882 841 914">M6 Allen Key</p>	1PC

# Assembly Instructions

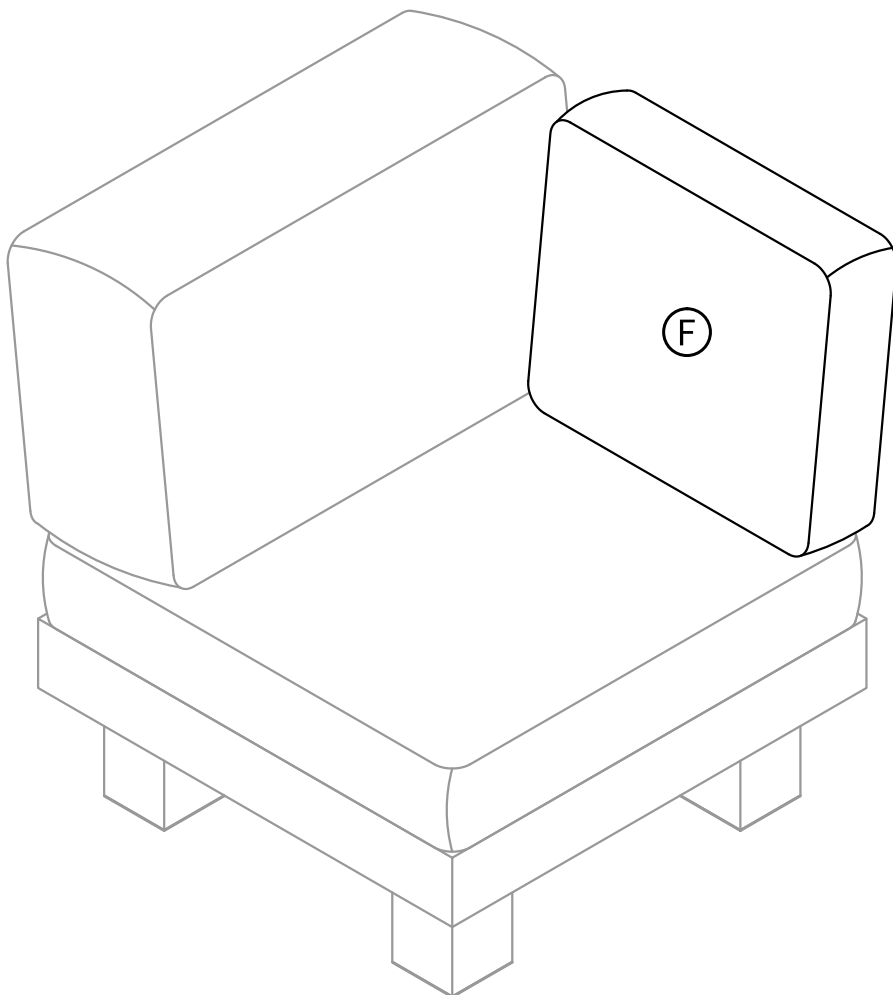
①



Place the Sofa Seat (B) on the surface with the seat support straps facing up. Attach one (1) Aluminum Backrest Panel (C) to a side of the Sofa Seat (B) using two (2) M6\*20 Bolts (AA) and two (2) M6 Flat Washers (BB) on each end. Add one (1) more M6\*20 Bolt (AA) with one (1) M6 Flat Washer (BB) in the center.

# Assembly Instructions

②



Place the Corner Cushion (F) against the other Aluminum Backrest Panel (C).