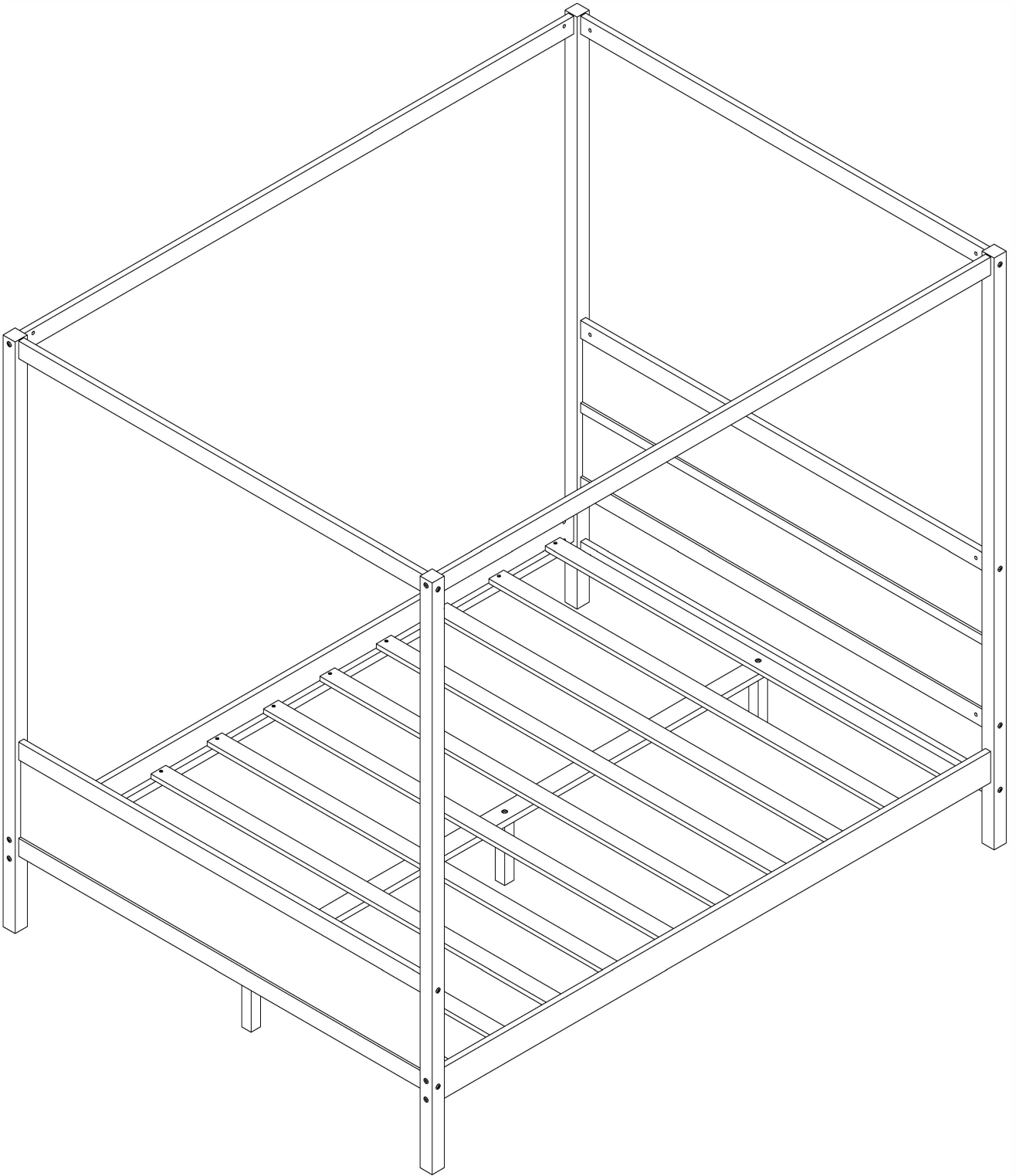


ASSEMBLY INSTRUCTION



SAFETY WARNINGS AND GENERAL NOTES:

Do not use substitute parts. Contact the manufacturer or dealer for replacement

Keep these instructions for future reference.

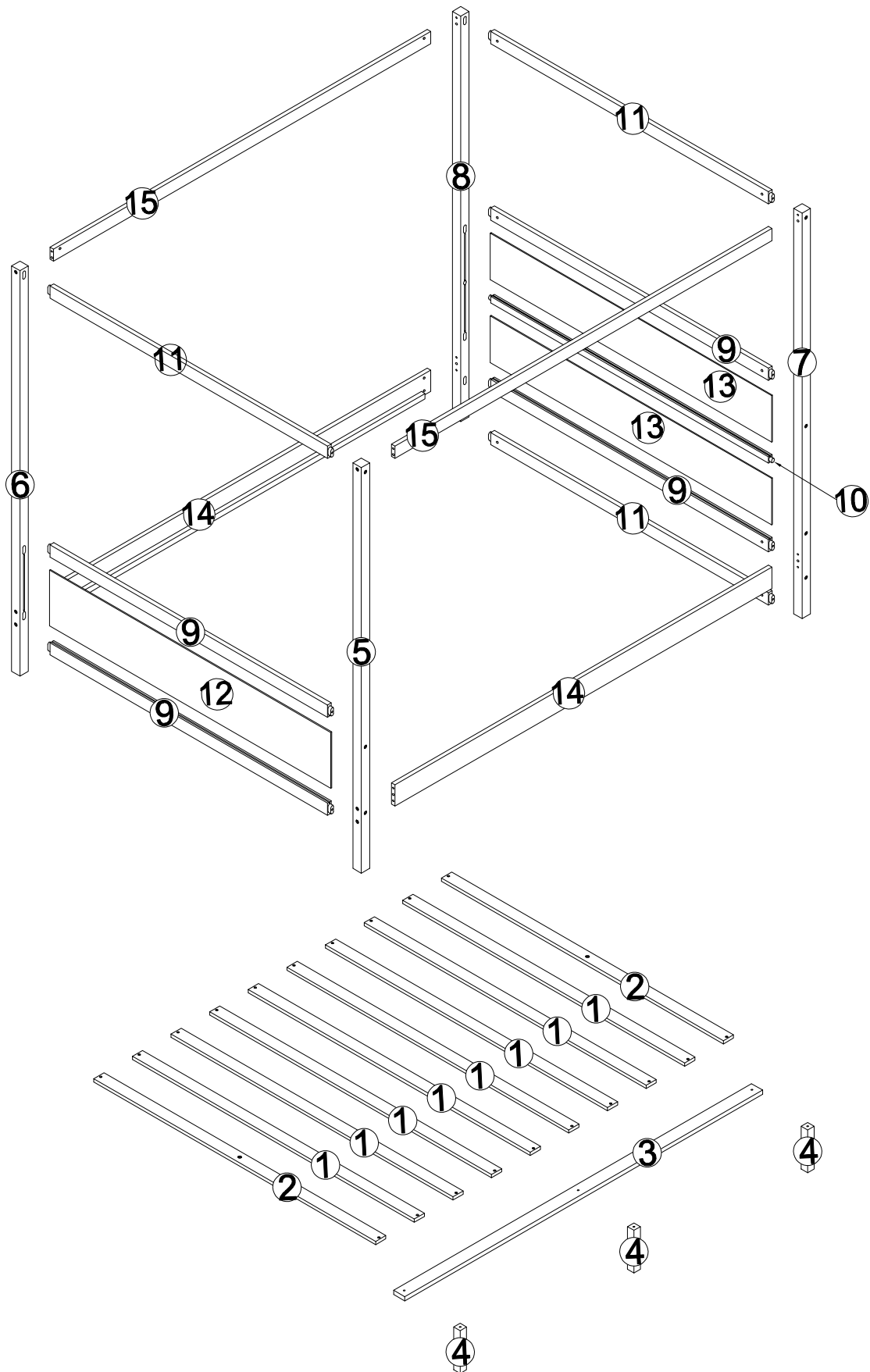
We recommend assembling your bed on the shipping carton to protect your floor

Be certain all staples are out of the box before beginning assembly on the shipping

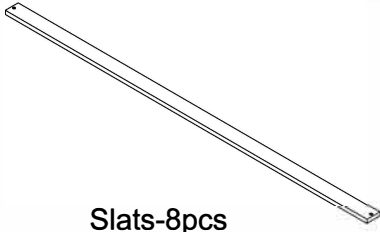
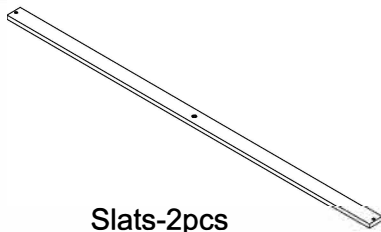
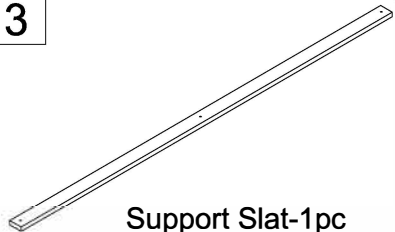







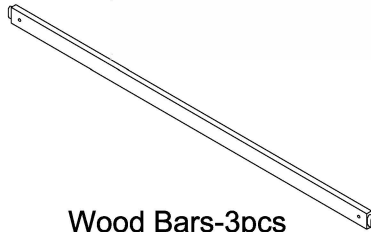
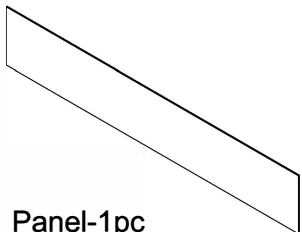
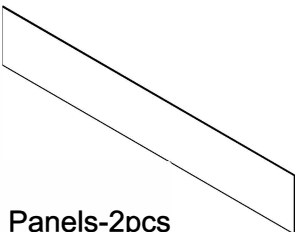
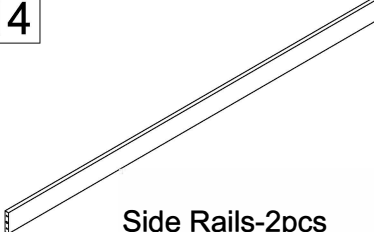
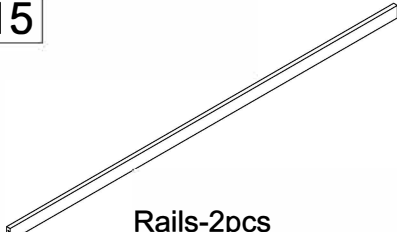
5.Replacement Parts:

Replacement Parts, including additional guardrails, may be obtained from any of our dealers



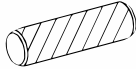



ASSEMBLY INSTRUCTION

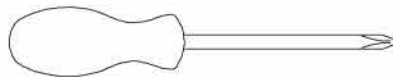


Part List & Hardware List

<p>1</p>  <p>Slats-8pcs</p>	<p>2</p>  <p>Slats-2pcs</p>	<p>3</p>  <p>Support Slat-1pc</p>
<p>4</p>  <p>Center legs-3pcs</p>	<p>5</p>  <p>Leg-1pc</p>	<p>6</p>  <p>Leg-1pc</p>
<p>7</p>  <p>Leg-1pc</p>	<p>8</p>  <p>Leg-1pc</p>	<p>9</p>  <p>Wood Bars-4pcs</p>
<p>10</p>  <p>Wood Bar-1pc</p>	<p>11</p>  <p>Wood Bars-3pcs</p>	<p>12</p>  <p>Panel-1pc</p>
<p>13</p>  <p>Panels-2pcs</p>	<p>14</p>  <p>Side Rails-2pcs</p>	<p>15</p>  <p>Rails-2pcs</p>

Hardware List



A  Ø1/4" x 90mm Hex-Head bolts 26pcs	B  Ø1/4" x 13 mm Horizontal-Hole bolts 26pcs	C  Ø10 x 40 mm Wood dowel 8pcs
D  Ø1/4" x 50mm Hex-Head bolts 2pcs	E  Ø1/4" x 35mm Hex-Head bolts 1pc	F  M4 x 30 mm Wood Screws 20pcs

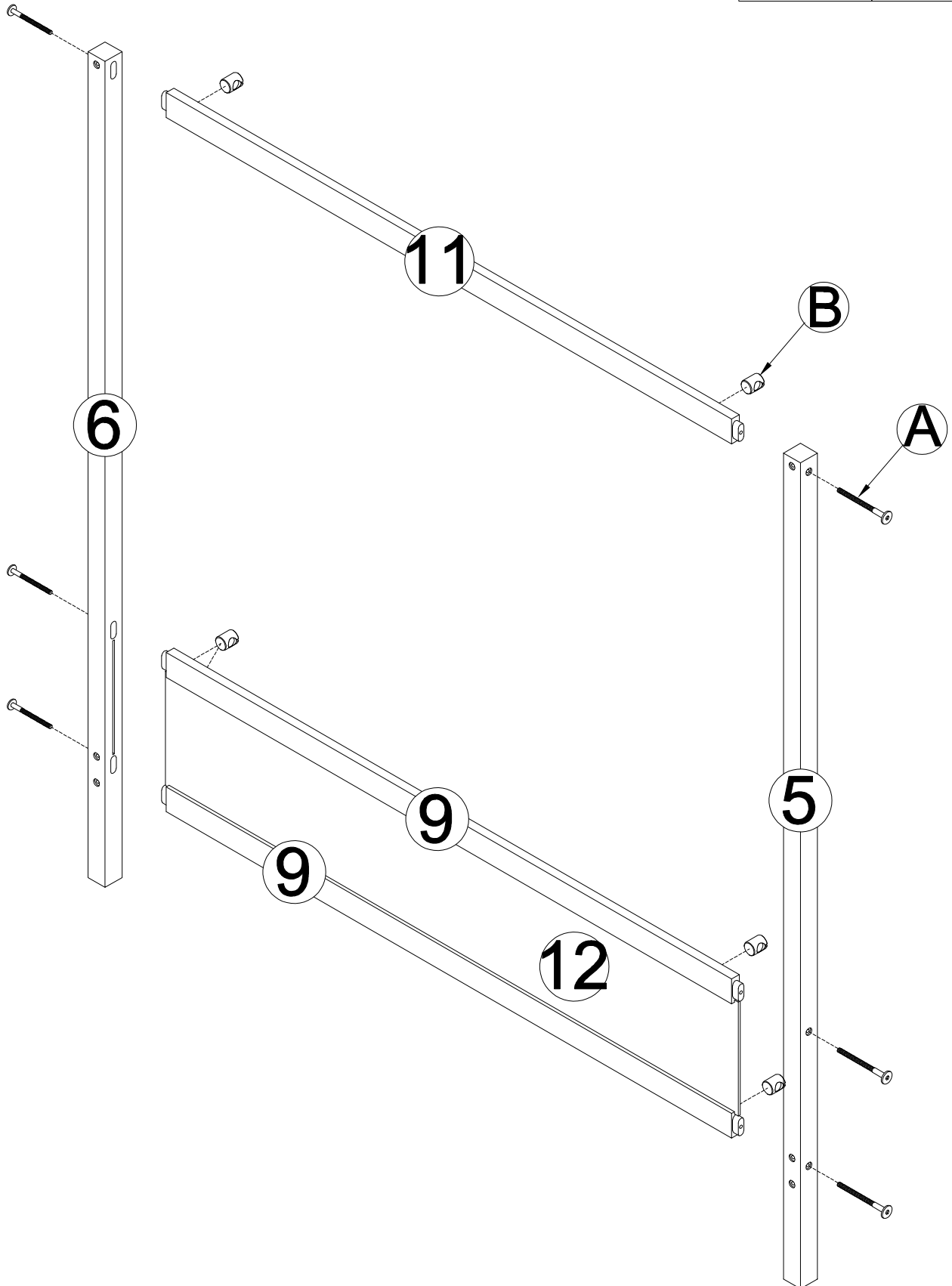


Assembly Tools Required (Not Included)

STEP 1: Following below illustration:

-Using hardware #A,#B Connect 9(x2),11 Wood Bar and 12 Panel With 5,6 Legs
-Look at detail view for more detail



A	B
	
6pcs	6pcs

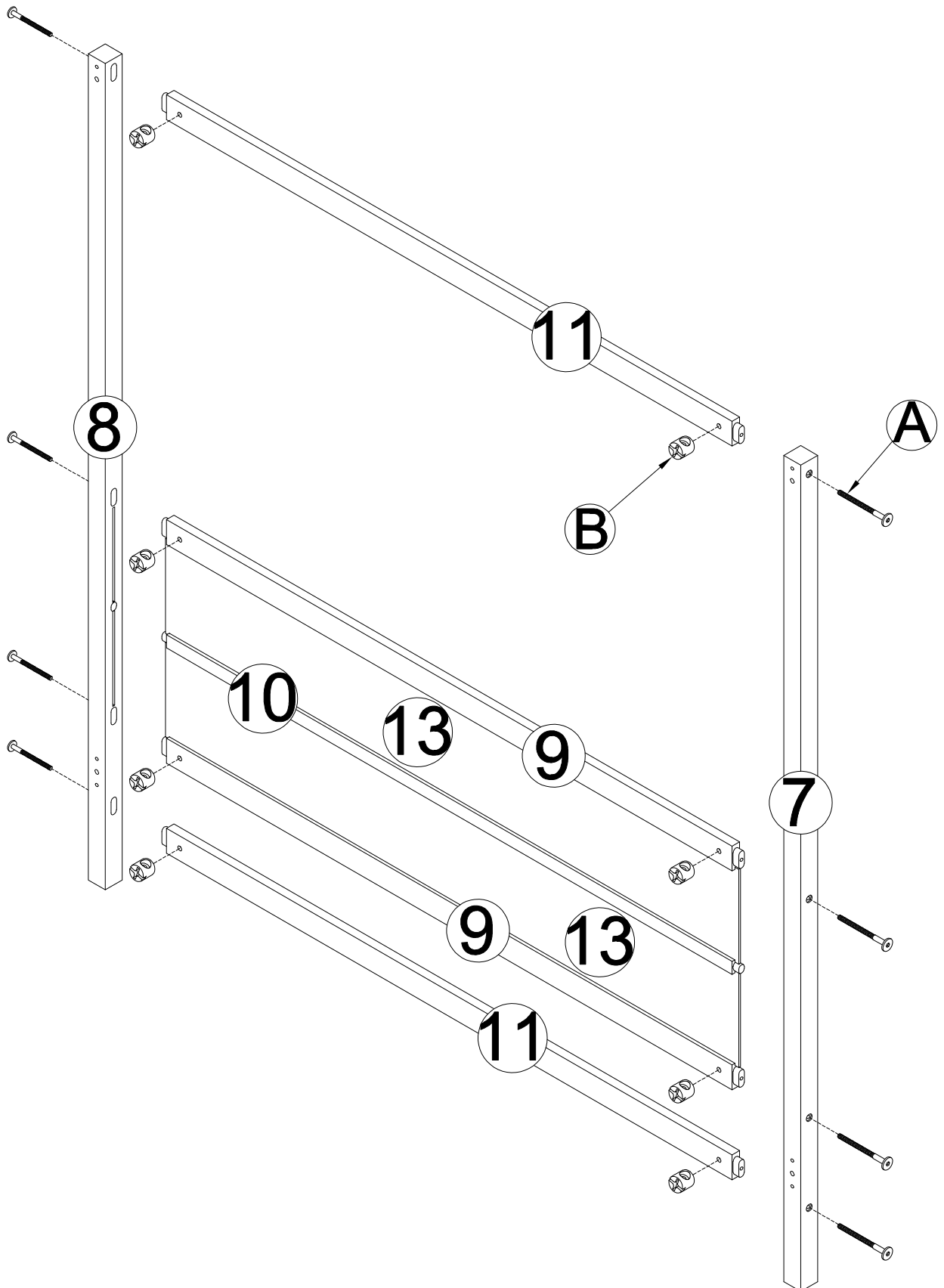


STEP 2: Following below illustration:

-Using hardware #A,#B Connect 9(x2),10,11(x2) Wood Bar and 13(x2) Panels With 7,8 Legs

-Look at detail view for more detail




A 	B 
8pcs	8pcs

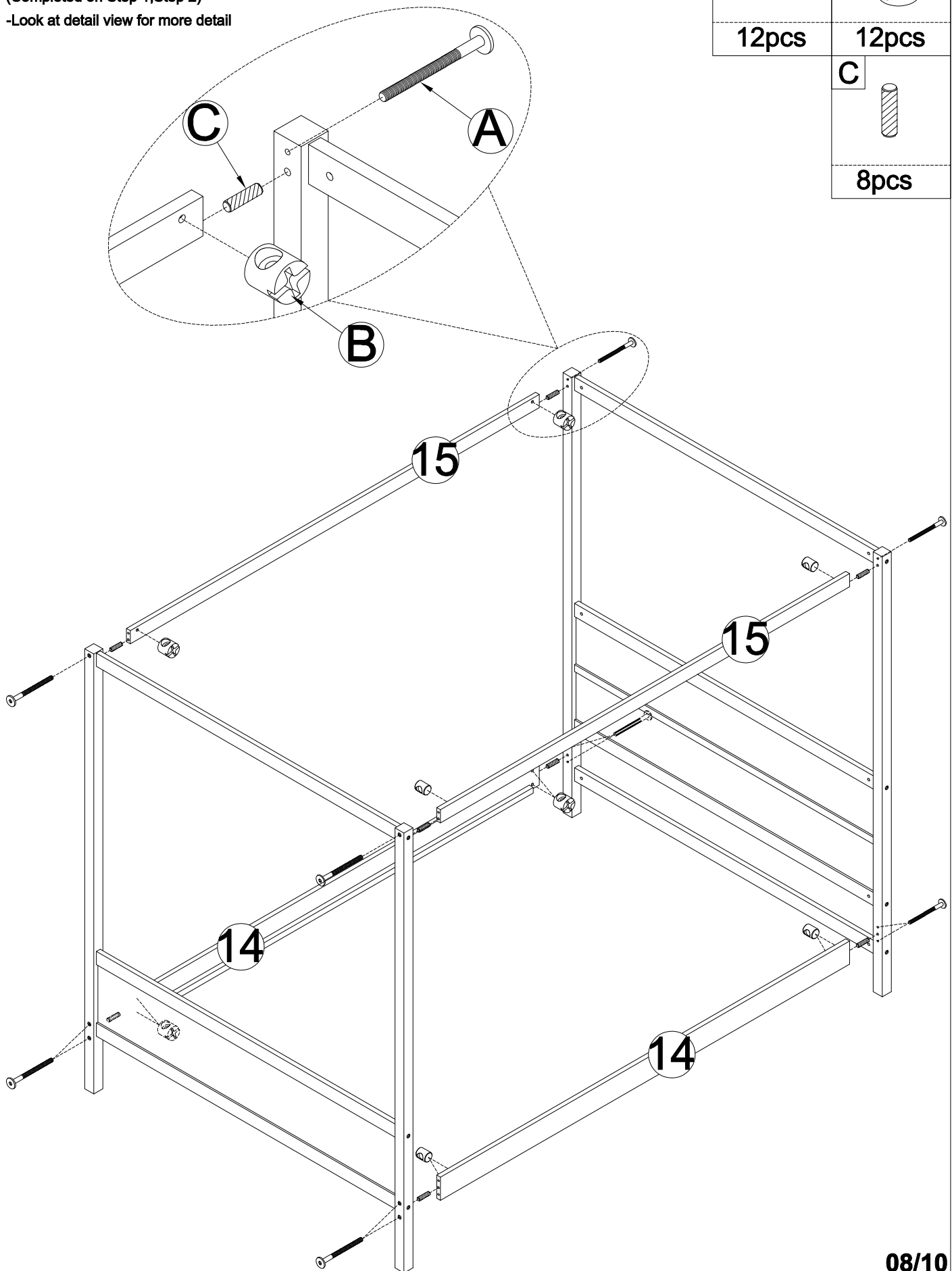


STEP 3: Following below illustration:

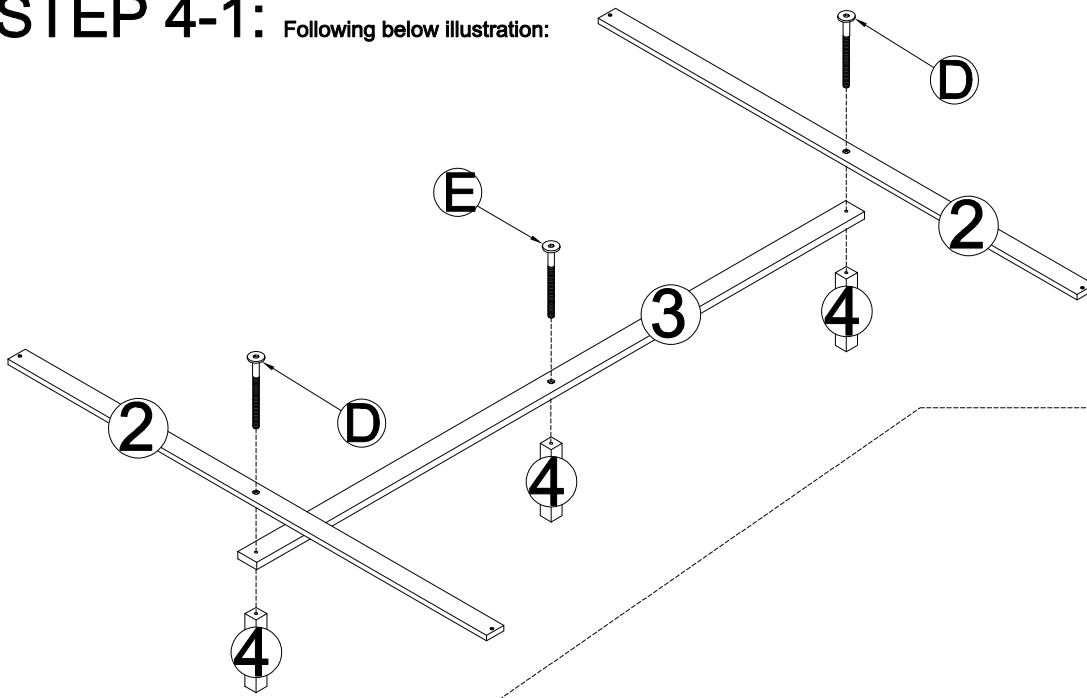
-Using hardware #A,#B and Dowel C Connect 14(x2) Side Rails and 15(x2) Rails With Frames
(Completed on Step 1, Step 2)




-Look at detail view for more detail

A  12pcs	B  12pcs
C  8pcs	

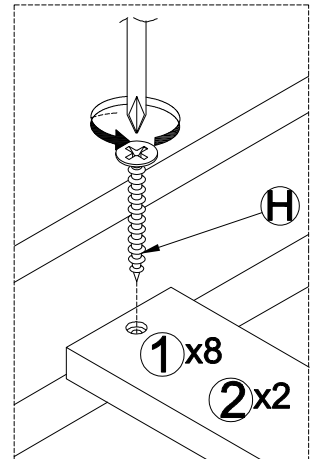
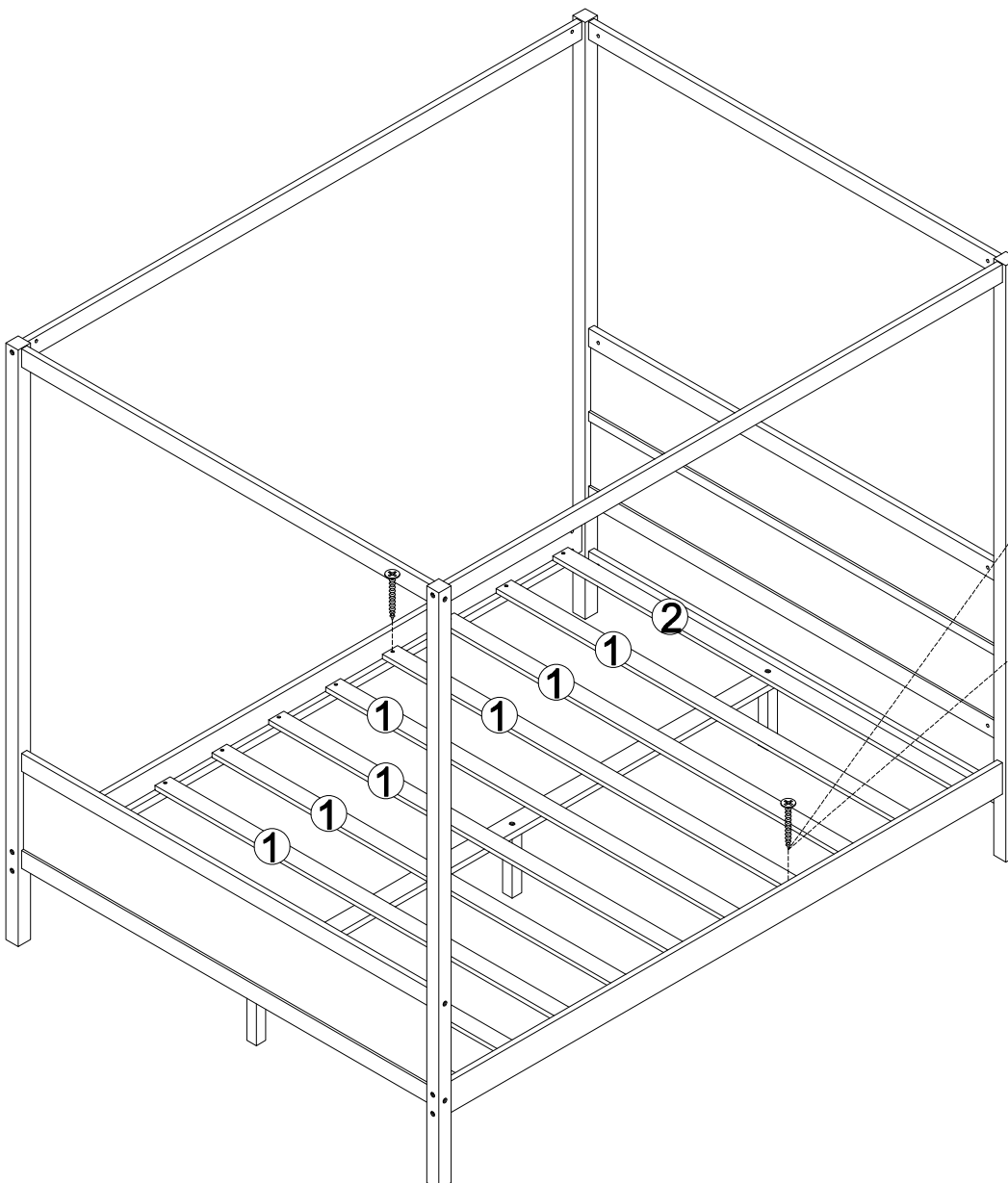


STEP 4-1: Following below illustration:



D		2pcs
E		1pc
F		20pcs

STEP 4-2: Following below illustration:



CONGRARULATION. YOU HAVE COMPLETED THE BED

