

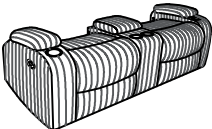



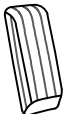

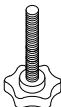
Assembly Instruction

Double Reclining Loveseat With Center Console & Cup Holders

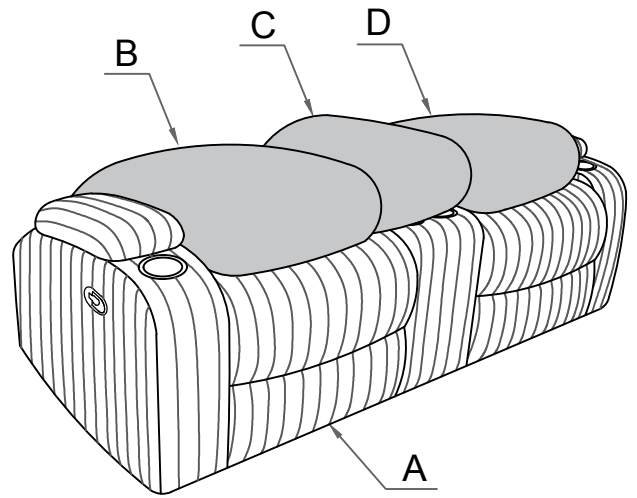
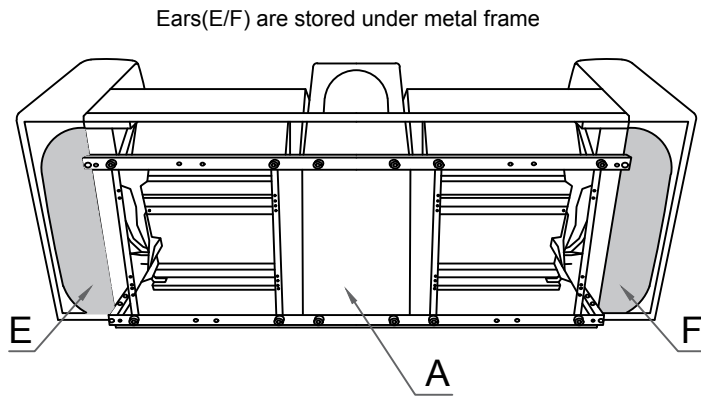


Note: Do not use power tools for assembly. Power tools increase the risk of over tightening which lead to splitting or cracking the wood.

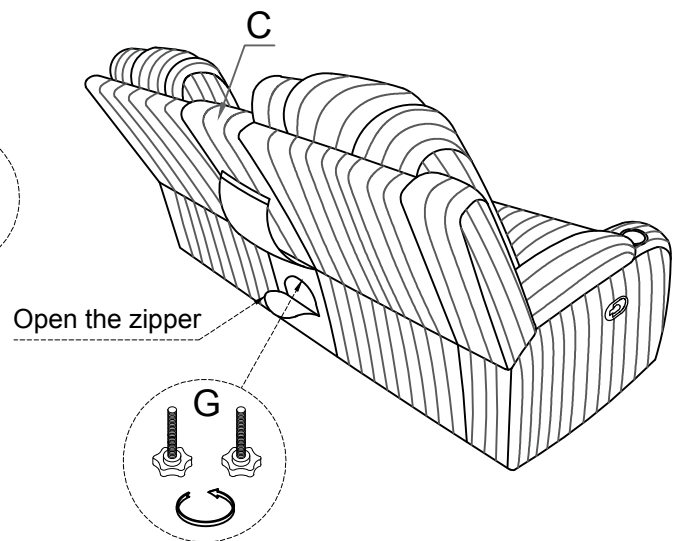
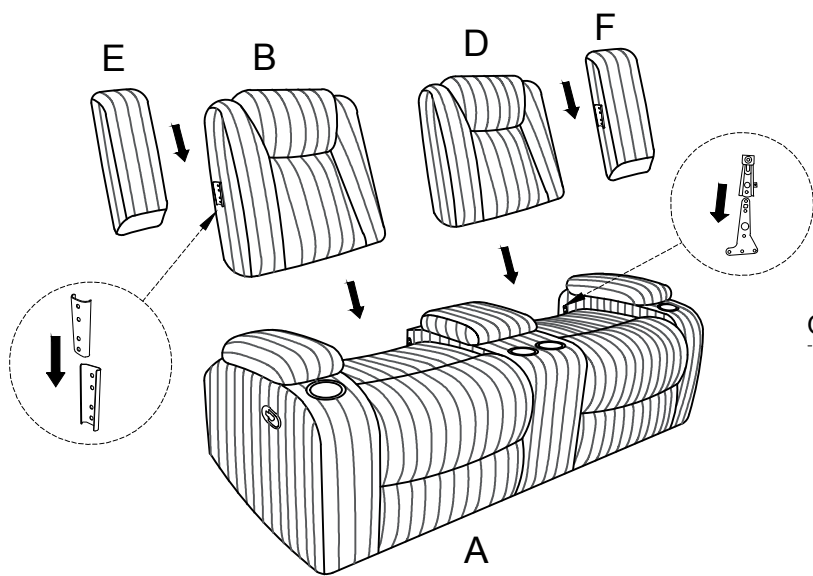
COMPONENT LIST

No	Drawing	Description	Qty
A		SEAT	1 PC
B		LSF BACK REST	1 PC
C		CONSOLE BACK REST	1 PC
D		RSF BACK REST	1 PC
E		LSF EAR	1 PC
F		RSF EAR	1 PC
G		STAR KNOB	2 PCS

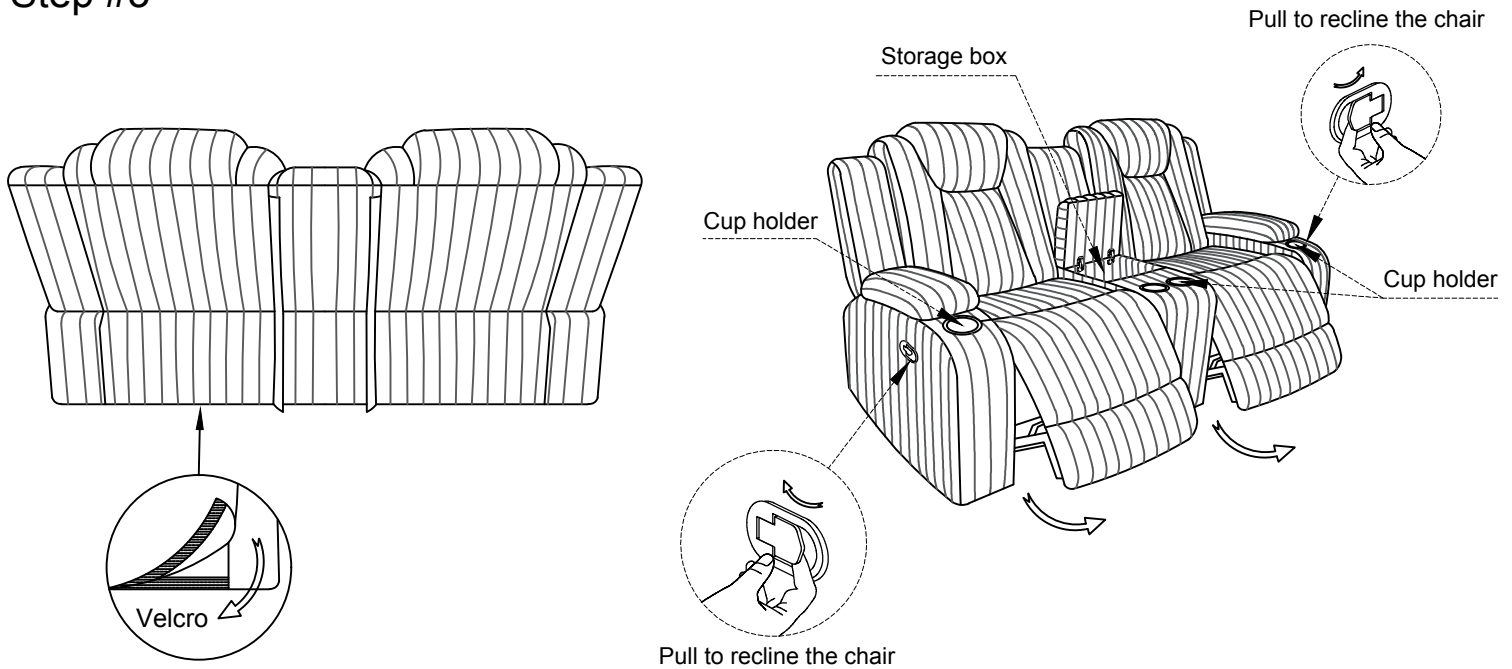
Step #1



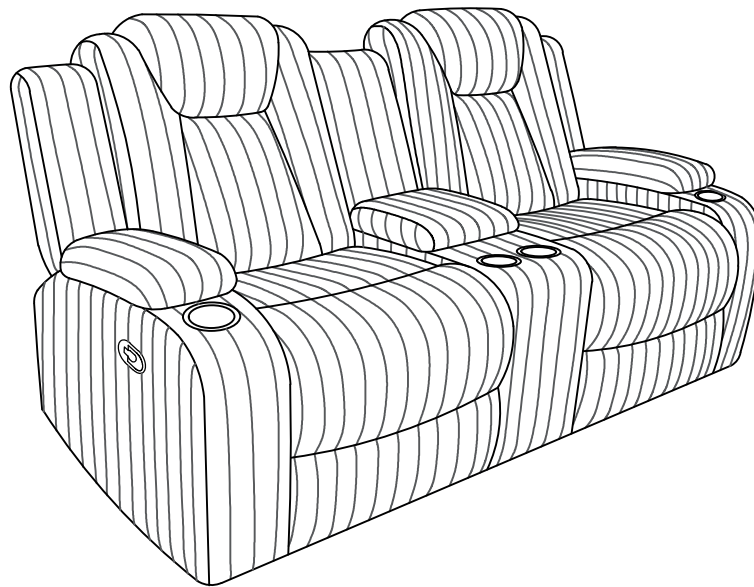
Step #2



Step #3



COMPLETED



Care Instruction for Corduroy Furniture:

In order to maintain the original appearance of your Corduroy Furniture, please follow below simple care procedures:

- Avoid exposing furniture directly to sunlight or heating and air conditioning outlets. Sunlight and/or exposure to heating and air conditioning outlets will fade/damage Corduroy.
- Vacuum or wipe with a soft cloth to remove dust.
- Hardware may loosen over time. Periodically check to make sure all connections are tight, Re-tighten if necessary.



For items use on wooden floor, hard surfaces or carpets, it is recommended to Install protective pads under all legs and supports to avoid/prevent from damages/scratches and discoloration.