

ITEM NO: KYW-5423F
StepStool W/Storage



▲ WARNING:

Small parts and sharp points may be present prior to assembly.

Care Instructions

To clean your product, use mild soap and water on a damp cloth. Do not use window cleaners or cleaning abrasives as they will scratch the surface and could damage the protective coating.

Customer Service

For questions regarding this product, or to receive replacement or missing parts, please contact customer service based on your location. Please have ready the model number and part number(s) located in this assembly instruction sheet when you contact us.

USA: partsandreplacements@teamson.com or 1-800-935-3959

UK: sales@modo-international.com Australia: preece@thetoyworkshop.com

HARDWARES:



PRODUCT PARTS:

<p>A</p> <p>1PC</p>	<p>B</p> <p>1PC</p>	<p>C</p> <p>1PC</p>	<p>D</p> <p>1PC</p>
<p>E</p> <p>1PC</p>	<p>F</p> <p>1PC</p>	<p>G</p> <p>1PC</p>	<p>H</p> <p>1PC</p>

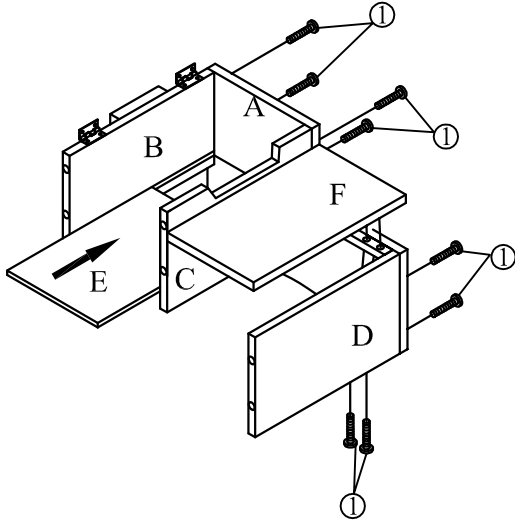
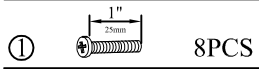
Imported and distributed by:

USA: Teamson Design Corp. 250W Executive Dr. Edgewood, NY 11717, www.teamson.com

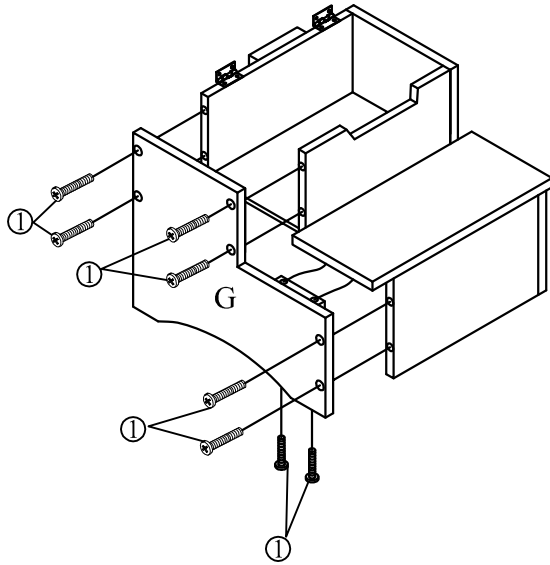
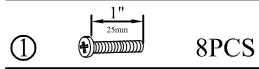
UK: Modo UK Ltd. Harlescott Lane, Shrewsbury SY1 3AG, www.modotoys.com

Australia: The Toy Workshop Pty Ltd. Villas Road, Dandenong, Victoria 3175, www.modotoys.com

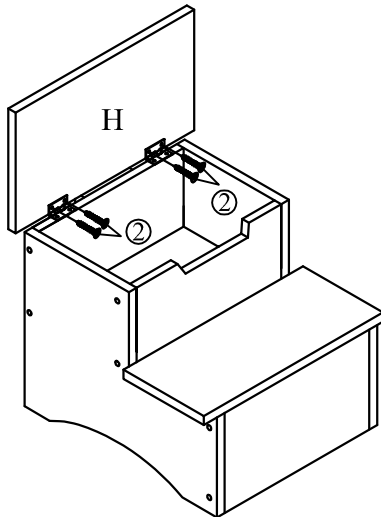
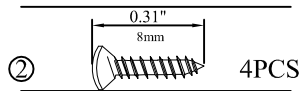
STEP 1



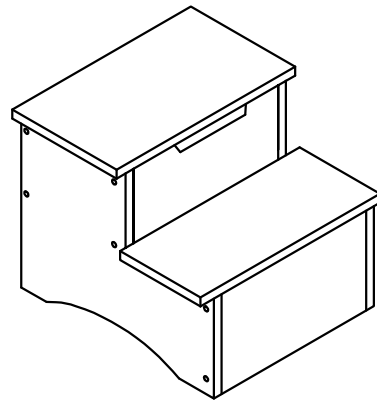
STEP 2



STEP 3



STEP 4



(Finished Product)

MADE IN CHINA

Imported and distributed by:

USA: Teamson Design Corp. 250W Executive Dr. Edgewood, NY 11717, www.teamson.com

UK: Modo UK Ltd. Harlescott Lane, Shrewsbury SY1 3AG, www.modotoys.com

Australia: The Toy Workshop Pty Ltd. Villas Road, Dandenong, Victoria 3175, www.modotoys.com