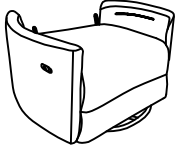


ASSEMBLY INSTRUCTIONS

MANUAL SWIVEL GLIDER RECLINER

A Seat



1PC

B Backrest



1PC

C Left Arm Pillow

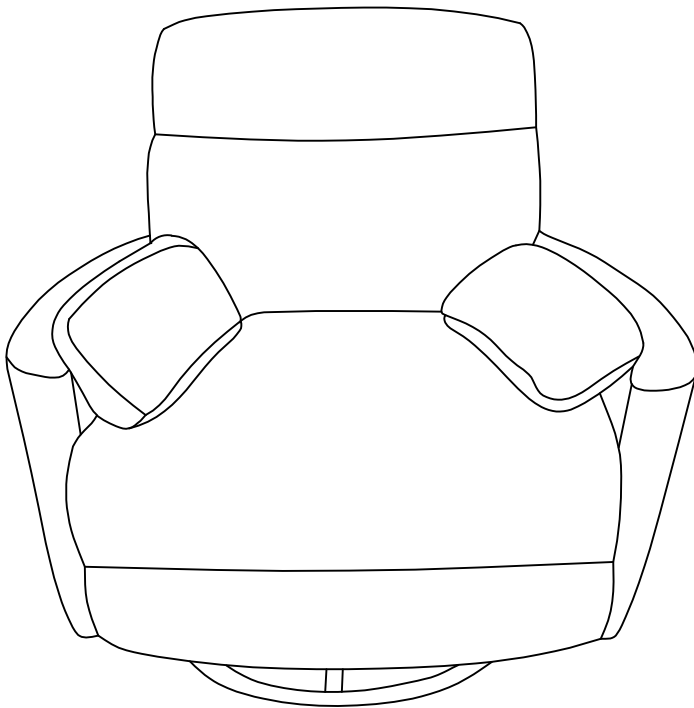


1PC

D Right Arm Pillow

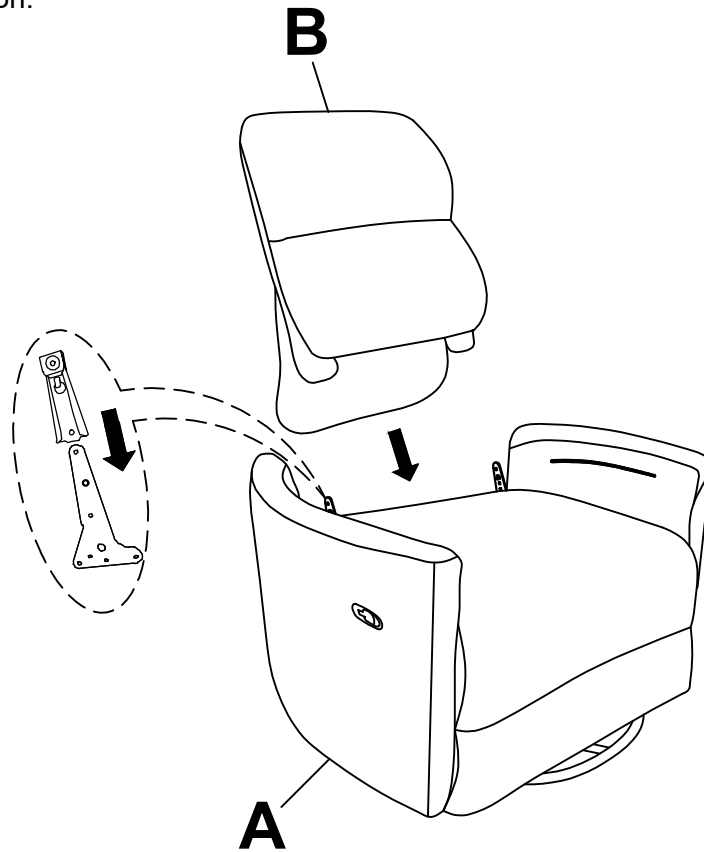


1PC

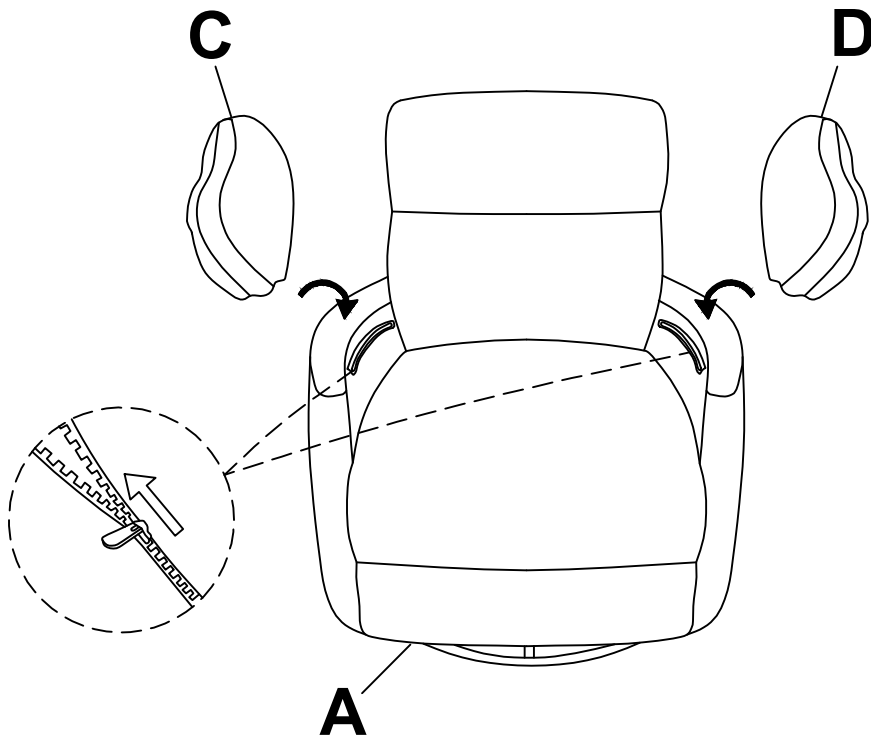


This page lists all the contents included in the box. Please take the time to identify the hardware as well as the individual components to this product. As you unpack and prepare for assembly, place the contents on a carpeted or padded area to protect them from damage.

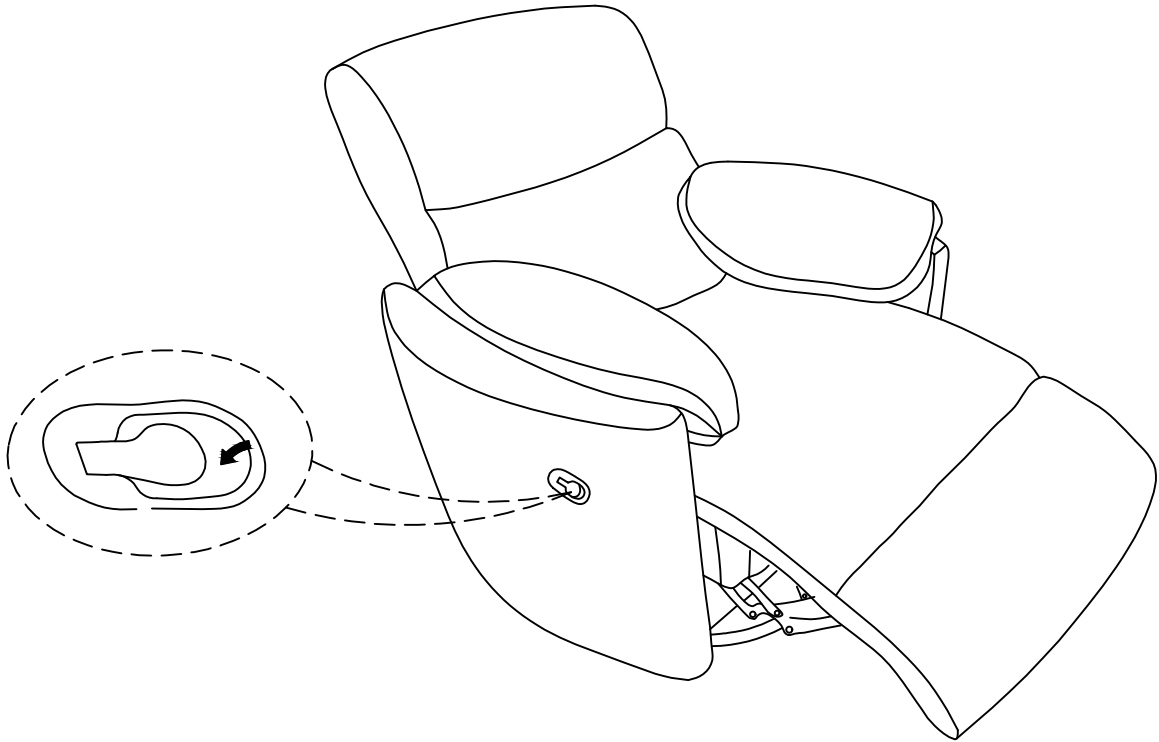
-
- 1** Attach the Backrest (B) to the Seat (A) using the brackets as shown. Ensure the brackets are secured in position.



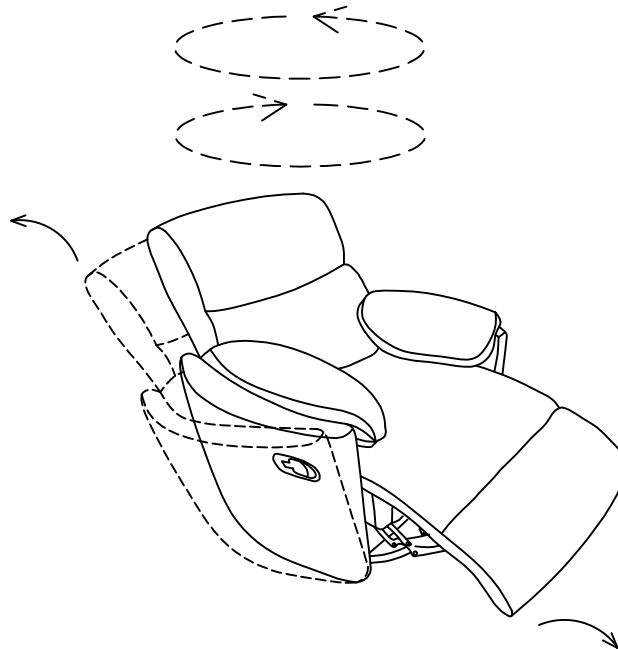
-
- 2** Attach the Left Arm Pillow (C) and Right Arm Pillow (D) to the Seat (A) with the zipper.



3 Use the lever to recline the chair.



4 Performs two functions: recline and rotate at the same time



Cleaning & Care

Treat surfaces with care. Surfaces are resistant to scratches but are not scratch resistant. Clean surfaces with a dry or damp soft cloth. Do not use abrasive cleaners. Hardware may loosen over time. Periodically check that all connections are tight.