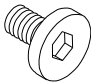
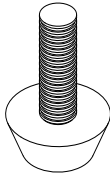
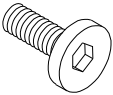
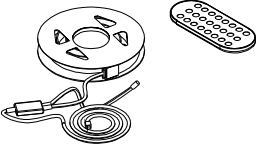
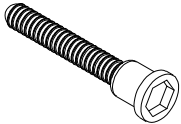
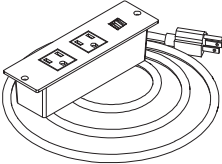
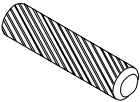
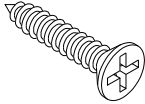
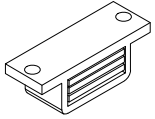
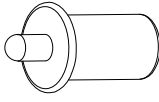
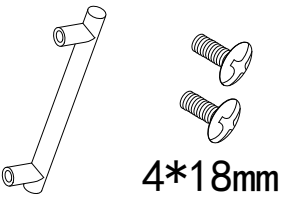
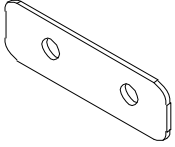
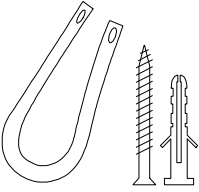

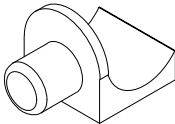
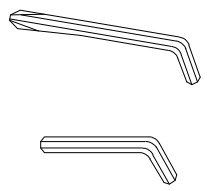


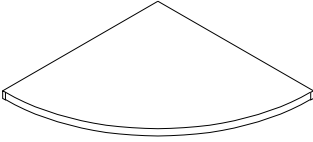
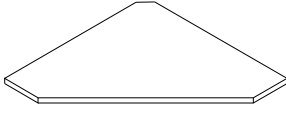
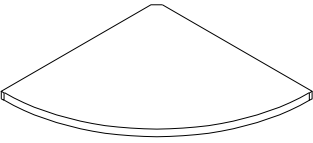
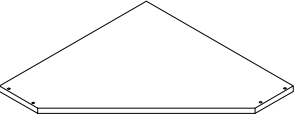
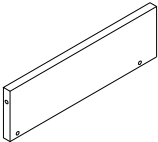

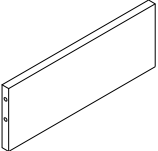

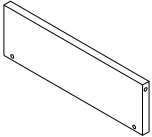

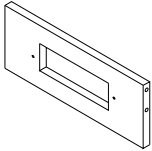

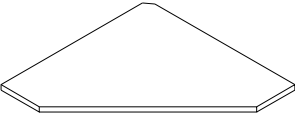
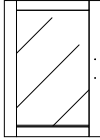
IMPORTANT RETAIN FOR FUTURE REFERENCE: READ CAREFULLY

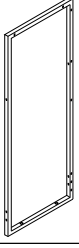
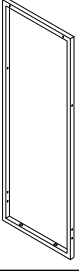
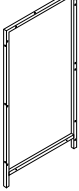
Notice

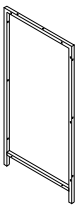
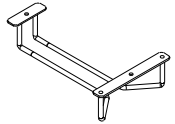
- Follow the installation instructions. Please confirm all accessories are present before installation.
- Do not fully tighten the screws during initial assembly. Fully tighten screws only once all pieces which are correctly assembled.
- If you encounter any problems during installation, refer to two solutions: Follow the installation video tutorial on the product page or contact our customer service.

Item no.	Reference Image	Qty.	Item no.	Reference Image	Qty.
A	 6*12mm	X4	E		X4
B	 6*25mm	X6	F		X1
C	 5*50mm	X50 +5	G		X1
D	 6*30mm	X4	H	 3.5*12mm	X10 +1

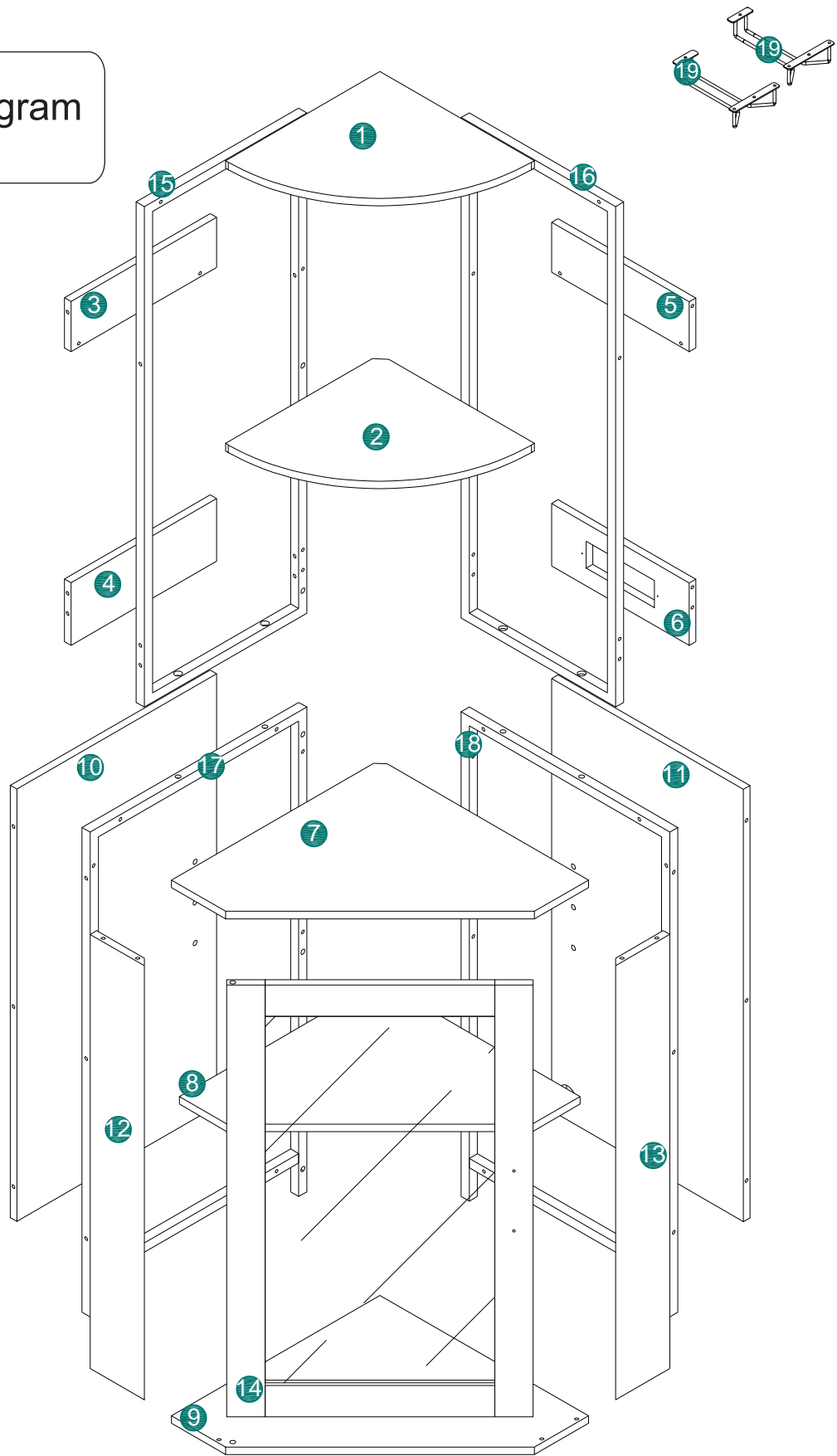
Item no.	Reference Image	Qty.	Item no.	Reference Image	Qty.
I		X1	M		X2
J	 4*18mm	X1	N		X1
K		X1	O		X1
L		X4	P	 M4 M3	X1

Item no.	Reference Image	Qty.	Item no.	Reference Image	Qty.
1		X1	8		X1
2		X1	9		X1
3		X1	10		X1
4		X1	11		X1
5		X1	12		X1
6		X1	13		X1
7		X1	14		X1

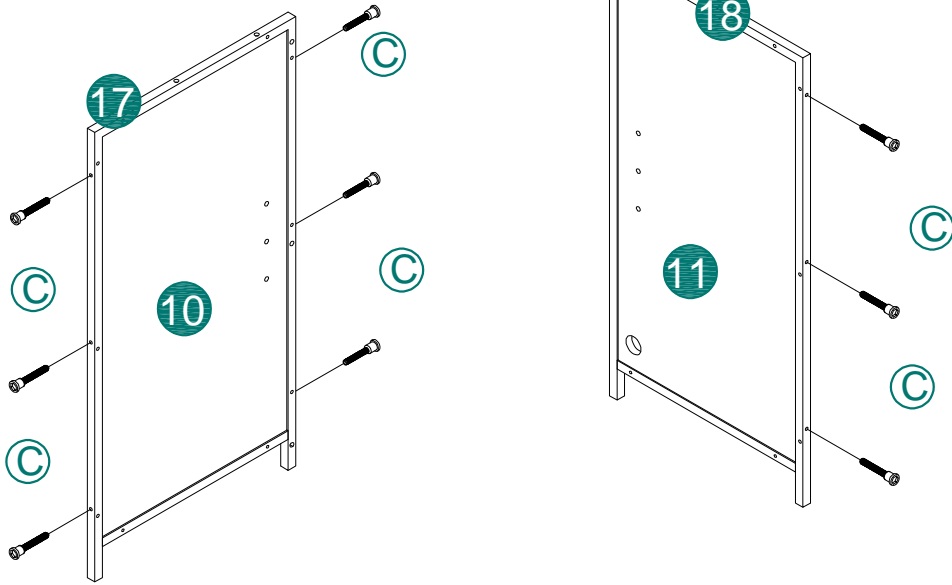
Item no.	Reference Image	Qty.
15		X1
16		X1
17		X1


Item no.	Reference Image	Qty.
18		X1
19		X2

Explosion Diagram

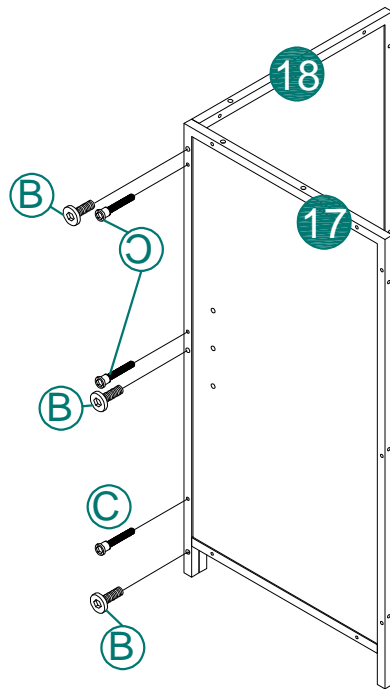



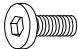
1



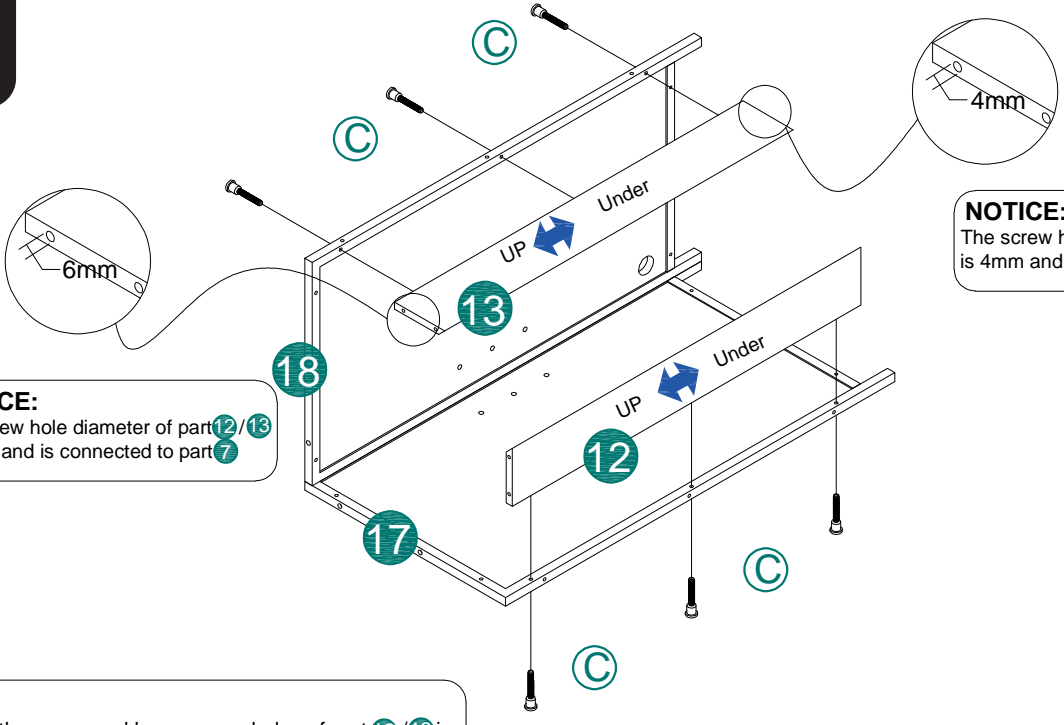
C		x9
---	---	----

2



C		x3
B		x3

3



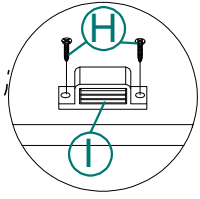
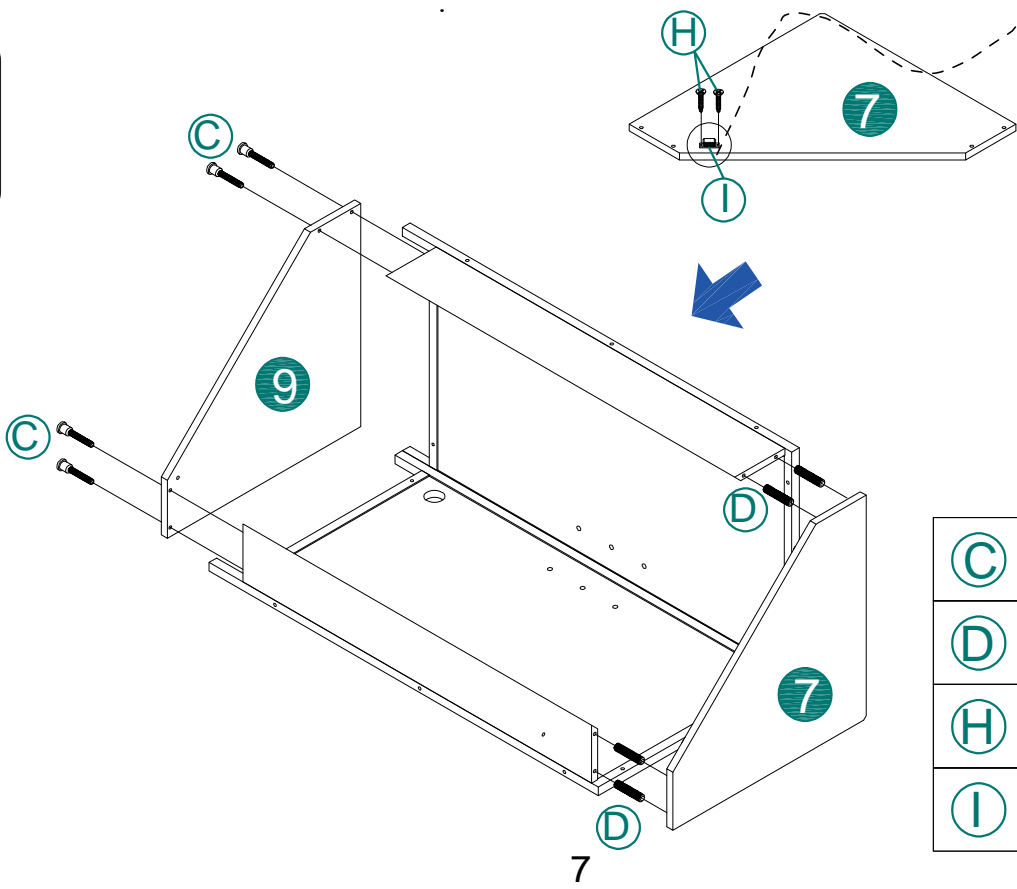
NOTICE:
The screw hole diameter of part 12/13 is 6mm and is connected to part 7

NOTICE:
The screw hole diameter of part 12/13 is 4mm and is connected to part 9

NOTICE:
The size of the upper and lower screw holes of part 12/13 is different, and the large screw holes are on the top

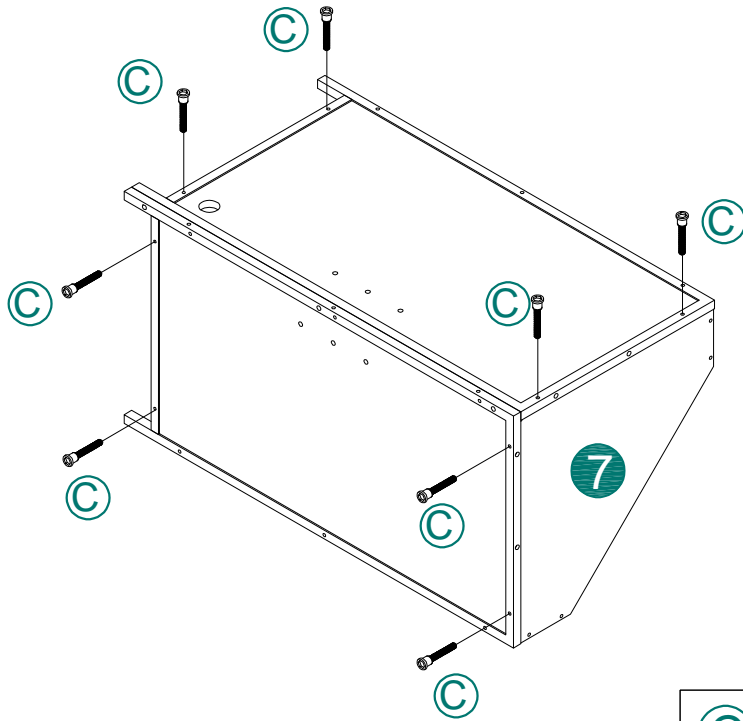
(C)		x6
-----	--	----


4



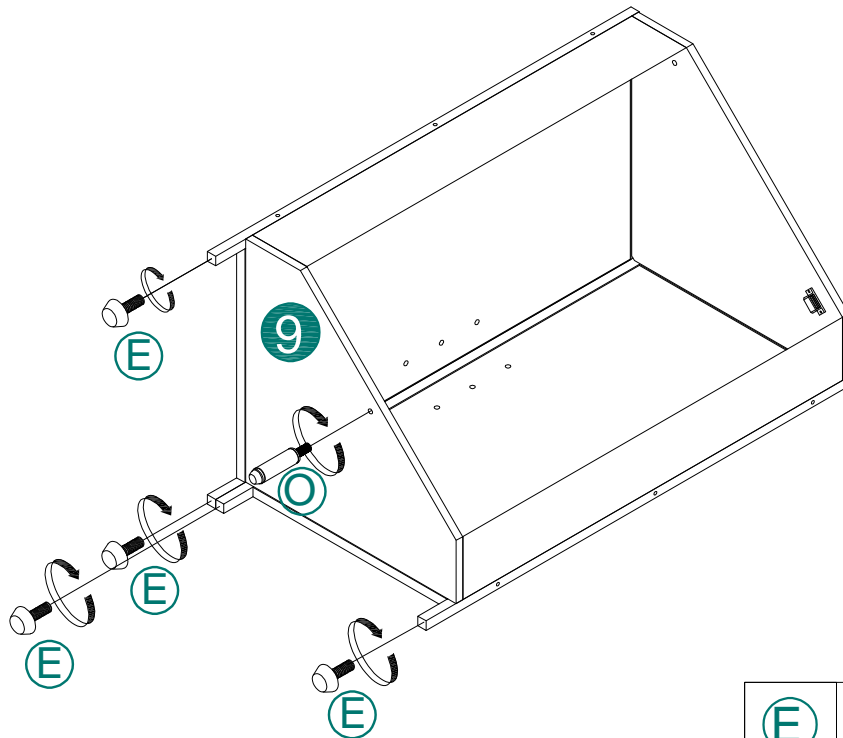
(C)		x4
(D)		x4
(H)		x2
(I)		x1

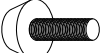
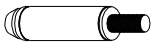
5



C		x8
---	---	----

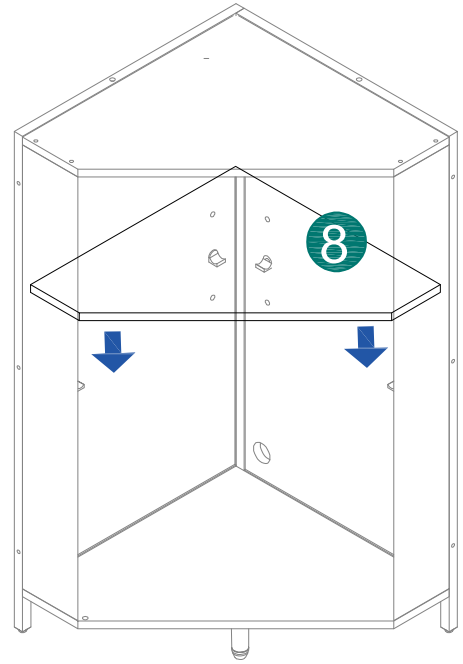
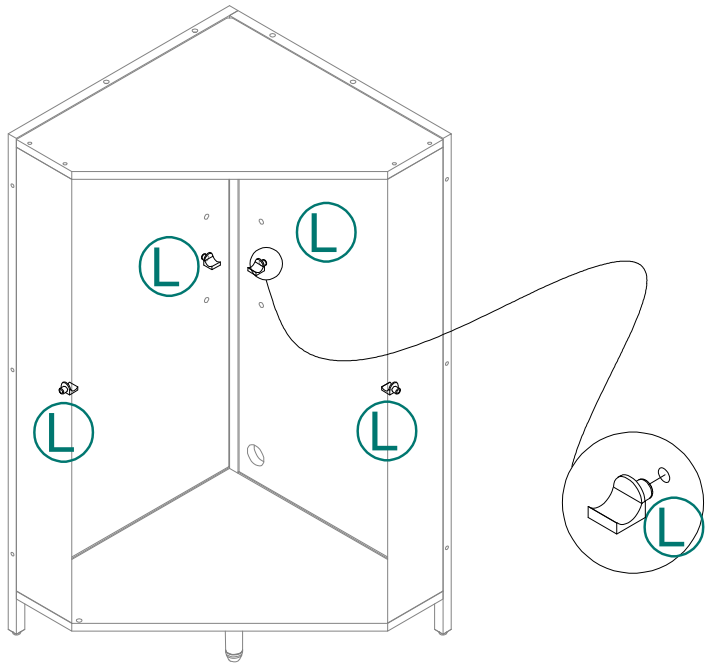
6



E		x4
O		x1

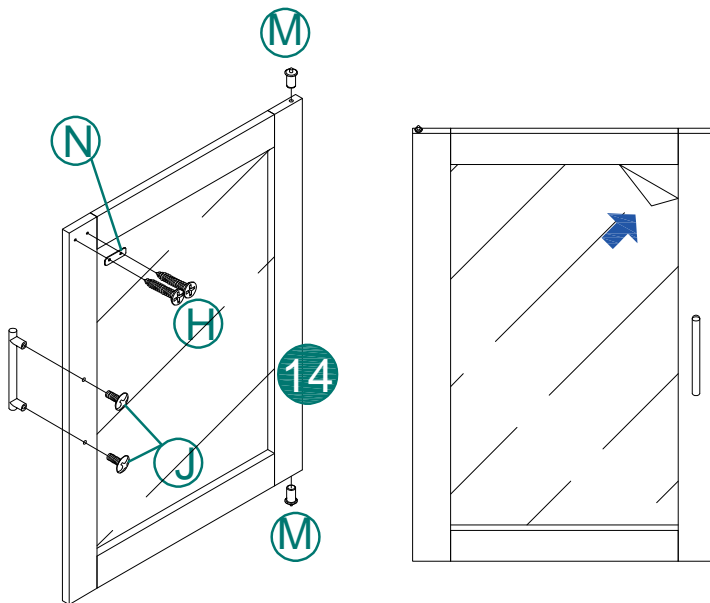
8

7



(L)		x4
-----	--	----

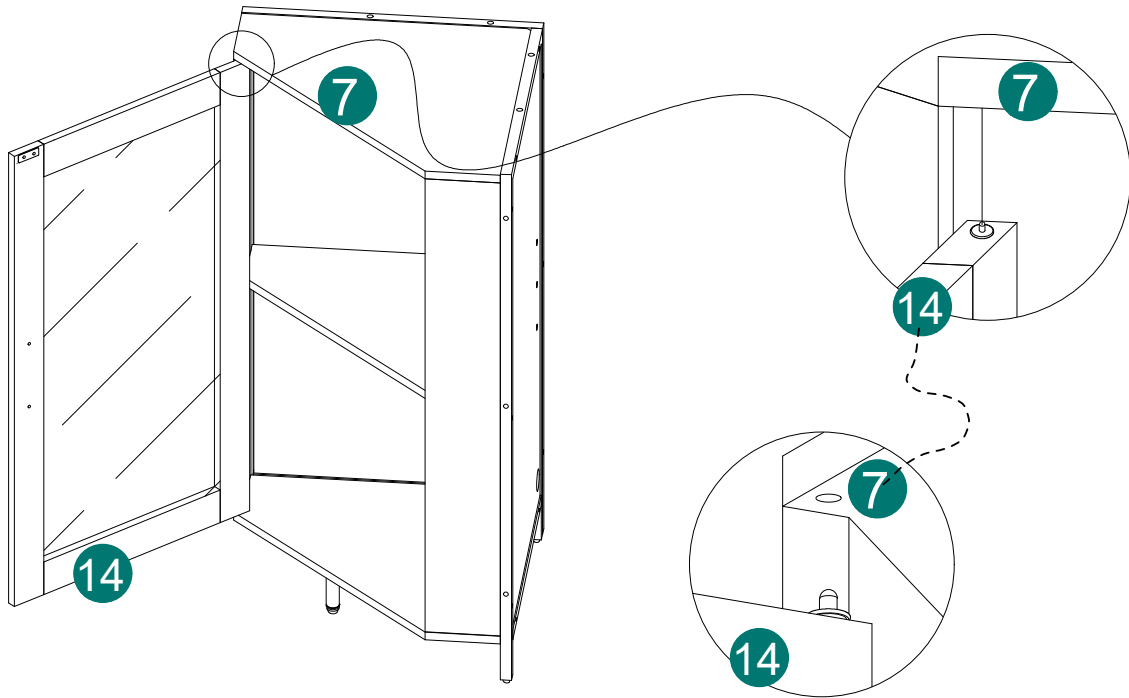
8



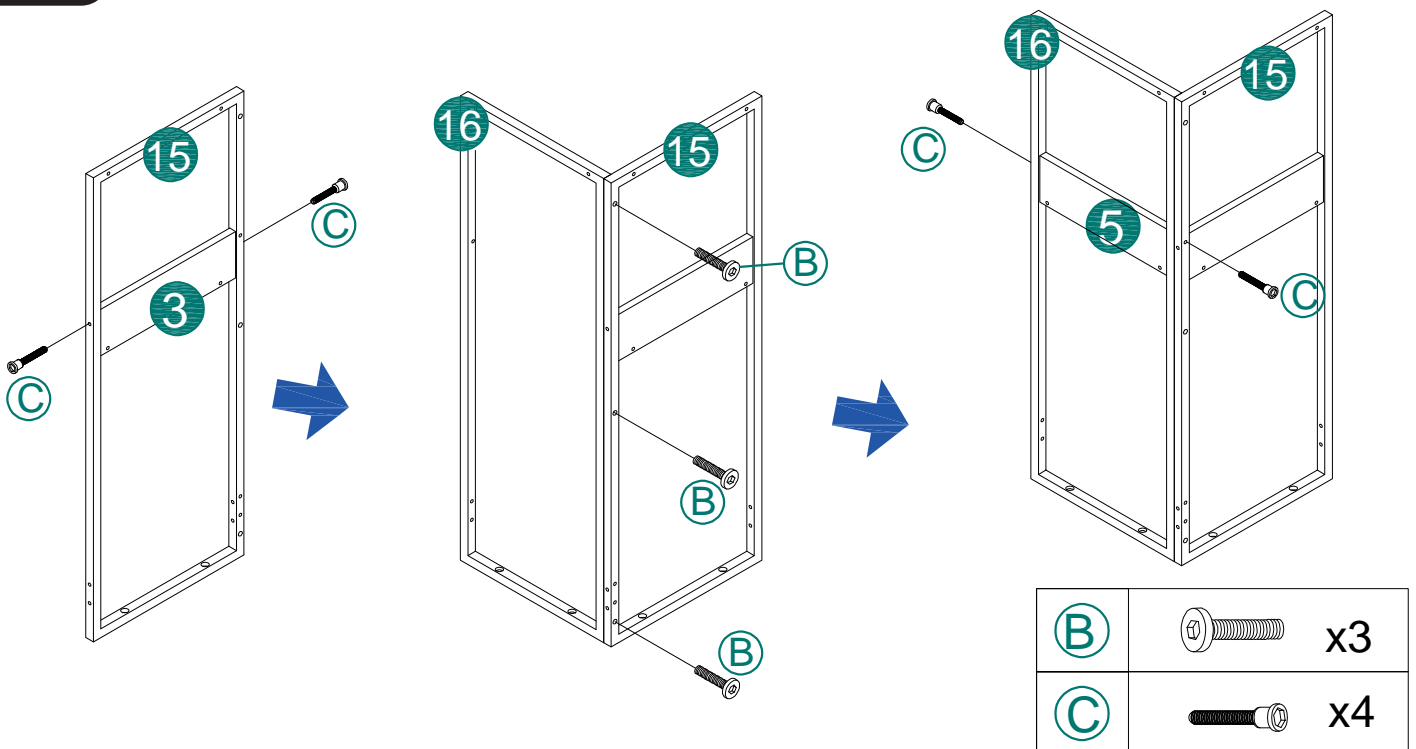
NOTICE:
Remove the protective film at the arrow before installation

(H)		x2
(M)		x2
(J)		x1
(N)		x1

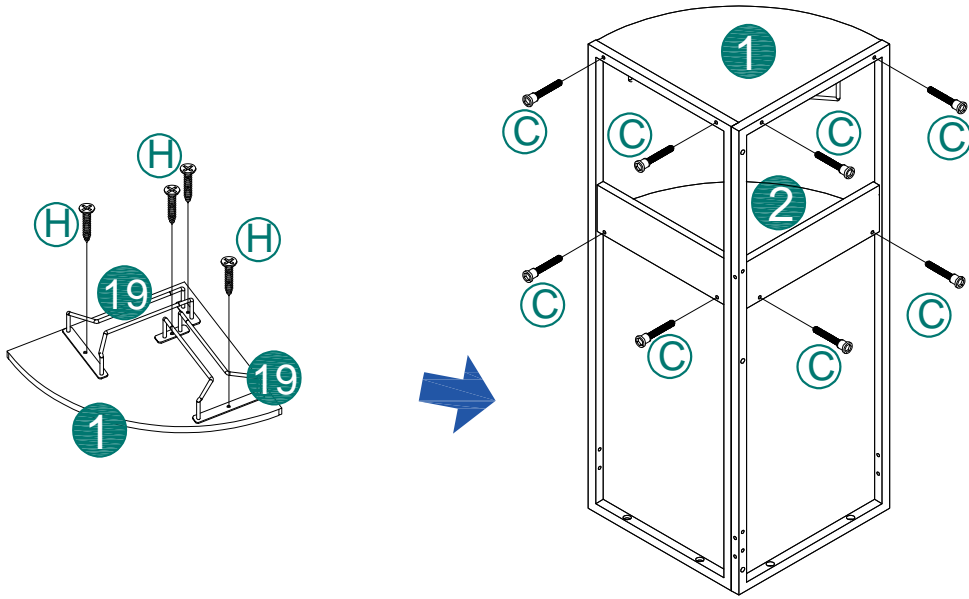
9



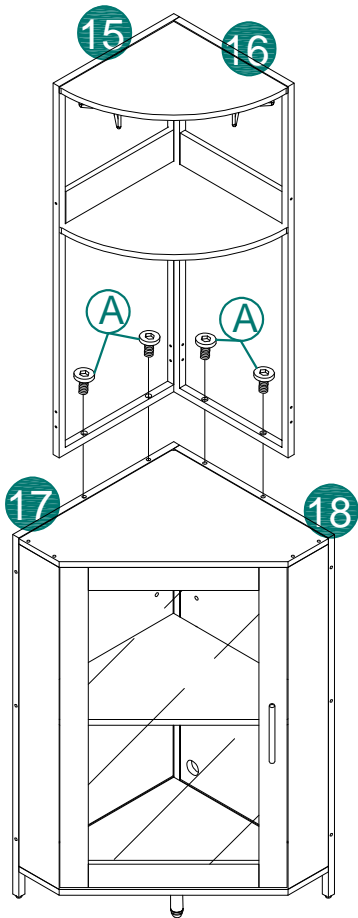
10






11



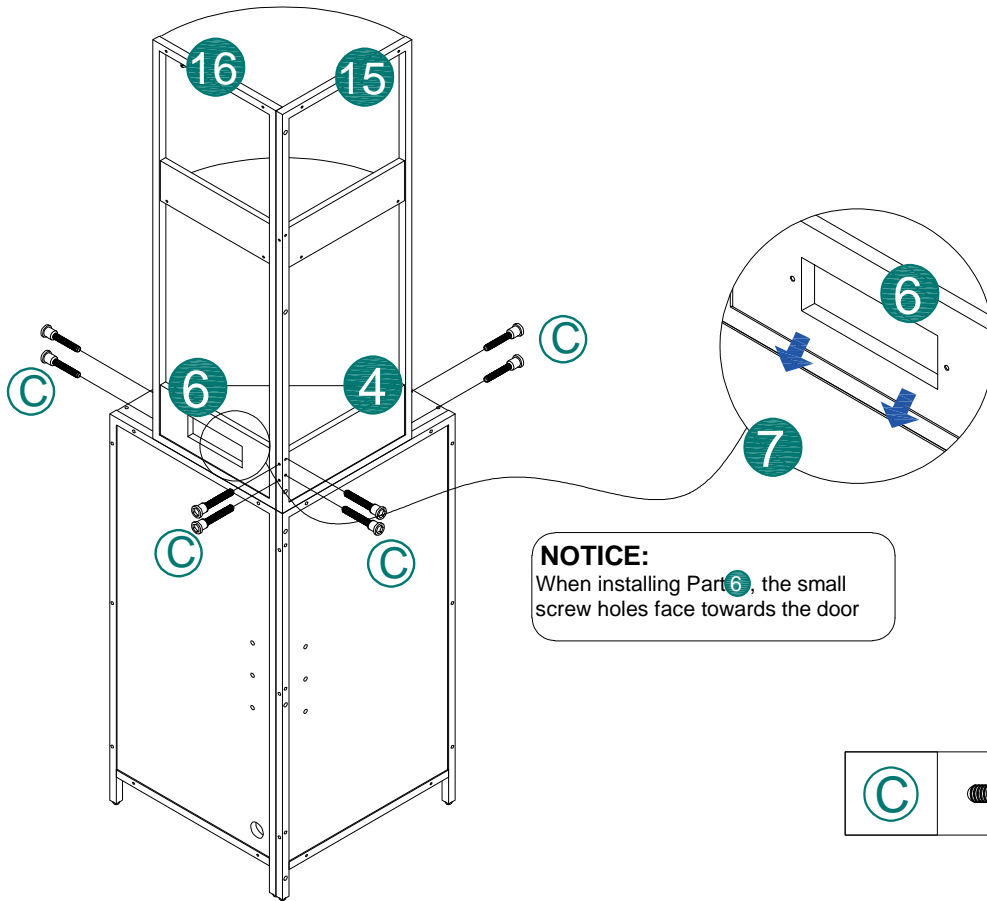
12




(C)		x8
(H)		x4

(A)		x4
-----	---	----

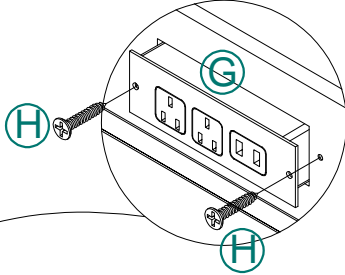
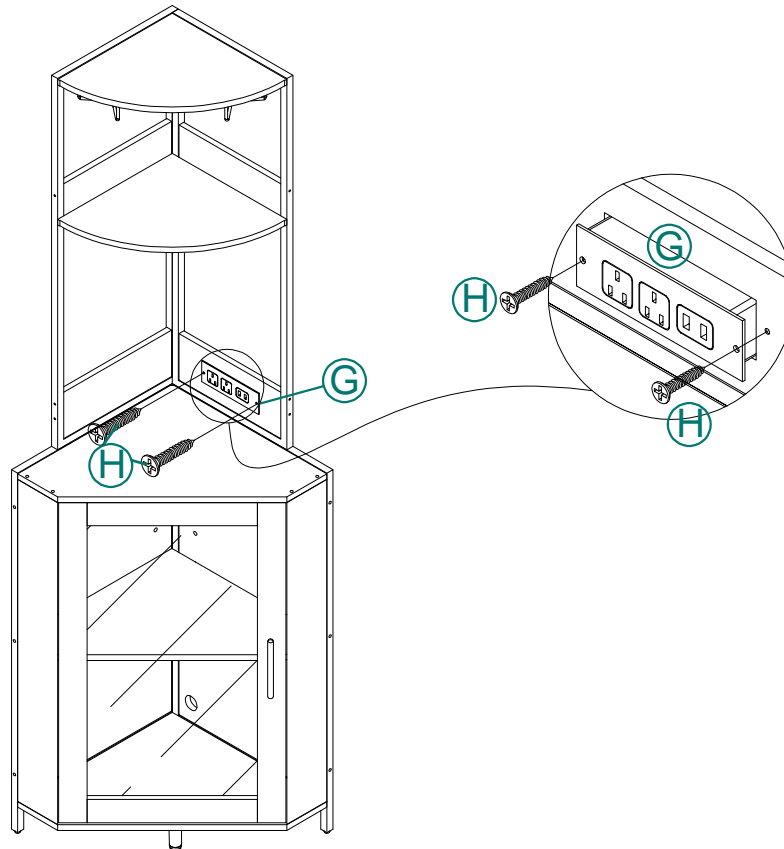
13



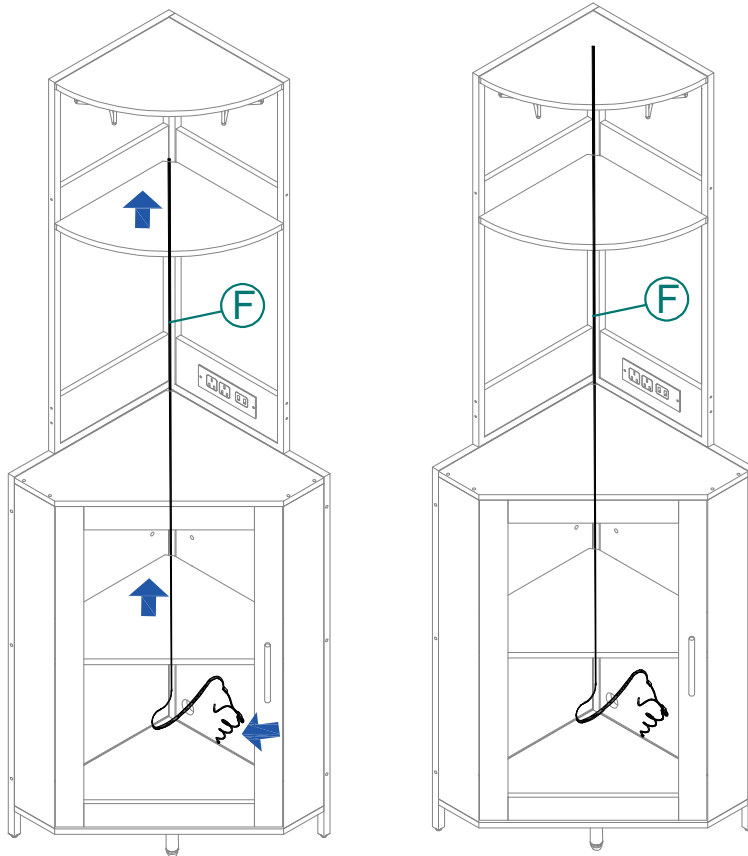
NOTICE:
When installing Part 6, the small screw holes face towards the door

C		x8
----------	--	----

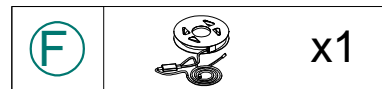
14



15



NOTICE:
 When installing part **F**, as shown in the figure, first disassemble part **F**, insert it through the round hole at the bottom, and install it from the bottom up



16

