

# WALL LANTERN

## Assembly Instructions



### CAUTION

- Inspect the wire insulation for any cuts, abrasions, or exposed copper that may have resulted during shipping. If there is a defect in the wire, do not attempt installation.
- Before starting the installation of this fixture or removal of a previous fixture, disconnect the power by turning off the circuit breaker or by removing the fuse at the fuse box.

## TOOLS REQUIRED



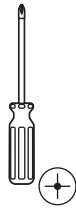
Ladder



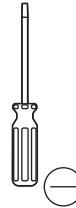
Safety glasses



Electrical tape



Phillips screwdriver



Flat blade screwdriver



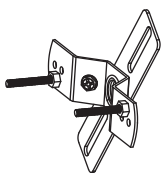
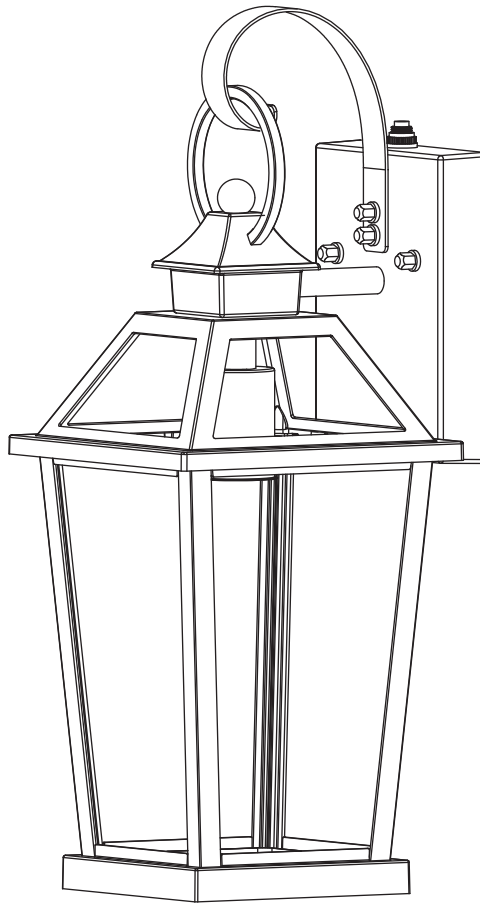
Pliers



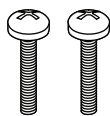
Wire strippers



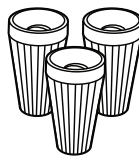
Silicone



Mounting Plate



Mounting Screws



Wire Nuts



Cap Nuts



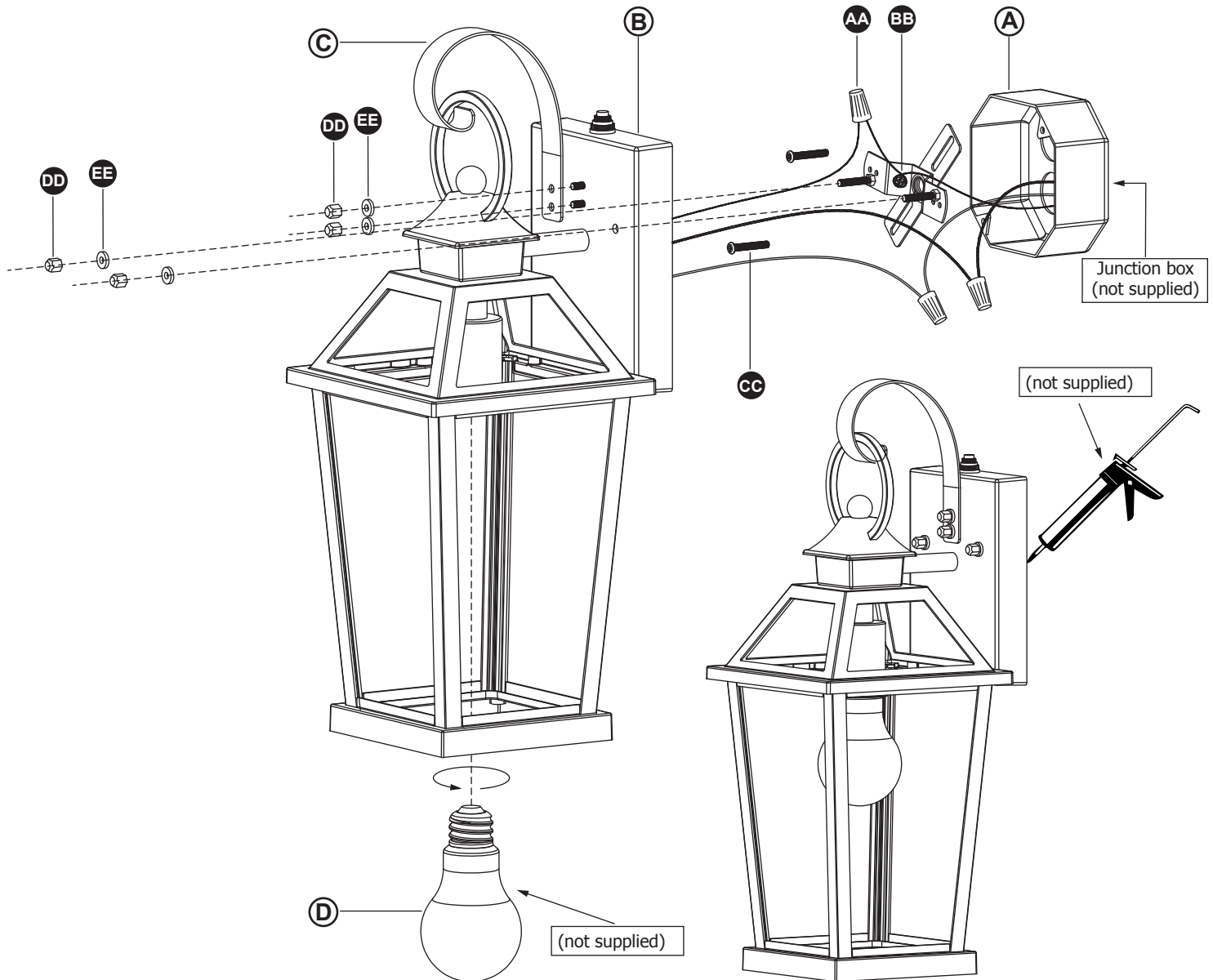
Washers

**\*PARTS SHOWN MAY DIFFER SLIGHTLY PER LIGHT FIXTURE**

# INSTALLATION

## Important to know

1. This fixture requires a 120 VAC, 60 Hz power source.
2. Make sure the power is switched OFF before installation.



### STEP 1:

Uninstall mounting plate (A) by rotating cap nuts (DD) counterclockwise. Install the mounting plate (A) to your junction box with the mounting screws (CC).

### STEP 2:

Attach the metal curved plate (C) to the back plate (B) with cap nut (DD) and rubber washers (EE).

### STEP 3:

If the house ground wire is copper (option A) fix the copper (ground) wire from the junction box to the mounting plate (A) by wrapping it around the green (ground) bolt (BB), then connect it to the fixture copper (ground) wire with a provided wire nut (AA). Alternatively, you can connect both copper (ground) wires together directly with a provided wire nut (AA). If the house ground wire is green (option B) splice the green (ground) wire (1/2in strip) to expose the copper wire within, then loop the exposed wire to the green (ground) bolt (BB) on the mounting plate (A). Then attach it to the copper (ground) wire from the fixture using a provided wire nut (AA). Then, pass all wires through mounting plate (A). Connect the fixture neutral (white) wire to house neutral (white) wire and the fixture black (live) wire to the house black (live) wire. Use provided wire nuts (AA) to make all connections.

### STEP 4:

Install the backplate (B) to the mounting plate (A) by inserting the bolts from the mounting plate (A) through the holes on the backplate (B), then use the rubber washers (EE) and cap nuts (DD) to tighten the back plate (B). Ensure that cap nuts (DD) are securely tightened.

### STEP 5:

Carefully install the bulb (D) (not supplied) into the socket (base bulb is E26, and maximum bulb wattage is 60W).

### STEP 6:

Apply a clear silicone sealant (not supplied) around the outside perimeter of the back plate (B).