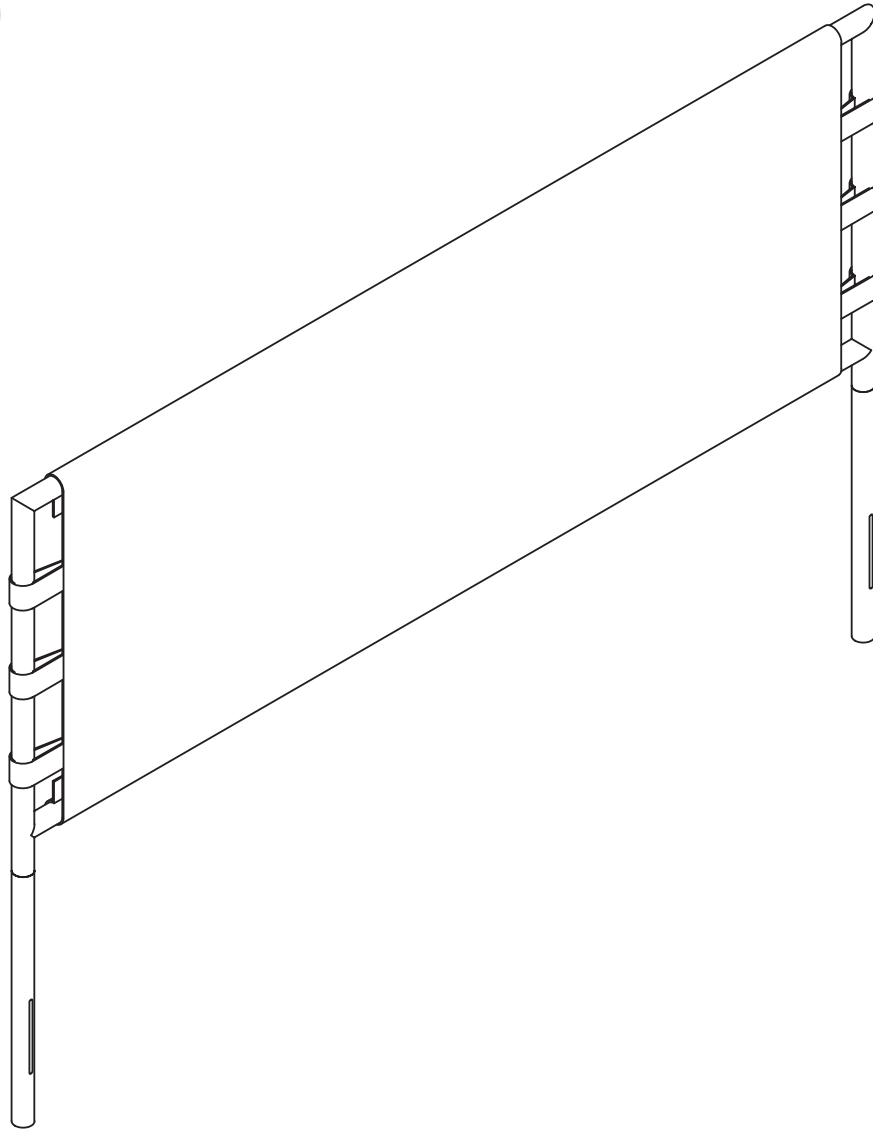


Let's build the

Aspen King Headboard

SKU 92002



Scan me!

Inspiration
Digital Instructions
Free Lifetime Warranty

nathan james

22-1107

Ok, let's get rolling

This should be easy, just follow our instructions and you will be back to Netflix in no time.

Estimated time for assembly



35:00

What you need

- Some of your favourite bubbly or your preferred relaxant
- Use the packaging carton as a working surface to prevent product damage during assembly

Do not use a drill



Toll-free at 1-866-619-1004
Help@nathanjames.com
Nathanjames.com/help

What's included

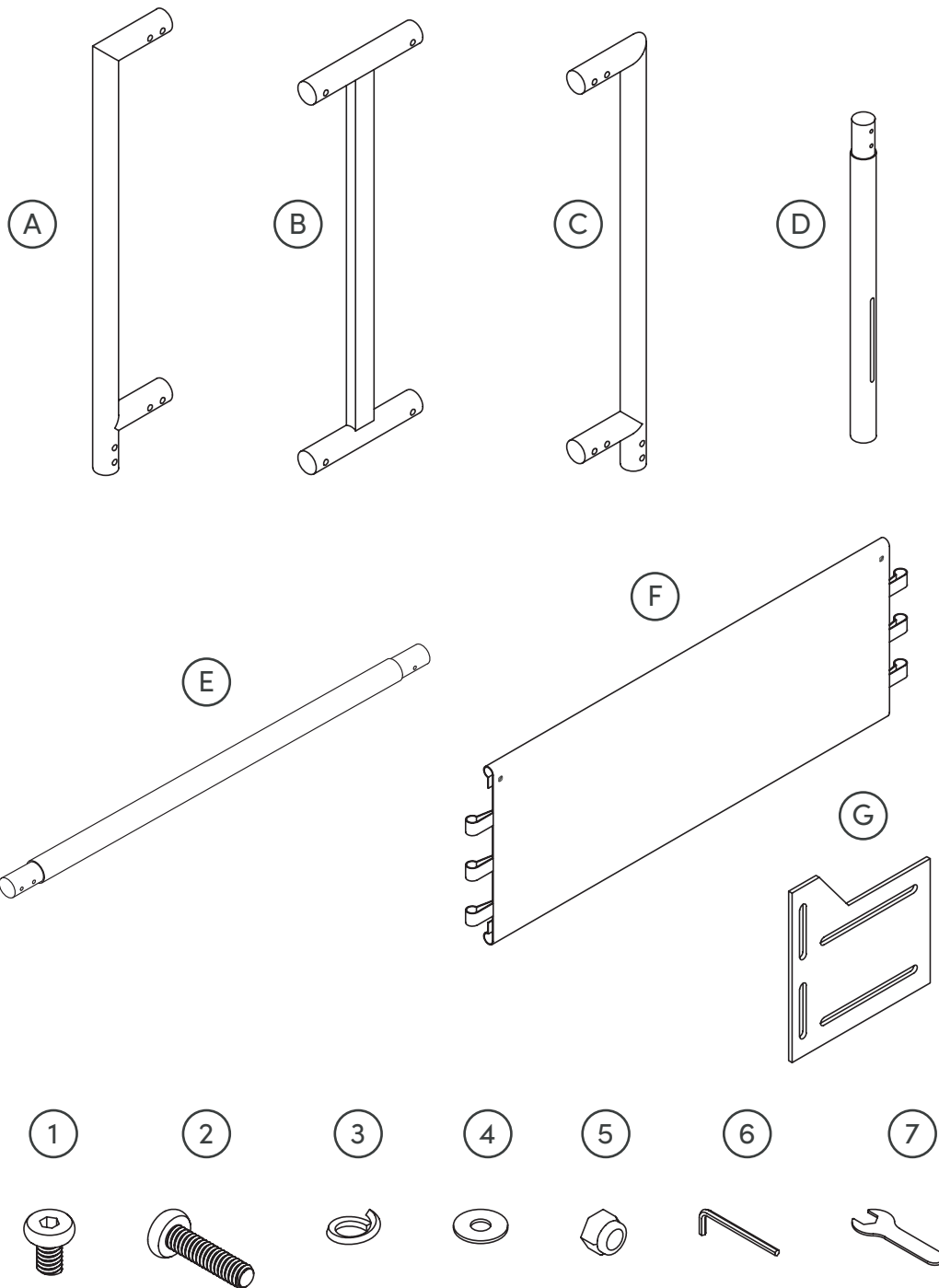
Description	Qty
A Right Upper Side Support	1
B Center Support	1
C Left Upper Side Support	1
D Leg	2
E Stretcher	4
F Cushion	1
G Bed Frame Adapter Bracket	2
1 M6*20mm Bolt	20
2 M6*55mm Bolt	4
3 10.5mm Spring Washer	20
4 16mm Flat Washer	20
5 M6*7mm Nut	8
6 Allen Key	1
7 Wrench	1

Scan me!

Inspiration
Digital Instructions
Free Lifetime Warranty



The goods



IMPORTANT

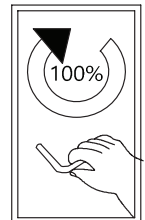
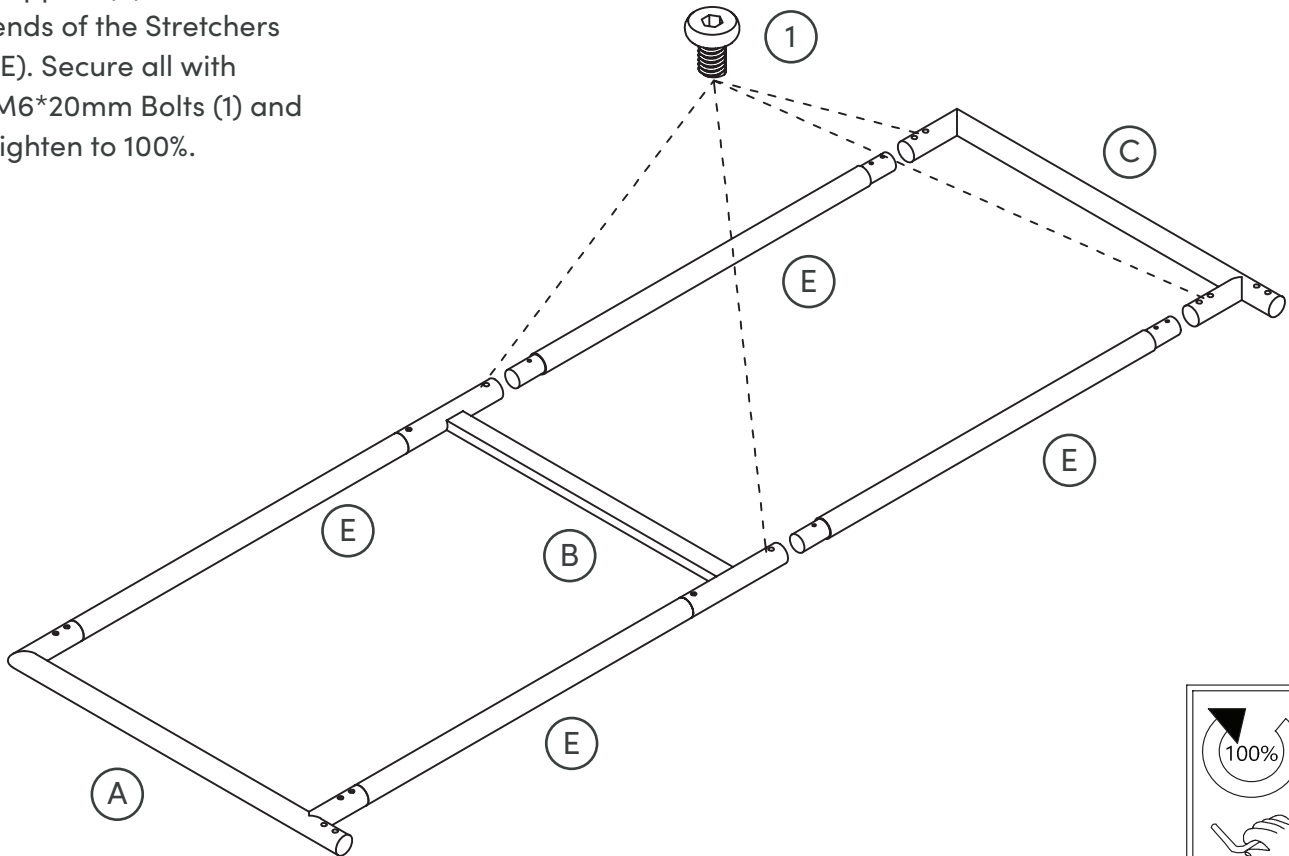
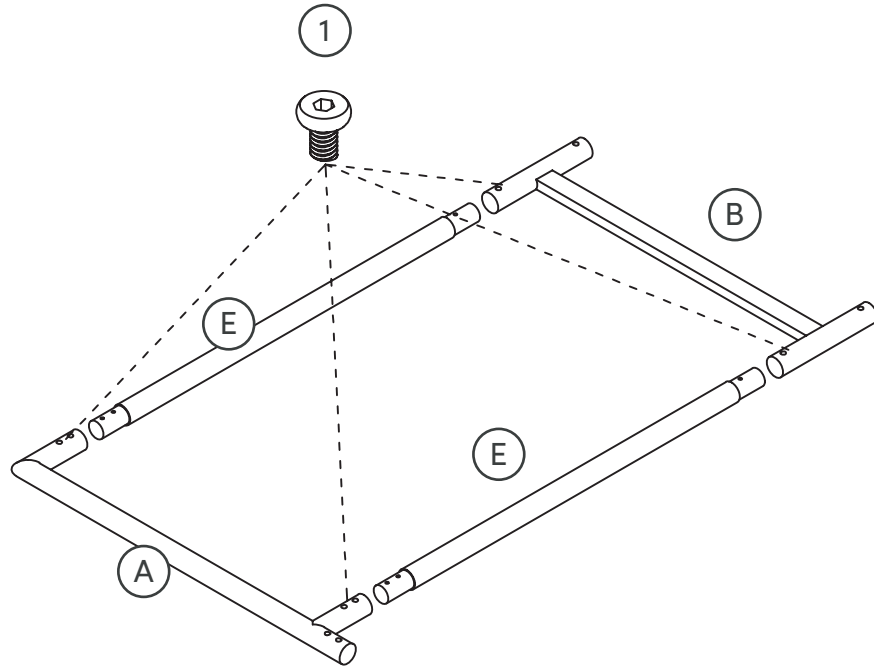
1. Do not tighten bolts / screws completely until all bolts / screws are lined up and inserted into holes.
2. Do not over tighten screws and bolts to avoid stripping.
3. Please use hand tools to assemble this product. Do not use power tools.



Step 1

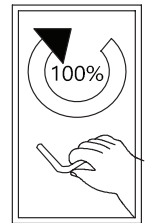
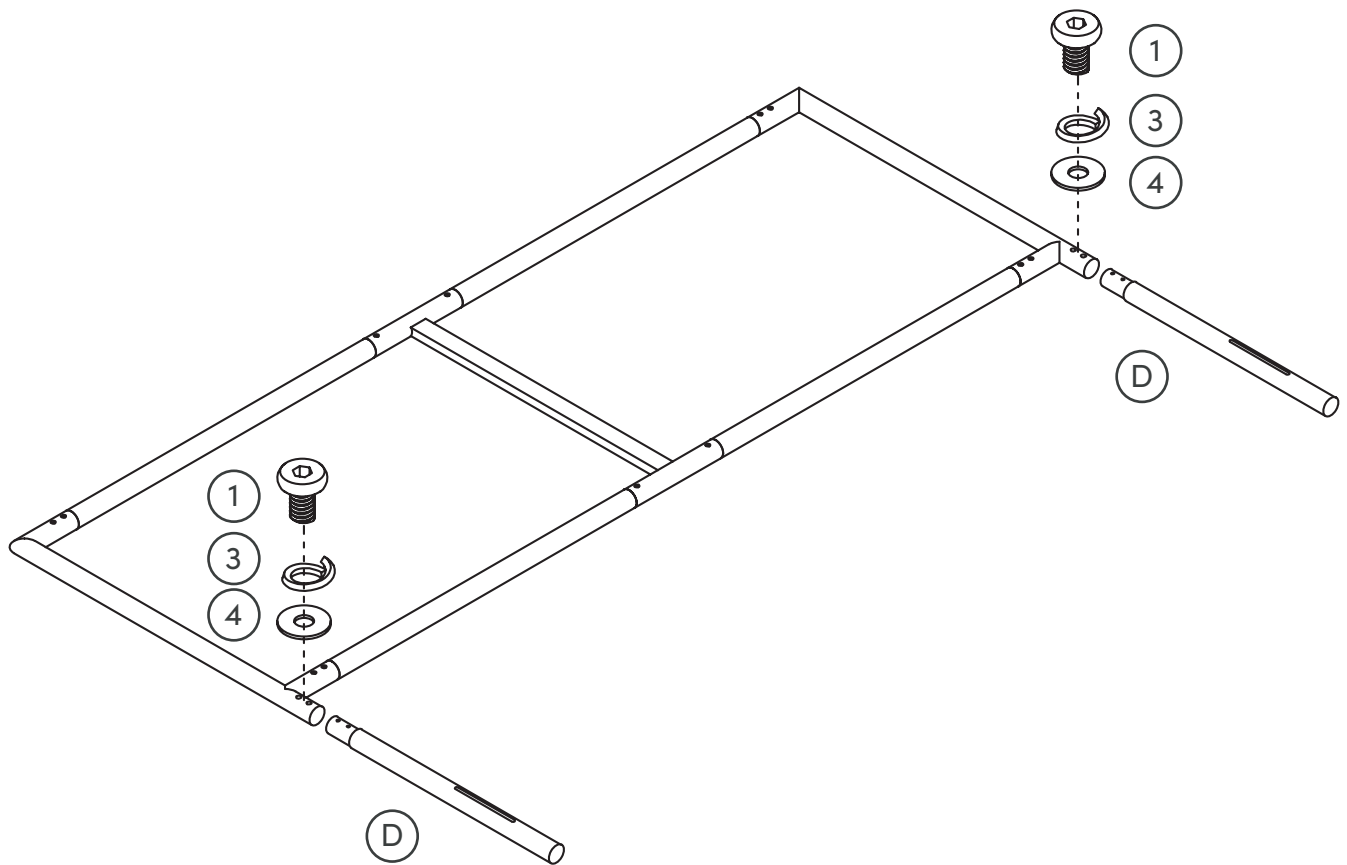
Let's get this thing fired up! First, slide the Right Upper Side Support (A) into the Stretchers (E). Next, slide the Center Support (B) onto the other end of the Stretchers (E). Secure all with M6*20mm Bolts (1) and tighten to 100%.

Now slide the remaining two Stretchers (E) onto the end of the Center Support (B). Then slide the Left Upper Side Support (C) onto the ends of the Stretchers (E). Secure all with M6*20mm Bolts (1) and tighten to 100%.



Step 2

Now it's time to attach the legs!
Slide the Legs (D) onto the frame
you assembled in Step 1 and secure
using the M6*20mm Bolts (1). Before
placing the bolts, first place a 16mm
Flat Washer (4), followed by a 10.5mm
Spring Washer (3), and then the bolt.
Tighten to 100%.



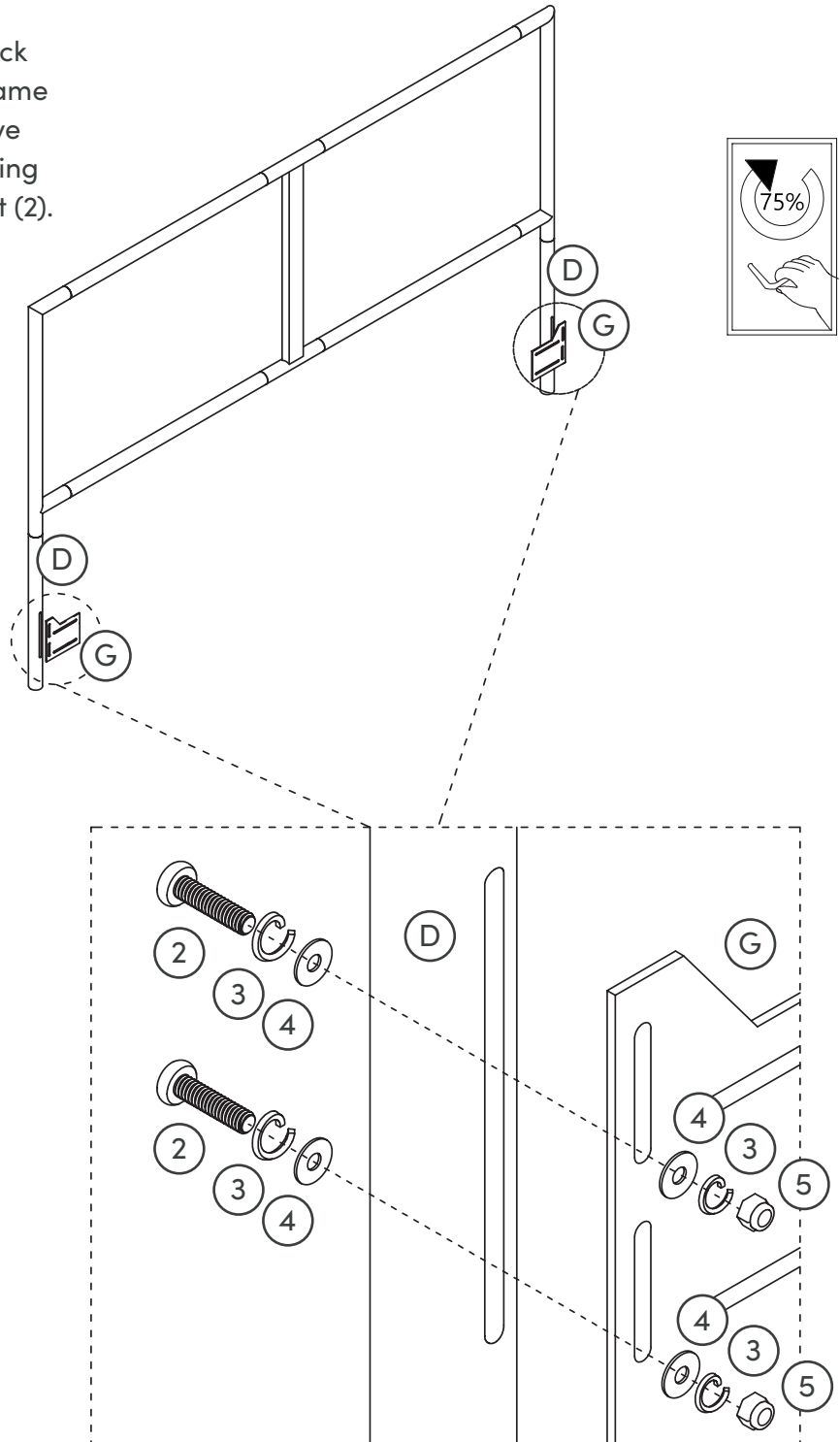
Step 3

You're halfway done! See, we told you this would be easy.

Now it's time to attach the Bed Frame Adapter Brackets (G) to the Legs (D).

To secure these together, run the M6*55mm Bolts (2) through the back of the Legs (D) and into the Bed Frame Adapter Brackets (G). Be sure you've placed the Flat Washer (4) and Spring Washer (3) before inserting the Bolt (2). Tighten all to 75%.

Then secure on the other side using the M6*7mm Nuts (5). Again, make sure you place the Flat Washer and Spring Washer before securing the Nuts. Tighten all to 75%.



Tip: The slotted cutouts on the headboard legs & bed frame adapter brackets allow for adjustability to be compatible a variety of different bed frames.



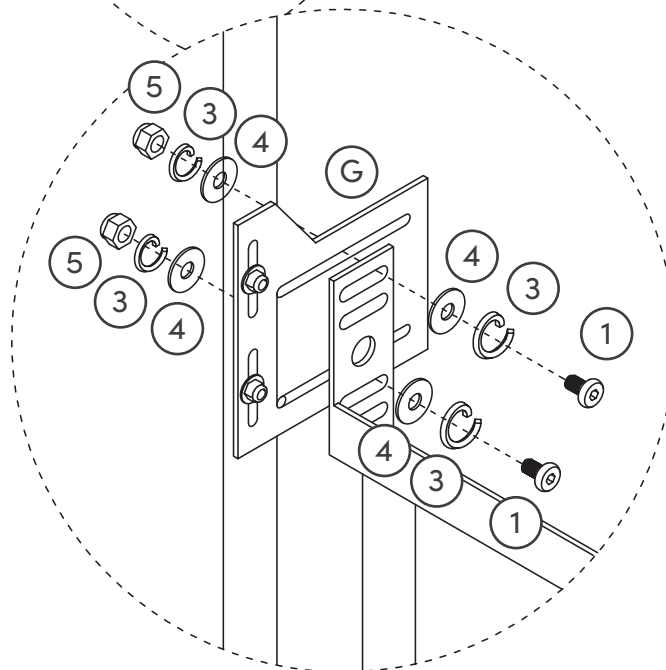
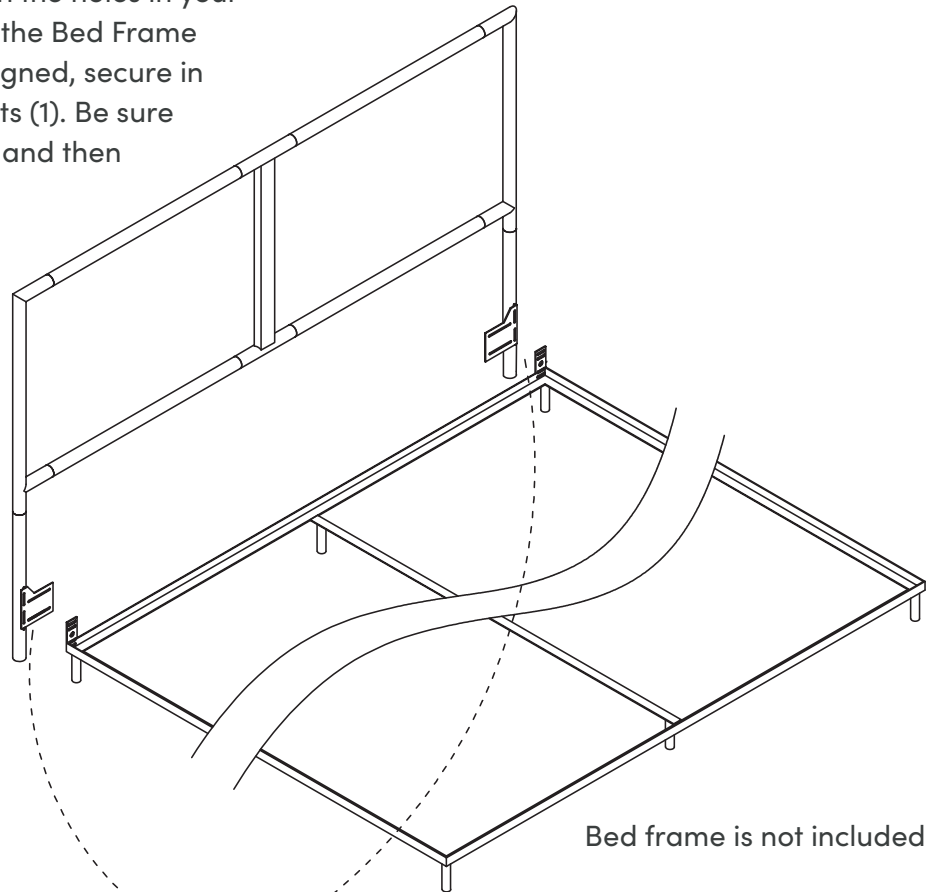
Step 4

Now it's time to attach the headboard to your bed frame (not included).

To secure the headboard, align the holes in your bed frame with the notches in the Bed Frame Adapter Brackets (G). Once aligned, secure in place using the M6*20mm Bolts (1). Be sure to first place a Flat Washer (4) and then a Spring Washer (3) before inserting the Bolts.

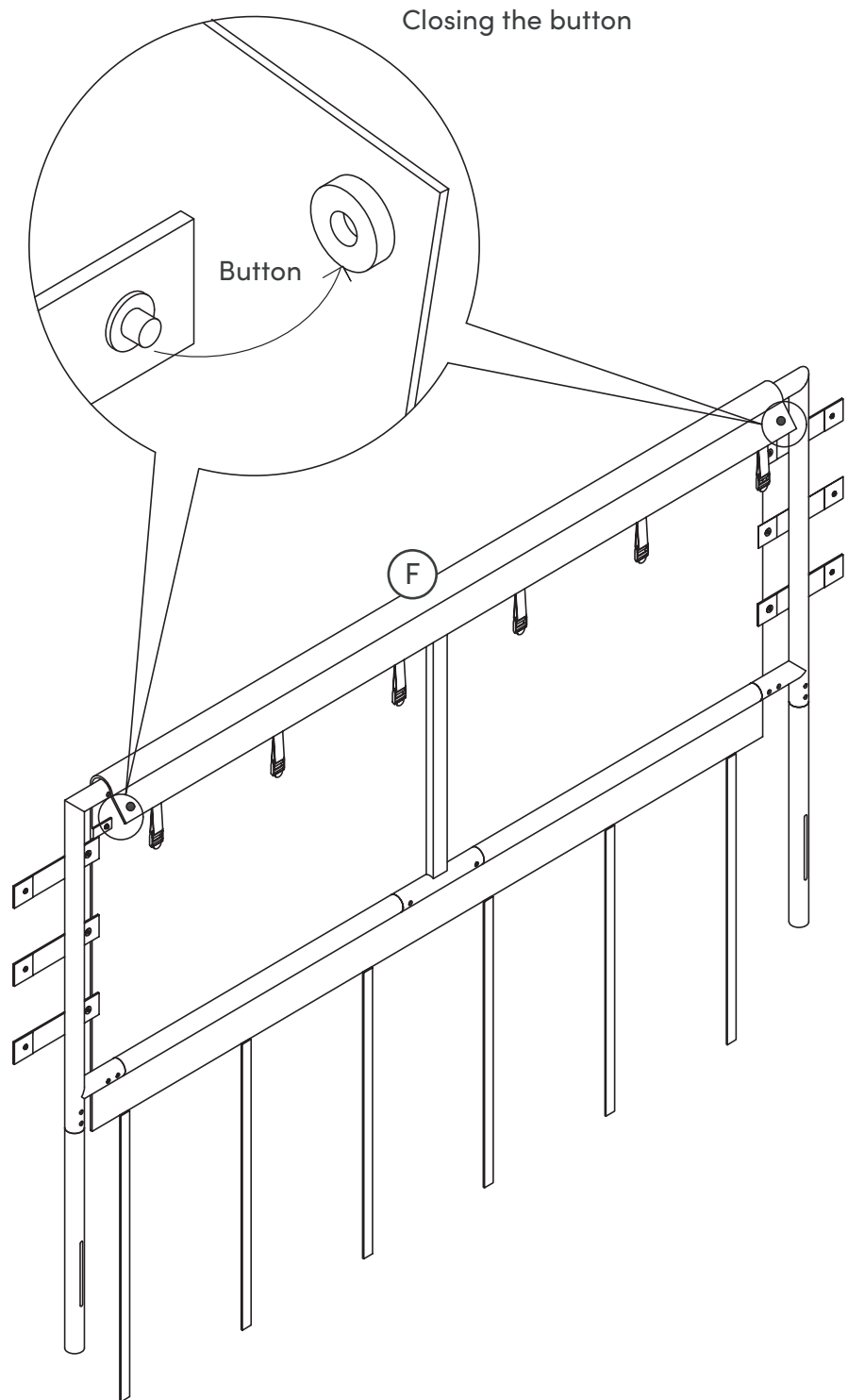
Secure on the other side using the M6*7mm Nuts (5). Again, be sure to first place a Flat Washer (4) and then a Spring Washer (3) before inserting the Nuts (5).

Tighten all to 100%.



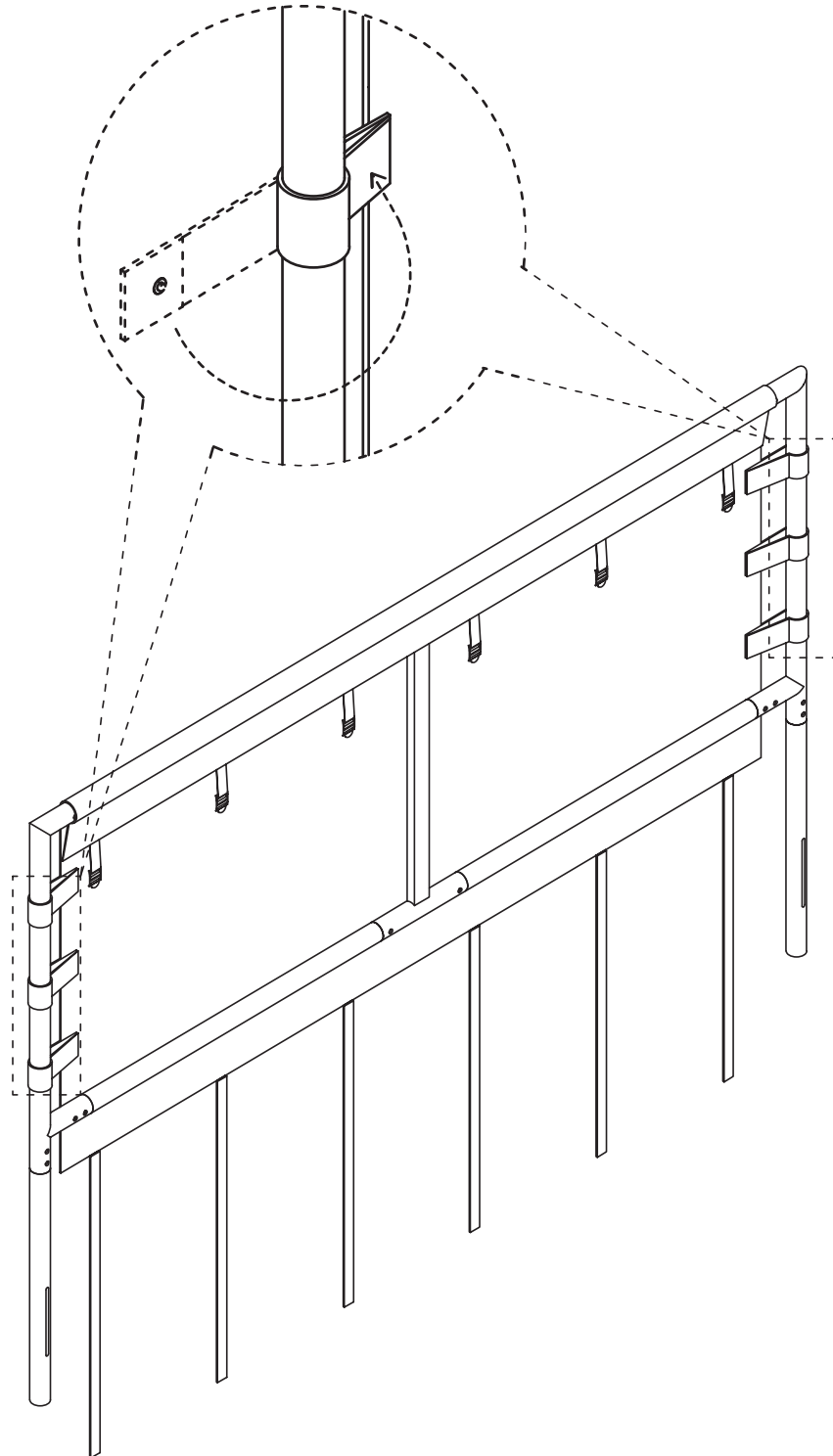
Step 5

You're almost done! Now it's time to secure the Cushion (F) to the frame by wrapping the sides of the Cushion around the frame and snapping the buttons to secure in place.



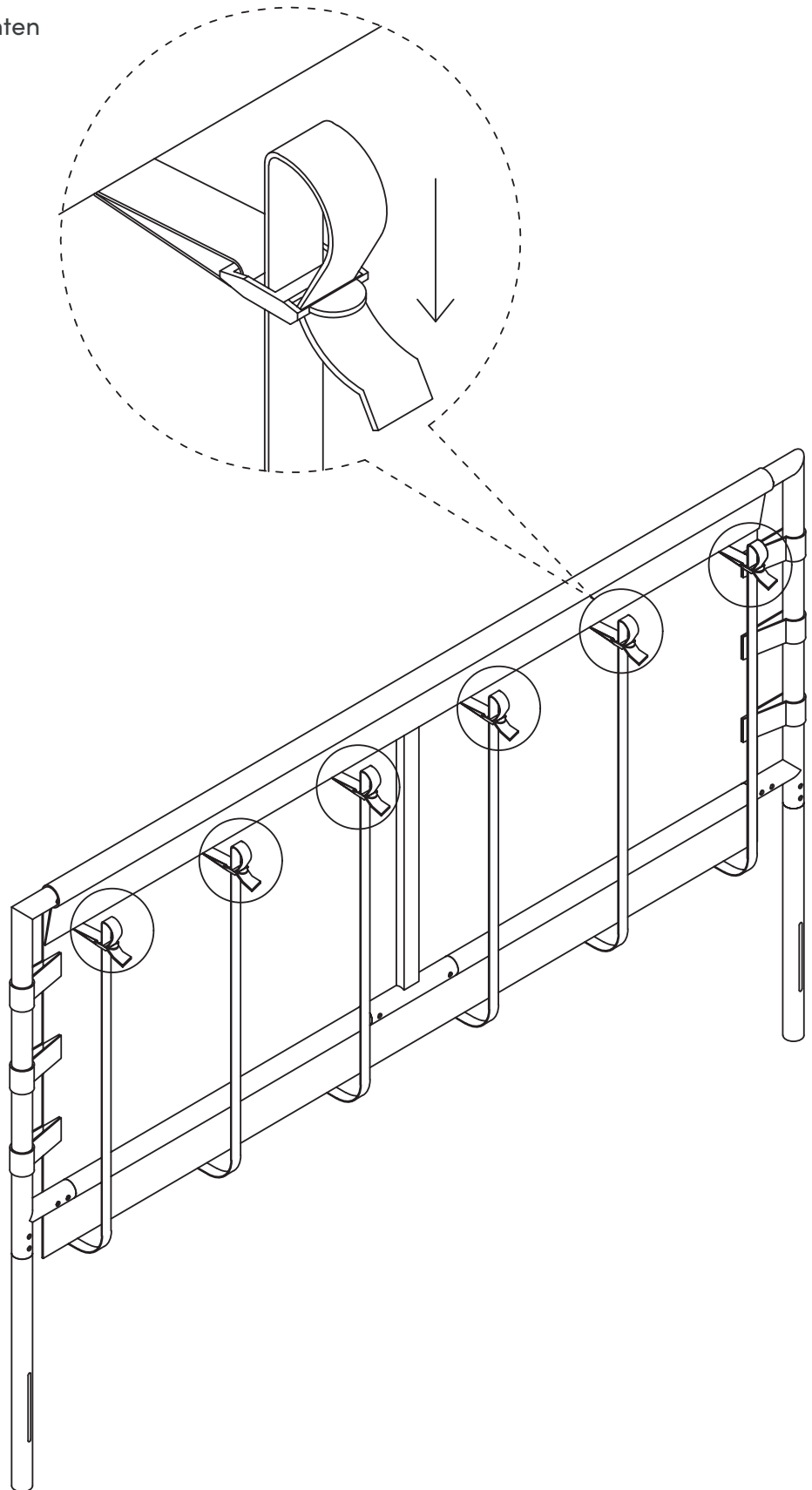
Step 6

Next snap the buttons along the sides of the Cushion to the frame to secure in place.



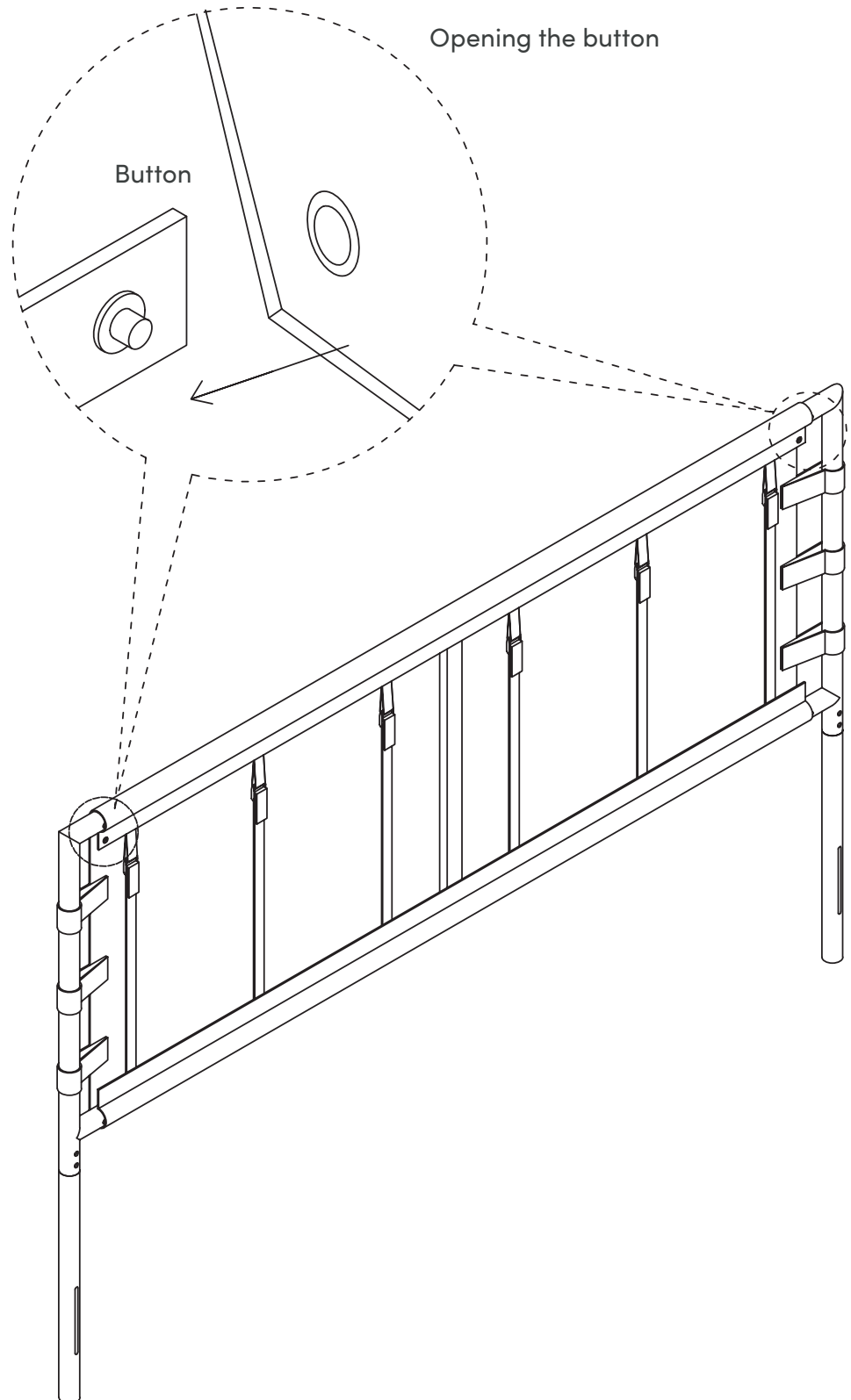
Step 7

Use the provided straps to tighten the cushion until secure.



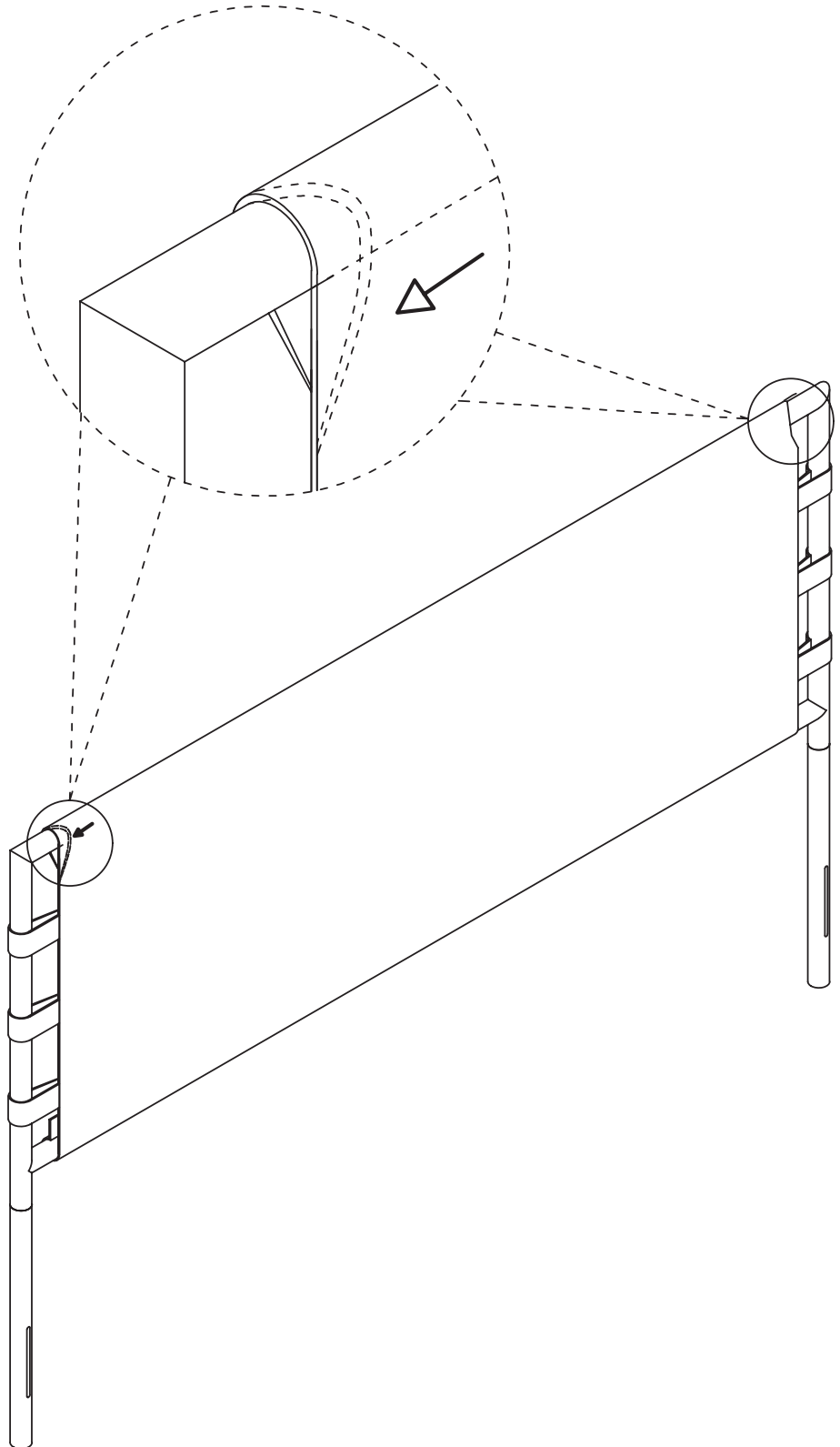
Step 8

Now that the cushion is in place and the straps are fastened, unfasten the two buttons in the top of the cushion in order to loosen any tension in the cushion fabric.



Step 9

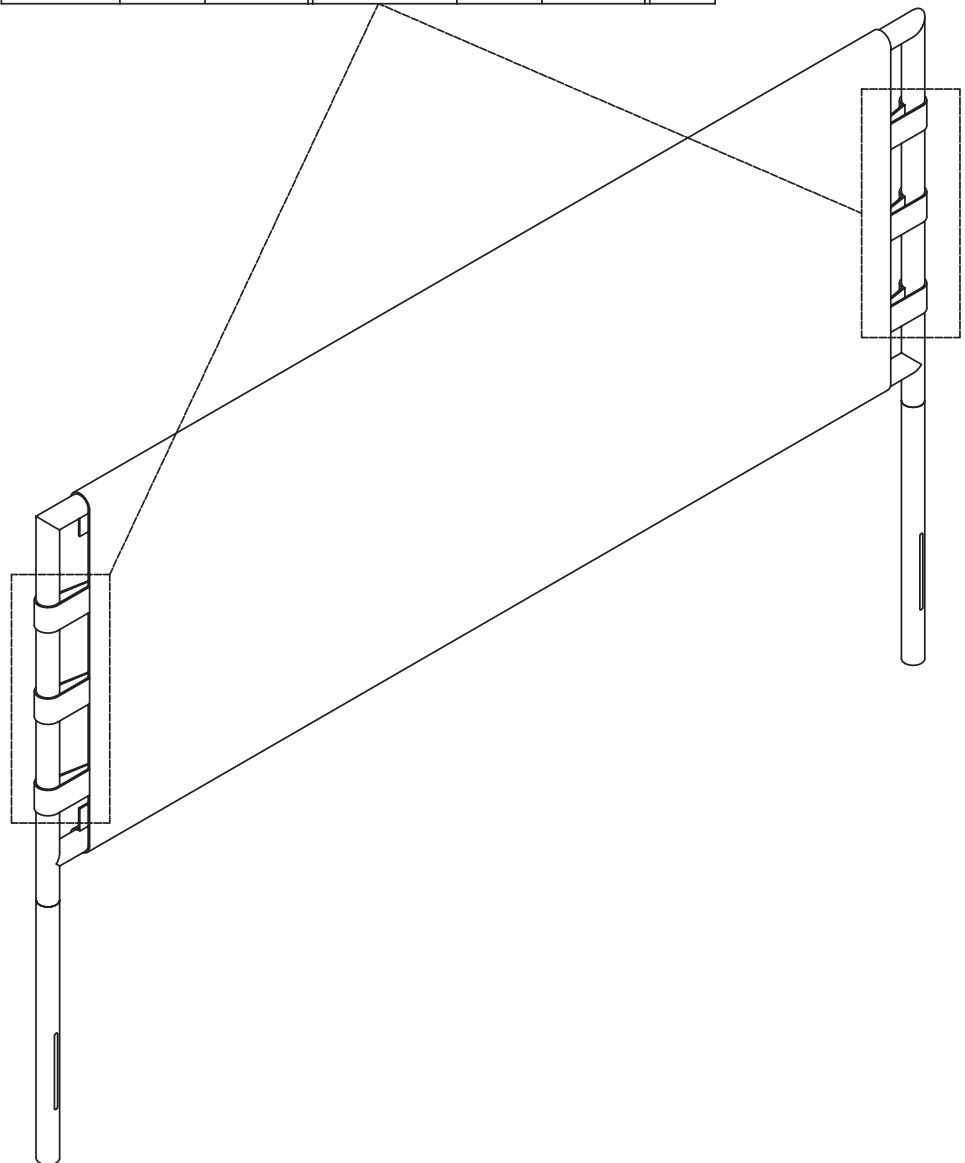
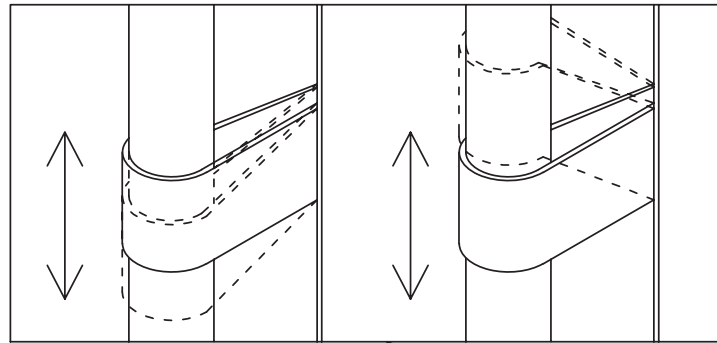
Now you can straighten any wrinkles on the top edge of the cushion along the frame.



Step 10

And finally, adjust the side straps so they sit level horizontally for that picture-perfect finish.

And just like that, you have a new headboard! Time for celebratory nap. You deserve it.



No heartburn, when we handle the return

Give us a call **1-866-619-1004** or shoot us a message at **help@nathanjames.com** we will issue you a free replacement with **zero hassle**.

Our way



Give us a call



Replacement



You

Their way



Re-package item



Schedule pick up



Track package



Replacement



You

We really don't want you to go through the hassle of re-packaging your item and sending it back, because let's be honest...nobody has time for that.



Safety first, fun later

We want your Aspen Headboard to last as long as possible, so we recommend that you tighten the screws 2 weeks after assembly and for added safety check the tightness of all screws every 2 months.

For proper care and treatment please check our website at NathanJames.com/products

Safe use of this product starts with you.

Use this headboard responsibly with the primary concern for your safety. Follow assembly instructions carefully and inspect product upon receipt and each use.

Nathan James and its parent companies cannot be held legally responsible for any injuries or death resulted from failure to follow instructions or improper use of this product.

Do not modify the structure of this product in any way.

Our products have been tested to meet specific safety measures as they were originally intended to be sold. Any modifications will present the risk of creating significant safety issues which NJ will not be responsible for.

Proper use

- DO NOT** use for commercial purposes
- DO NOT** put on uneven surface
- DO NOT** put hot serving liquid directly on headboard
- DO NOT** use headboard if broken or damaged
- DO NOT** make temporary repairs
- DO NOT** use outdoors



We are only in business if you're happy

For starters, thanks for being you.

☎ Toll-free at 1-866-619-1004

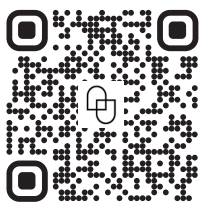
✉ Help@nathanjames.com

🌐 NathanJames.com/help

We do our best to ensure your furniture arrives without any problems, but occasionally mistakes happen—as humans we are imperfect beings. In the event that a part is damaged or missing, we will be more than happy to provide you with replacement part(s) for free.

Warranty

This product comes with a lifetime warranty from the date of purchase. Please use your phone to scan the QR code to register your product or visit <https://goo.gl/i9dk3q>



Did we do alright? Please spread the love!

If you are happy with your product, tell your friends and family about us or even better leave us a review online. Spreading the word gives us the opportunity to make more people happy and keep our prices low for your next purchase.

Brooklyn Burden

Founder, Nathan James

