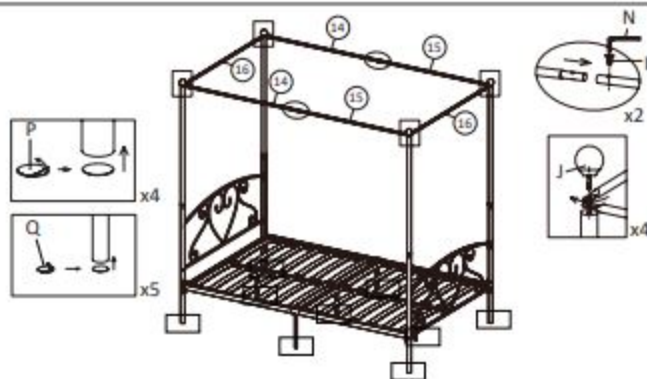


4



Kx28	
Lx14	
Mx28	

5



lx2		M6x $\frac{10}{0.4}$
Jx4		
Px4		
Qx5		

6

