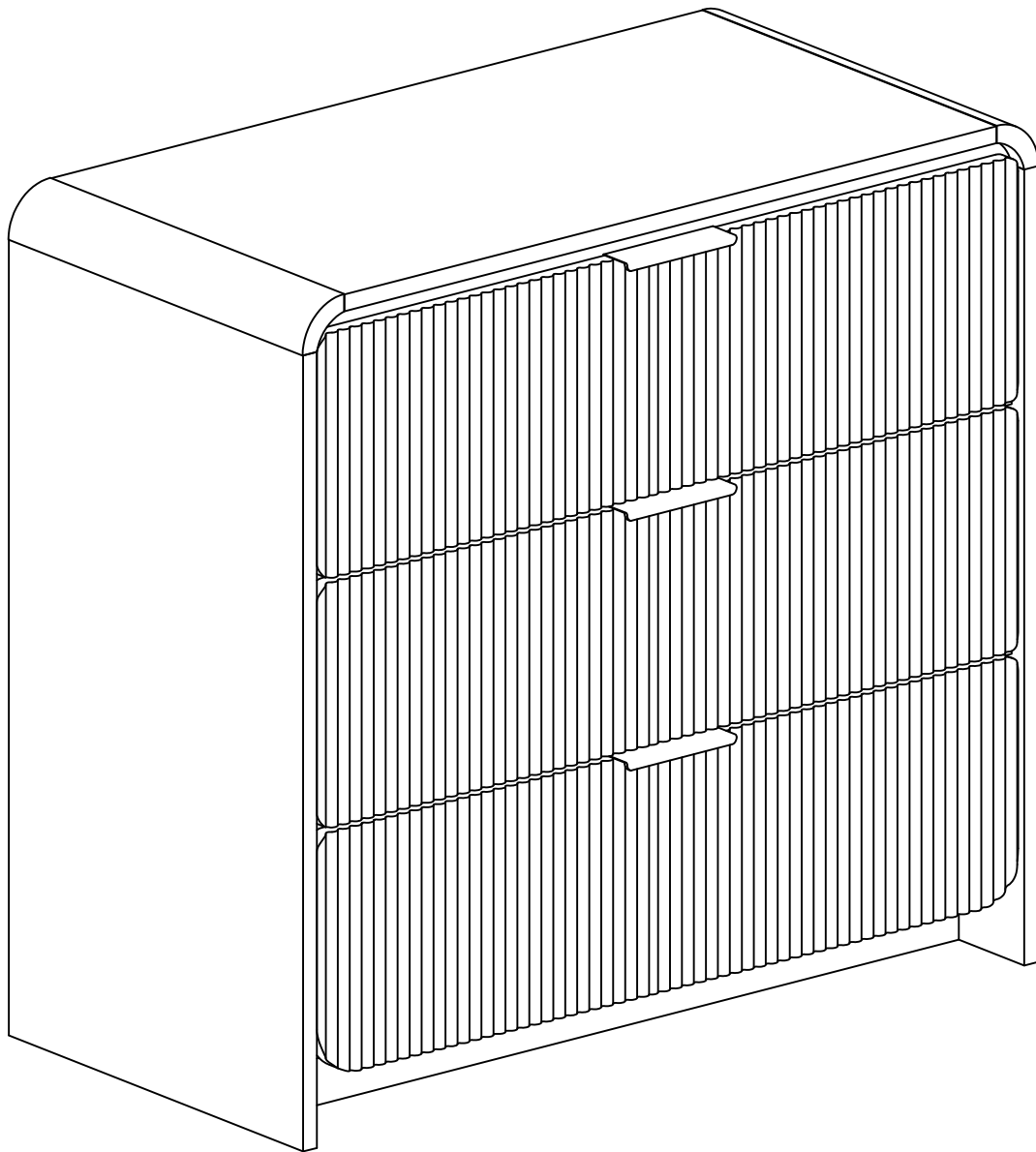


Assembly Instructions

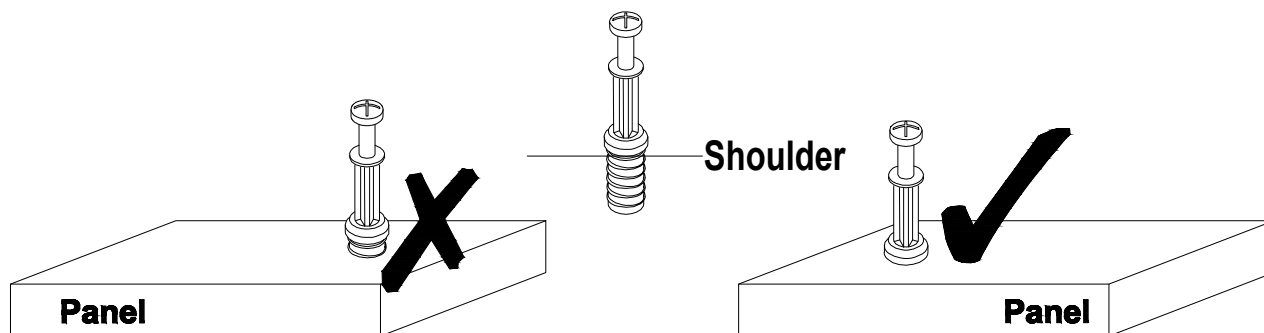


Before Assembly

Tips Before Your Start:

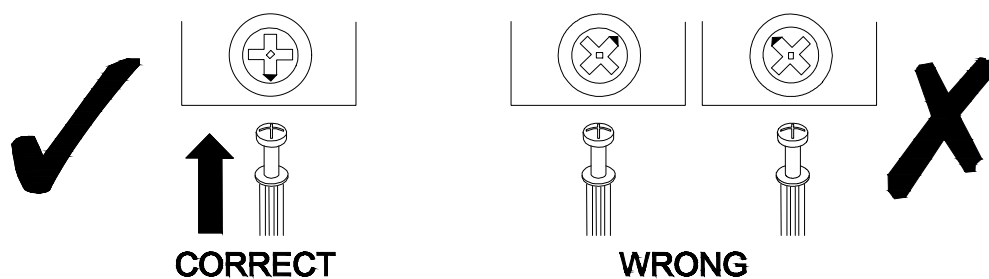
- Remove all wrapping material, including staples & packing straps before you start to assemble.
- DO NOT tighten all screws and bolts until the assembly is completely assembled.
- Keep all hardware parts out of reach of children.

QUICKFIT



Tighten quickfit until shoulder is flush with panel. Do not overtighten or undertighten.

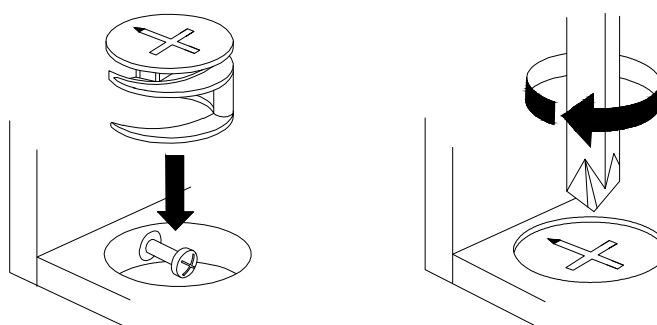
CAM LOCK



When fitting a cam lock, ensure the starting position is correct before inserting the connecting QUI CKFIT

Quickfit head should be in the centre of the cam lock when the two panels are joined.

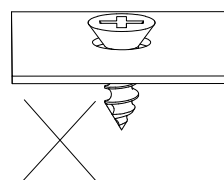
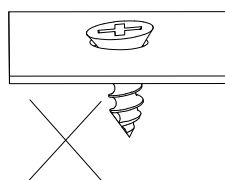
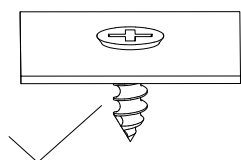
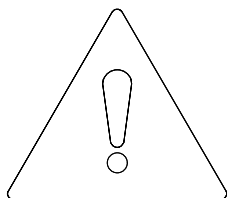
Cam lock should be inserted before quickfit.



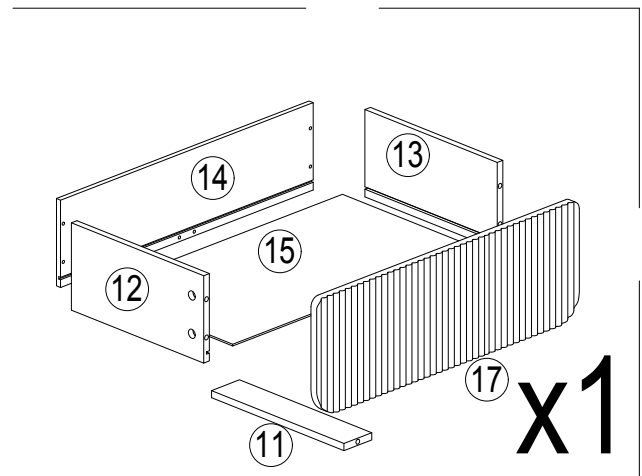
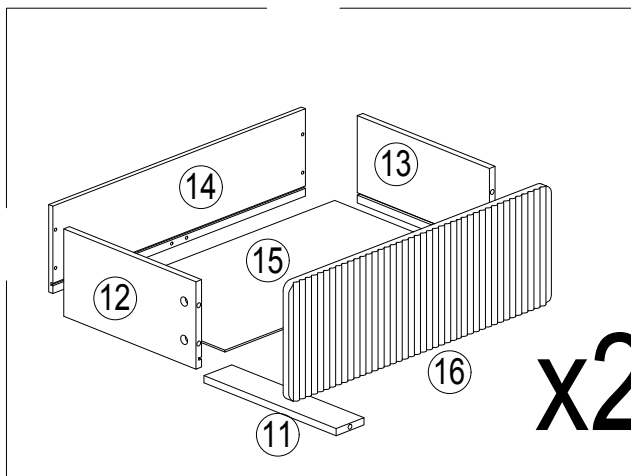
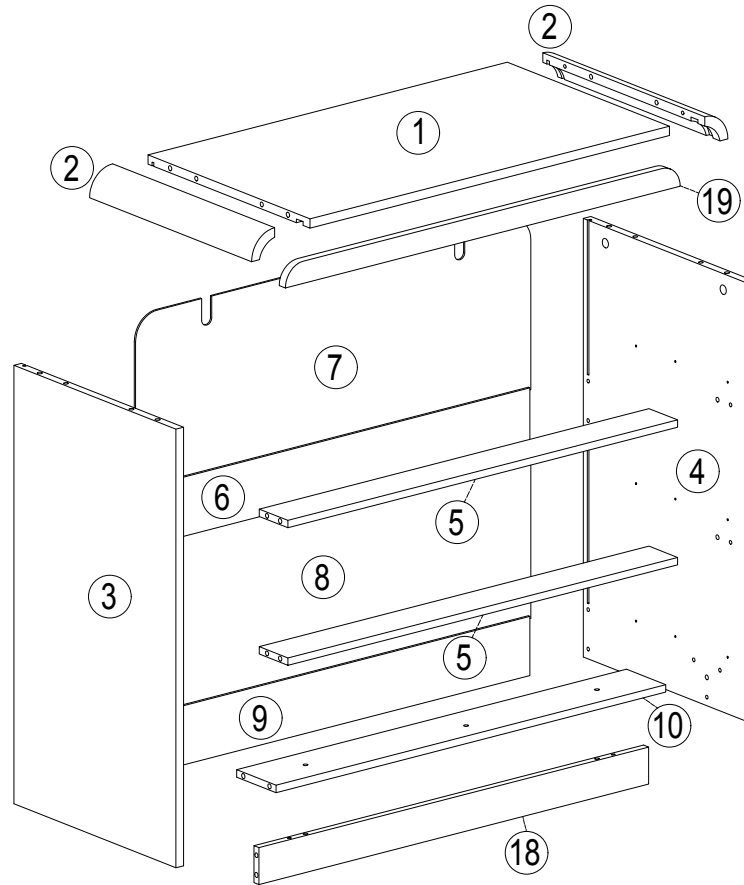
Turn cam lock clockwise to tighten.

SAFETY TIPS:Static charge may cause dust on foam - clean with a dry or damp cloth.Small foam strands may be present - handle gently and dispose of properly.Do not bur or incinerate. Check local recycling guidelines.

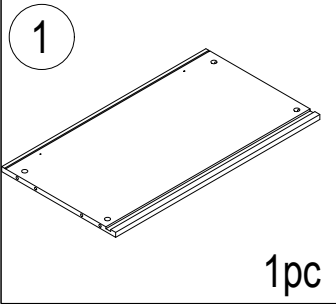
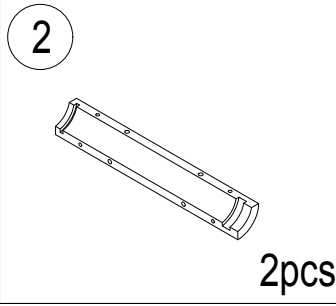
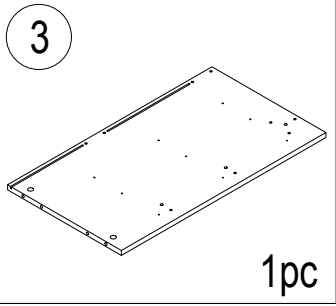
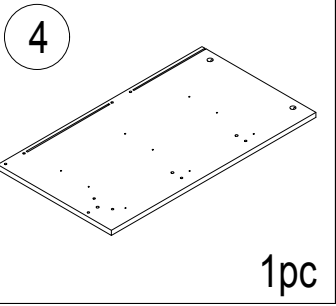
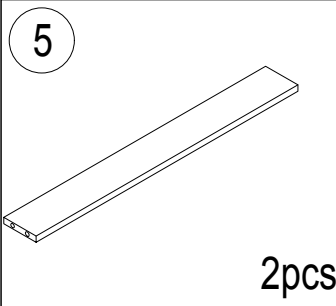
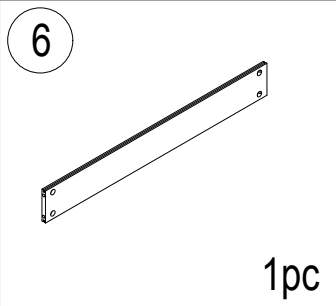
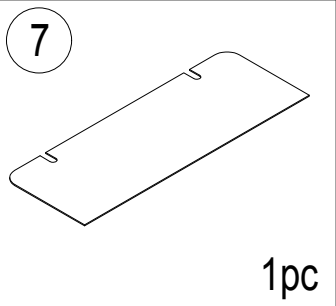
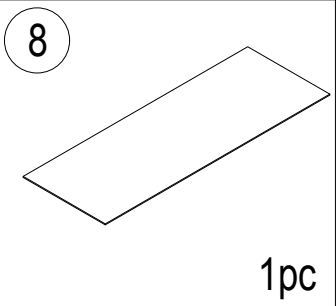
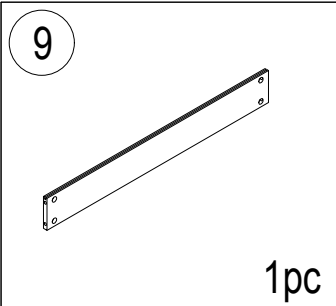
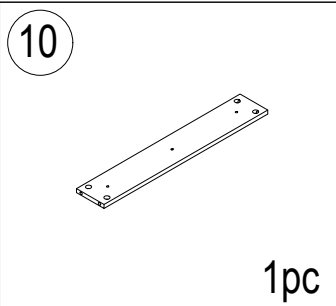
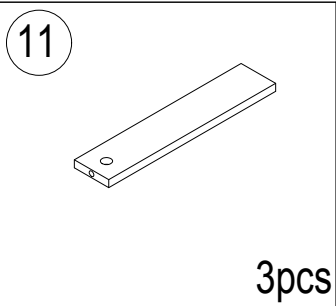
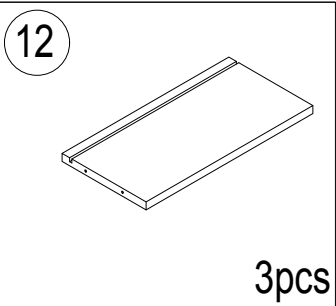
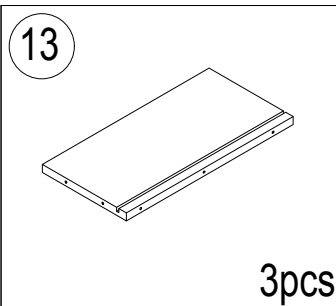
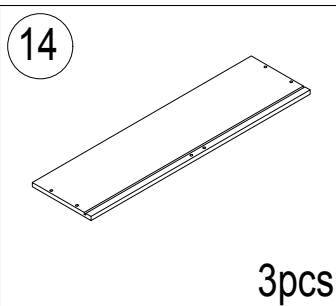
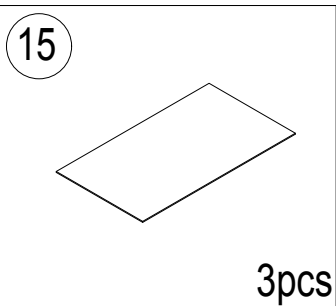
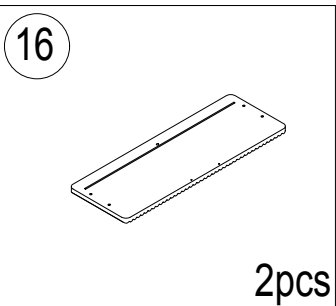
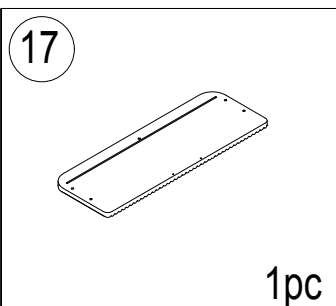
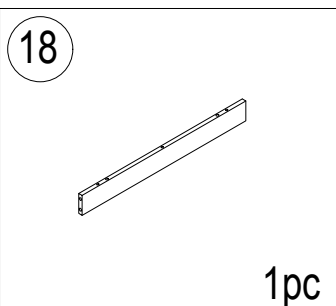
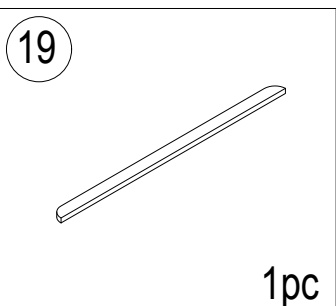
Please kindly note the following points when you assemble the sliders of the drawers



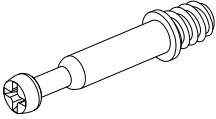


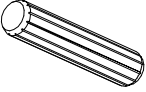
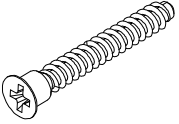
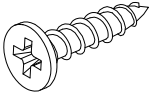
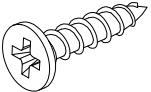
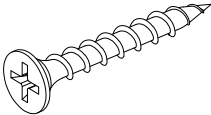
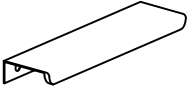
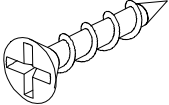
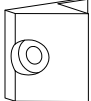

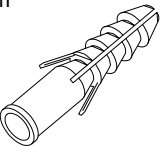
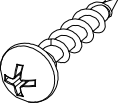
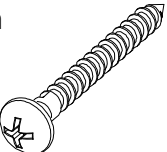
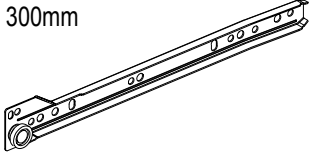
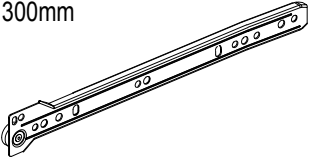
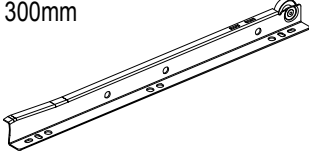
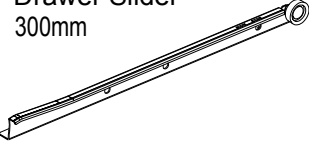
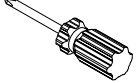
Product structure



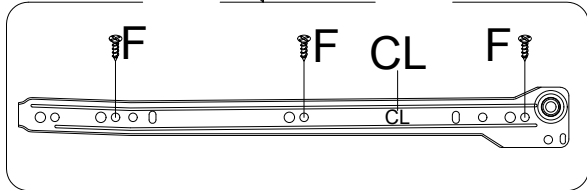
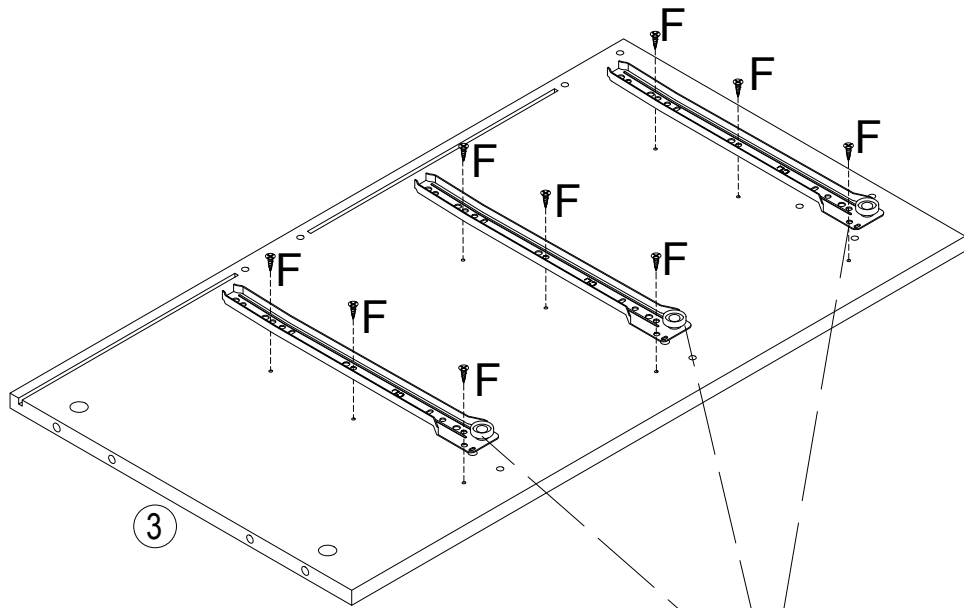
Parts-List



 <p>1</p> <p>1pc</p>	 <p>2</p> <p>2pcs</p>	 <p>3</p> <p>1pc</p>	 <p>4</p> <p>1pc</p>
 <p>5</p> <p>2pcs</p>	 <p>6</p> <p>1pc</p>	 <p>7</p> <p>1pc</p>	 <p>8</p> <p>1pc</p>
 <p>9</p> <p>1pc</p>	 <p>10</p> <p>1pc</p>	 <p>11</p> <p>3pcs</p>	 <p>12</p> <p>3pcs</p>
 <p>13</p> <p>3pcs</p>	 <p>14</p> <p>3pcs</p>	 <p>15</p> <p>3pcs</p>	 <p>16</p> <p>2pcs</p>
 <p>17</p> <p>1pc</p>	 <p>18</p> <p>1pc</p>	 <p>19</p> <p>1pc</p>	

Hardware List

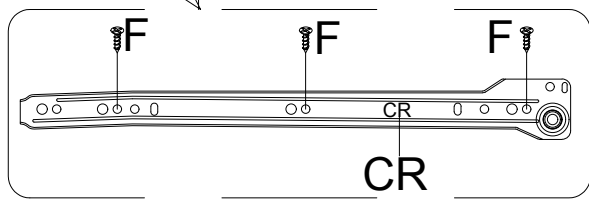
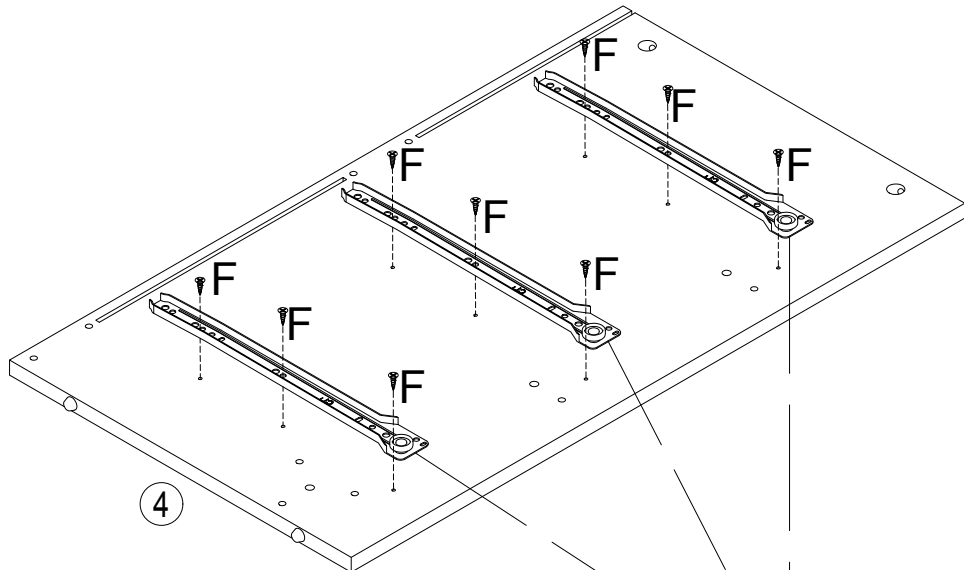
<p>No. A Quantity: 41+2 PCS Cam Bolt ø6x33.5mm</p> 	<p>No. B Quantity: 41+2 PCS Cam ø15x9.5mm</p> 	<p>No. C Quantity: 41+2 PCS Sticker ø20mm</p> 	<p>No. D Quantity: 16+1 PCS Dowel ø6x30mm</p> 
<p>No. E Quantity: 3 PCS Screw ø5x48mm</p> 	<p>No. F Quantity: 36+2 PCS Screw ø3.5x12mm</p> 	<p>No.G Quantity: 6 PCS Screw ø3.5x12mm</p> 	<p>No.H Quantity: 18+1 PCS Screw ø4x30mm</p> 
<p>No. I Quantity: 3 PCS Screw L120mm</p> 	<p>No. J Quantity: 17+1 PCS Screw ø3x16mm</p> 	<p>No. K Quantity: 17+1 PCS Back Buckle 15x15x10mm</p> 	<p>No. L Quantity: 2 PCS L-Shaped anti tipping iron bar 76x15x30mm</p> 
<p>No. M Quantity: 2 PCS Plastic Expansion ø8x40mm</p> 	<p>No. N Quantity: 2 PCS Screw ø4x12mm</p> 	<p>No.O Quantity: 2 PCS Screw ø4x38mm</p> 	<p>No. CL Quantity: 3 PCS Drawer Slider 300mm</p> 
<p>No. CR Quantity: 3 PCS Drawer Slider 300mm</p> 	<p>No. DL Quantity: 3 PCS Drawer Slider 300mm</p> 	<p>No. DR Quantity: 3 PCS Drawer Slider 300mm</p> 	<p>No.R Quantity: 1 PC Screwdriver L=150mm</p> 


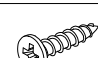
STEP 1



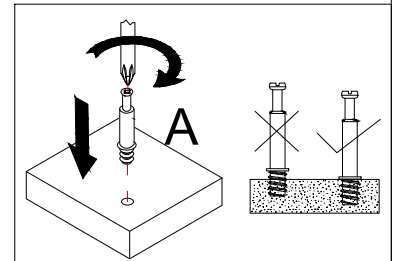
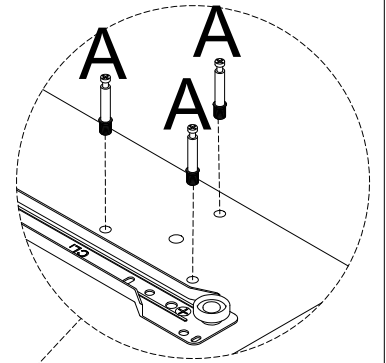
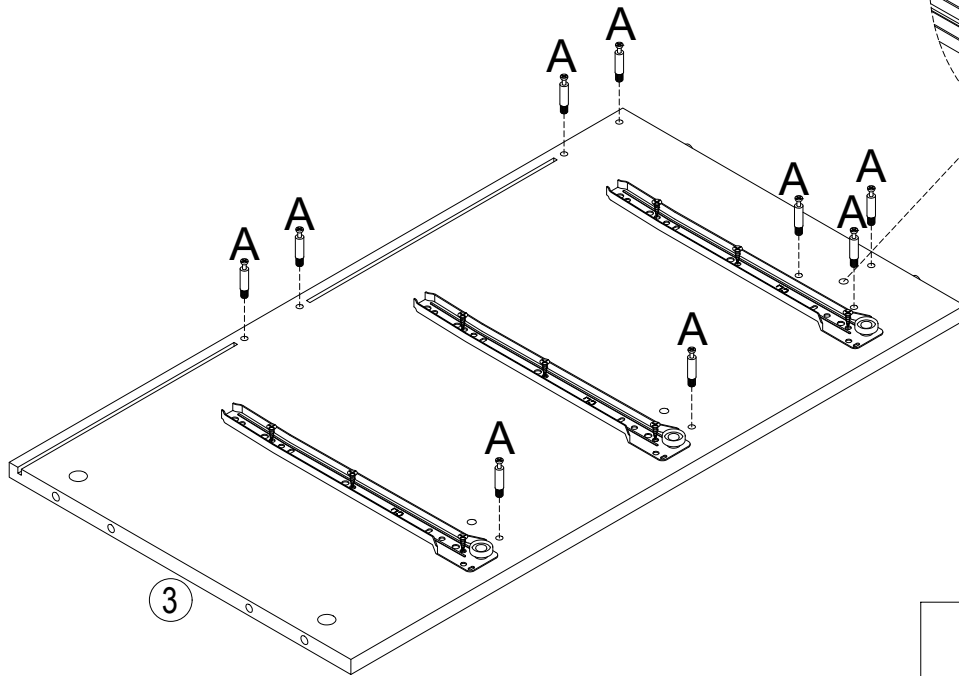
	CL*3PCS
	F*9PCS

STEP 2



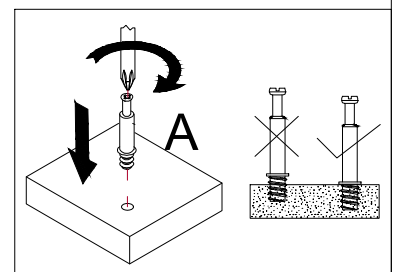
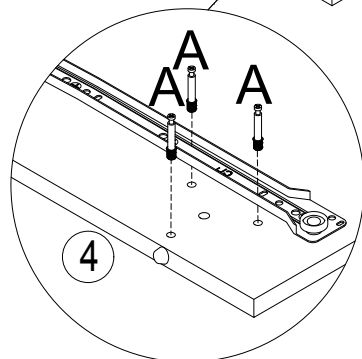
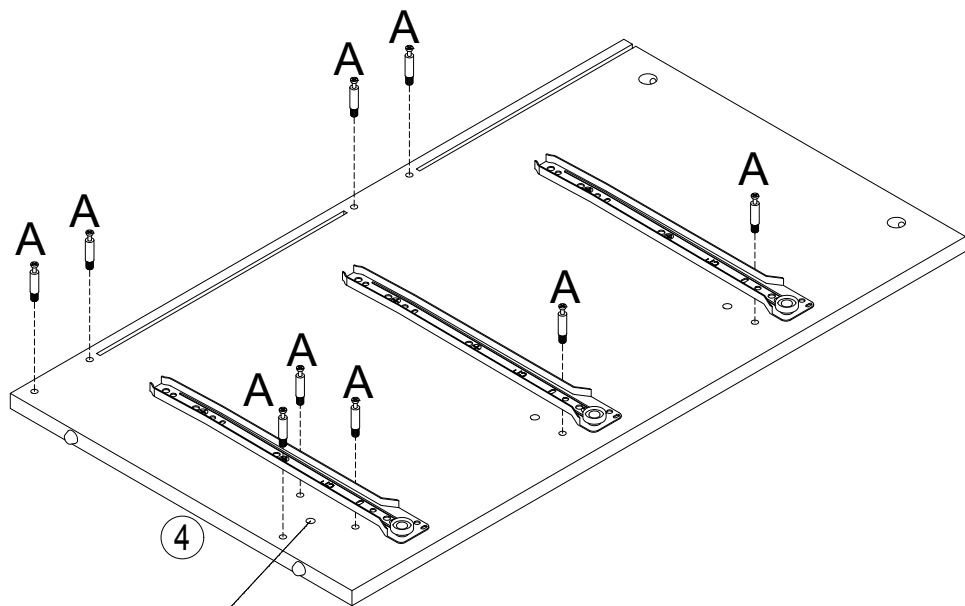
	CR*3PCS
	F*9PCS

STEP 3



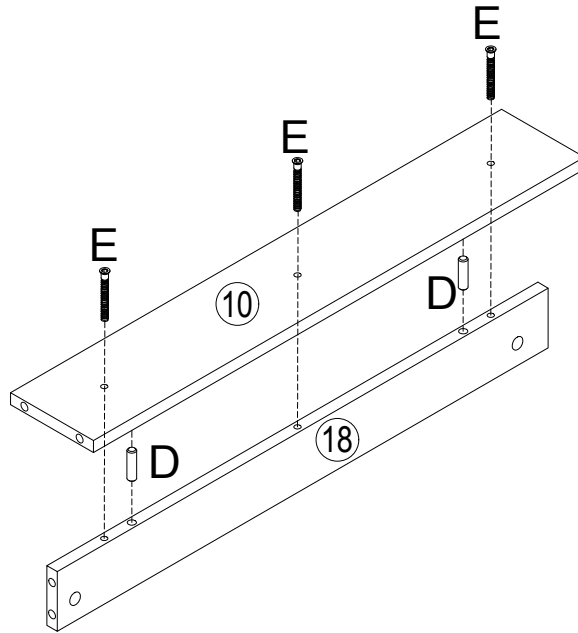
A*9PCS

STEP 4



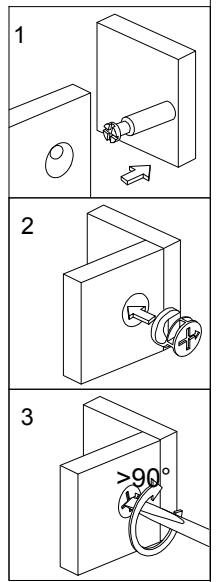
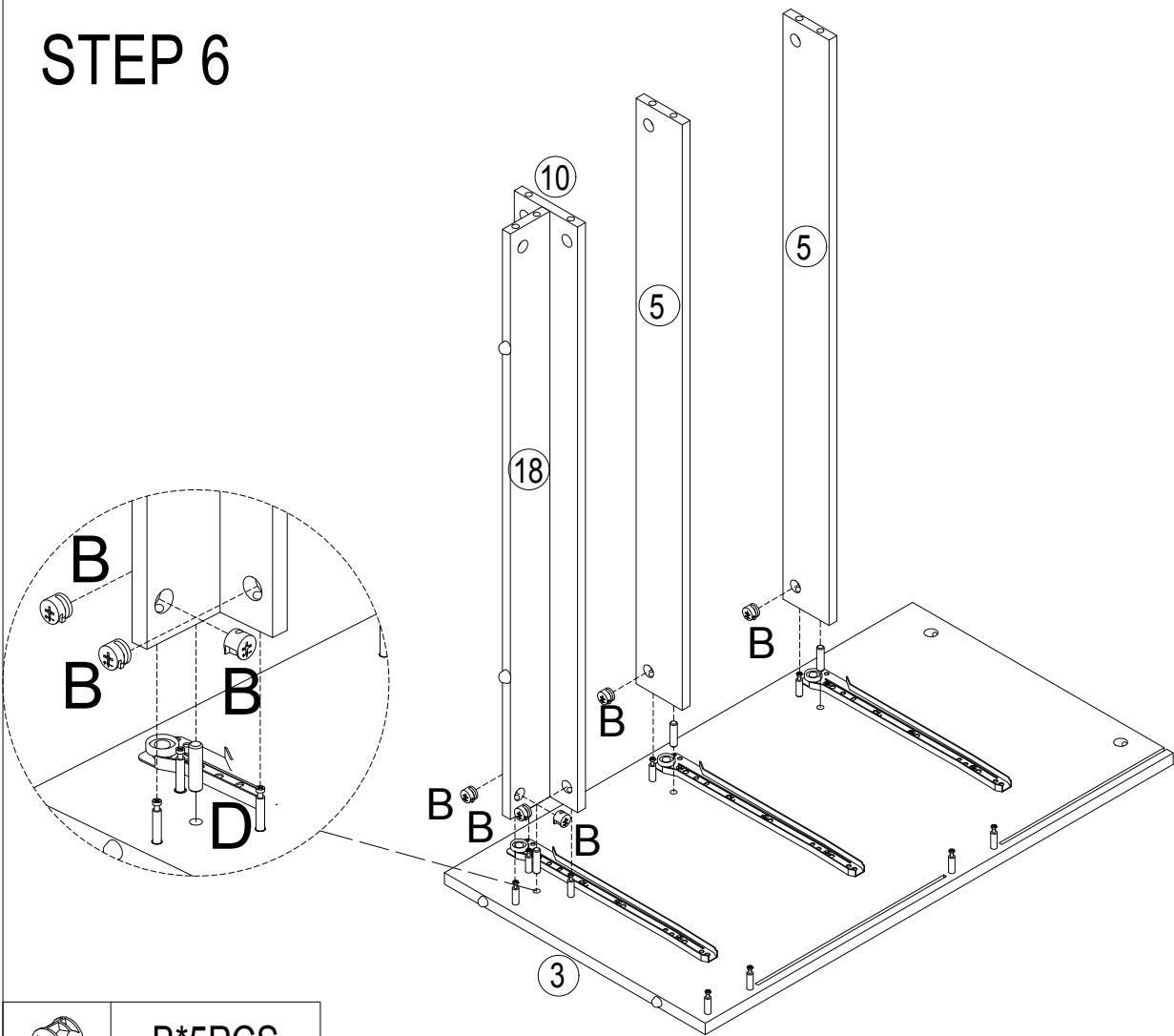
A*9PCS

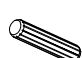
STEP 5



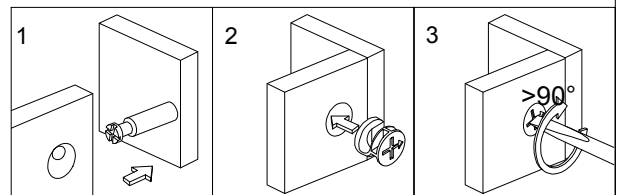
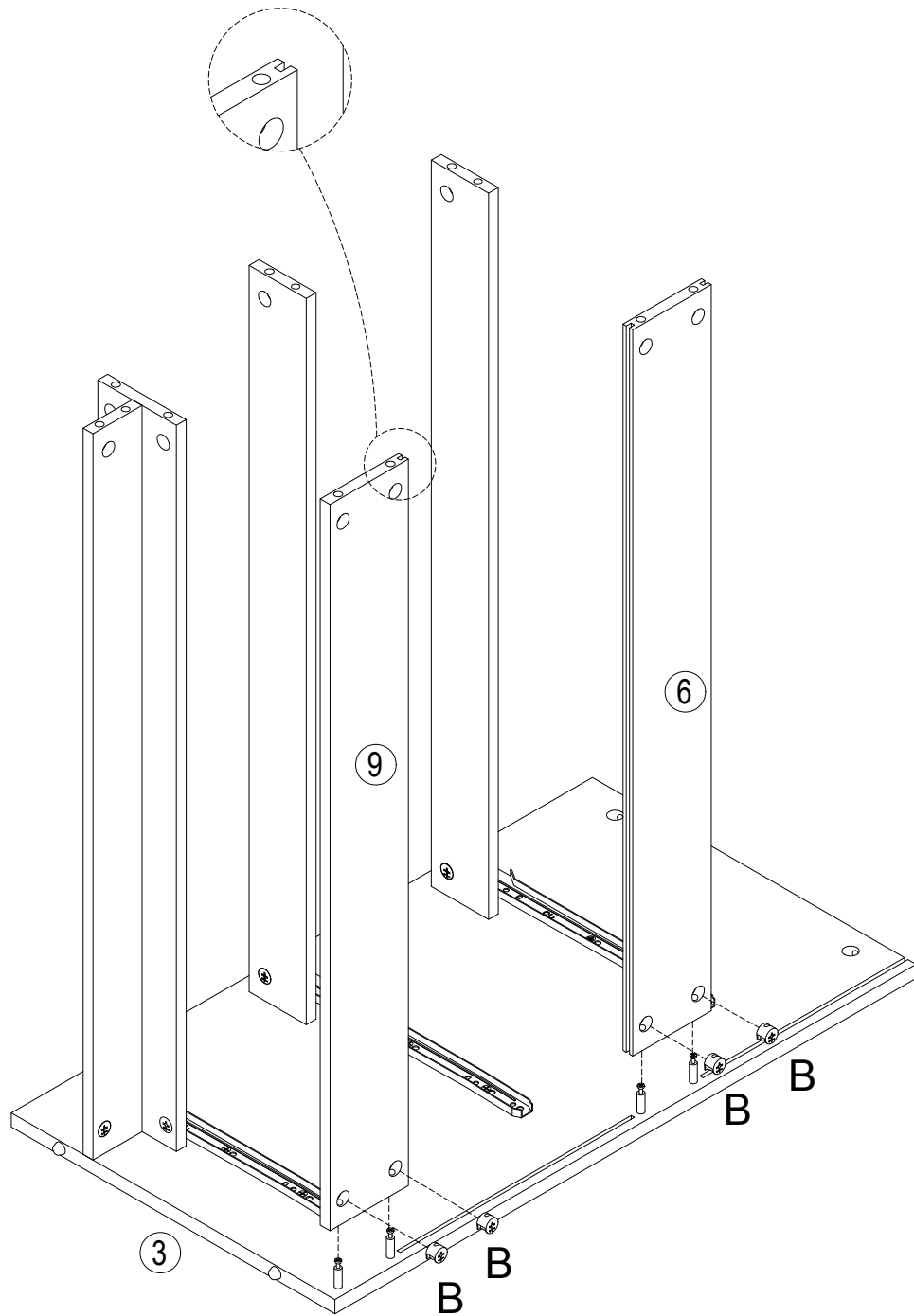
	E*3PCS
	D*2PCS

STEP 6



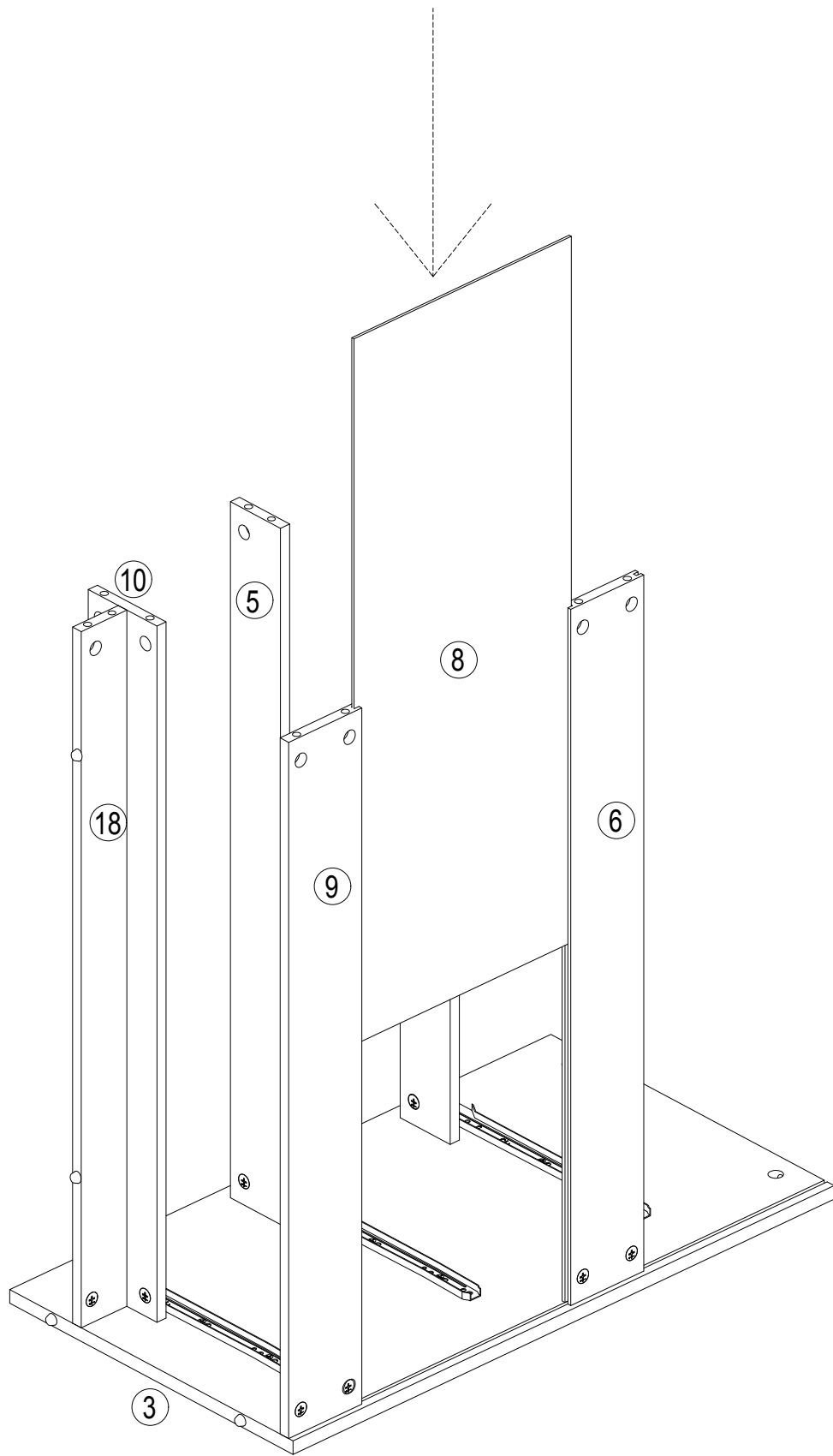
	B*5PCS
	D*3PCS

STEP 7

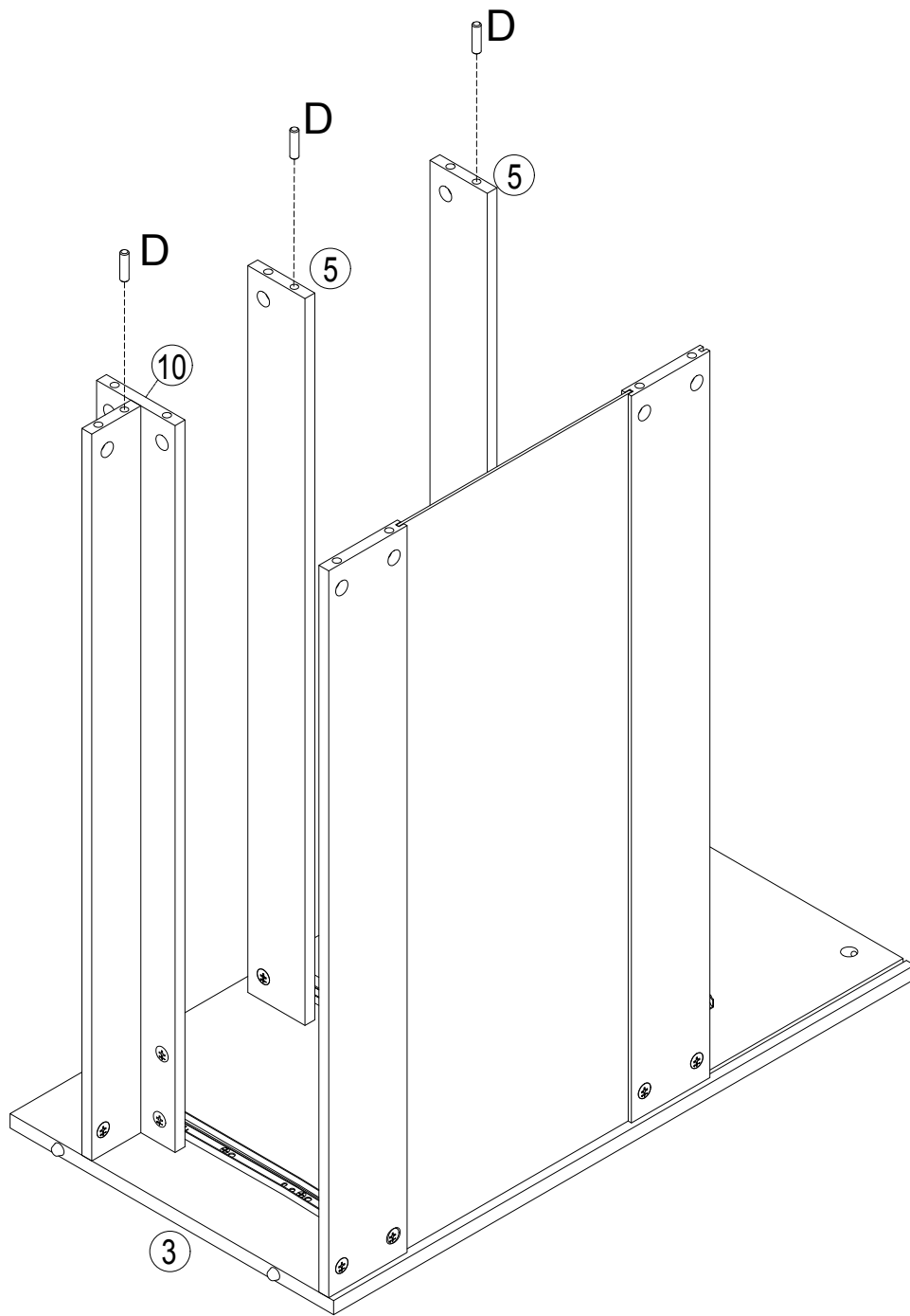


B*4PCS

STEP 8

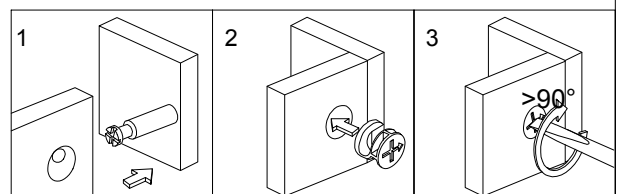
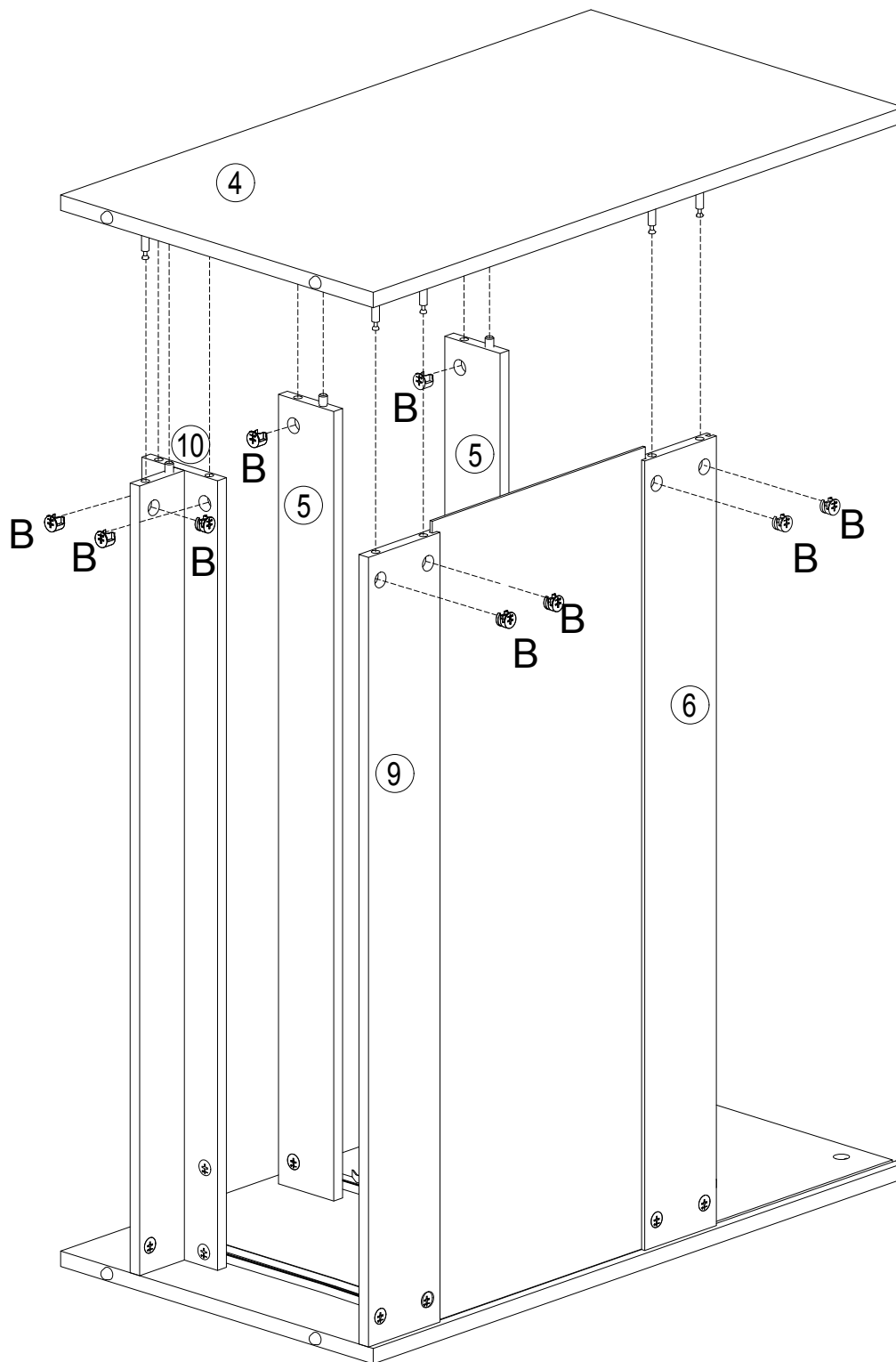


STEP 9



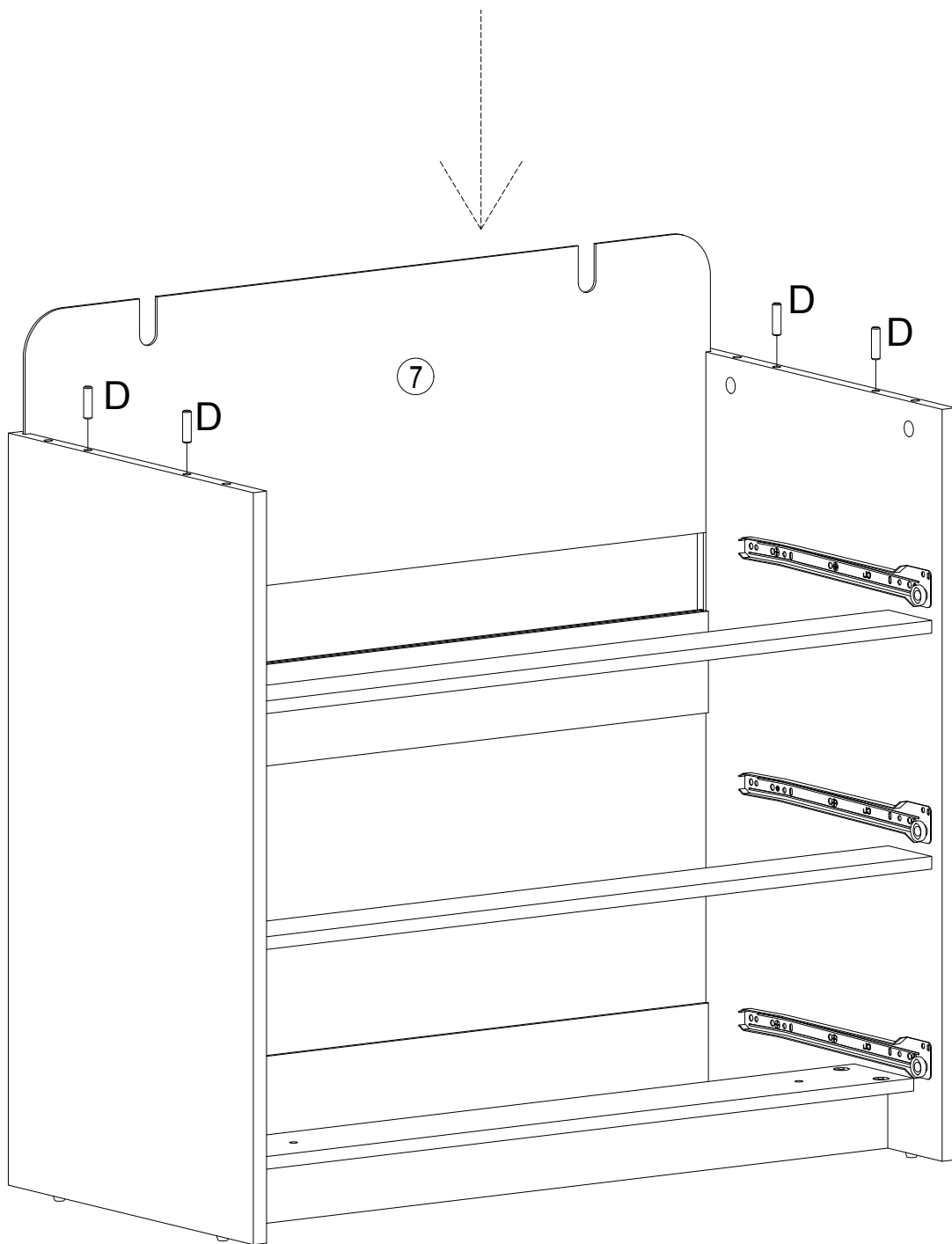
D*3PCS

STEP 10



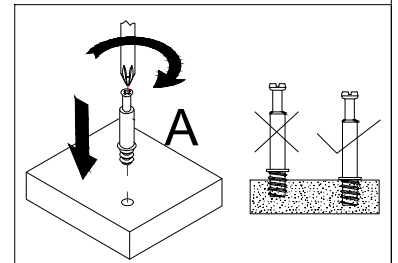
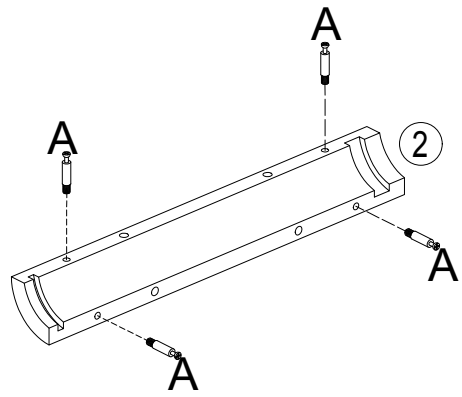
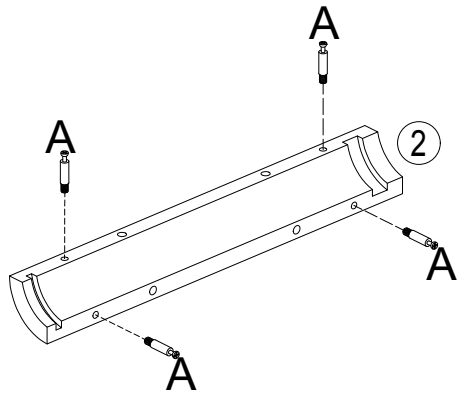
B*9PCS

STEP 11



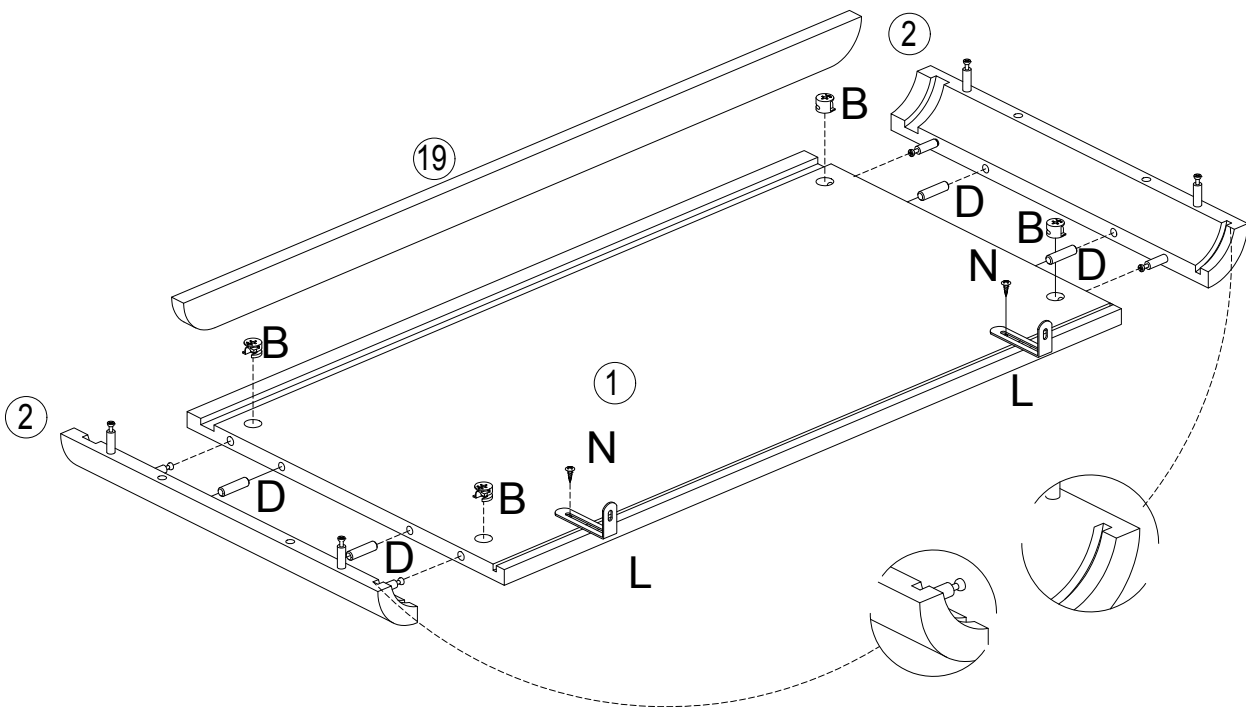
D*4PCS

STEP 12



A*8PCS

STEP 13



B*4PCS



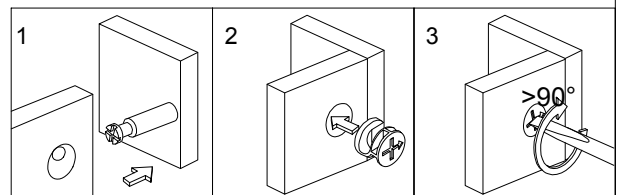
D*4PCS



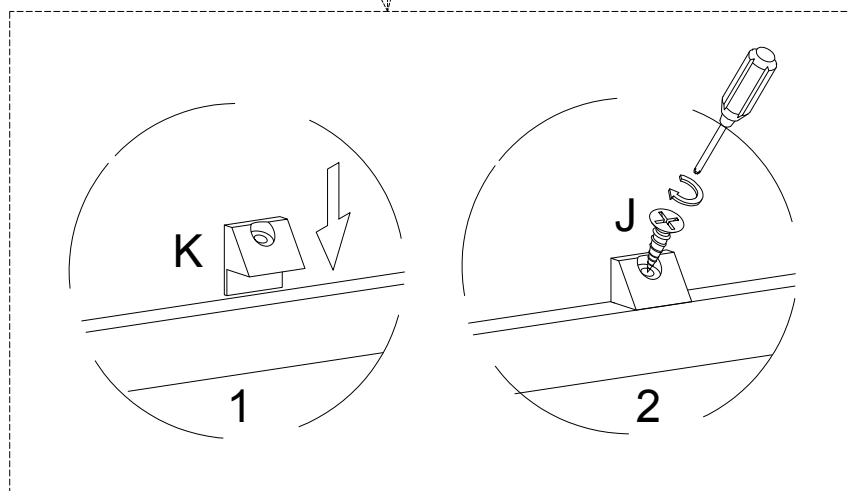
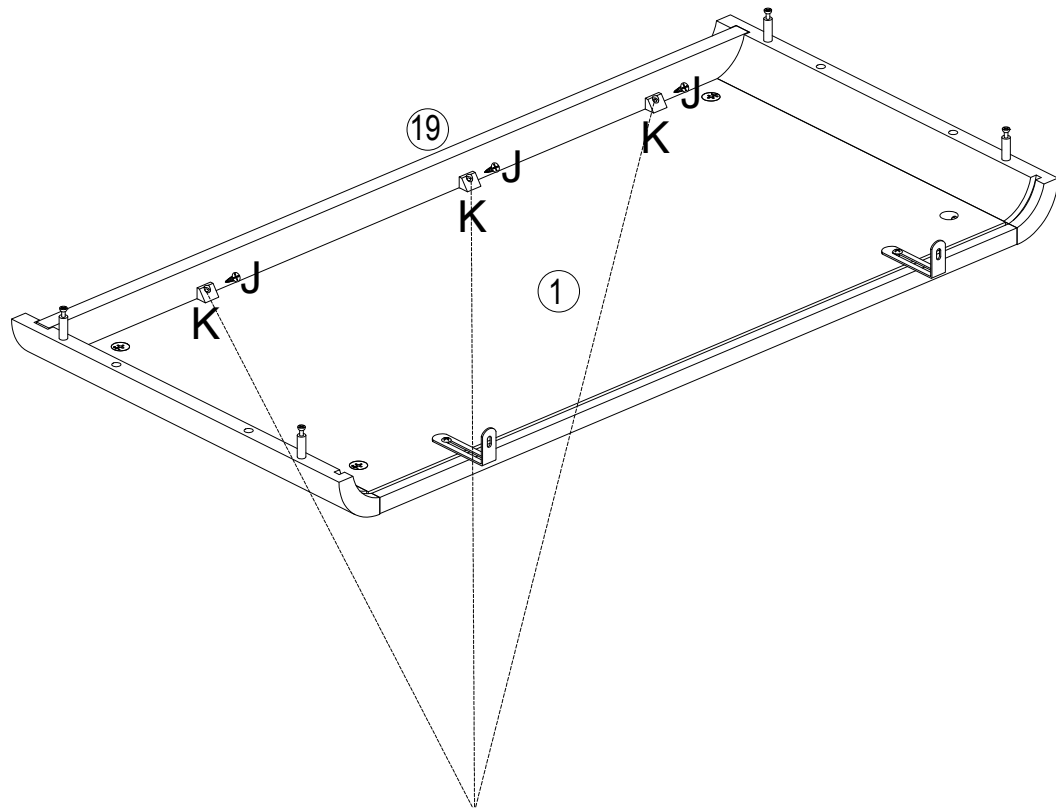
L*2PCS

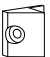


N*2PCS



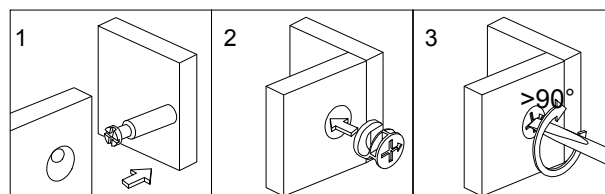
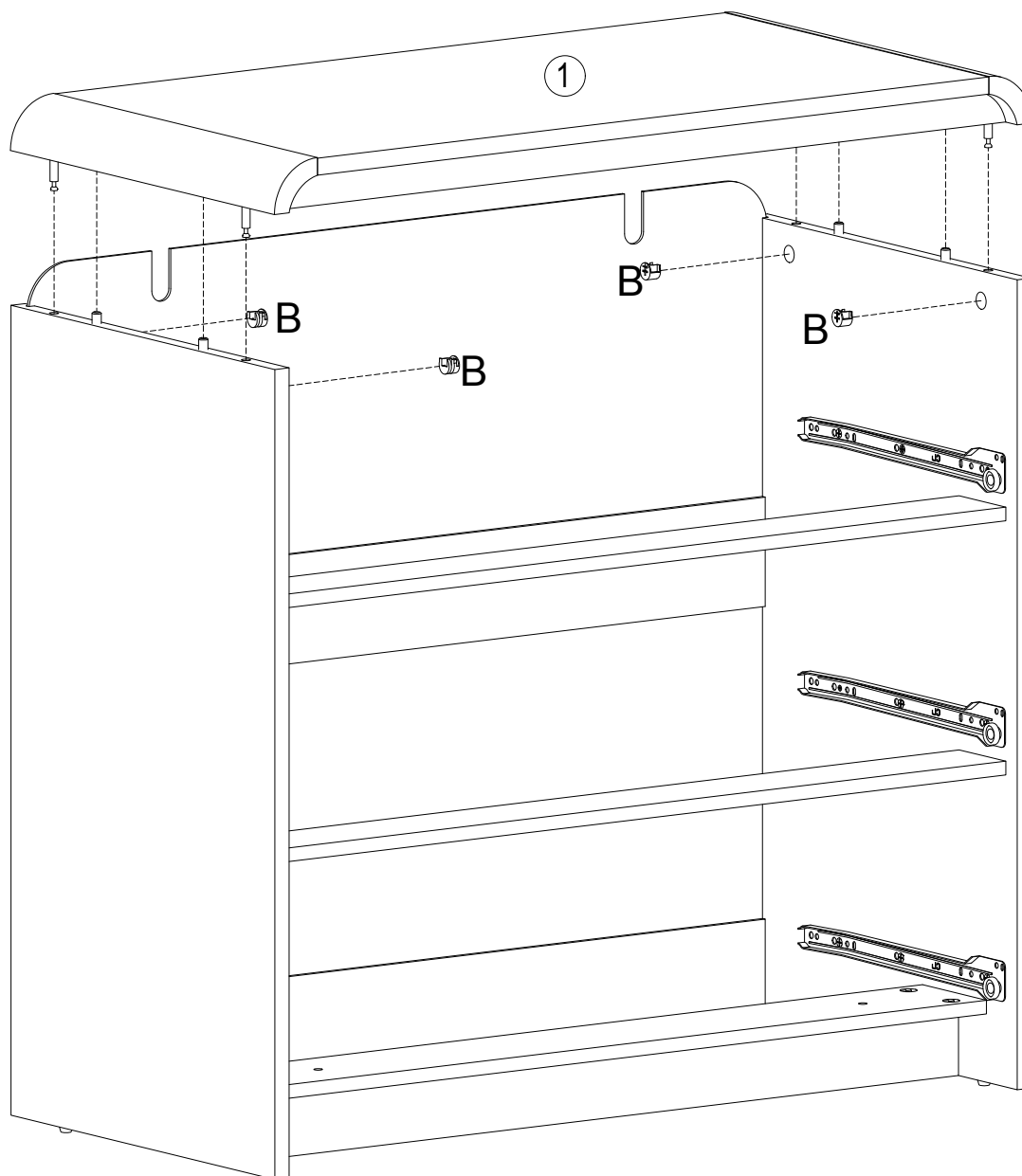
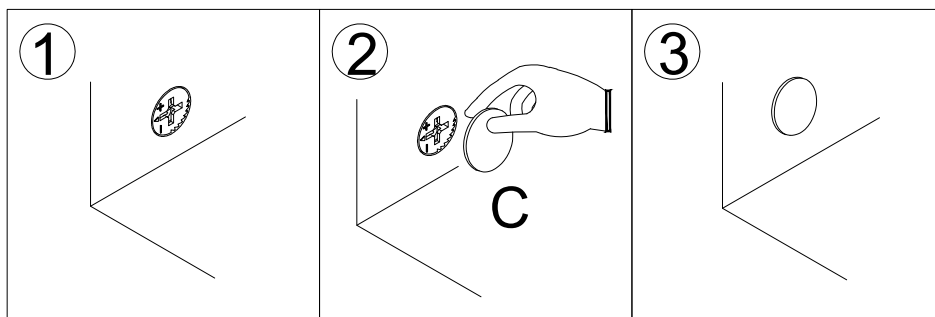
STEP 14





	J*3PCS
	K*3PCS

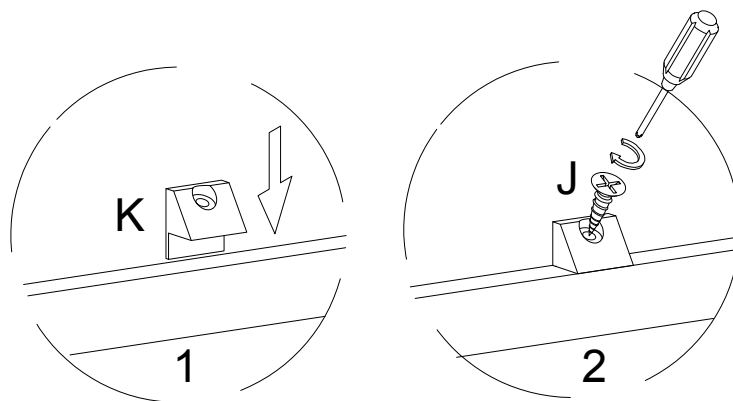
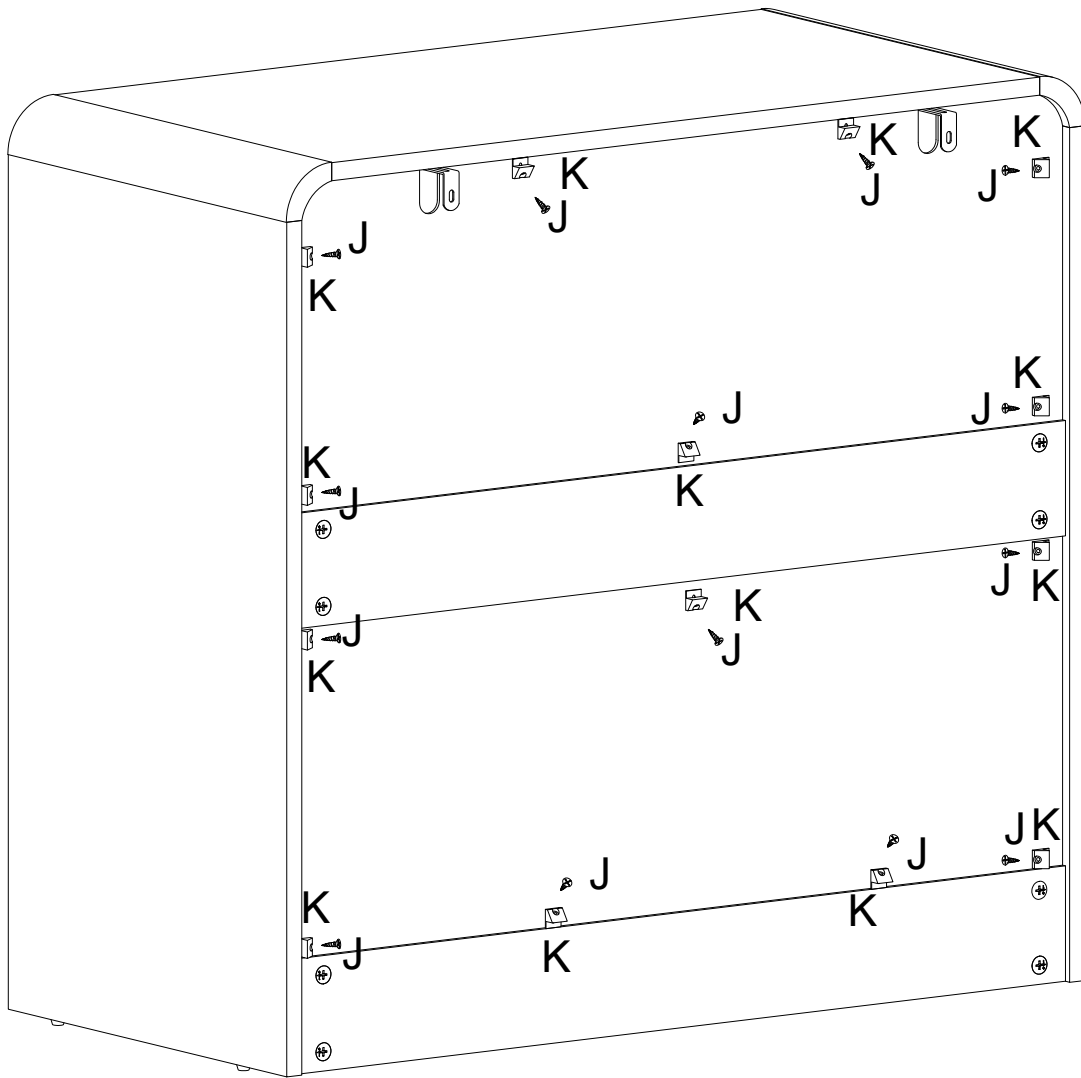
STEP 15

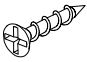
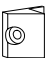
Cover the visible



	B*4PCS
	C*26PCS

STEP 16

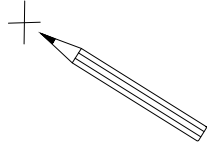


	J*14PCS
	K*14PCS

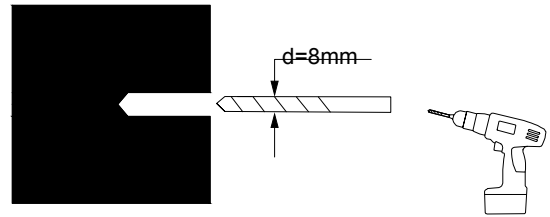
STEP 17

Method 1: For solid or concrete wall.

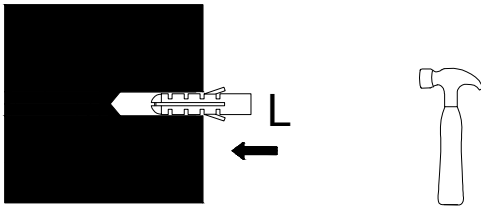
- ① 1. Choose your desired location on the wall. Have your friend hold the product in place and use a pencil to mark where the anchor will go.



- ② 2. Pre-drill holes on the wall with a drill bit that is larger than the diameter of the wall anchors.

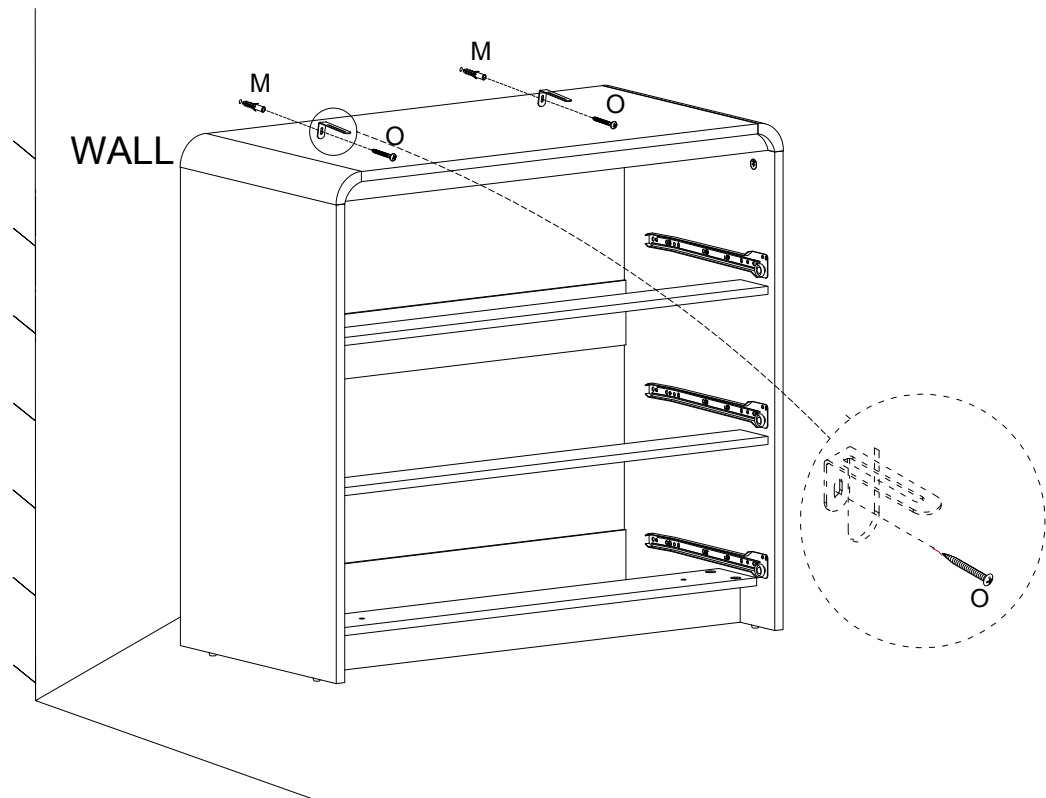
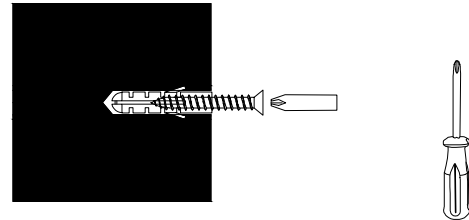


- ③ 3. Gently insert the wall anchor into the pre-drilled hole.



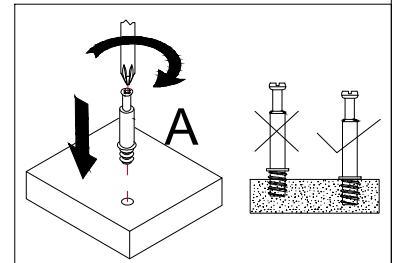
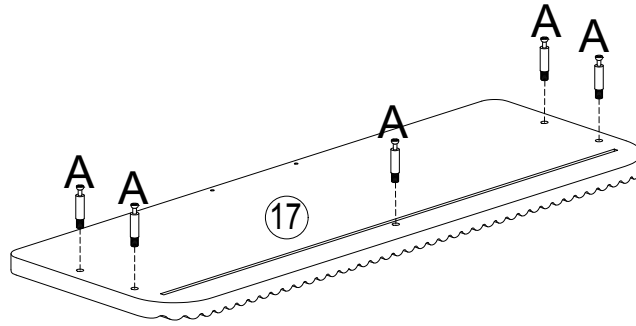
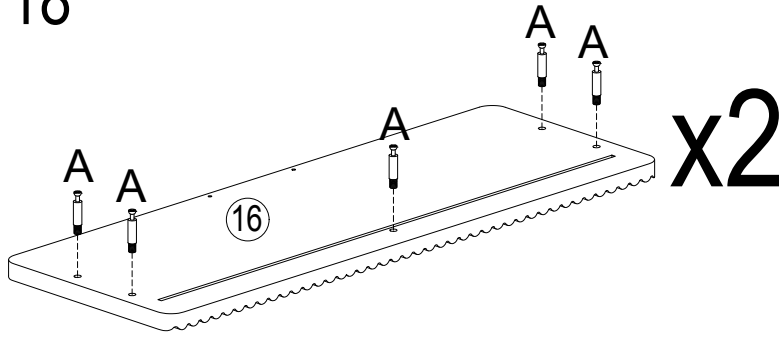
M*2PCS

- ④ 4. Insert the screws into the wall anchor with a screwdriver to complete the installation.



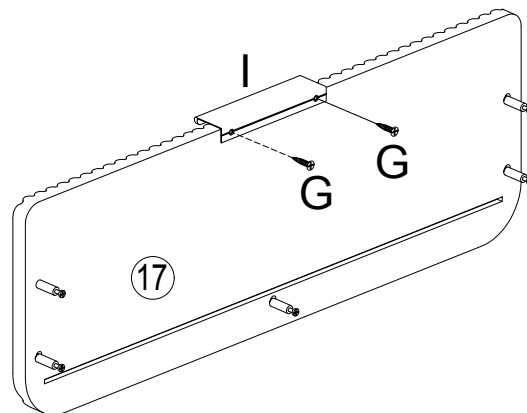
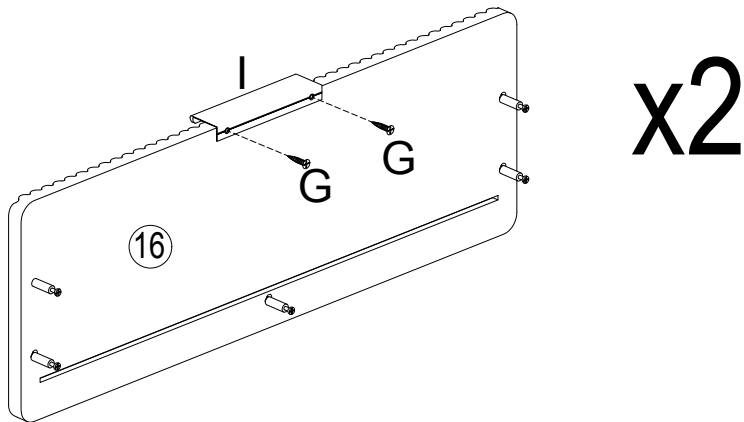
O*2PCS

STEP 18

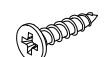


A*15PCS

STEP 19

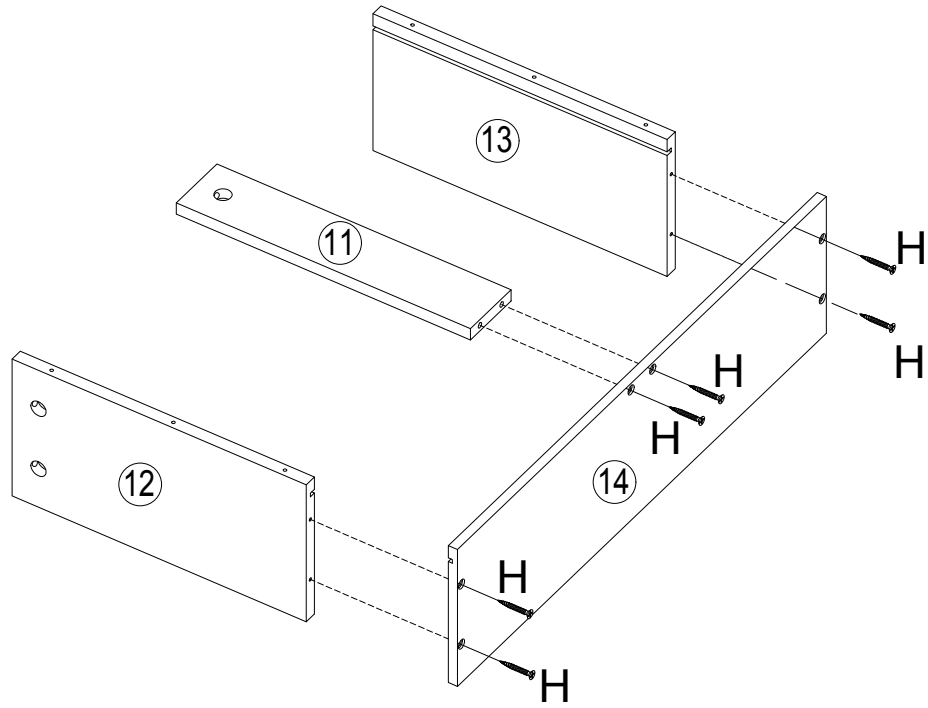


I*3PCS



G*6PCS

STEP 20

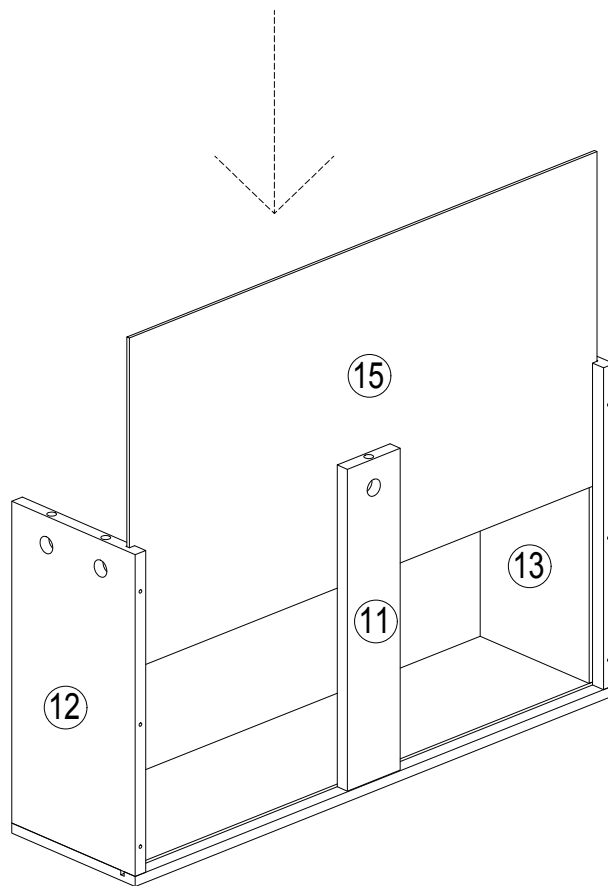


x3



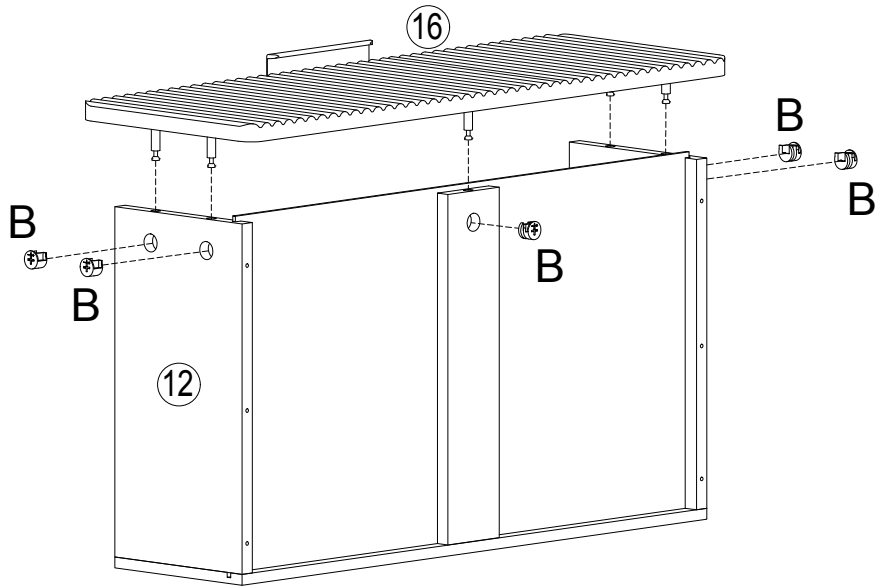
H*18PCS

STEP 21



x3

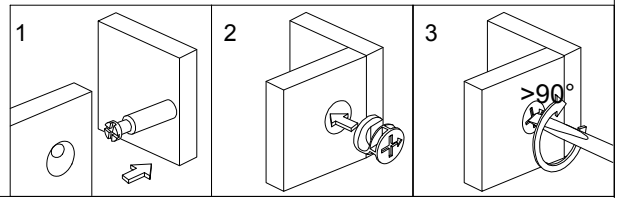
STEP 22



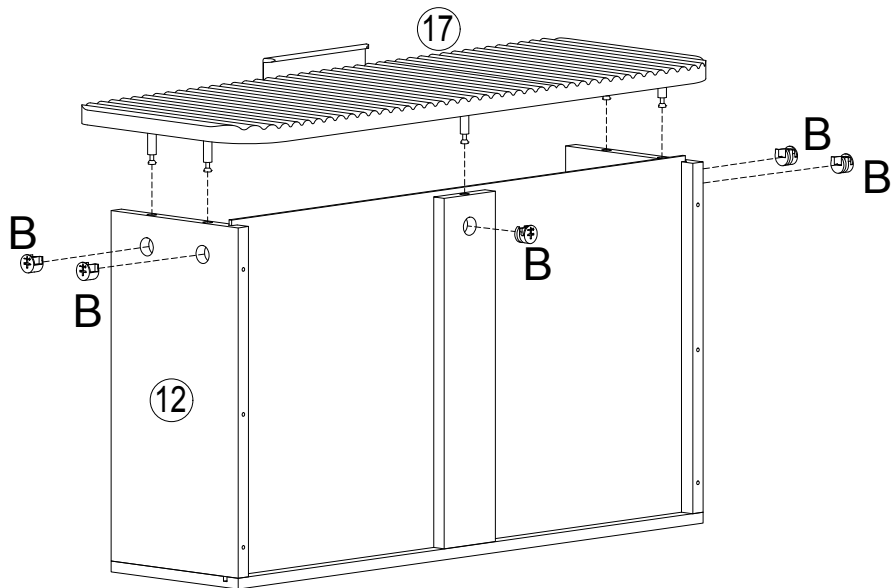
x2



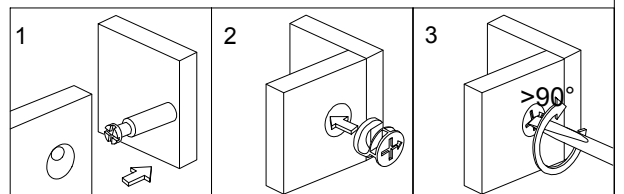
B*10PCS



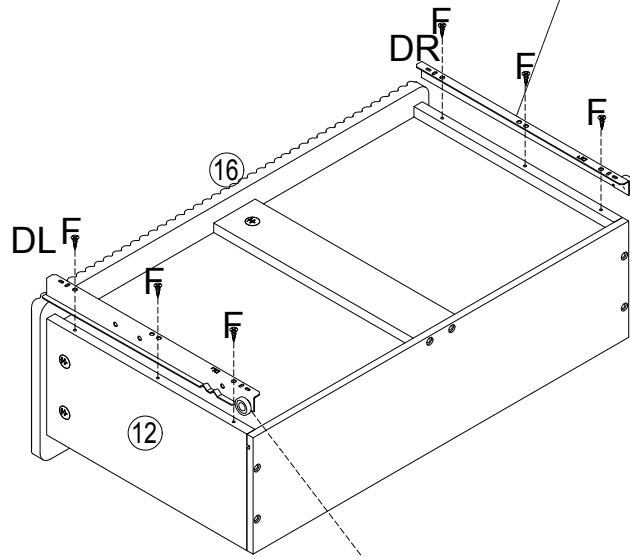
STEP 23



B*5PCS



STEP 24



x2



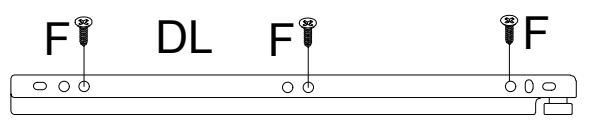
DL*2PCS



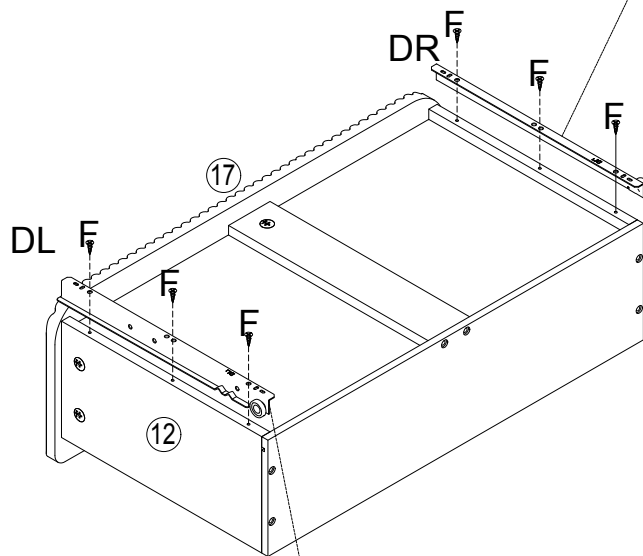
DR*2PCS



F*12PCS



STEP 25



DL*1PCS



DR*1PCS



F*6PCS

