

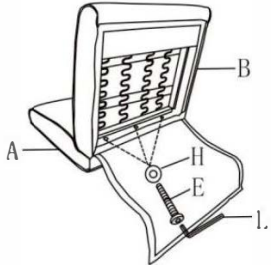
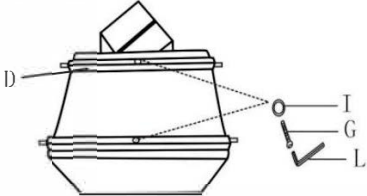
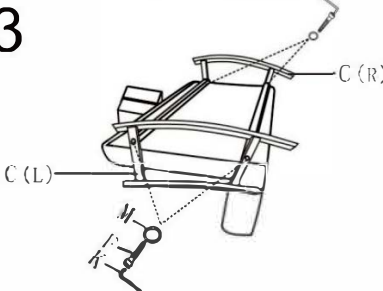



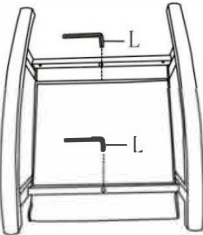
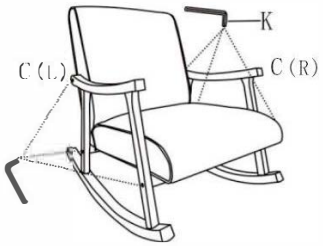


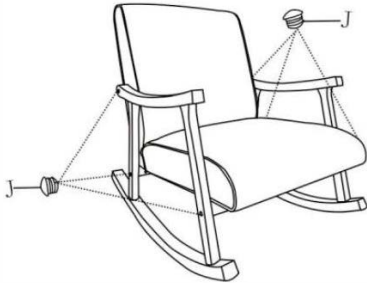








Installation & Assembly

<p>A * 1</p> 	<p>I * 2</p>  <p>φ6*φ13mm</p>	<p>1</p>  <p>Back</p> <p>Fully tighten the screws to 100%.</p>	<p>2 Insert the screws into the holes, but only tighten them halfway (50%).</p>  <p>Turn the item upside down and place it on a flat surface for assembling the bottom part.</p>	<p>3</p>  <p>Tighten the screws to 50% only.</p>						
<p>H * 1</p> 	<p>J * 6</p> 				<p>4</p>  <p>Tighten the screws to 50% only.</p>	<p>5</p>  <p>Fully tighten the screws (100%) after all screws have been inserted.</p>	<p>6</p>  <p>Fully tighten the screws (100%) after all screws have been inserted.</p>			
<p>C * 1</p> 	<p>K * 1</p>  <p>M8</p>							<p>7</p> 	<p>8</p> 	
<p>L * 1</p> 	<p>L * 1</p>  <p>M6</p>	<p>D * 2</p> 	<p>M * 6</p>  <p>φ8*φ13mm</p>	<p>E * 3</p>  <p>M8*60MM</p>						