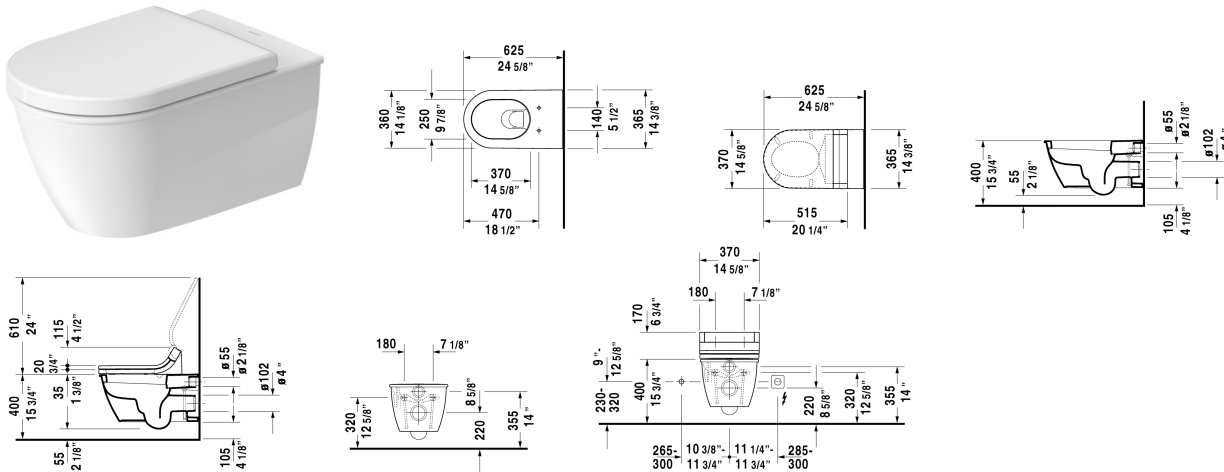


**Darling New Toilet wall-mounted ♿ # 254409..92 / 254409..92**

**< 14 3/5" Inch >**



| Toilet wall-mounted  | Dimension              | Weight  | Order number |
|--|------------------------|---------|--------------|
| washdown model, Durafix included, suitable for SensoWash Starck, cUPC® listed*, WaterSense® listed   |                        |         |              |
| <b>Colors</b>  |                        |         |              |
| 00 White 20 HygieneGlaze (an antibacterial ceramic glaze that provides almost indefinite effectiveness)  |                        |         |              |
| <b>Variant</b>   |                        |         |              |
| ♣ 1.6/0.8 gpf  | 14 3/5" x 24 5/8" Inch | 60.4 lb | 254409..92   |
| ♣ 1.6/0.8 gpf  | 14 3/5" x 24 5/8" Inch | 60.4 lb | 254409..92   |
| <b>Infobox</b>   |                        |         |              |
| * Complies with following standards: ASME A112.19.2/CSA B45.1 and ASME A112.19.14, Durafix for concealed installation is included, Wall-mounted toilet is ADA compliant, when installed with a seat height of 17" - 19" from the finished floor, For suitable SensoWash® shower-toilet seats, please see matrix on page xxx, In-wall tank & carrier and actuator plate required for installation |                        |         |              |
| Sanitary ceramics with the special WonderGliss surface finish will remain clean and attractive-looking for a long time to come.<br>When ordering WonderGliss please add a "1" as eleventh digit to the model number.   |                        |         |              |
| Noise reduction gasket for wall-mounted toilet   |                        | 0.7 lb  | 005064       |
| Actuator plate A1, for toilet, plastic mechanical actuation, for surface mounted installation, dual flush, mounting frame, mounting hardware included, push rods, front plate plastic  | 8 1/2" x 5 3/4" Inch   | 0.7 lb  | WD5008       |

**Darling New Toilet wall-mounted**  # 254409..92 / 254409..92

| < 14 3/5" Inch > |

|  |                                       |               |
|--|---------------------------------------|---------------|
| <p>Toilet in-wall tank &amp; carrier, Standard WaterSense® listed, For 2"x4" and 2"x6" wall installation, for toilets with a projection of &lt;= 24 5/8", adjustable feet 0" - 9 1/2", SensoWash ready, mechanical front flush actuation, includes in-wall tank, marking of filling height, dual flush, insulated against condensation, Scope of delivery, HDPE wall-mounted toilet connection bend DN 90/90, PE wall-mounted toilet connection set DN 90, wall-mounted mounting rods M12, mounting hardware included, 2 bolt caps, cUPC® listed*, Load capacity = 880 lbs</p> | <p>23 1/4" x 45 1/4" Inch 35.3 lb</p> | <p>WD1022</p> |
| <p><b>Suitable products</b></p>  |                                       |               |
| <p>SensoWash® Starck shower-toilet seat for Starck 2, Starck 3 and Darling New* Rear-, Lady- and Comfortwash, individual adjustment of water-, air- and seat surface temperature as well as nozzle position and jet strength, power actuated lid and seat, night light, 2 individually programmable user profiles, remote control included, self-cleaning wand, on / off-button, Quick release: easy seat unit removal and attachment, 14 5/8" x 20 1/4" Inch</p>  | <p>14 5/8" x 20 1/4" Inch</p>         | <p>610000</p> |
| <p>Toilet seat ring elongated, open front, hinges plastic, without slow close,</p>   |                                       | <p>006431</p> |
| <p>Toilet seat ring elongated, open front, hinges plastic, with slow close,</p>  |                                       | <p>006439</p> |
| <p>Toilet seat and cover elongated, hinges stainless steel, without slow close,</p>  |                                       | <p>006332</p> |
| <p>Toilet seat and cover elongated, hinges stainless steel, removable, with slow close,</p>  |                                       | <p>006339</p> |

*All drawings contain the necessary measurements which are subject to standard tolerances. They are stated in inch & mm and are non-binding. Exact measurements, in particular for customized installation scenarios, can only be taken from the finished ceramic piece.*